

# ORE124

24" Solid Door Refrigerator • Outdoor Collection



Stainless Solid



Stainless Solid (Lock)

## Key Features

- Convection cooling system provides a quick cool down and consistent temperature
- Extended lower interior maximizes storage options
- Digital touch pad control with blue LED display
- Stainless steel cabinet, toe-kick, and full-wrap door
- Volume of 5.4 cu ft holds up to 117 bottles (12 oz) or 194 cans (12 oz)
- Temperature range: 34°F - 60°F
- Bright white LED lighting
- White interior
- Three adjustable tempered glass shelves
- Stainless steel handle (7/8" diameter)
- Field reversible door is shipped right-hand hinged
- Built-in or freestanding
- Four adjustable leveling legs
- Door lock model available

## Model Details

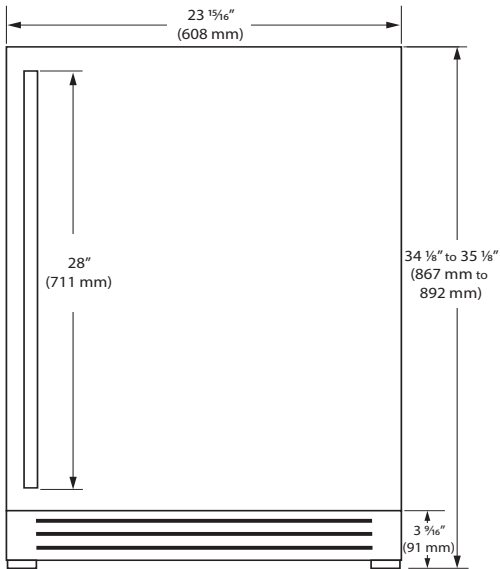
| Model         | Voltage/Hz | Door Swing       | Finish                 | Shipping Weight |
|---------------|------------|------------------|------------------------|-----------------|
| UORE124-SS01A | 115 / 60   | Field Reversible | Stainless Solid        | 109 lb          |
| UORE124-SS31A | 115 / 60   | Field Reversible | Stainless Solid (Lock) | 109 lb          |

## ACCESSORIES

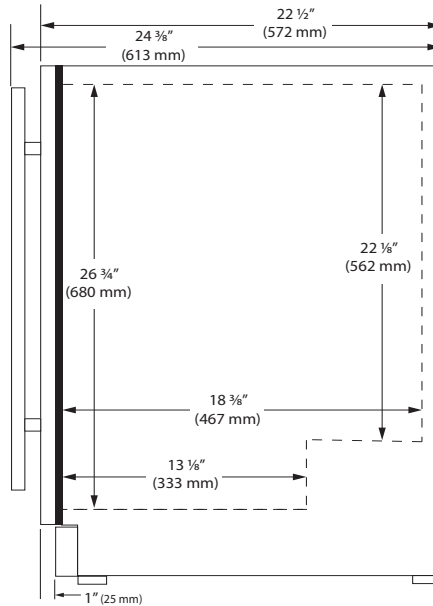
| Model         | Description      | Finish    | Shipping Weight |
|---------------|------------------|-----------|-----------------|
| ULAFREESTANDS | Freestanding Kit | Stainless | 3 lb            |

### Dimensions

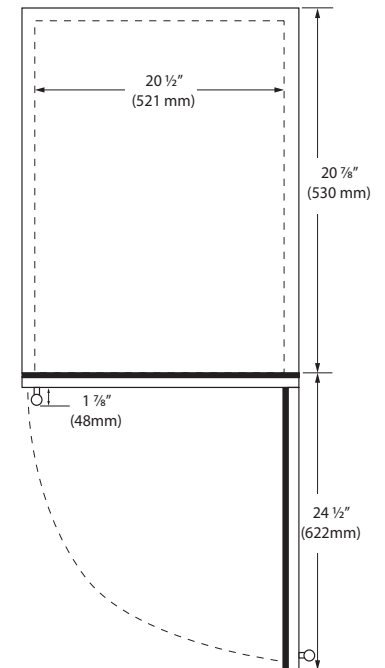
#### Front



#### Side



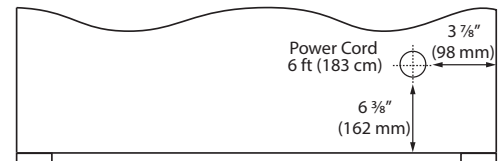
#### Top



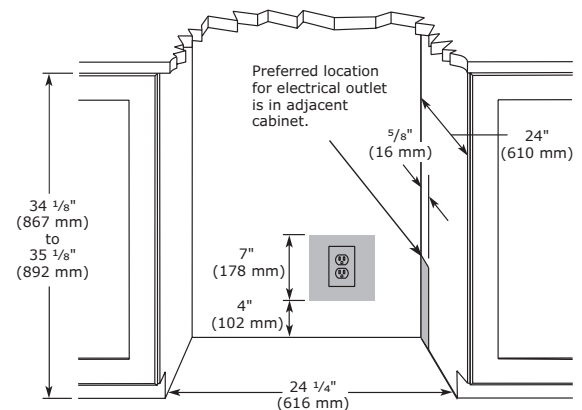
### Specifications

|                                   |                    |
|-----------------------------------|--------------------|
| Model                             | ORE124             |
| Amps: Running                     | 1.2                |
| Capacity: Bottle 12 oz            | 117                |
| Capacity: Can (12 oz)             | 194                |
| Capacity: Volume (cu ft)          | 5.4                |
| Capacity: Wine Bottle (750 ml)    | N/A                |
| Dimensions: Product Depth         | 22 1/2" / 572 mm   |
| Dimensions: Product Height        | 34 1/8" / 867 mm   |
| Dimensions: Product Width         | 23 15/16" / 608 mm |
| Energy Consumption: Avg. Per Year | 240 kWh            |
| ENERGY STAR                       | Tier 3             |
| Product Weight: Max               | 109 lb             |
| Refrigerant Type:                 | R600a              |
| Sabbath (Star K Certified)        | Yes                |
| Temperature Range                 | 34°F - 60°F        |

#### Back



#### Cabinet Cut-Out



### Warranty

- 1 Year (parts & labor) / 5 year sealed system (parts)
- **2 Year (parts & labor) / 5 year sealed system (parts) upgrade at no cost with product registration**



See complete warranty for details

### Installation Notes

- 24" cutout width sufficient if door protrudes beyond adjacent cabinetry
- No additional clearance is needed for ventilation
- Do not obstruct front grille air flow



Please visit [u-line.com](http://u-line.com) to view this model's User Guide & Service Manual. All Specifications are subject to change without notice.