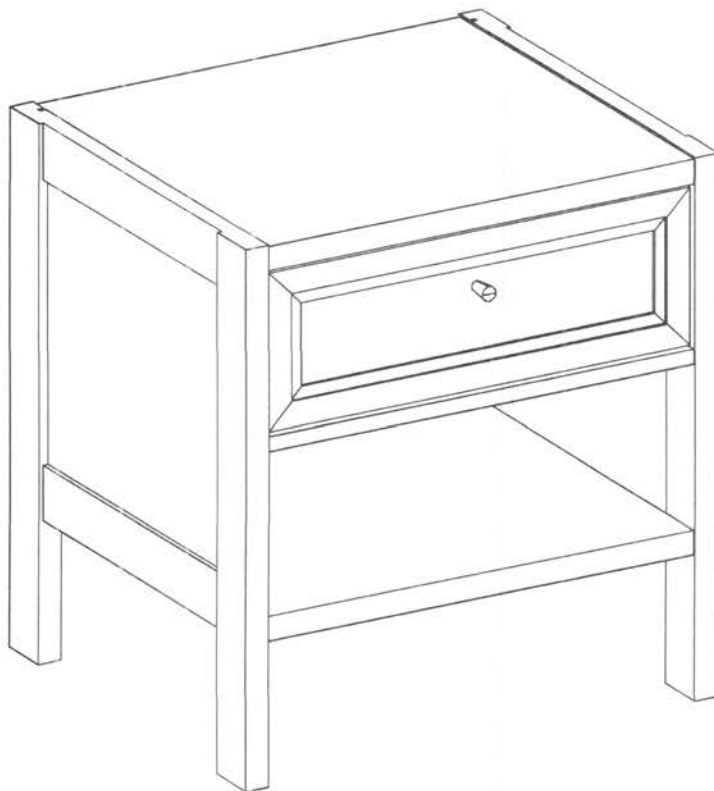


# ASSEMBLY INSTRUCTIONS

# MOD-7118

V1.09.09.23



### Questions? Contact us!

609.256.9000 • [cs@modway.com](mailto:cs@modway.com)  
[www.modway.com](http://www.modway.com)

\*modway

# Let's get started!

\*modway



Read through all of the instructions before starting



Care instructions are listed in the last step of this manual



Approx. 45 minutes assembly time



Make sure you have all parts and components before discarding any packing materials



2 people recommended for assembly

**Only use hand tools to assemble this item.** Do not use power tools. Do not tighten bolts or screws completely until all hardware is lined up and inserted into the holes.

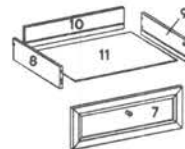
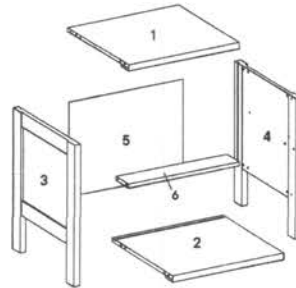
Do not over-tighten screws and bolts to avoid stripping the hardware or cracking the item.

Assemble your item on a flat, carpeted area, with plenty of space to work. This will prevent damage and scratches to your floors or the item while you're assembling the product.

Keep all components and packaging out of reach of children or animals to avoid risk of choking or suffocation.

## Furniture components:

1	Top Board	x1	11	Bottom Drawer	x1
2	Bottom Board	x1			
3	Left Board	x1			
4	Right Board	x1			
5	Backboard	x1			
6	Drawer Support	x1			
7	Front Drawer	x1			
8	Left Drawer	x1			
9	Right Drawer	x1			
10	Rear Drawer	x1			



## Provided hardware:

A		Cam Lock Ø15 mm	x10	I		Backply Stopper	x12
B		Cam Bolt Ø7.5 x 32 mm	x12	J		Handle	x1
C		Cam Cover Ø17 mm	x6	K		Screw M4 x 20 mm	x1
D		Plastic Dowel M6 x 30 mm x14		L		Screw M6 x 8 mm	x4
E		Cam Cap Ø17 mm	x4	M		Screw M10 x 33.5 mm	x2
F		Cam Cover Ø15 mm	x2	N		Drawer Rail	x1
G		Screw M6 x 13 mm	x4	O		Cam Lock Ø12 mm	x2
H		Screw M4 x 19 mm	x12				

## What you need:

Phillips Head Screwdriver

**Wait!**

Missing parts or hardware? Need assistance?

Contact us before returning your item. We're here to help!

609.256.9000 • [cs@modway.com](mailto:cs@modway.com)

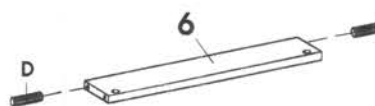
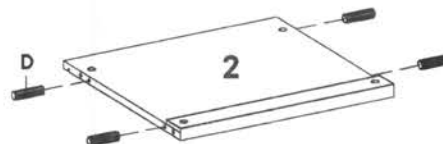
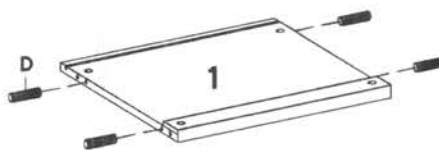
## Step 1

### HARDWARE

- D** Plastic Dowel M6 x 30 mm x10

### COMPONENTS

- 1** Top Board x1  
**2** Bottom Board x1  
**6** Drawer Support x1



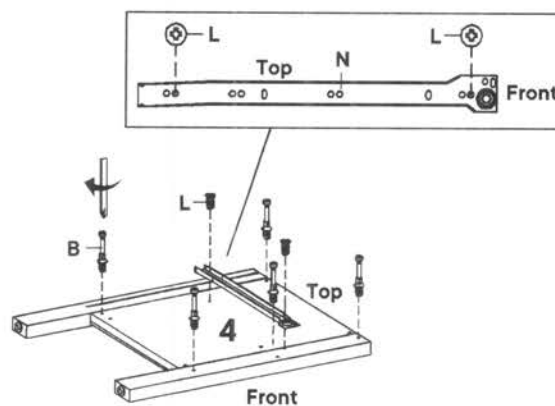
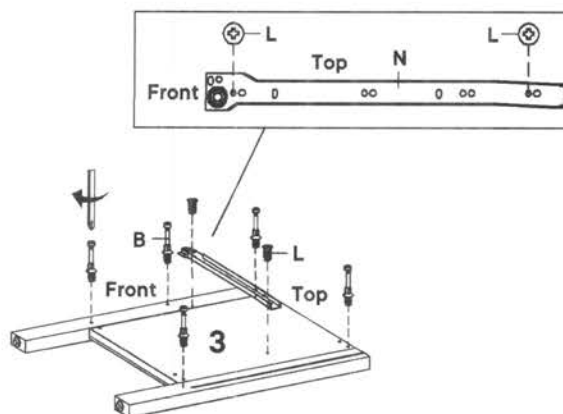
## Step 2

### HARDWARE

- B** Cam Bolt  $\varnothing 7.5 \times 32$  mm x10  
**L** Screw M6 x 8 mm x4  
**N** Drawer Rail x1

### COMPONENTS

- 3** Left Board x1  
**4** Right Board x1



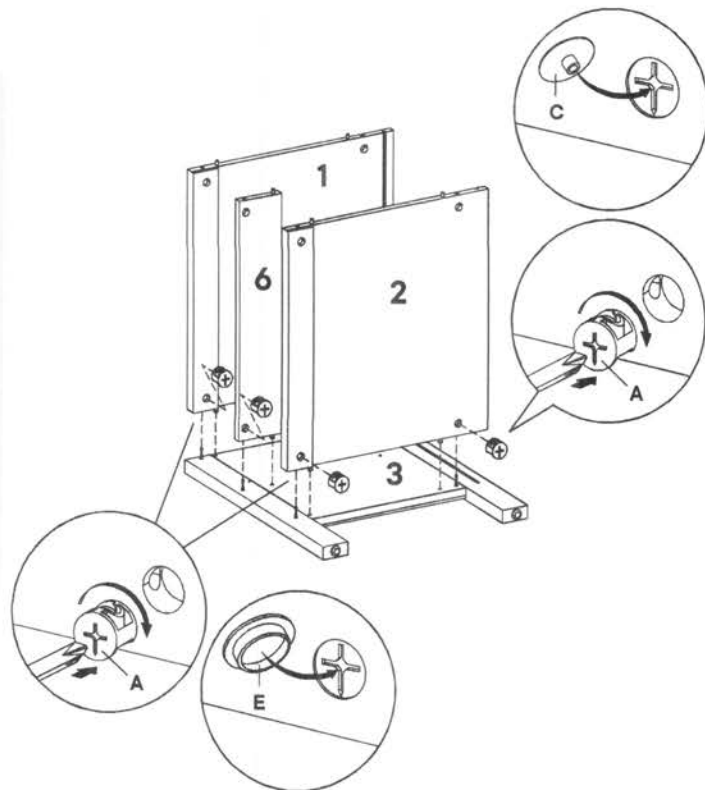
## Step 3

### HARDWARE

<b>A</b>	Cam Lock Ø15 mm	x5
<b>C</b>	Cam Cover Ø17 mm	x3
<b>E</b>	Cam Cap Ø17 mm	x2

### COMPONENTS

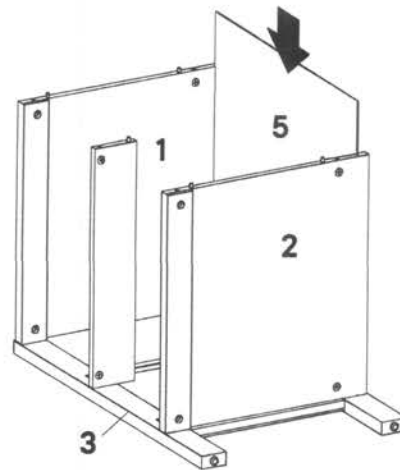
<b>1</b>	Top Board	x1
<b>2</b>	Bottom Board	x1
<b>3</b>	Left Board	x1
<b>6</b>	Drawer Support	x1



## Step 4

### COMPONENTS

<b>1</b>	Top Board	x1
<b>2</b>	Bottom Board	x1
<b>3</b>	Left Board	x1
<b>5</b>	Backboard	x1



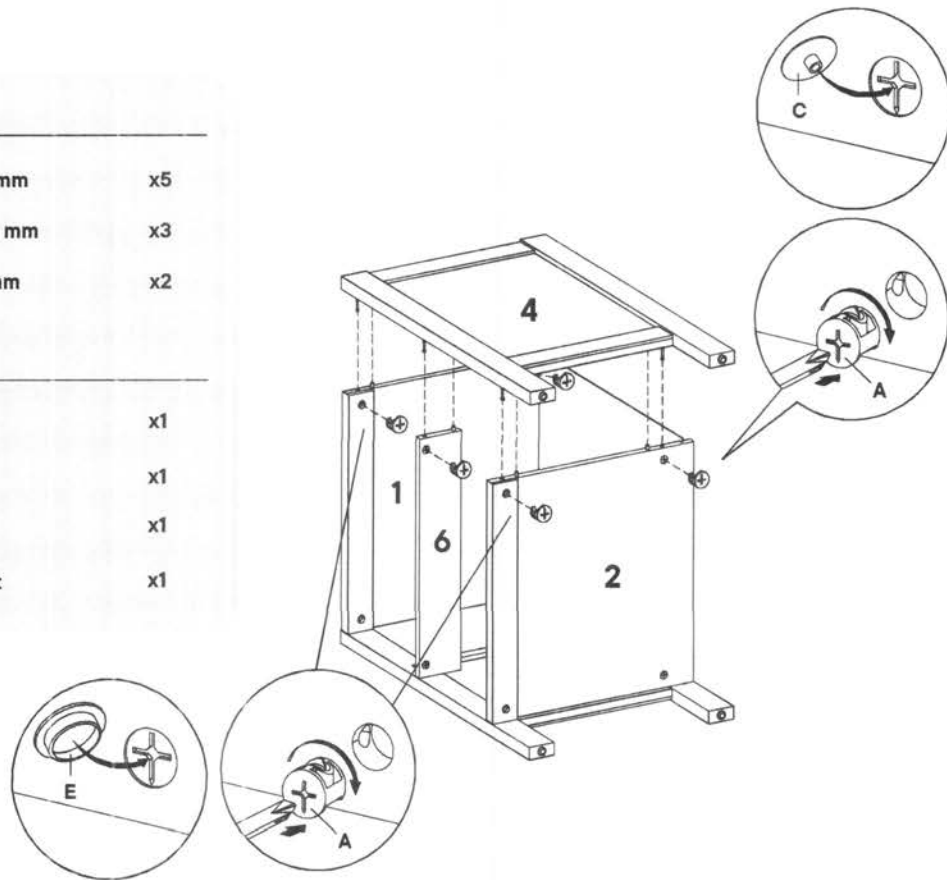
## Step 5

### HARDWARE

<b>A</b>	Cam Lock Ø15 mm	x5
<b>C</b>	Cam Cover Ø17 mm	x3
<b>E</b>	Cam Cap Ø17 mm	x2

### COMPONENTS

<b>1</b>	Top Board	x1
<b>2</b>	Bottom Board	x1
<b>4</b>	Right Board	x1
<b>6</b>	Drawer Support	x1



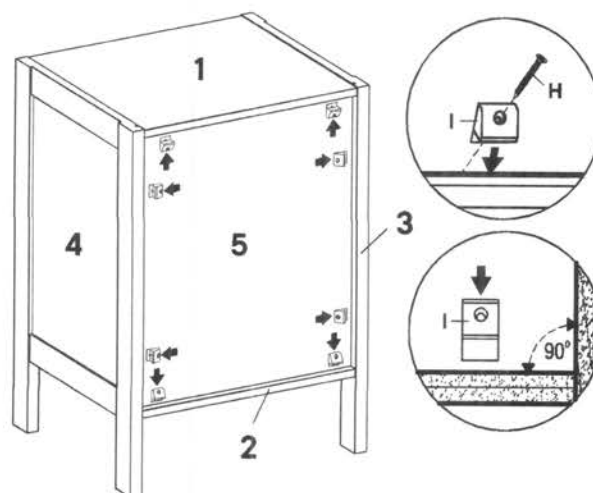
## Step 6

### HARDWARE

<b>H</b>	Screw M4 x 19 mm	x8
<b>I</b>	Backply Stopper	x8

### COMPONENTS

<b>1</b>	Top Board	x1
<b>2</b>	Bottom Board	x1
<b>3</b>	Left Board	x1
<b>4</b>	Right Board	x1
<b>5</b>	Backboard	x1



Put at flat surface before assembly backboard

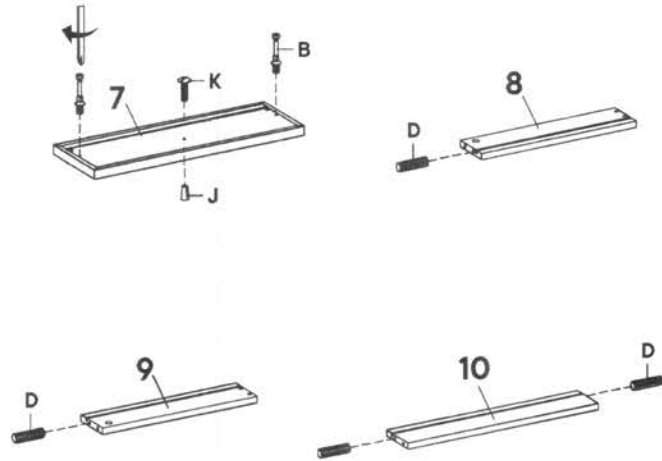
## Step 7

### HARDWARE

<b>B</b>	Cam Bolt $\varnothing 7.5 \times 32$ mm	x2
<b>D</b>	Plastic Dowel M6 x 30 mm	x4
<b>J</b>	Handle	x1
<b>K</b>	Screw M4 x 20 mm	x1

### COMPONENTS

<b>7</b>	Front Drawer	x1
<b>8</b>	Left Drawer	x1
<b>9</b>	Right Drawer	x1
<b>10</b>	Rear Drawer	x1



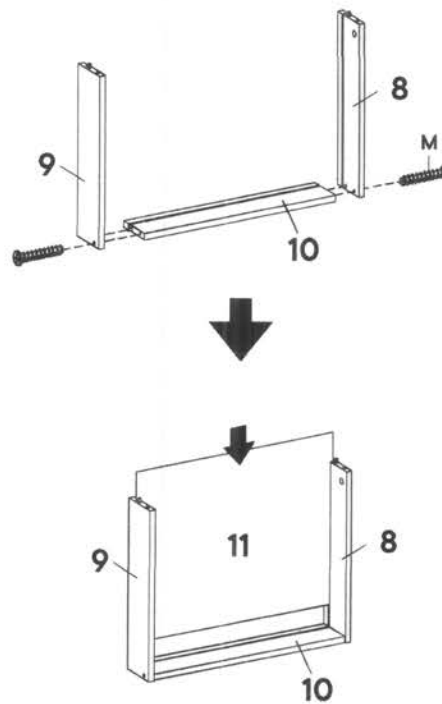
## Step 8

### HARDWARE

<b>M</b>	Screw M10 x 33.5 mm	x2
----------	---------------------	----

### COMPONENTS

<b>8</b>	Left Drawer	x1
<b>9</b>	Right Drawer	x1
<b>10</b>	Rear Drawer	x1
<b>11</b>	Bottom Drawer	x1



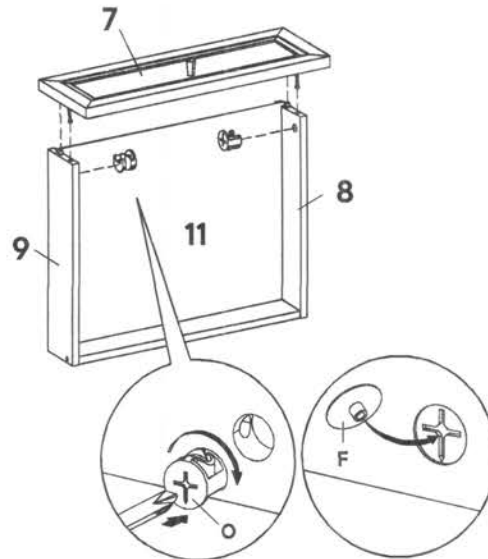
## Step 9

### HARDWARE

⊙	Cam Lock Ø12 mm	x2
F	Cam Cover Ø15 mm	x2

### COMPONENTS

7	Front Drawer	x1
8	Left Drawer	x1
9	Right Drawer	x1
11	Bottom Drawer	x1



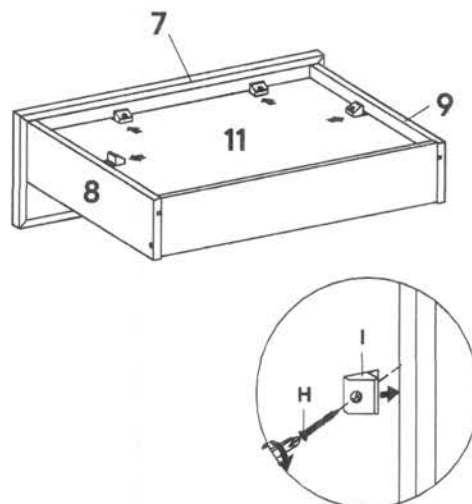
## Step 10

### HARDWARE

H	Screw M4 x 19 mm	x4
I	Backply Stopper	x4

### COMPONENTS

7	Front Drawer	x1
8	Left Drawer	x1
9	Right Drawer	x1
11	Bottom Drawer	x1



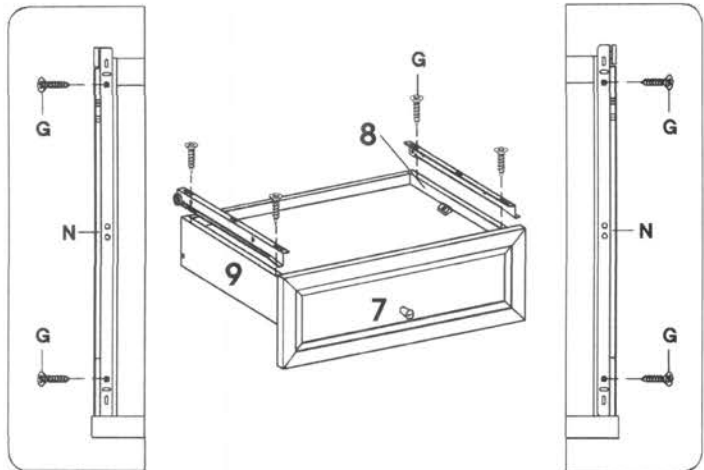
## Step 11

### HARDWARE

<b>G</b>	Screw M6 x 13 mm	x4
<b>N</b>	Drawer Rail	x1

### COMPONENTS

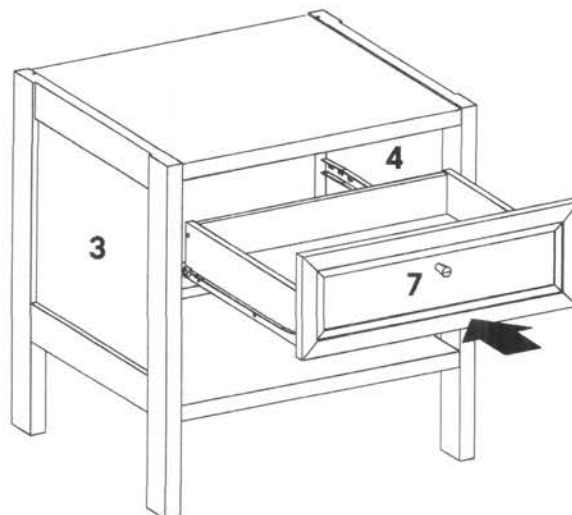
<b>8</b>	Left Drawer	x1
<b>9</b>	Right Drawer	x1



## Step 12

### COMPONENTS

<b>3</b>	Left Board	x1
<b>4</b>	Right Board	x1
<b>7</b>	Front Drawer	x1



# Great job!

Nightstand assembly is complete.

## ♥ CARING FOR YOUR ITEM

Indoor use only.

Not contract grade.

Clean using a non-abrasive cloth and a mild cleaner.

Never use harsh chemicals, as they could damage the finish or integrity of the item.

## CONNECT WITH US!

Tag us @modway\_furniture and #modway for a chance to be featured.

