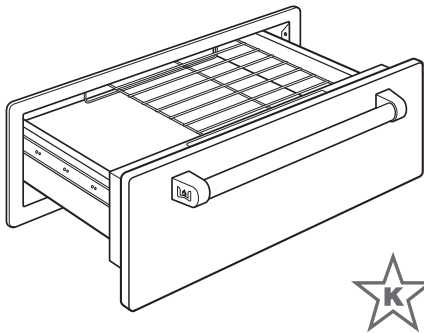


FEATURES

- Stainless steel drawer fronts match Wolf outdoor grills and professional products.
- CSA approved for outdoor installations.
- UL approved for warming towels.
- Crafted of heavy-duty stainless steel.
- Hidden electronic touch controls for sleek appearance.
- Temperature control range of 80°F to 200°F.
- Four preset temperatures—high 200°F, medium 160°F, low 120°F and proof 85°F.
- Programmable automatic shut-off up to four hours.
- Fan assist for even heat distribution.
- Fast preheat times.
- Rack for stacking food.
- Three ball-bearing drawer glides for smooth, full extension.
- Removable stainless steel drawer for easy cleaning.



Model WWD300 shown with stainless drawer front.

MODEL

Warming Drawer* WWD300

**Base unit only, accessory drawer front required.*

ACCESSORIES

- Stainless steel 2" thick drawer front for installation with Wolf outdoor grill.
- Stainless steel drawer front to match Sub-Zero and Wolf professional products.
- Stainless steel pro handle.
- Six-piece container set with lids (shown below).

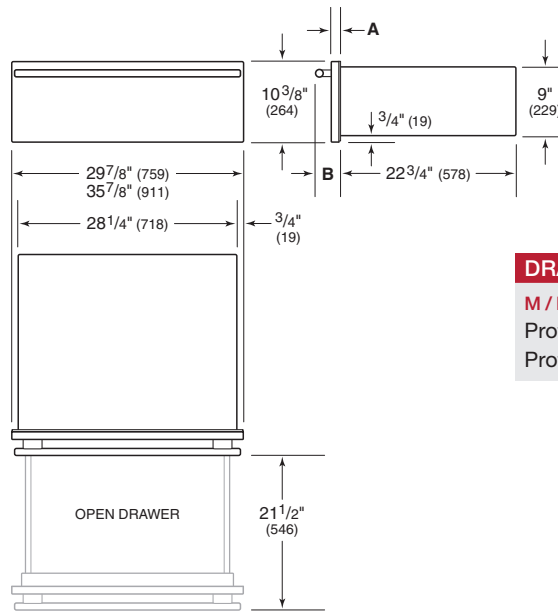
Accessories available through an authorized Wolf dealer. For local dealer information, visit the find a showroom section of our website, wolfappliance.com.



Accessory container set.

SPECIFICATIONS	
PRODUCT	
30" Front	29 ⁷ / ₈ "W x 10 ³ / ₈ "H x 22 ³ / ₄ "D
36" Front	35 ⁷ / ₈ "W x 10 ³ / ₈ "H x 22 ³ / ₄ "D
Weight	100 lb
INTERIOR	
Capacity	1.6 cu ft
Dimensions	25"W x 6"H x 18"D
ELECTRICAL	
Supply	120 VAC, 60 Hz
Service	15 amp circuit (GFCI)
Power Cord	3'
POWER RATING	
Maximum	850 W

DIMENSIONS

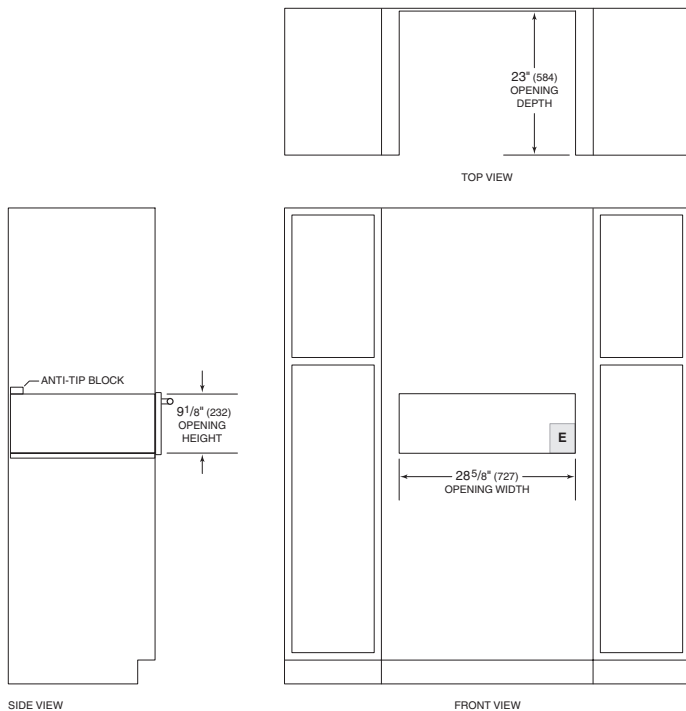


DRAWER FRONT		
M / E SERIES	A	B
Professional	1 ¹ / ₈ "	3 ¹ / ₂ "
Professional (2" thick)	2 ¹ / ₈ "	4 ¹ / ₂ "

Specifications are subject to change without notice. Visit wolfappliance.com/specs for the most up-to-date information.

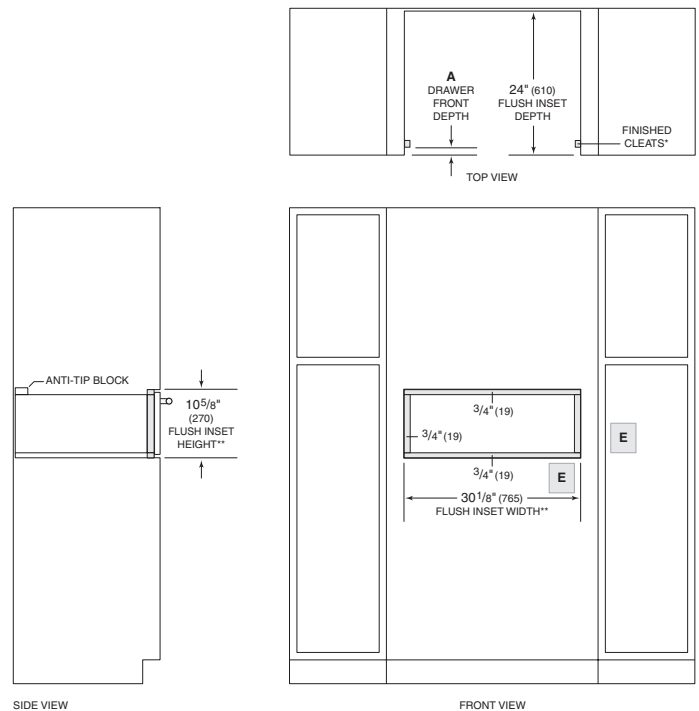
Dimensions may vary $\pm 1/8$ " (3). Dimensions in parentheses are millimeters unless otherwise specified.

STANDARD INSTALLATION



NOTE: Location of electrical supply within opening may require additional cabinet depth.

FLUSH INSET INSTALLATION



*Will be visible and should be finished to match cabinetry.

**Dimension provides minimum reveals.

NOTE: Location of electrical supply within opening may require additional cabinet depth.

DRAWER FRONT DEPTH	
M / E SERIES DRAWER FRONT	A
Professional	1 ¹ / ₈ "
Professional (2" thick)	2 ¹ / ₈ "

Custom front panel depth is dependent on panel thickness.