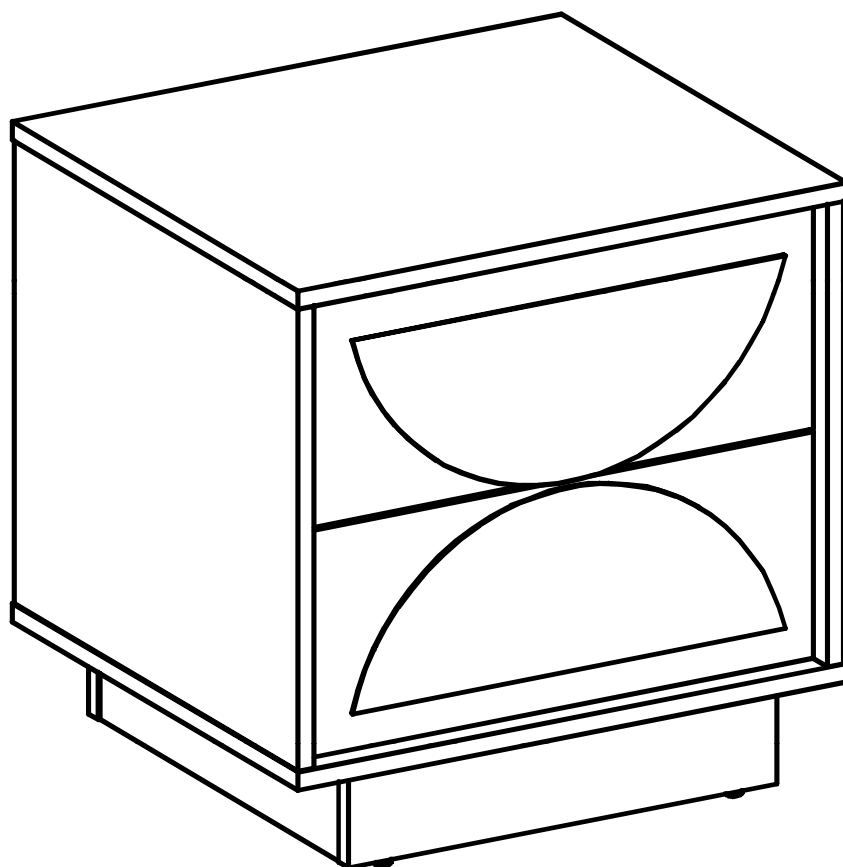


ASSEMBLY INSTRUCTIONS

MOD-7162

V0.01.01.24



Questions? Contact us!

609.256.9000 • cs@modway.com
www.modway.com

*modway

Let's get started!

*modway



Read through all of the instructions before starting



Care instructions are listed in the last step of this manual



Approx. 45 minutes assembly time



Make sure you have all parts and components before discarding any packing materials



2 people recommended for assembly

Only use hand tools to assemble this item. Do not use power tools. Do not tighten bolts or screws completely until all hardware is lined up and inserted into the holes.

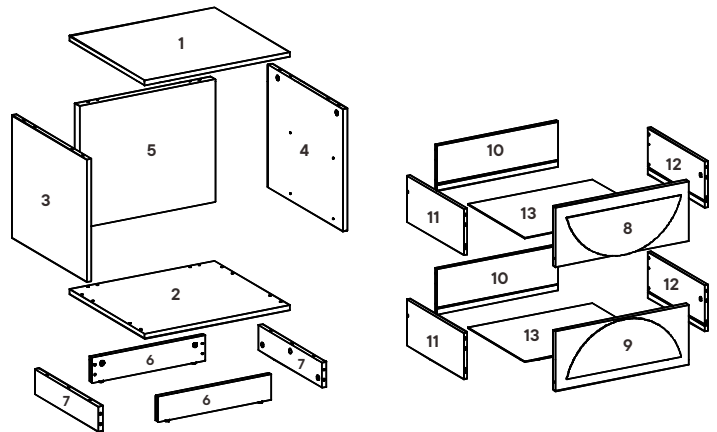
Do not over-tighten screws and bolts to avoid stripping the hardware or cracking the item.

Assemble your item on a flat, carpeted area, with plenty of space to work. This will prevent damage and scratches to your floors or the item while you're assembling the product.

Keep all components and packaging out of reach of children or animals to avoid risk of choking or suffocation.

Furniture components:

1	Top Board	x1	11	Left Drawer	x2
2	Bottom Board	x1	12	Right Drawer	x2
3	Left Board	x1	13	Bottom Drawer	x2
4	Right Board	x1			
5	Rear Board	x1			
6	Front/Rear Support	x2			
7	Side Support	x2			
8	Top Front Drawer	x1			
9	Bottom Front Drawer	x1			
10	Rear Drawer	x2			



Provided hardware:

A		Cam Lock Ø15 mm	x16
B		Cam Bolt Ø7.5 x 32 mm	x20
C		Cam Sticker Ø20 mm	x20
D		Plastic Dowel M8 x 32 mm	x40
E		Cam Lock Ø12 mm	x4
F		Screw M10 x 33.5 mm	x10
G		Screw M6 x 13 mm	x8
H		Screw M6 x 8 mm	x8

I		Drawer Rail	x2
J		Screw M4 x 19 mm	x8
K		Backply Stopper	x8

What you need:

Phillips Head Screwdriver

Wait!

Missing parts or hardware? Need assistance?
Contact us before returning your item. We're here to help!
609.256.9000 • cs@modway.com

Step 1

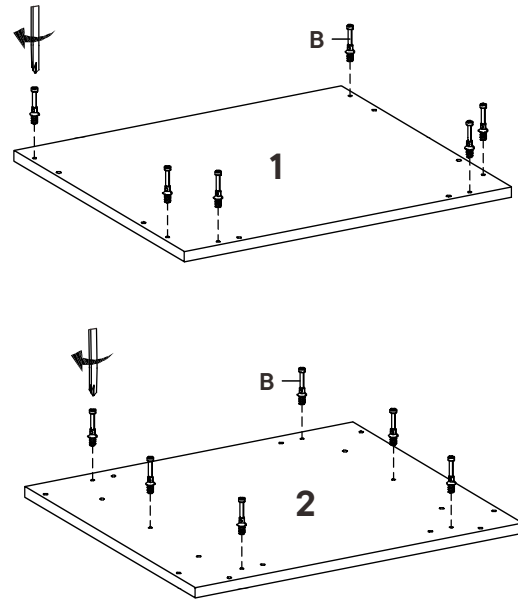
HARDWARE

B Cam Bolt $\varnothing 7.5 \times 32$ mm x12

COMPONENTS

1 Top Board x1

2 Bottom Board x1



Step 2

HARDWARE

D Plastic Dowel M8 x 32 mm x8

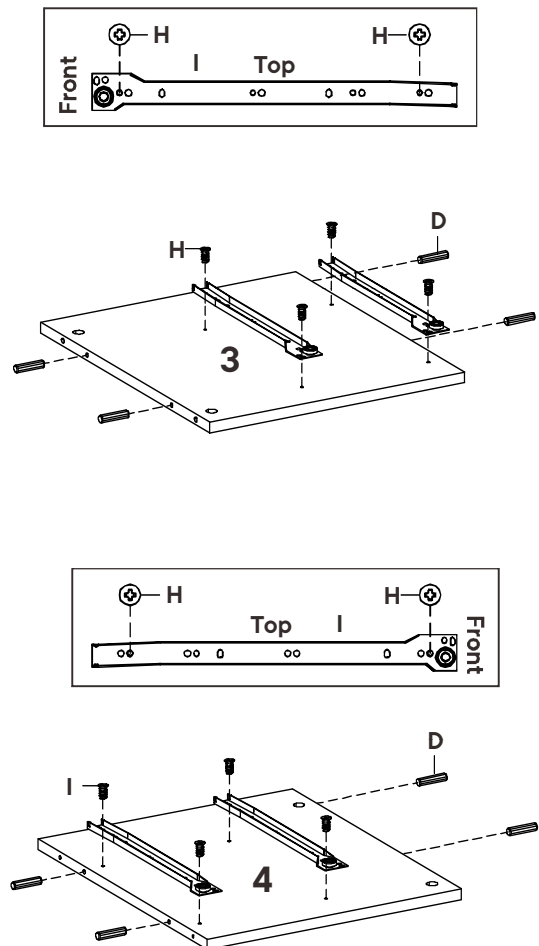
H Screw M6 x 8 mm x8

I Drawer Rail x2

COMPONENTS

3 Left Board x1

4 Right Board x1



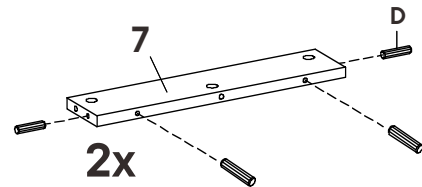
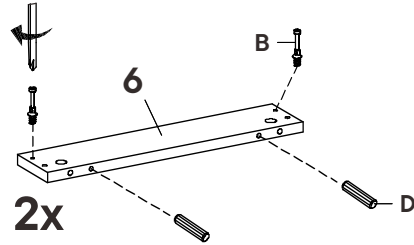
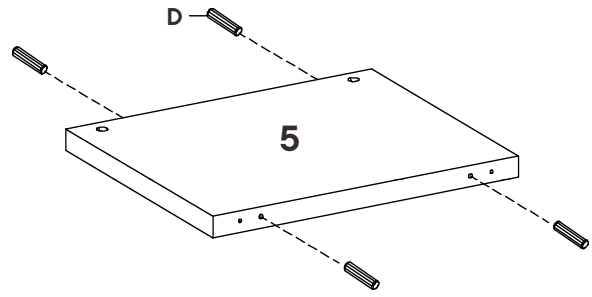
Step 3

HARDWARE

- B** Cam Bolt Ø7.5 x 32 mm x4
- D** Plastic Dowel M8 x 32 mm x16

COMPONENTS

- 5** Rear Board x1
- 6** Front/Rear Support x2
- 7** Side Support x2



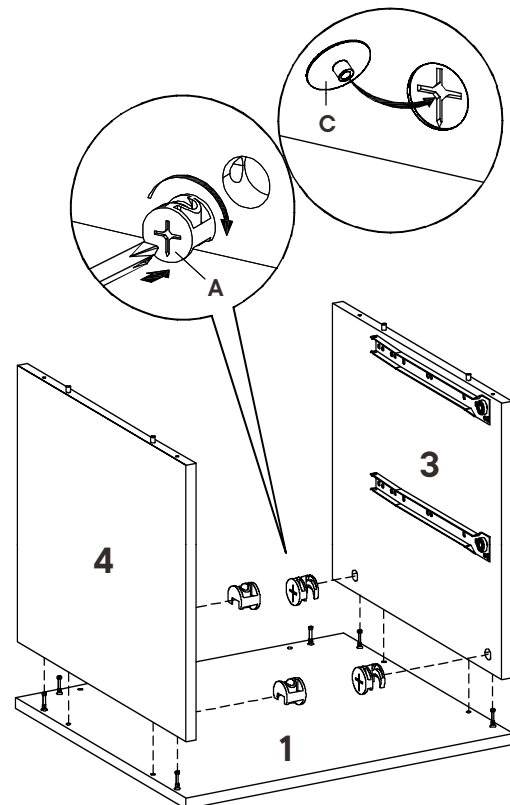
Step 4

HARDWARE

- A** Cam Lock Ø15 mm x4
- C** Cam Sticker Ø20 mm x4

COMPONENTS

- 1** Top Board x1
- 3** Left Board x1
- 4** Right Board x1



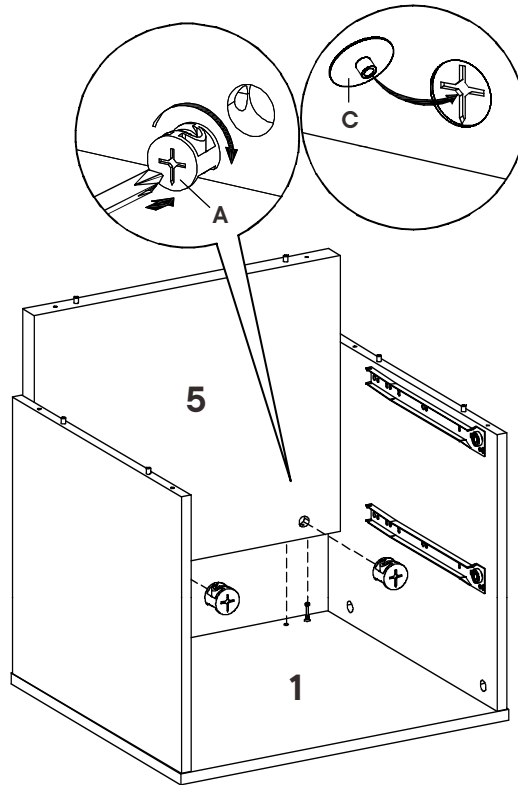
Step 5

HARDWARE

- A** Cam Lock Ø15 mm x2
- C** Cam Sticker Ø20 mm x2

COMPONENTS

- 1** Top Board x1
- 5** Rear Board x1



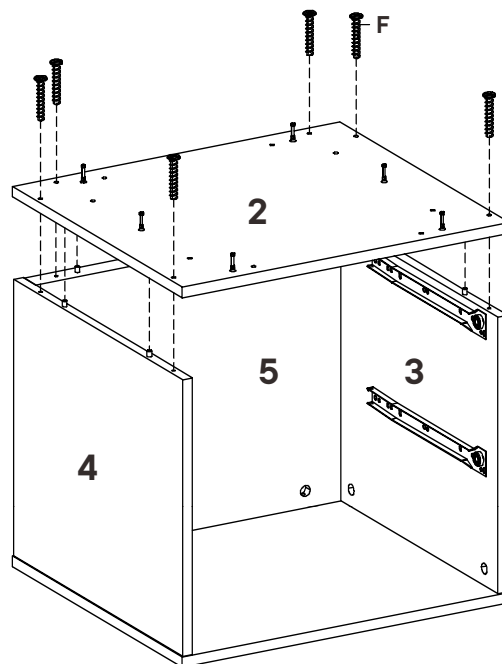
Step 6

HARDWARE

- F** Screw M10 x 33.5 mm x6

COMPONENTS

- 2** Bottom Board x1
- 3** Left Board x1
- 4** Right Board x1
- 5** Rear Board x1



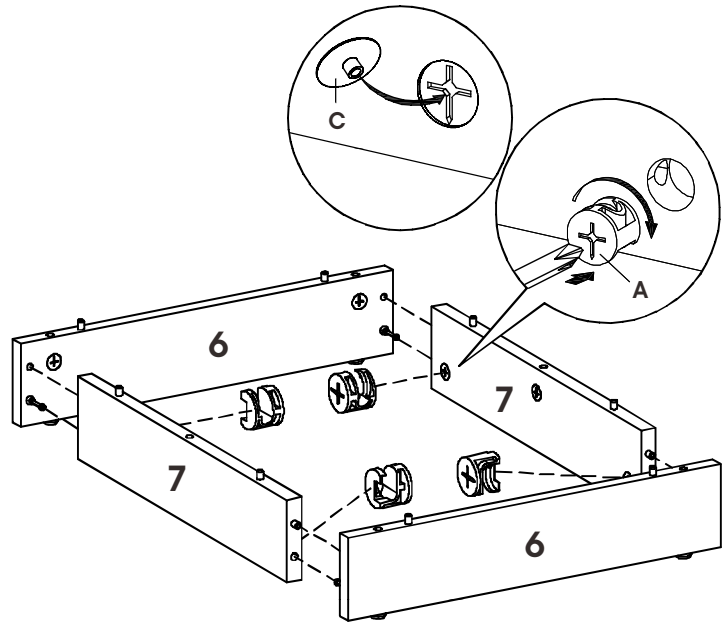
Step 7

HARDWARE

- A** Cam Lock Ø15 mm x4
- C** Cam Sticker Ø20 mm x4

COMPONENTS

- 6** Front/Rear Support x2
- 7** Side Support x2



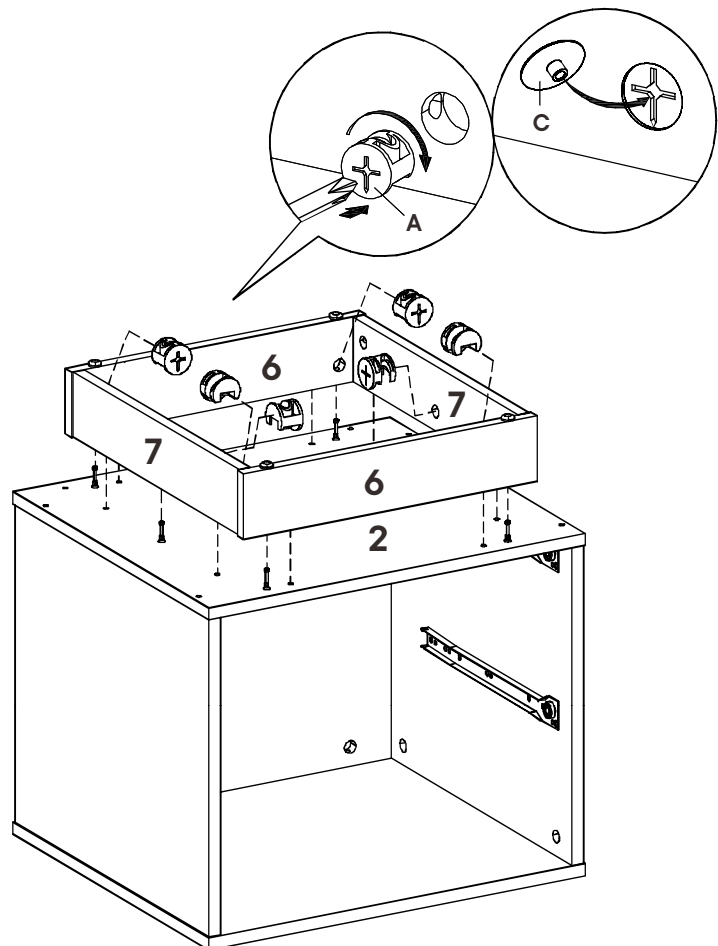
Step 8

HARDWARE

- A** Cam Lock Ø15 mm x6
- C** Cam Sticker Ø20 mm x6

COMPONENTS

- 2** Bottom Board x1
- 6** Front/Rear Support x2
- 7** Side Support x2



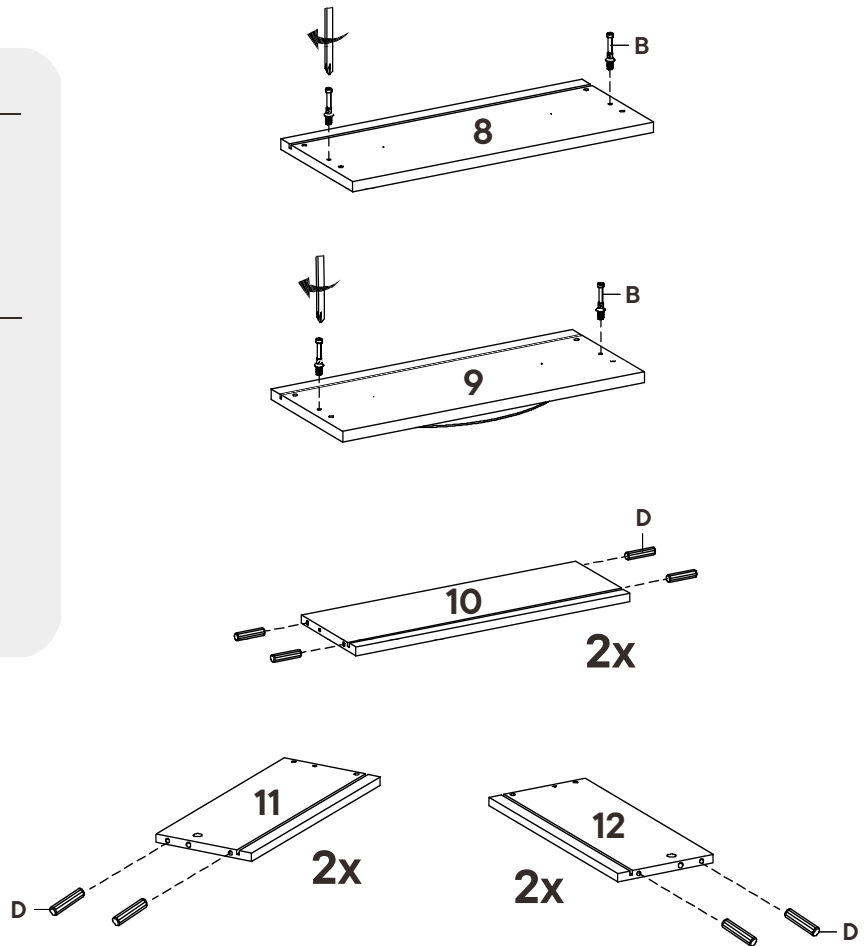
Step 9

HARDWARE

- B** Cam Bolt $\varnothing 7.5 \times 32$ mm x4
- D** Plastic Dowel M8 x 32 mm x16

COMPONENTS

- 8** Top Front Drawer x1
- 9** Bottom Front Drawer x1
- 10** Rear Drawer x2
- 11** Left Drawer x2
- 12** Right Drawer x2



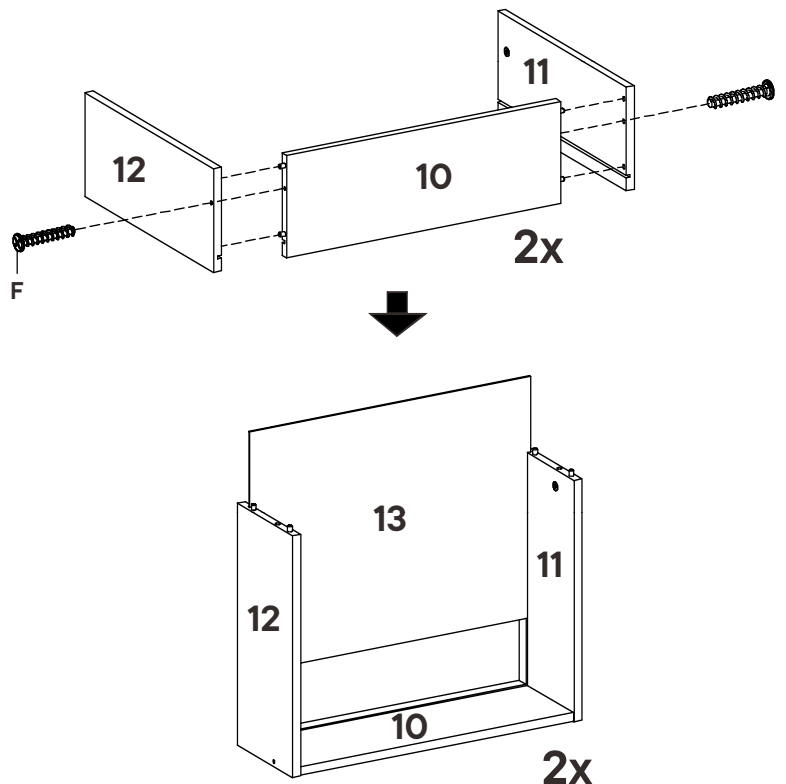
Step 10

HARDWARE

- F** Screw M10 x 33.5 mm x4

COMPONENTS

- 10** Rear Drawer x2
- 11** Left Drawer x2
- 12** Right Drawer x2
- 13** Bottom Drawer x2



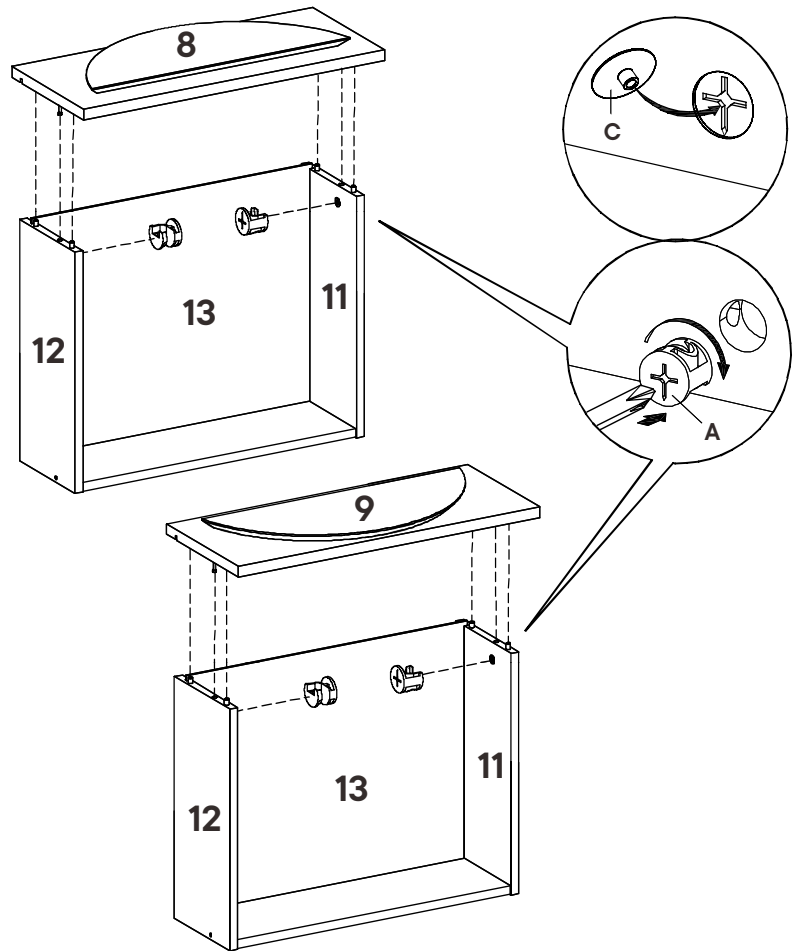
Step 11

HARDWARE

- H** Cam Lock Ø15 mm x4
- I** Cam Sticker Ø20 mm x4

COMPONENTS

- 8** Top Front Drawer x1
- 9** Bottom Front Drawer x1
- 11** Left Drawer x2
- 12** Right Drawer x2
- 13** Right Drawer x2



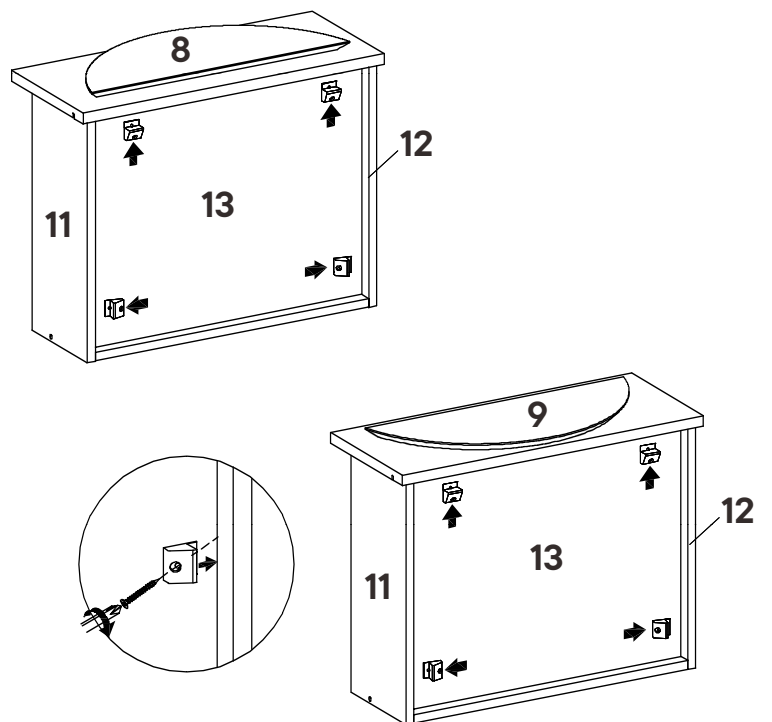
Step 12

HARDWARE

- J** Screw M4 x 19 mm x8
- K** Backply Stopper x8

COMPONENTS

- 8** Top Front Drawer x1
- 9** Bottom Front Drawer x1
- 11** Left Drawer x2
- 12** Right Drawer x2
- 13** Right Drawer x2



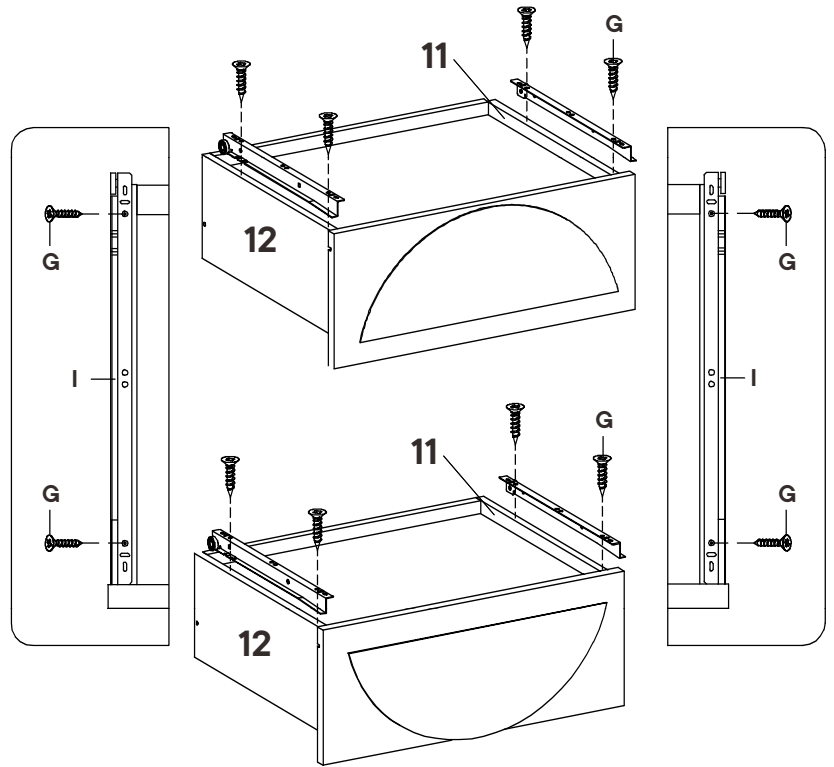
Step 13

HARDWARE

- G** Screw M6 x 13 mm x8
- I** Drawer Rail x2

COMPONENTS

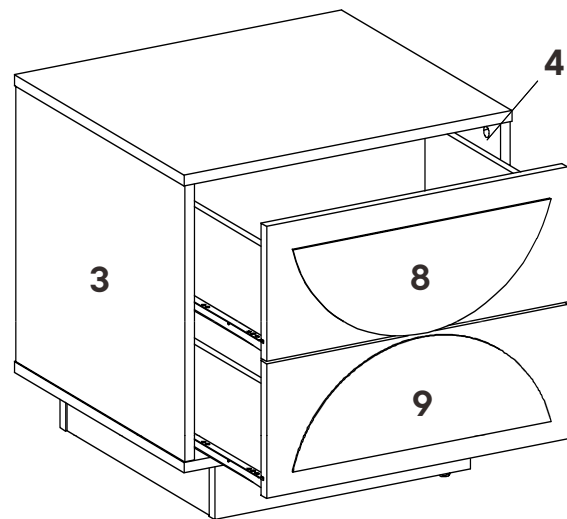
- 11** Left Drawer x2
- 12** Right Drawer x2



Step 14

COMPONENTS

- 3** Left Board x1
- 4** Right Board x1
- 8** Top Front Drawer x1
- 9** Bottom Front Drawer x1



Great job!

Nightstand assembly is complete.

♥ CARING FOR YOUR ITEM

Indoor use only.

Not contract grade.

Clean using a non-abrasive cloth and a mild cleaner.

Never use harsh chemicals, as they could damage the finish or integrity of the item.

CONNECT WITH US!   

Tag us @modway_furniture and #modway for a chance to be featured.

