



# Twinkle Lights Learning Piano™



## Instruction Manual

This manual contains important information. Please save it for future reference.  
Ce manuel contient des informations importantes. Veuillez le conserver pour toute  
référence future.

# INTRODUCTION

Thank you for purchasing **Twinkle Lights Learning Piano™!** Explore music, colors and instruments with engaging light-up play on this colorful two-octave piano. Music games introduce a variety of instruments and musical styles. Children can play along to popular tunes and make their own music to foster creativity and music skills.



# INCLUDED IN THE PACKAGE



Twinkle Lights Learning Piano™



4 Feet

- Quick Start Guide

## WARNING

All packing materials such as tape, plastic sheets, packaging locks, removable tags, cable ties, cords and packaging screws are not part of this toy, and should be discarded for your child's safety.

## NOTE

Please save this Instruction Manual as it contains important information.

## ATTENTION

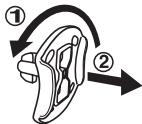
Pour la sécurité de votre enfant, débarrassez-vous de tous les produits d'emballage tels que rubans adhésifs, feuilles de plastique, attaches, étiquettes, cordons et vis d'emballage. Ils ne font pas partie du jouet.

## NOTE

Il est conseillé de sauvegarder ce manuel d'utilisation car il comporte des informations importantes.

## Unlock the Packaging Locks

- ① Rotate the packaging locks 90 degrees counterclockwise.
- ② Pull out the packaging locks and discard.



# GETTING STARTED

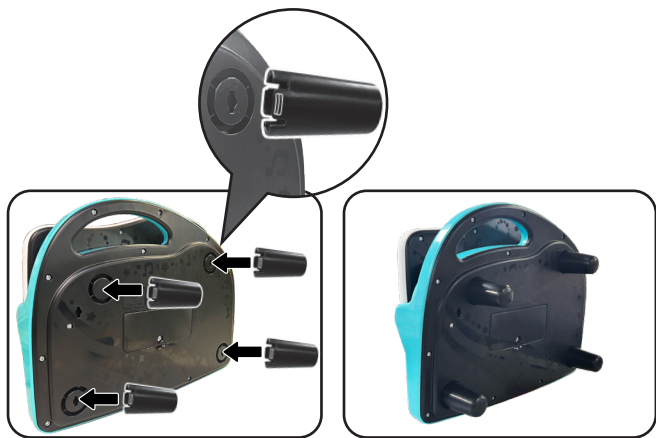
## ACTIVATE NORMAL PLAY MODE

This product is in Try-Me mode in the package. To activate normal play mode, please remove the unit from the package. Then, turn the toy Off and then back On.

## ASSEMBLY

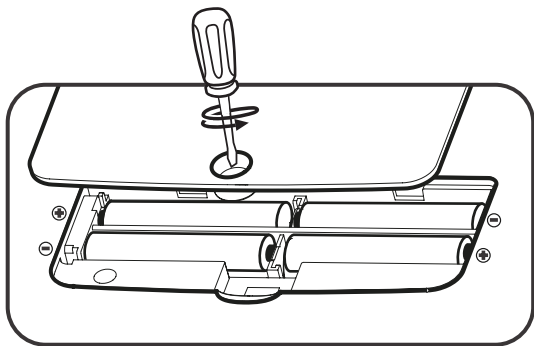
Adult assembly is required.

Plug the removable feet into the holes on the underside of the toy in the correct orientation as shown below.



## BATTERY REMOVAL AND INSTALLATION

1. Make sure the unit is turned Off.
2. Find the battery cover located on the back of the unit. Use a screwdriver to loosen the screw and then open the battery cover.
3. Remove old batteries by pulling up on one end of each battery.
4. Install 4 new 1.5V AA (LR6) batteries following the diagram inside the battery box. (For best performance, alkaline batteries or fully charged Ni-MH rechargeable batteries are recommended.)
5. Replace the battery cover and tighten the screw to secure.





## **WARNING**

Adult assembly required for battery installation.  
Keep batteries out of reach of children.



## **ATTENTION :**

Les piles ou accumulateurs doivent être installés par un adulte. Tenir les piles ou accumulateurs hors de portée des enfants.

## **IMPORTANT: BATTERY INFORMATION**

- Insert batteries with the correct polarity (+ and -).
- Do not mix old and new batteries.
- Do not mix alkaline, standard (carbon-zinc) or rechargeable batteries.
- Only batteries of the same or equivalent type as recommended are to be used.
- Do not short-circuit the supply terminals.
- Remove batteries during long periods of non-use.
- Remove exhausted batteries from the toy.
- Dispose of batteries safely. Do not dispose of batteries in fire.

## **RECHARGEABLE BATTERIES**

- Rechargeable batteries are only to be charged under adult supervision.
- Do not charge non-rechargeable batteries.

## **IMPORTANT : INFORMATIONS CONCERNANT LES PILES**

- Mettre en place les piles ou les accumulateurs en respectant les polarités + et -.
- Ne pas mélanger des piles ou des accumulateurs neufs avec des usagés.
- Ne pas mélanger différents types de piles : alcalines, zinc-carbone et rechargeables.
- Seules des piles du type recommandé doivent être utilisées.
- Ne pas mettre les bornes d'une pile ou d'un accumulateur en court-circuit (en reliant directement le + et le -).
- Retirer les piles ou les accumulateurs en cas de non-utilisation prolongée.
- Enlever les piles ou les accumulateurs usagés du jouet.
- Ne les jeter ni au feu ni dans la nature.

### **PILES RECHARGEABLES :**

- Les accumulateurs ne doivent être chargés que sous la surveillance d'un adulte.
- Ne pas tenter de recharger des piles non rechargeables.

# PRODUCT FEATURES

## 1. Power On/Off Button

To turn the unit on, press the **Power On/Off Button**. To turn the unit off, press the **Power On/Off Button** one more time.



## 2. Activity Slider

Slide the switch to select 3 different modes:

### 🎵 Play Music

Play your own melodies on the piano and explore 10 instruments and sounds.



### 🎵 Duet Time

Press a piano key to select from 15 tunes. Then, press the keys to play along.



### ★ Music Games

The **Star Lights Panel** position selects the game. Lift up the panel for **Follow the Lights** or lower the panel for **Jam Session**.

**Follow the Lights** - First, press a key to select from 15 tunes. Follow the light up stars to learn to play the tunes.

**Jam Session** - Press the piano keys to play fun music in three different styles of *Rock & Roll*, *Classical*, and *Jazz*.



### 3. Star Lights Panel & Panel Hinge Switch

Lift up the panel to turn on the 60 star lights or lower the panel to turn the lights off. In Music Games mode, the panel position changes the play activity.



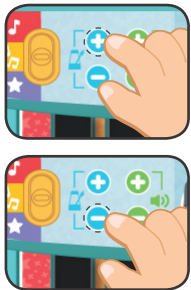
### 4. 25 Piano Keys

Play music by pressing any of the 15 rainbow color and 10 black piano keys.



### 5. Metronome Buttons

Press the **Metronome Buttons** to turn on the metronome and select from five tempo settings. Press the Metronome Up Button to increase the tempo. Press the Metronome Down Button to decrease the tempo. Press the Down Button multiple times to turn the metronome off.



## 6. Volume Buttons

Press the **Volume Buttons** to adjust the volume and select from five volume levels.



## 7. 10 Instrument & Sounds Buttons

Choose from 6 traditional instruments of piano, electric keyboard, guitar, trumpet, xylophone, flute and 4 fun sounds of star chimes, animal sounds, colors/saxophone and singing.



## 8. Music Button

In Play Music mode, press to cycle through 33 tunes & songs. In Duet Time and Music Games, press to change to the next tune.



## 9. Automatic Shut-Off

To preserve battery life, the unit will automatically shut off after approximately 120 seconds without input. The unit can be turned on again by pressing the Power On/Off Button.

# SONG LYRICS

## 1. Rainbow Melody Song

Jam along to a rainbow melody.  
Make the stars shine so brightly.  
Hit the keys! Come on, make some sounds.  
It's time to get down and dance around!

## 2. Color Party Song

Tune in to the color party!  
We're dancing in the rainbow light.  
Make the stars twinkle and shine!  
Rockin' tunes day or night!

## 3. Make-A-Song Song

Make, make, make a song.  
Tap, tap, tap along.  
Play it fast, or play it slow.  
Put your fingers on the keys,  
And give it a go!

# MELODIES & SONGS

In Duet Time mode, below are the melodies & songs assigned to the rainbow color piano keys from left to right:

1. Rockin' Robin
2. The Entertainer
3. Puttin' on the Ritz
4. Be My Little Baby Bumble Bee
5. Rhapsody in Blue
6. Mozart: Rondo alla Turca
7. Clair de Lune
8. Funiculì, Funiculà
9. Bach: Brandenburg Concerto 4
10. Bach: Minuet
11. If You're Happy and You Know It
12. Old MacDonald
13. Rainbow Melody Song
14. Color Party Song
15. Make-A-Song Song

In "Follow the Lights" under the Music Games mode, below are the melodies assigned to the rainbow color piano keys from left to right, in order from easy to difficult:

1. Mary Had a Little Lamb
2. Twinkle, Twinkle, Little Star
3. London Bridge
4. Bingo
5. Ode to Joy
6. Muffin Man
7. Frère Jacques
8. A-Tisket, A-Tasket
9. Row, Row, Row Your Boat
10. Vivaldi: Spring
11. Farmer in the Dell

12. William Tell Overture
13. Singin' in the Rain
14. Étude 1
15. Chopsticks

In “Jam Session” under the Music Games mode, below are the melodies:

1. Classical Melody
2. Jazz Melody
3. Rock & Roll Melody

## CARE & MAINTENANCE

1. Keep the unit clean by wiping it with a slightly damp cloth.
2. Keep the unit out of direct sunlight and away from any direct heat sources.
3. Remove the batteries if the unit will not be in use for an extended period of time.
4. Do not drop the unit on hard surfaces and do not expose the unit to moisture or water.

## TROUBLESHOOTING

If for some reason the unit stops working or malfunctions, please follow these steps:

1. Turn the unit **Off**.
2. Interrupt the power supply by removing the batteries.
3. Let the unit stand for a few minutes, then replace the batteries.
4. Turn the unit **On**. The unit should now be ready to use again.
5. If the unit still does not work, install a new set of batteries.

## Environmental Phenomena

The unit may malfunction if subjected to radio-frequency interference. It should revert to normal operation when the interference stops. If not, it may become necessary to turn the power **Off** and back **On**, or remove and reinstall the batteries. In the unlikely event of an electrostatic discharge, the unit may malfunction and lose memory, requiring the user to reset the device by removing and reinstalling the batteries.

## Impact de l'environnement

Une défaillance de fonctionnement de l'appareil peut survenir s'il est sujet à des interférences avec les fréquences radioélectriques. Le fonctionnement normal de l'appareil devrait reprendre avec l'arrêt des interférences. Si ce n'est pas le cas, il peut s'avérer nécessaire d'éteindre et rallumer l'appareil ou de retirer et réinstaller les piles. Dans l'éventualité peu probable d'une décharge électrostatique, un mauvais fonctionnement et une perte de mémoire de l'appareil peuvent se produire. L'utilisateur doit alors retirer et réinstaller les piles pour réinitialiser l'appareil.

## **NOTE**

This equipment has been tested and found to comply with the limits for a Class B digital device, pursuant to Part 15 of the FCC Rules. These limits are designed to provide reasonable protection against harmful interference in a residential installation. This equipment generates, uses and can radiate radio frequency energy and, if not installed and used in accordance with the instructions, may cause harmful interference to radio communications. However, there is no guarantee that interference will not occur in a particular installation. If this equipment does cause harmful interference to radio or television reception, which can be determined by turning the equipment off and on, the user is encouraged to try to correct the interference by one or more of the following measures:

- Reorient or relocate the receiving antenna.
- Increase the separation between the equipment and receiver.
- Connect the equipment into an outlet on a circuit different from that to which the receiver is connected.
- Consult the dealer or an experienced radio/TV technician for help.

## **CAUTION**

Changes or modifications not expressly approved by the party responsible for compliance could void the user's authority to operate the equipment.

**IMPORTANT NOTE:**

If the problem persists, please call our **Consumer Services Department** at **1-800-701-5327** in the U.S. and Canada, or email **support@leapfrog.com**. Creating and developing LeapFrog products is accompanied by a responsibility that we take very seriously. We make every effort to ensure the accuracy of the information, which forms the value of our products. However, errors sometimes can occur. It is important for you to know that we stand behind our products and encourage you to contact us with any problems and/or suggestions you might have. A service representative will be happy to help you.

**Supplier's Declaration of Conformity**

47 CFR § 2.1077 Compliance Information

Trade Name: LeapFrog®  
Model: 6210  
Product Name: Twinkle Lights Learning Piano™  
Responsible Party: LeapFrog Enterprises, Inc.  
Address: 2200 Powell St., Suite 500  
Emeryville, CA 94608  
Website: leapfrog.com

THIS DEVICE COMPLIES WITH PART 15 OF THE FCC RULES. OPERATION IS SUBJECT TO THE FOLLOWING TWO CONDITIONS: (1) THIS DEVICE MAY NOT CAUSE HARMFUL INTERFERENCE, AND (2) THIS DEVICE MUST ACCEPT ANY INTERFERENCE RECEIVED, INCLUDING INTERFERENCE THAT MAY CAUSE UNDESIRE OPERATION.



**Visit our website for more  
information about our products,  
downloads, resources and more.**

***leapfrog.com***  
***leapfrog.ca***

**Read our complete warranty policy online at  
*leapfrog.com/legal***

LeapFrog Enterprises, Inc.,  
A subsidiary of VTech Holdings Limited.  
© 2026 LeapFrog Enterprises, Inc.  
All rights reserved.  
**IM-621000-000**  
Version:0