

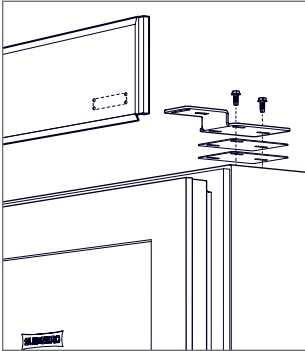
Contents

Qty	Description
1	Washer, Anti-Rotation
1	Plate, Catch
1	Screw, #10 x 3/4"
2	Screw, #10 x 3/4" machine
1	Lock, Door
1	Key
1	Washer, Finish
1	Nut, Extension
1	Cam
3	Spacers
1	Trim, Header
1	Template, 1/8" Drilling
1	Instructions

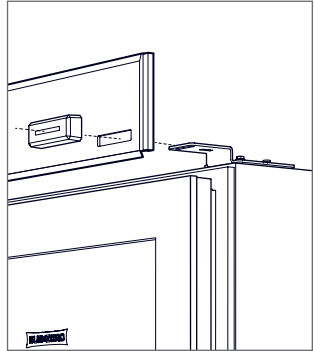
Installation

- 1 For ease of installation, install the lock when the unit is approximately 6" from being fully installed. For stainless steel panels, skip to step 3.
- 2 Use the drilling template provided to drill a 1/8" diameter pilot hole through the back of the panel. Then use a 7/8" (Forstner) bit to drill the lock assembly hole.
- 3 Insert the lock through the finish washer, anti-rotation washer (not required for stainless panel) then into the hole. For custom panels, secure the lock to the panel using the 1/2" barrel extension nut. For stainless steel panels, secure the lock with the 3/4" barrel extension nut.
- 4 Install the cam to the lock using the #10 screw. Verify the lock turns clockwise (right hinge) or counter clockwise (left hinge).

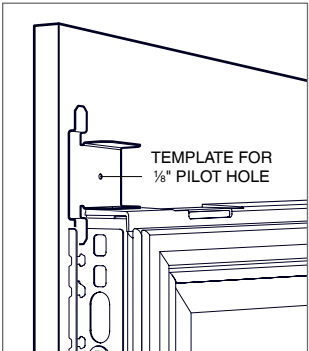
- 5 Install the catch plate by removing the two top cabinet hinge screws on the handle side of the unit. Place two spacers under the catch plate. Use the two #10 x 3/4" machine screws provided to install but do not tighten.
- 6 Verify the lock for proper operation. If catch plate needs adjusting, add or remove spacer(s) to achieve proper alignment, then tighten the hinge screws.
- 7 To create the opening for the catch plate in the header, drill four 1/8" diameter holes. The four locations are recessed on the back of the header. Once the four holes have been drilled, use a utility knife to remove the remaining material.
- 8 Install the header and header trim.



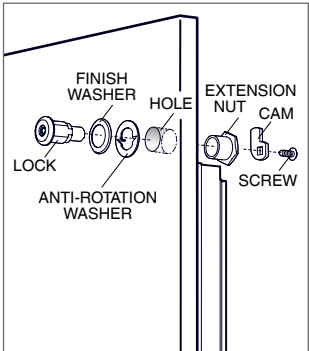
Install catch plate



Install header and trim



Drilling template



Install lock

