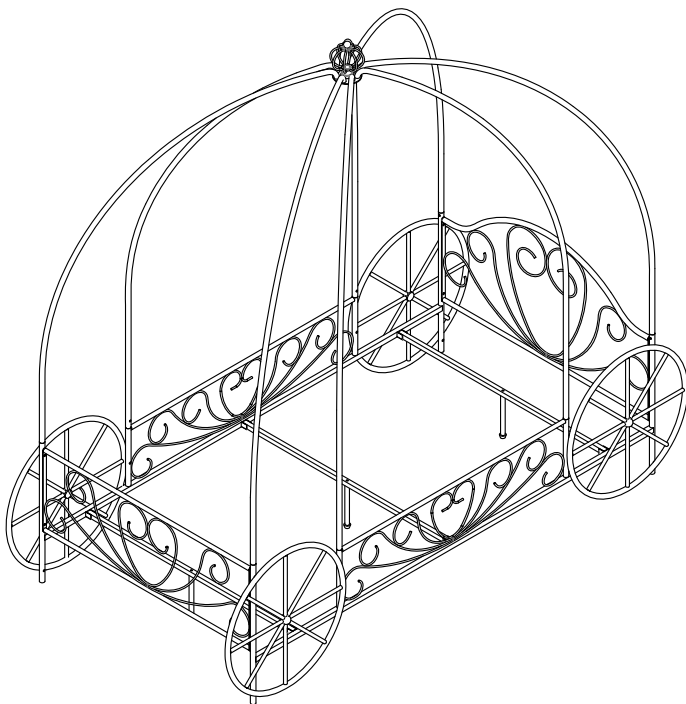


# ASSEMBLY INSTRUCTIONS

---



## TOOLS REQUIRED



Allen Wrench  
(Included)



2 - Persons  
Recommended

## ASSEMBLY RATING



EASY —————> DIFFICULT

The Assembly Rating is a 5-point system showing the level of effort needed to assemble a specific product.

# PRE ASSEMBLY INTRODUCTION

We understand building ready-to-assemble furniture can be a challenging experience for some. To help avoid confusion, we have provided some helpful tips that may speed up the process.



## Teamwork

ALWAYS have at least two people to help with transporting and assembling the product to avoid potential injury and/or damage.



## Suitable Location

Assembling near the area of the intended location is highly recommended.



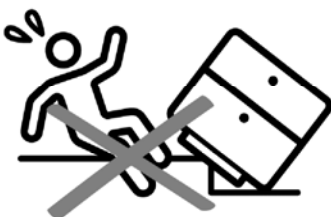
## Sufficient Space

Make sure you have enough space to move around during the assembly.



## Avoid Scratches

Use cardboard, blankets or a carpeted area while assembling furniture to prevent scratches.



## Flat Surface

Make sure the furniture rests on a flat and level surface with each leg evenly touching the floor.

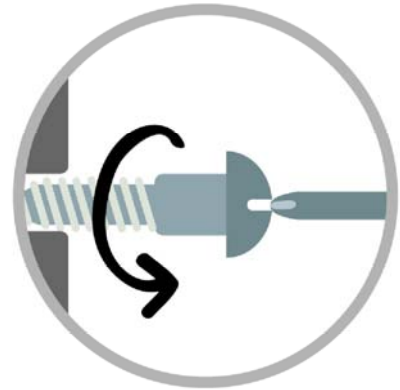
# ASSEMBLY AND CARE ADVICE



**FAILURE TO FOLLOW THE GUIDELINES BELOW MAY RESULT IN INJURY AND/OR PROPERTY DAMAGE.**



Position each part correctly and insert screws or bolts into their respective holes.



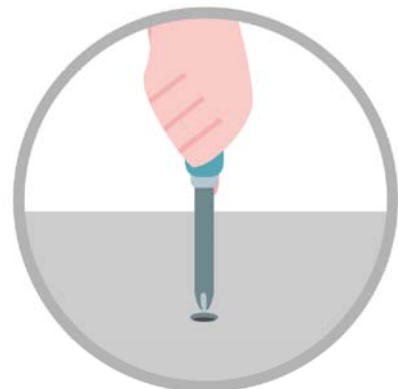
Turn clockwise to tighten and only tighten when step is completed or when instructed to do so.



Use the appropriate hand tools or power tools for assembly. Select steps, such as tightening screws and/or bolts, may require hand tools to avoid causing damage during assembly.



Save the instructions and store any supplied tools for later maintenance.



After two weeks, check and tighten any loose hardware and repeat again every six months thereafter.

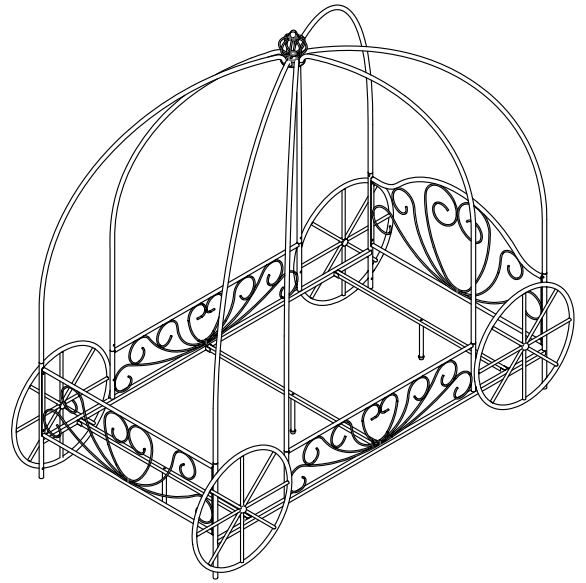
**IT IS THE USER'S RESPONSIBILITY TO MAINTAIN THE FURNITURE. THE HARDWARE MAY LOOSEN OVER TIME AND MAY CAUSE THE FURNITURE TO BE WOBBLY AND UNABLE TO SUPPORT ITS INTENDED WEIGHT CAPACITY. THIS MAY LEAD TO COLLAPSE AND MAY CAUSE SERIOUS INJURY.**

# BED

EC-HBC1211

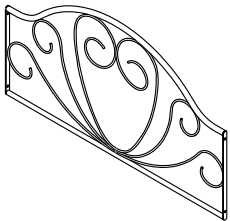


- Please keep instructions for future reference.
- Check the quantity and irregularity of parts and hardware before you start.



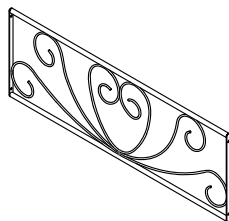
## PARTS

1



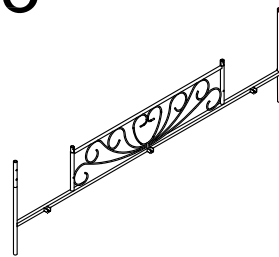
Headboard  
1 pc

2



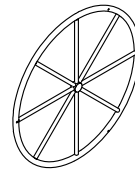
Footboard  
1 pc

3



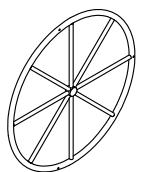
Side Guardrail  
2 pcs

4



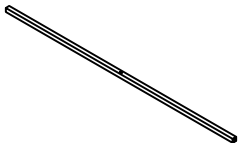
Wheel 1  
2 pcs

5



Wheel 2  
2 pcs

6



Slat  
3 pcs

7



Support Leg  
3 pcs

8



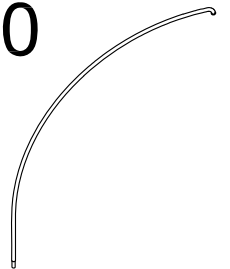
Connector board  
1 pc

9



Top ball  
1 pc

10



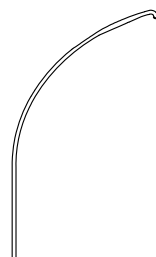
Post 1  
2 pcs

11



Post 2  
2 pcs

12



Post 3  
2 pcs

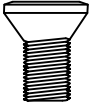
13



Post 4  
2 pcs

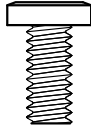
# HARDWARE

A



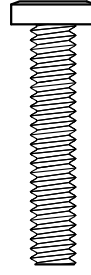
Bolt 1/4" x 1/2"  
9 pcs

B



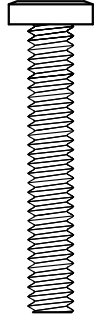
Bolt 1/4" x 1/2"  
18 pcs

C



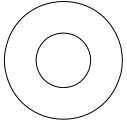
Bolt 1/4" x 1-1/4"  
12 pcs

D



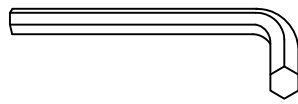
Bolt 1/4" x 1-1/2"  
3 pcs

E



Flat Washer 1/4"  
17 pcs

F



Allen Wrench M4  
1 pc

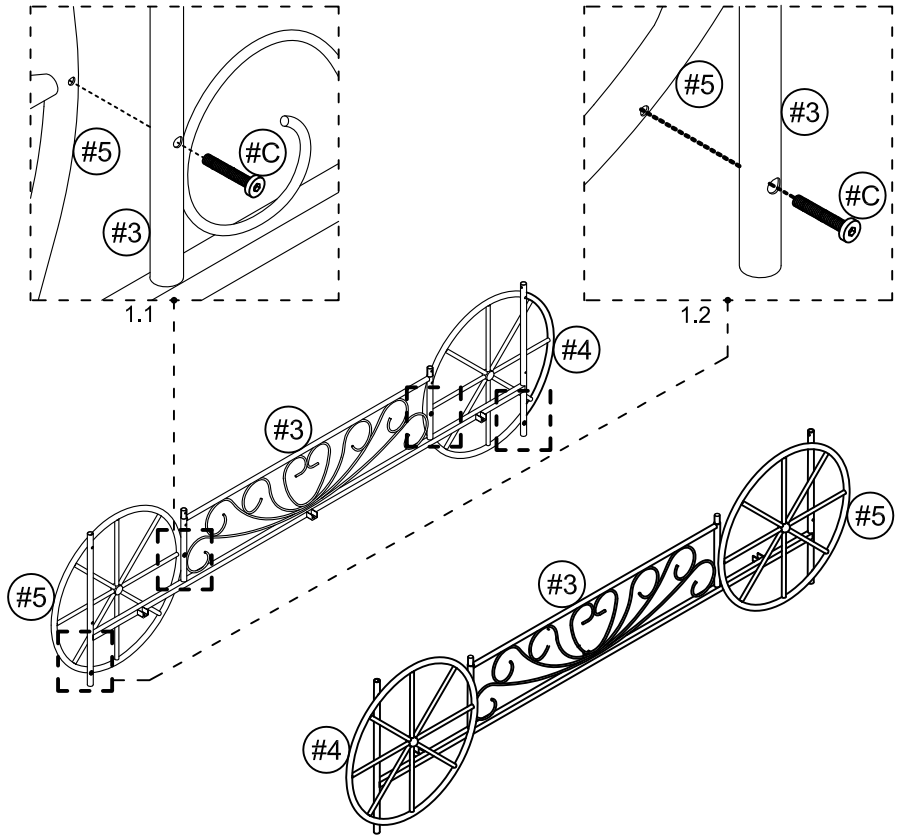
# ASSEMBLY INSTRUCTIONS

## 1

- Part #3 x 2pcs
- Part #4 x 2pcs
- Part #5 x 2pcs
- Hardware #C x 8pcs
- Hardware #F x 1pc

Attach Wheels (#4 & #5) to Side Guard Rail (#3) with bolts (#C) and secure using the Allen wrench (#F)

Note:  
Keep bolts loose during initial assembly. Tighten bolts only after all parts are assembled for best alignment

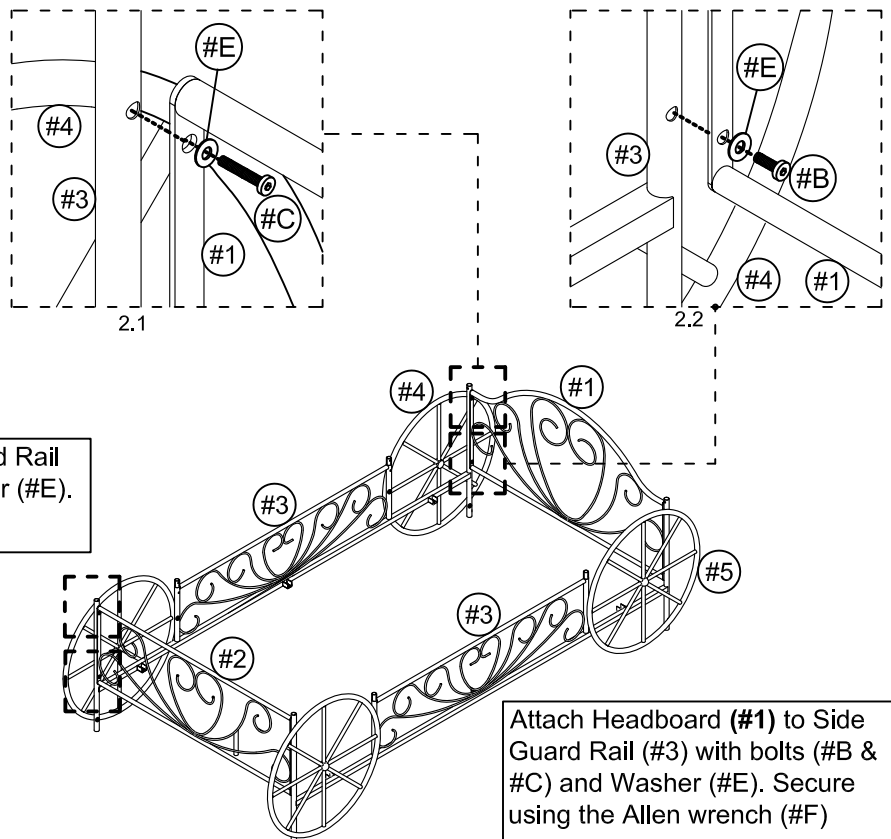


## 2

- Part #1 x1pc
- Part #2 x1pc
- Hardware #B x4pcs
- Hardware #C x4pcs
- Hardware #E x 8pcs
- Hardware #F x 1pc

Attach Footboard (#2) to Side Guard Rail (#3) with bolts (#B & #C) and Washer (#E). Secure using the Allen wrench (#F)

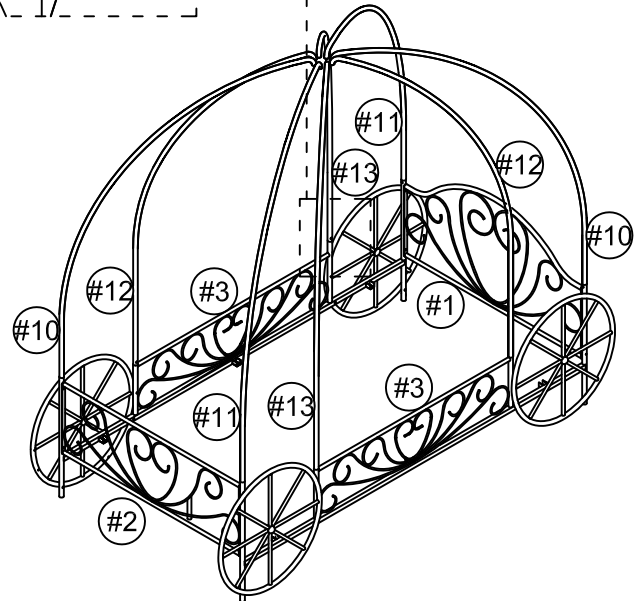
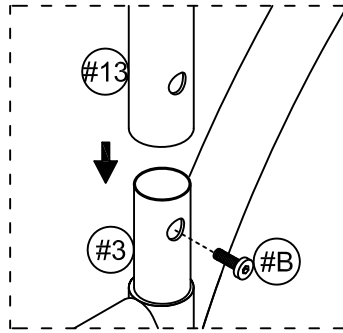
Attach Headboard (#1) to Side Guard Rail (#3) with bolts (#B & #C) and Washer (#E). Secure using the Allen wrench (#F)



# ASSEMBLY INSTRUCTIONS

## 3

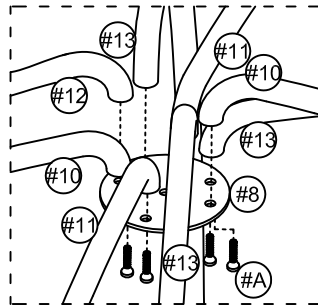
- Part #10 x 2pcs
- Part #11 x 2pcs
- Part #12 x 2pcs
- Part #13 x 2pcs
- Hardware #B x 8pcs
- Hardware #F x 1pc



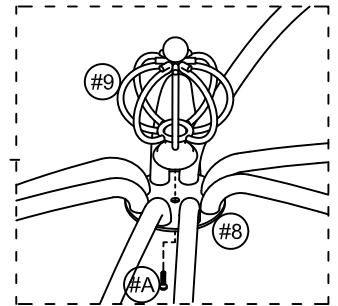
Attach each Post (#10, #11) to the Headboard (#1) and Footboard (#2). Attach each Post (#12, #13) to the Side Guard Rail (#3). Insert bolts (#B) and secure using the Allen wrench (#F).

## 4

- Part #8 x1pc
- Part #9 x1pc
- Hardware #A x9pcs
- Hardware #F x1pc

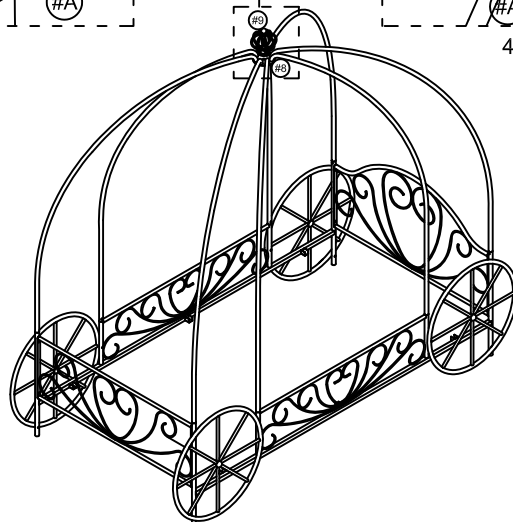


4.1



4.2

4.1 Attach Posts (#10, #11, #12 & #13) to Connector Board (#8) with bolts (#A) and secure using the Allen wrench (#F).  
4.2 Attach Top Ball (#9) to Connector Board (#8) with bolts (#A) and secure using the Allen wrench (#F).



# ASSEMBLY INSTRUCTIONS

## 5

Part #6 x 3pcs

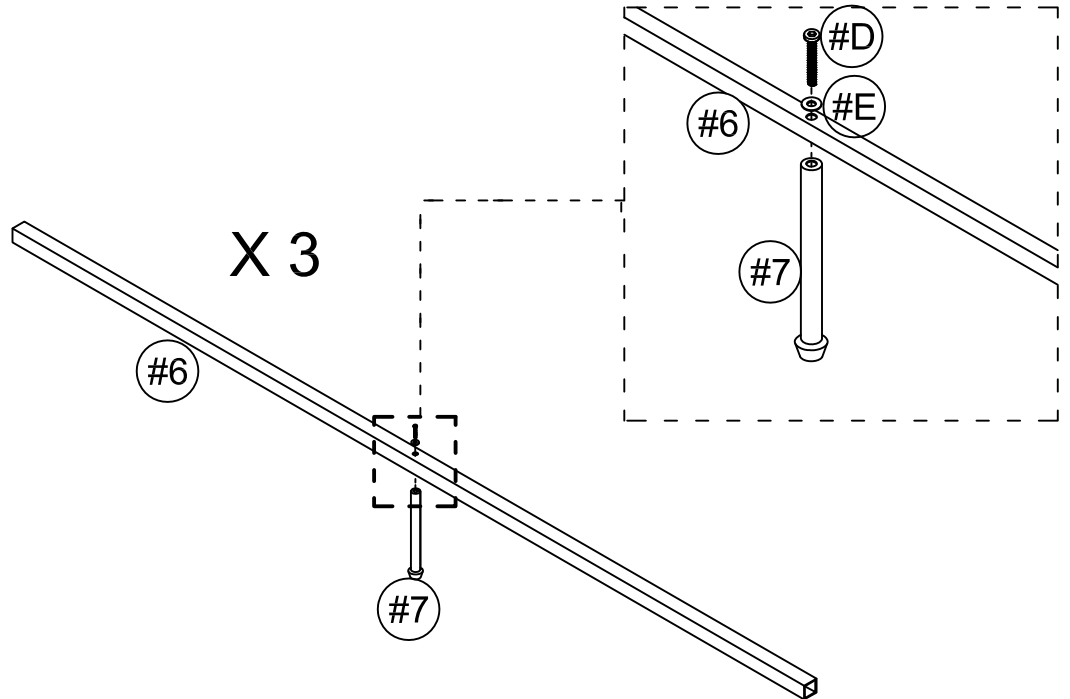
Part #7 x 3pcs

Hardware #D x 3pcs

Hardware #E x 3pcs

Hardware #F x 1pc

Align the support legs (#7) to the holes along the slats (#6), insert a bolt (#D) with flat washer (#E) into each hole from above. Secure using the Allen wrench (#F).

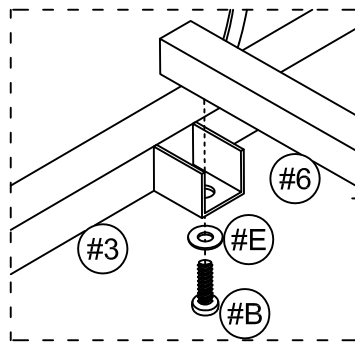


## 6

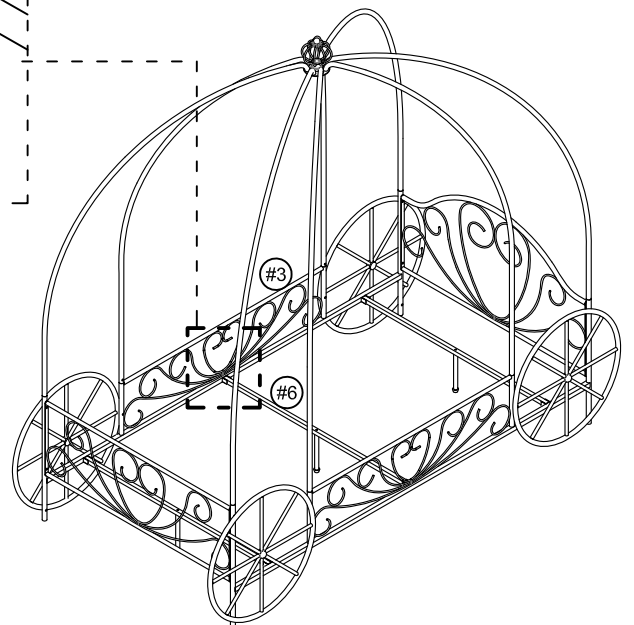
Hardware #B x6pcs

Hardware #E x6pcs

Hardware #F x1pc

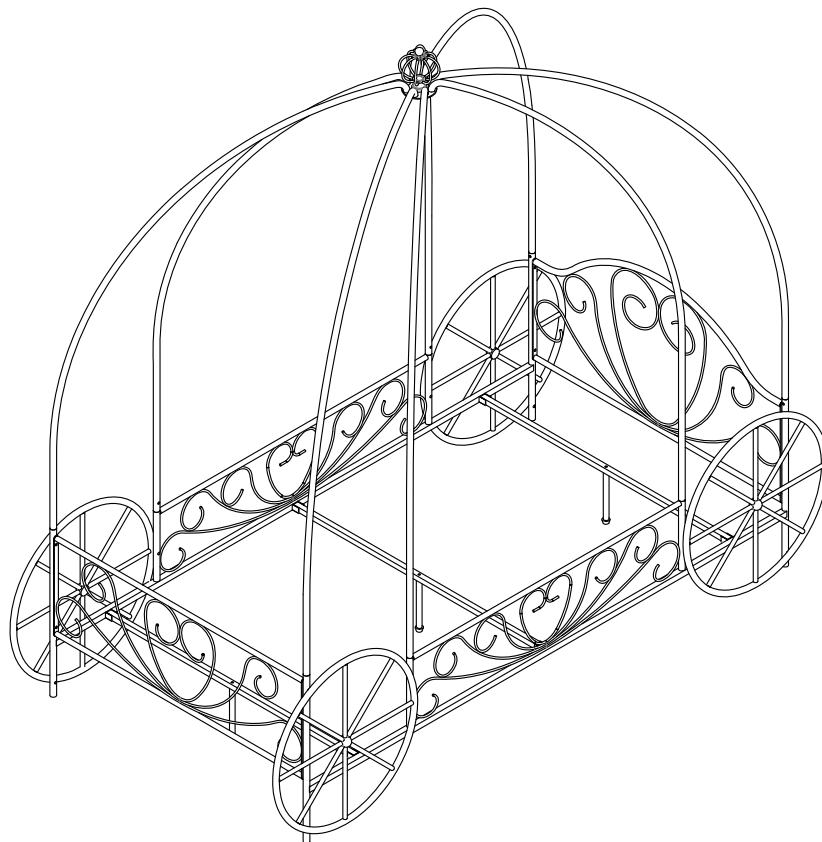


Place the slats onto the slots along the side rails, insert a bolt (#B) with flat washer (#E) into each hole from below, secure using the Allen wrench (#F).



# ASSEMBLY INSTRUCTIONS

7



## WARNINGS:

- Use only mattress which is 74"-75" long and 37 $\frac{1}{2}$ "-38 $\frac{1}{2}$ " wide.
- Do not allow horseplay or under the bed and prohibit jumping on the bed.
- Periodically check and ensure that all the components are in their proper position, free from damage, and that all connectors are tight.
- Do not substitute parts, contact the store for replacement parts.
- Maximum total weight is not to exceed 400 lbs.

- **Keep these instructions for future reference.**

## ASSEMBLY COMPLETED



Please ensure the furniture rests on an even and flat surface. If the product wobbles or feels loose, double-check all bolts and/or screws are properly tightened and secured.



### Keep this handy !

Please retain this instruction manual and any order-related information for future reference.



### Lift don't drag !

To avoid damage to product please always LIFT the product when transporting or adjusting the placement.

This product is intended for RESIDENTIAL USE ONLY and not for commercial use.