

# JVX5300EJ/SJ

## GE Appliances 30" Under the Cabinet Hood

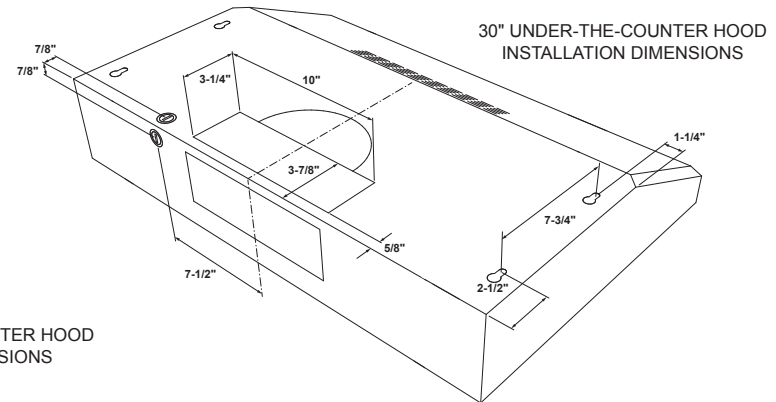
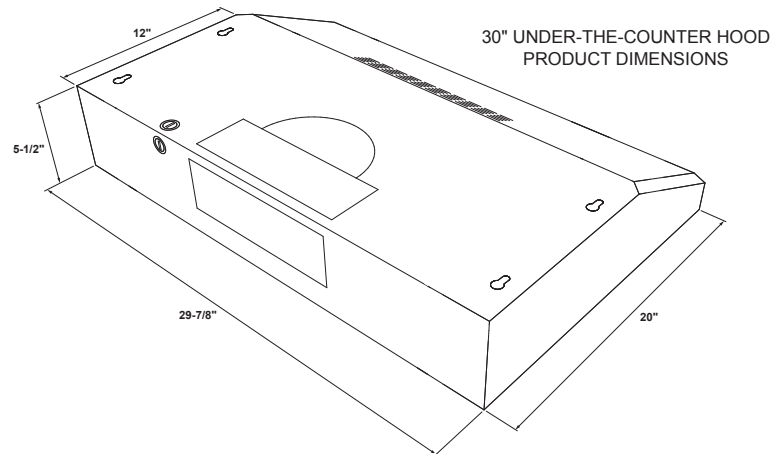
### DIMENSIONS AND INSTALLATION INFORMATION (IN INCHES)

WB02X11537 replacement grease filter and WB02X11000 replacement charcoal filter are available for additional cost. Call toll-free 800.626.2000.

**JXHC1 Cord Kit:** Allows a receptacle in the cabinet over the range to accommodate either an over-the-range microwave oven or a standard hood.

**Installation Information:** Before installing, consult installation instructions, packed with product, for current dimensional data.

AMP RATING	
120V	2.5



Exhaust outlet connects to 3-1/4" x 10" rectangular duct. Vent top or rear. Includes rectangular damper.



For answers to your Monogram, GE Café™ Series, GE Profile™ Series or GE Appliances product questions, visit our website at [geappliances.com](http://geappliances.com) or call GE Answer Center® Service, 800.626.2000.



# JVX5300EJ/SJ

## *GE Appliances 30" Under the Cabinet Hood*

### **FEATURES AND BENEFITS**

Easy installation – 10 minutes or less by one person

Four-speed with boost, 300 CFM venting system – Removes smoke, grease, odors and moisture

Electronic backlit controls – Add a sophisticated look with this up-front, easy-to-use display

Dual halogen lighting with nightlight – Enjoy better visibility with a brightly lit cooktop and surrounding surface

Auto-off – Set the vent hood to automatically shut off after 15 minutes

Convertible venting options – Select recirculating or external venting

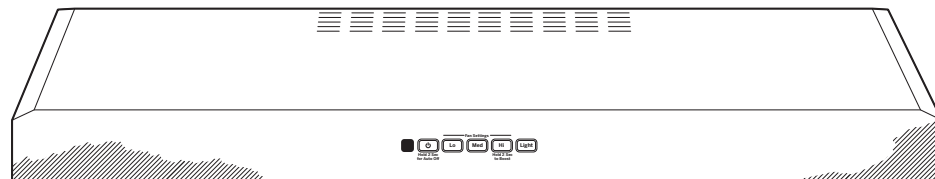
Vertical and rear exhaust – Exhausts from the top or rear of the hood

Appearance (Fully enclosed bottom) – Enjoy a sleek appearance from every angle

Optional remote control – Control your ventilation lighting and fan speed from anywhere in the kitchen

Model JVX5300SJSS – Stainless steel

Model JVX5300EJES – Slate



<b>CFM/SONES RATINGS</b>	
Exhaust Boost Speed (BS)	300/6.5
Exhaust High Speed (HS)	230/3.0
Exhaust Medium Speed (MS)	180/2.2
Exhaust Working Speed (WS)	120/1.5

