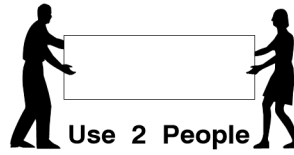
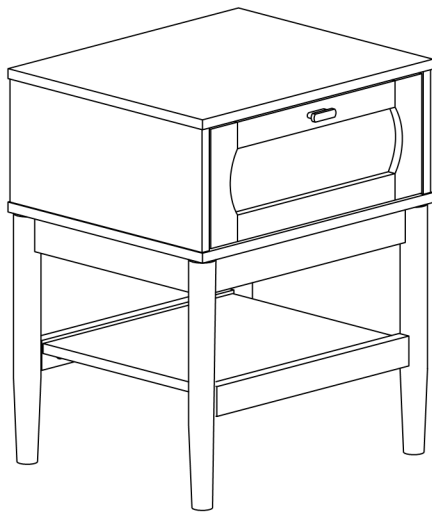


9013 1 Drawer 1 Shelf Nightstand

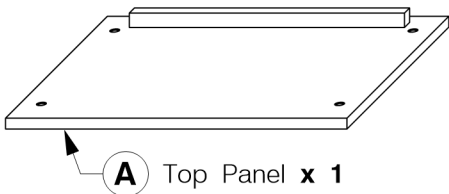
Assembly Instructions

WI-0724

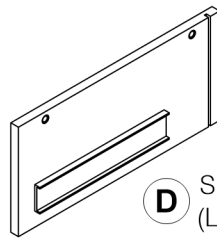


Note: Do not assemble using power tools. This can cause the bolts to be overtightened

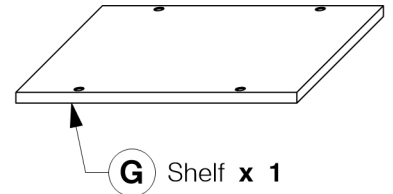
1 Parts List



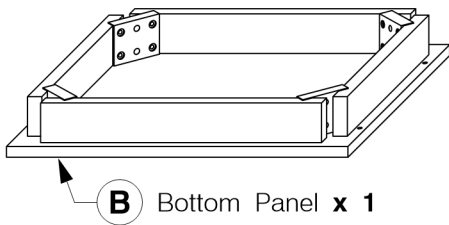
A Top Panel x 1



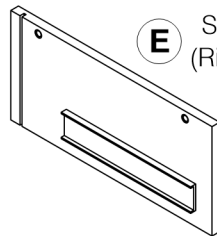
D Side Panel (Left Hand) x 1



G Shelf x 1



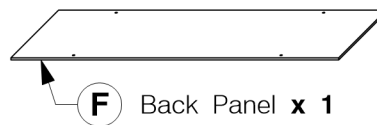
B Bottom Panel x 1



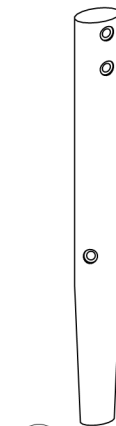
E Side Panel (Right Hand) x 1



C Shelf Support x 2



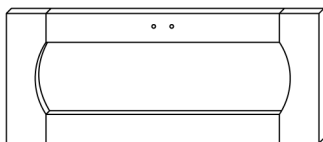
F Back Panel x 1



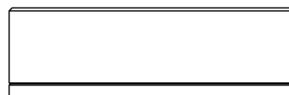
H Post (Left Hand) x 2



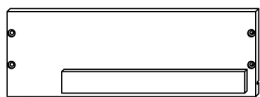
J Post (Right Hand) x 2



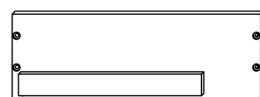
K Drawer Face x 1



L Drawer Back x 1



M Drawer Side (Left Hand) x 1



N Drawer Side (Right Hand) x 1







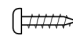
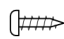





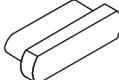

O Drawer Bottom x 1

9013 1 Drawer 1 Shelf Nightstand

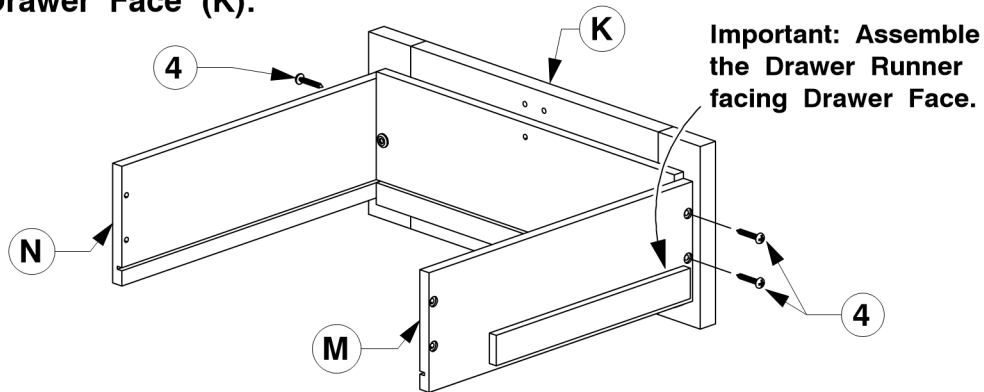
Assembly Instructions

WI-0724

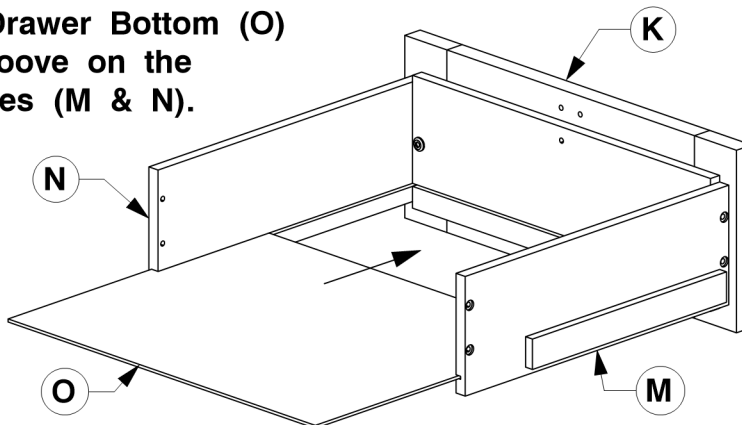
2 Hardware List

- | | | | | | | |
|--|--|--|---|---|---|--|
| 
1 M6 x 15mm JCB
x 16 | 
2 M6 x 40mm JCB
x 4 | 
3 M6 x 60mm JCB
x 8 | 
4 M4 x 25mm Wood Screw
x 8 | 
5 M4 x 20mm Wood Screw
x 2 | 
6 M4 x 16mm Wood Screw
x 4 | |
| 
7 CSK Cap Wood Screw (M6 x 60mm) x 4 | 
8 Spring Washer x 8 | 
9 Flat Washer x 8 | 
10 'L' Bracket (5005-3) x 8 | 
11 M4 x 25mm Wood Screw x 2 | 
12 Handle (3321-25) x 1 | 
13 Allen Key x 1 |

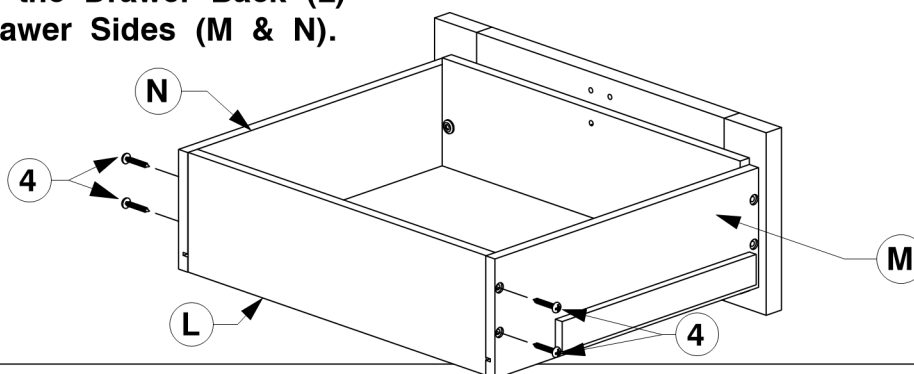
3 Assemble the Drawer Sides (M & N) to the Drawer Face (K).



4 Slide the Drawer Bottom (O) into the groove on the Drawer Sides (M & N).



5 Assemble the Drawer Back (L) to the Drawer Sides (M & N).

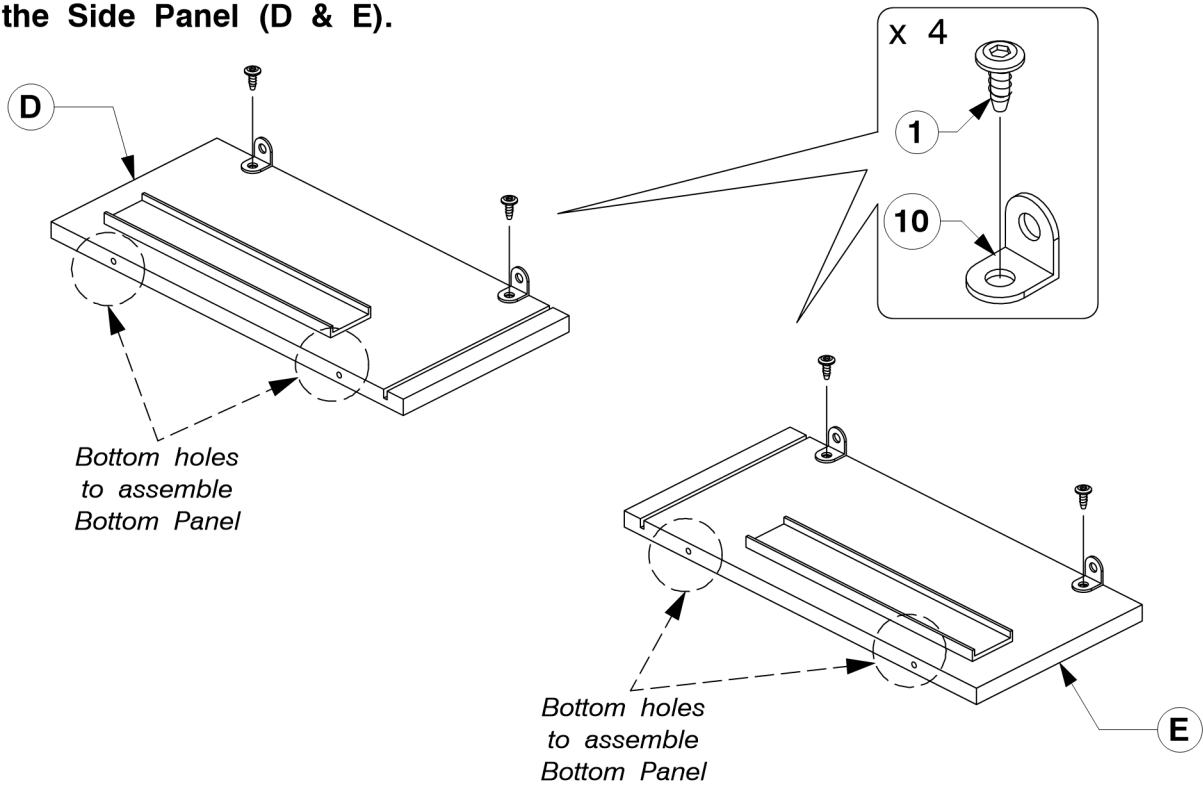


9013 1 Drawer 1 Shelf Nightstand

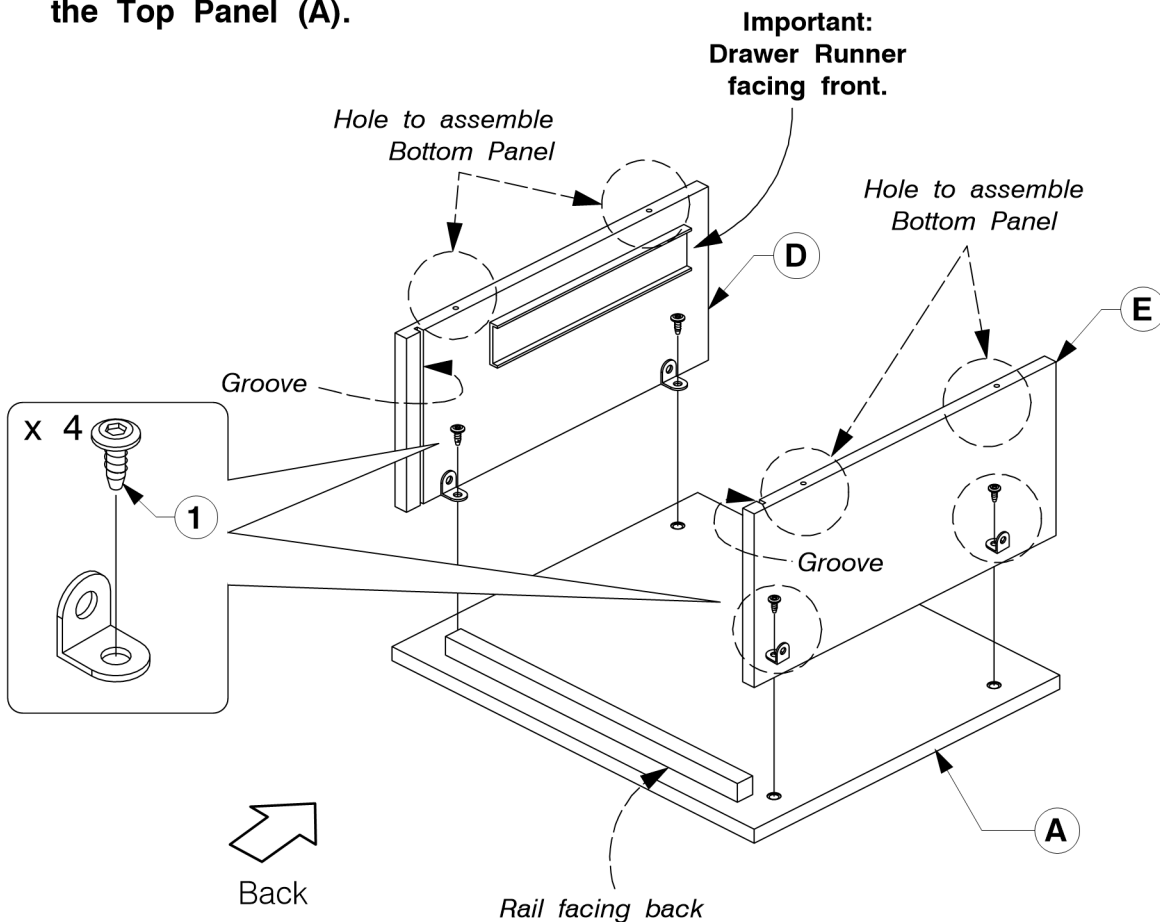
Assembly Instructions

WI-0724

6 Fit the 'L' Bracket to the Side Panel (D & E).



7 Assembled the Side Panel (D & E) to the Top Panel (A).

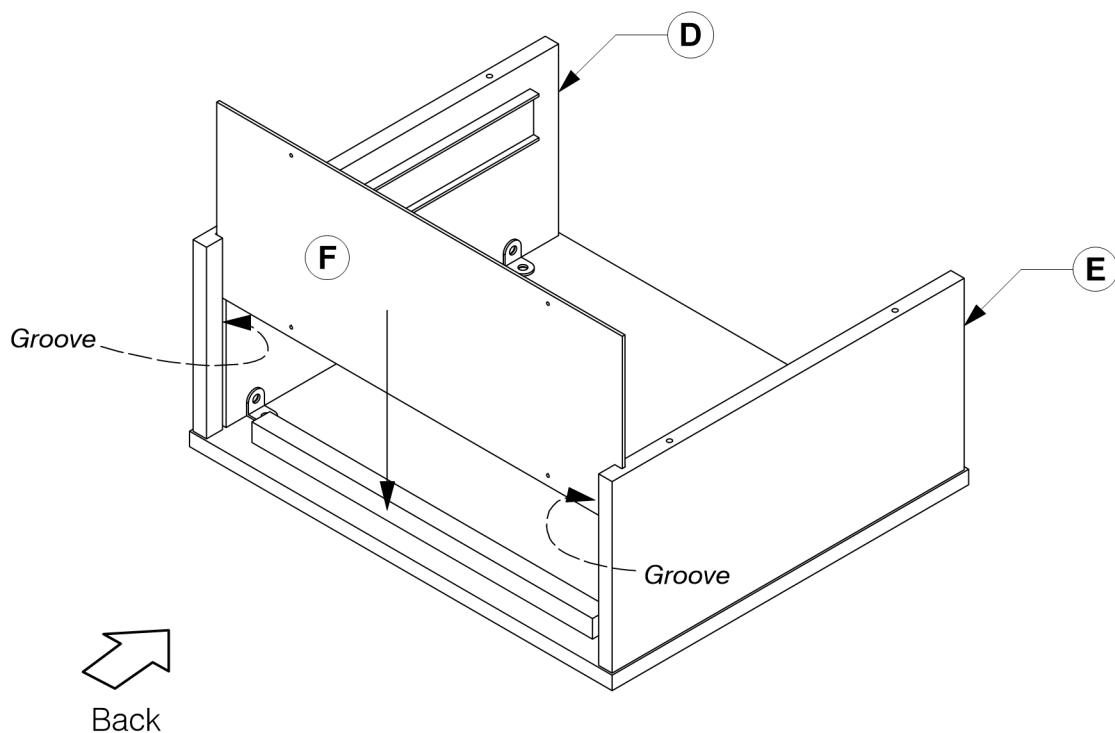


9013 1 Drawer 1 Shelf Nightstand

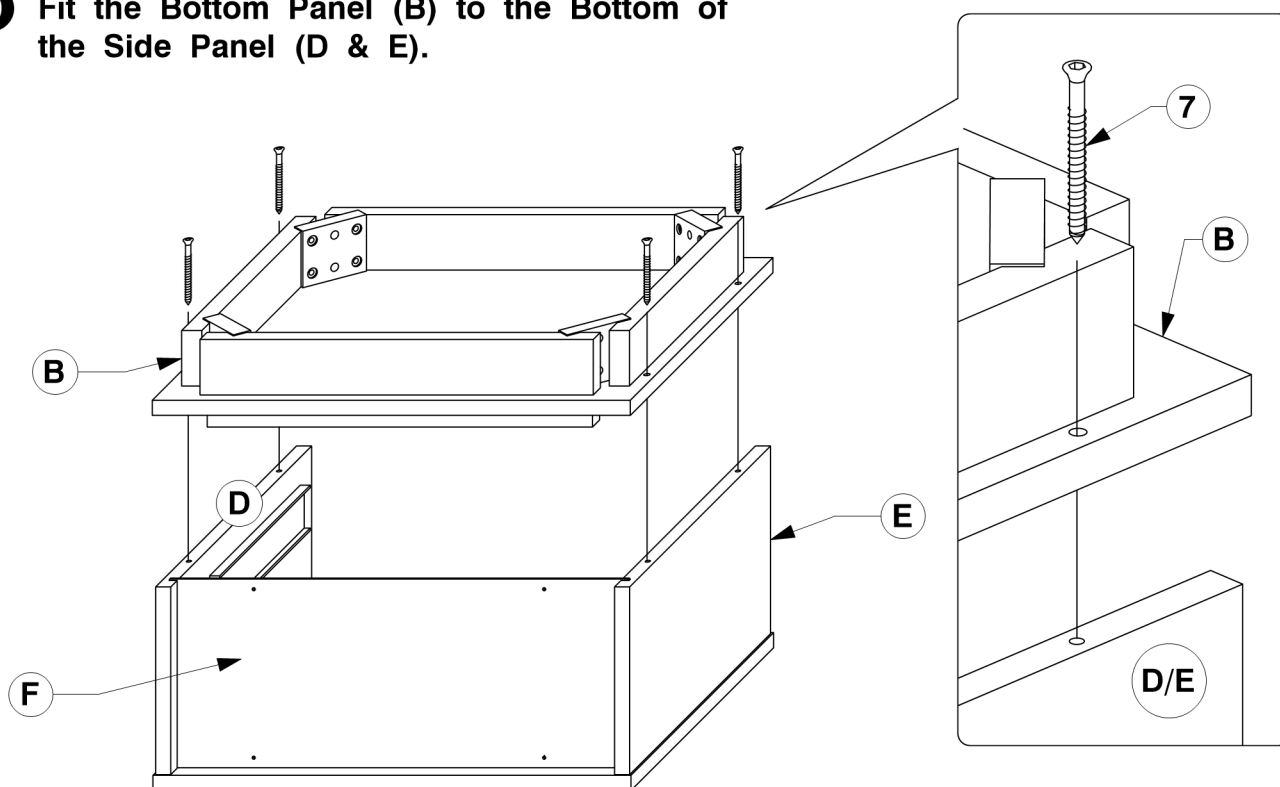
Assembly Instructions

WI-0724

- 8** Slide the Back Panel (F) into the groove on the back of the Side Panel (D & E).



- 9** Fit the Bottom Panel (B) to the Bottom of the Side Panel (D & E).

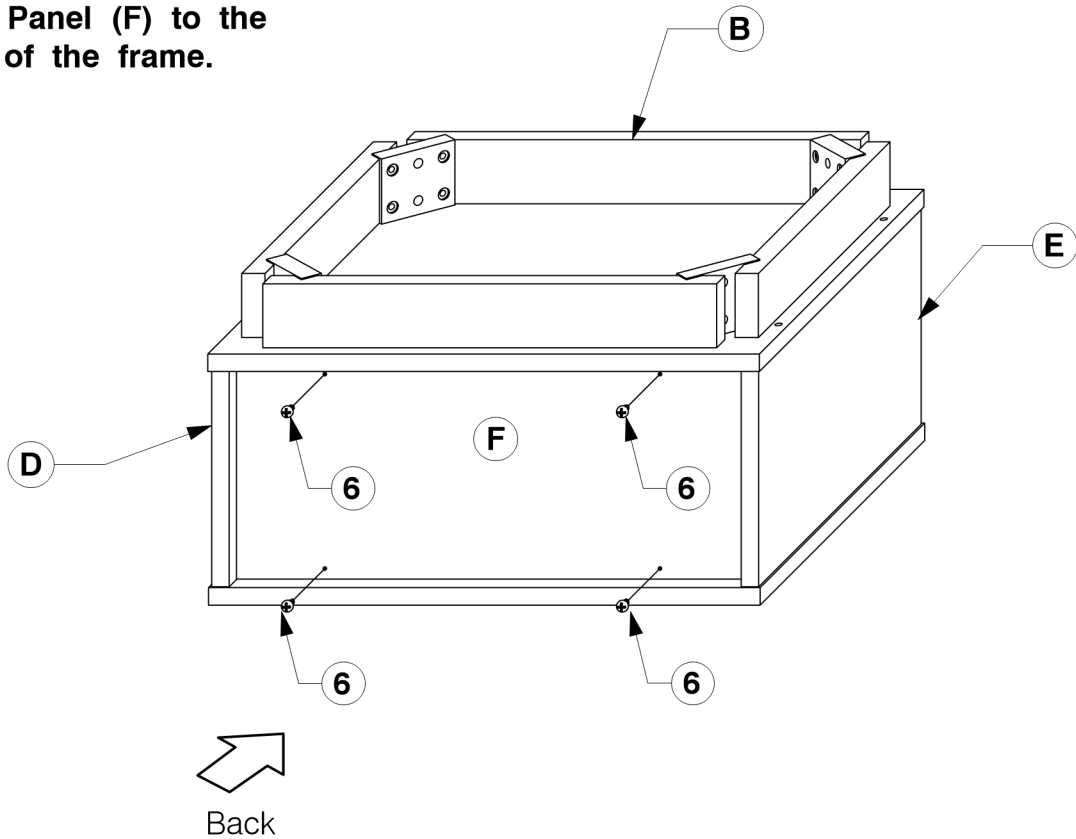


9013 1 Drawer 1 Shelf Nightstand

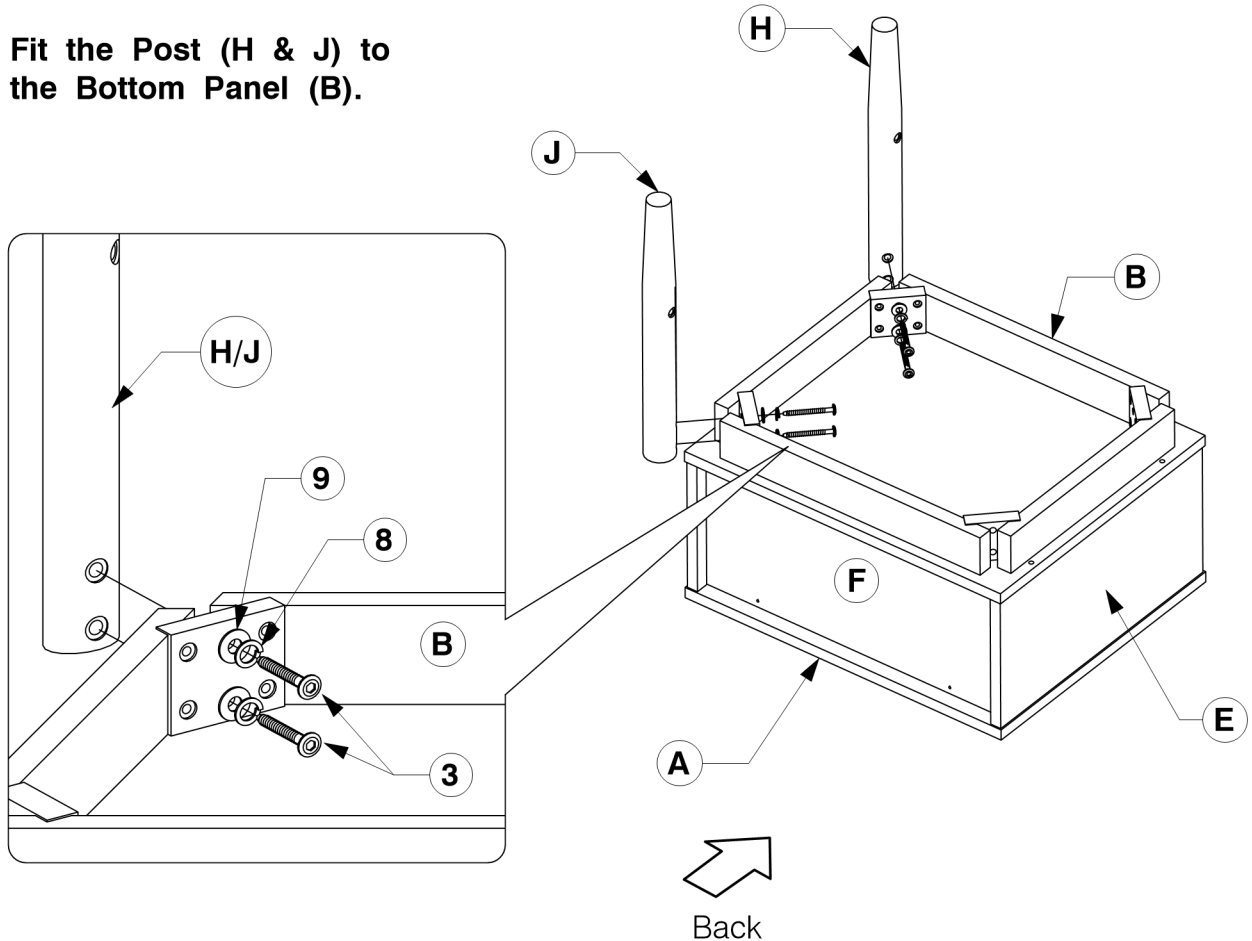
Assembly Instructions

WI-0724

- 10** Use screws to tighten the Back Panel (F) to the back of the frame.



- 11** Fit the Post (H & J) to the Bottom Panel (B).

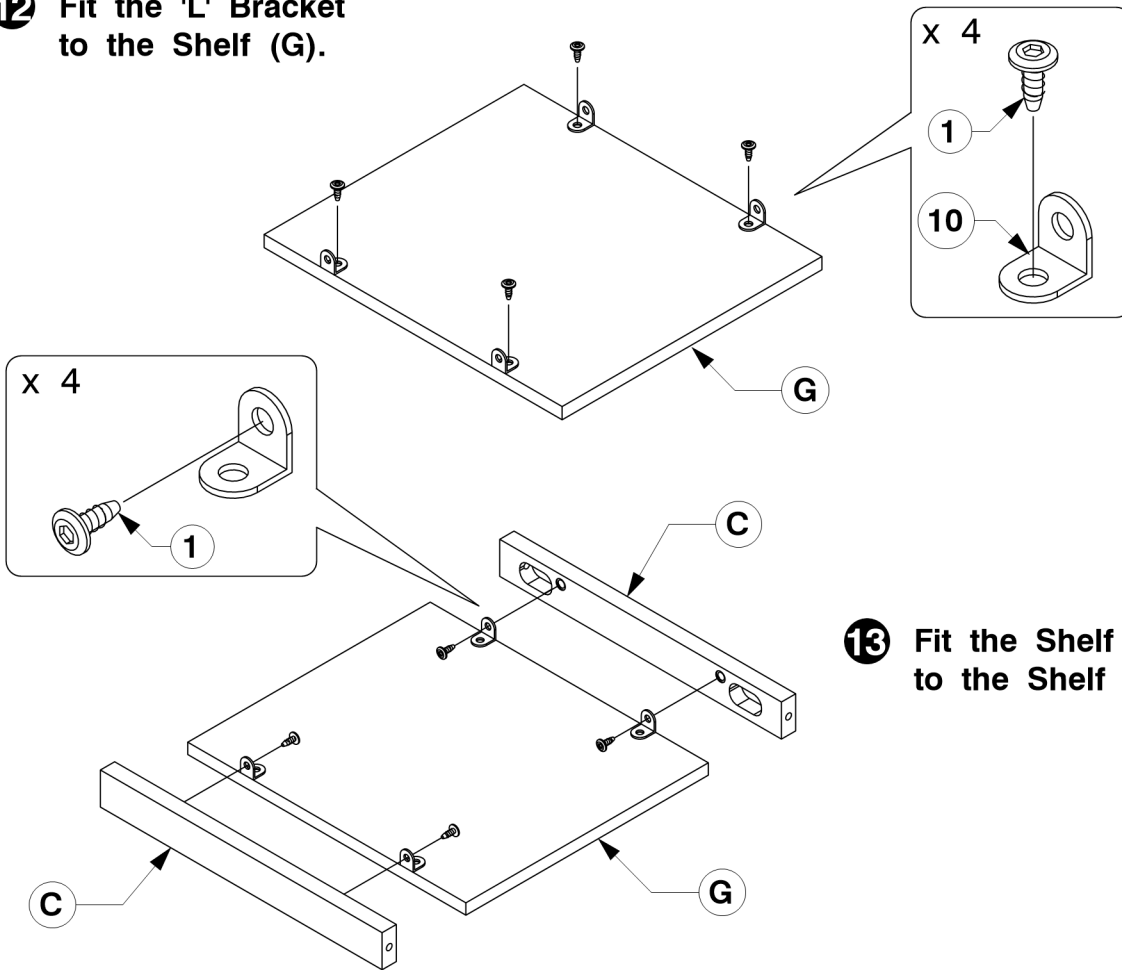


9013 1 Drawer 1 Shelf Nightstand

Assembly Instructions

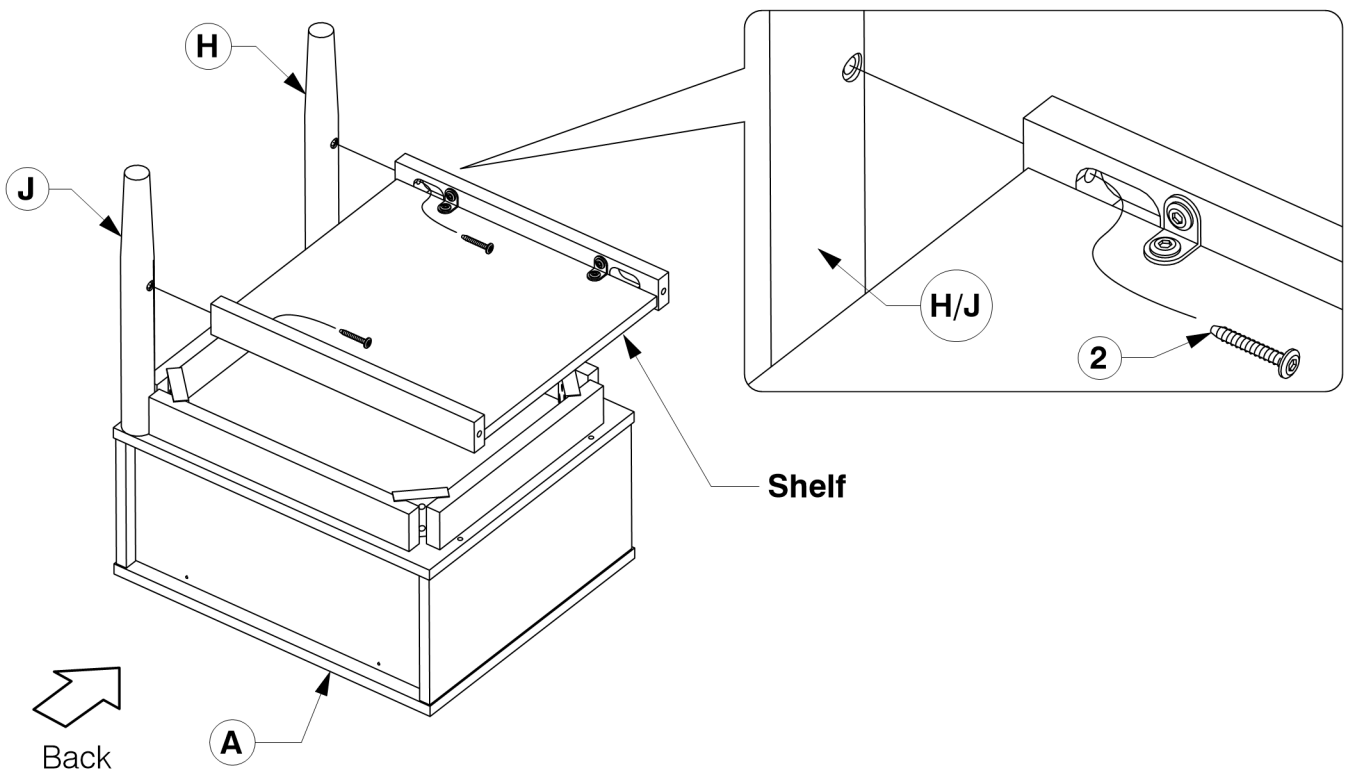
WI-0724

12 Fit the 'L' Bracket to the Shelf (G).



13 Fit the Shelf Supports (C) to the Shelf (G).

14 Fit the Shelf to the Posts (H & J).

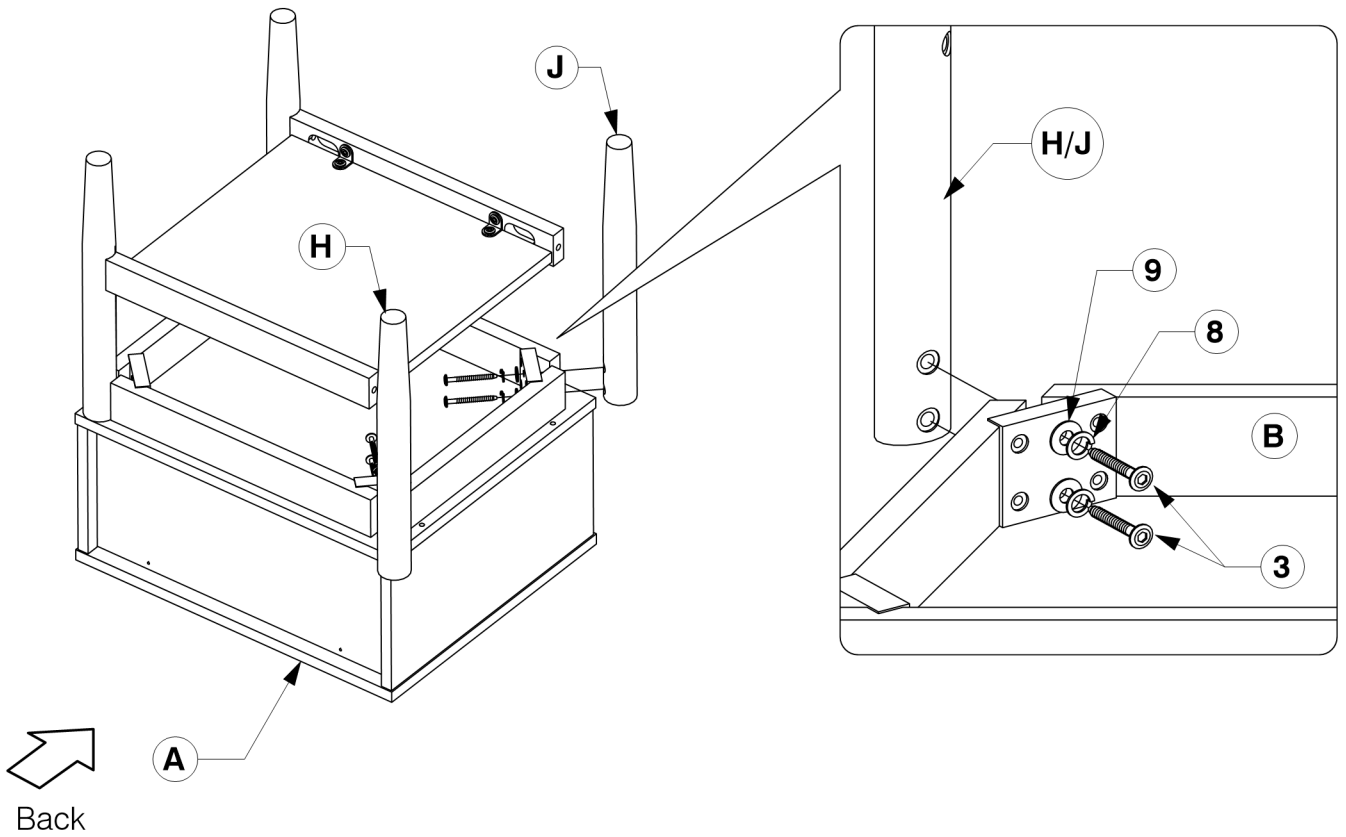


9013 1 Drawer 1 Shelf Nightstand

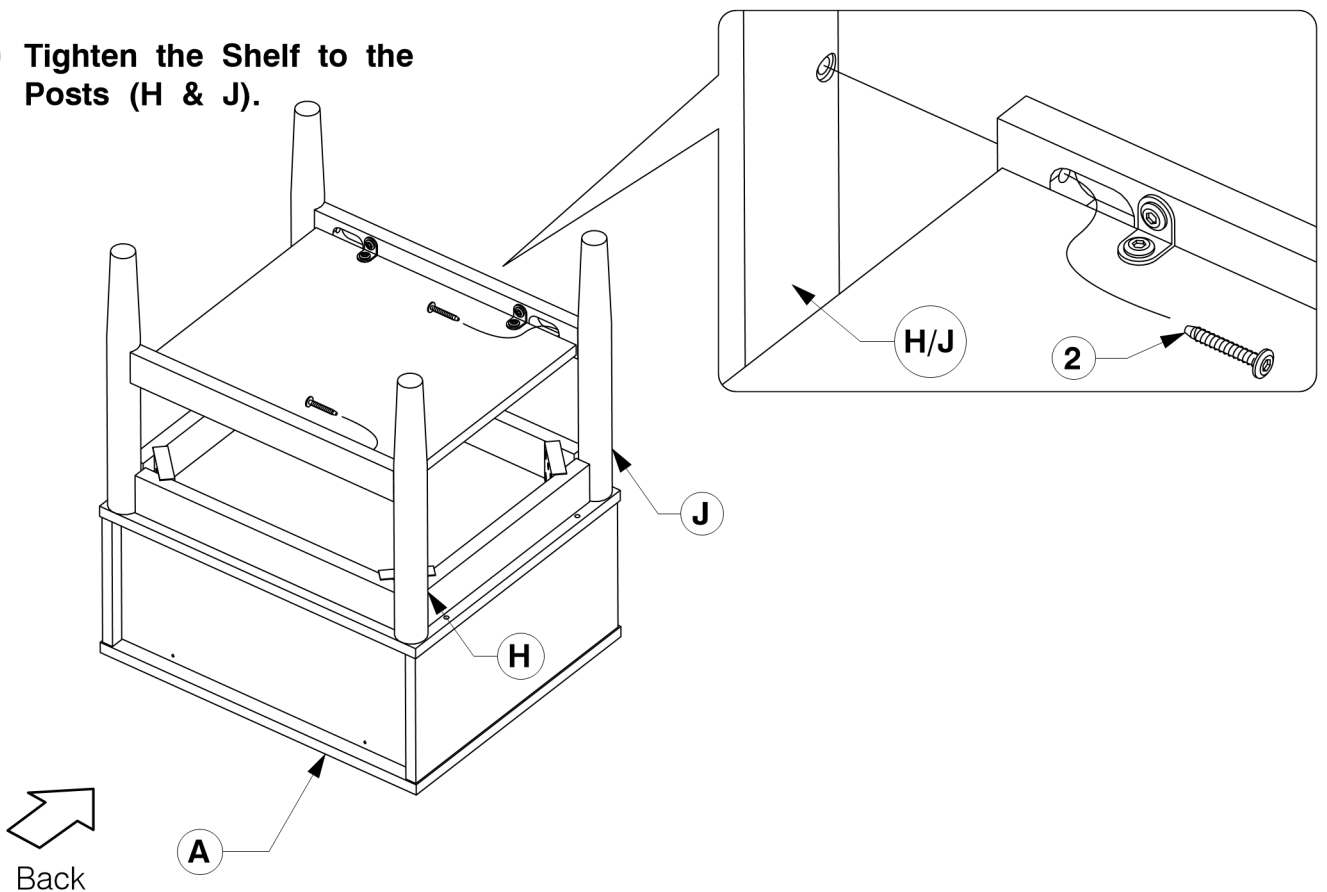
Assembly Instructions

WI-0724

15 Fit Posts (H & J) to the Bottom Panel (B).



16 Tighten the Shelf to the Posts (H & J).



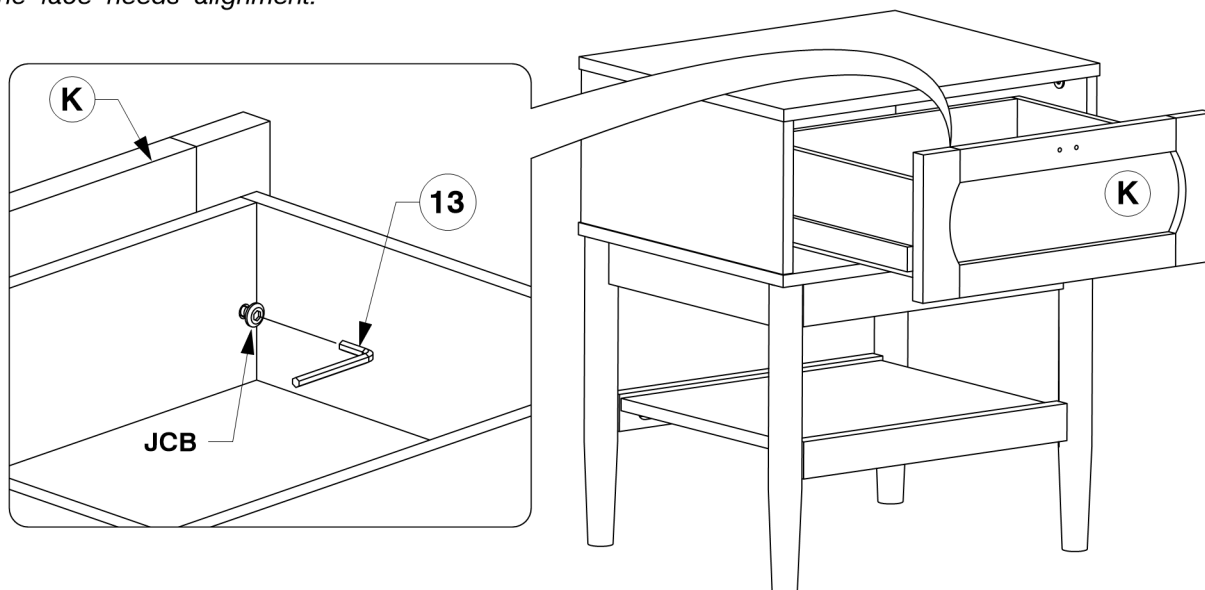
9013 1 Drawer 1 Shelf Nightstand

Assembly Instructions

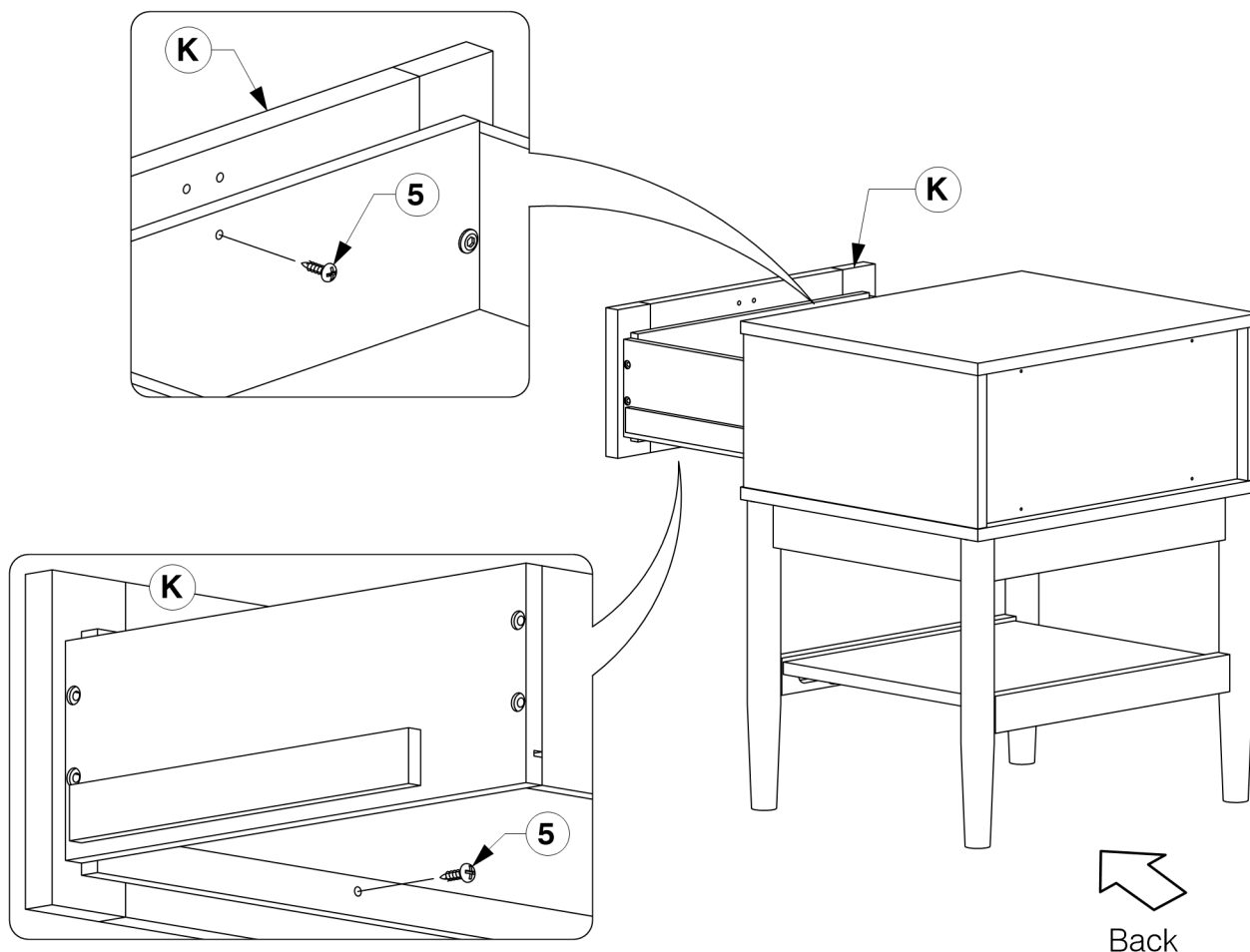
WI-0724

17 Fit and adjust the Drawer Face (K).

* NOTE: Before fitting the Wood Screws.
Loosen the JCBs on the Drawer Face if
the face needs alignment.



18 After the Drawer Faces (K) are aligned, secure with wood screws.



9013 1 Drawer 1 Shelf Nightstand

Assembly Instructions

WI-0724

19 Finally, fit the Handle to the Drawer Face (K).

