



SPEED
CHAMPIONS

77254



LEGO® Builder



Get excited about our new packaging!

We're switching from plastic to paper-based packaging. That's why you might find a mix of paper and plastic in our boxes!

Nos nouveaux emballages vous emballeront !

Nous passons des emballages en plastique aux emballages à base de papier. C'est pourquoi vous pourriez trouver un mélange de papier et de plastique dans nos boîtes !

¡Te presentamos nuestros nuevos empaques!

Estamos sustituyendo las bolsas de plástico por bolsas con base de papel. ¡Por eso, puedes encontrar una mezcla de papel y de plástico en nuestras cajas!

[LEGO.com/sustainable-packaging](https://www.lego.com/sustainable-packaging)

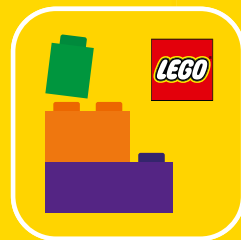


BUILDER



Apple and the Apple logo are trademarks of Apple Inc., registered in the U.S. and other countries and regions. App Store is a service mark of Apple Inc. Google Play and the Google Play logo are trademarks of Google LLC. Tencent and the Tencent logo are trademarks of Tencent Inc.

Q [LEGO.com/devicecheck](https://www.lego.com/devicecheck)



Q LEGO® Builder

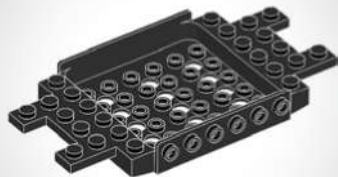
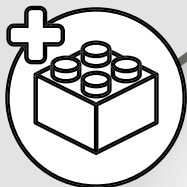
EN Ask parents' permission before going online | DE Eltern um Erlaubnis bitten, bevor du online gehst | FR Demande l'autorisation d'un parent avant d'aller en ligne | IT Chiedi il permesso ai tuoi genitori prima di andare online | ES Pídeles permiso a tus papás antes de conectarte a Internet | PT Peça autorização aos pais antes de acederes online | ZH 上网前应先征得父母的同意 | PL Poproś rodziców o zgodę, zanim wejdiesz do Internetu | CS Než půjdeš na internet, požádej rodiče o svolení | SK Skôr než pôjdeš na internet, vypýtaj si povolenie od rodičov | HU Kérj szülői engedélyt, mielőtt online csatlakoznál! | UA Запитуйте дозволу батьків, перш ніж користуватися інтернетом | RO Cere permisiunea părinților înainte de a te conecta online | BG Поискайте разрешение от родител, преди да влезете онлайн | LV Pirms došanās tiešsaistē palūdz atļauju vecākiem | ET Enne Interneti kasutamist küsi vanematelt luba | LT Prieš prisijungdami prie interneto, atsiklauskite tėvų



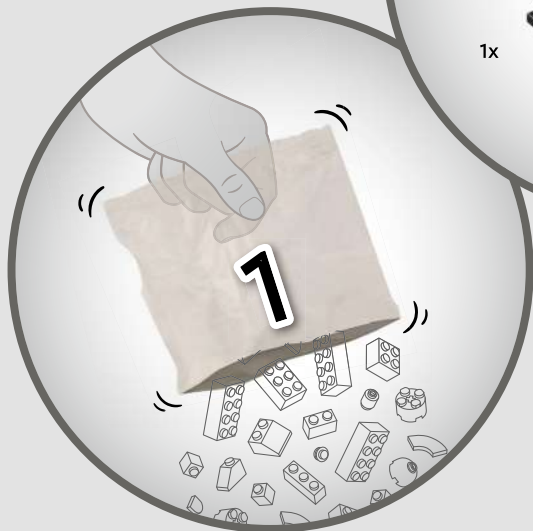
A moving sculpture
Une sculpture mobile
Una escultura móvil



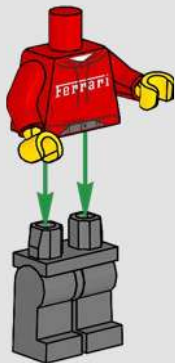
A playful masterpiece
Un chef-d'œuvre ludique
Una obra maestra de la diversión



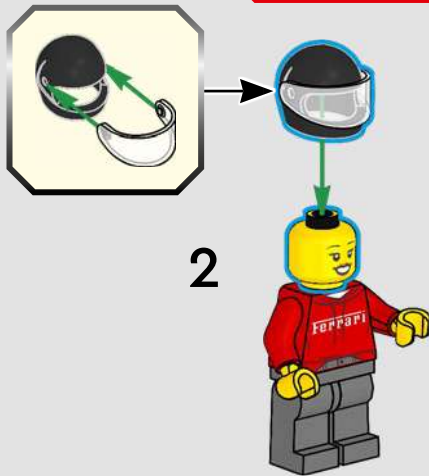
1x



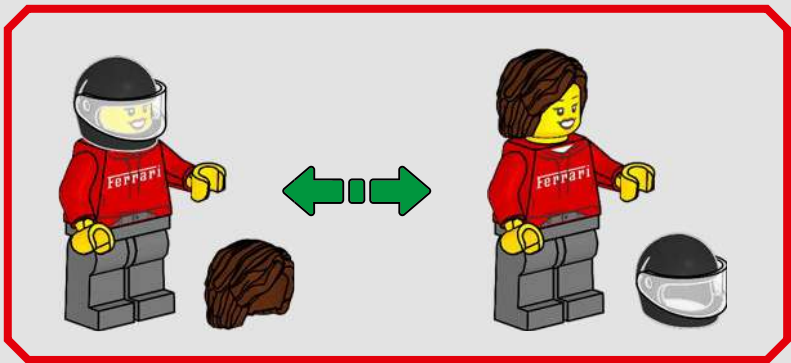
1

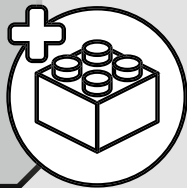
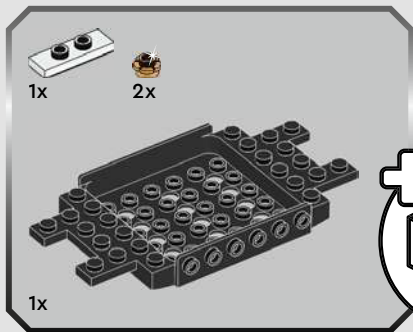


2

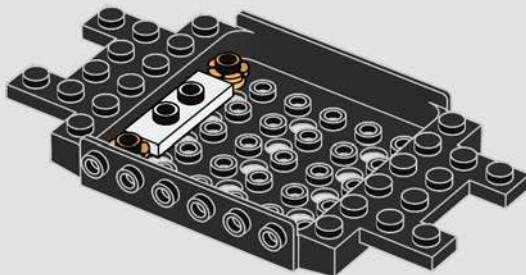


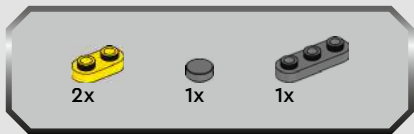
3



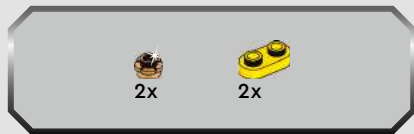
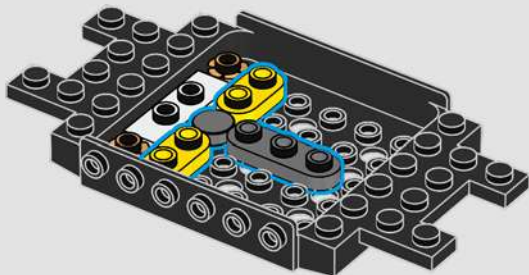


1

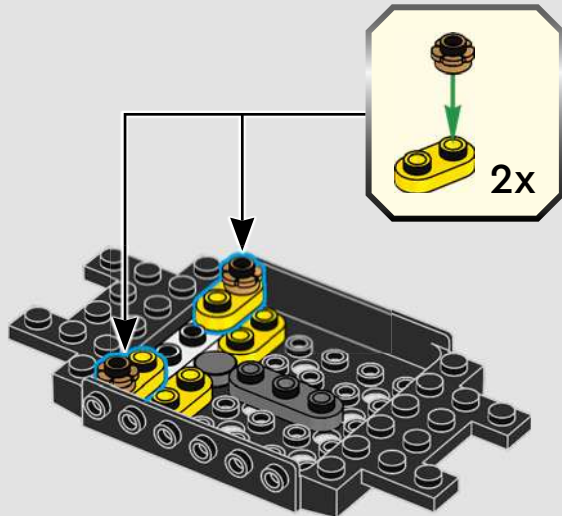




2

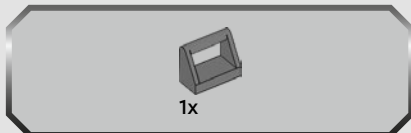
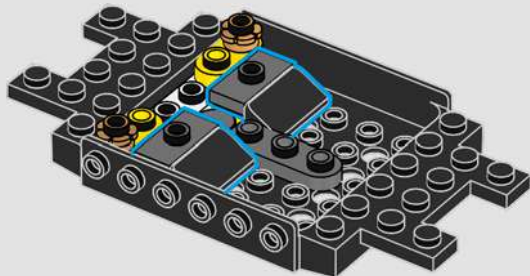


3

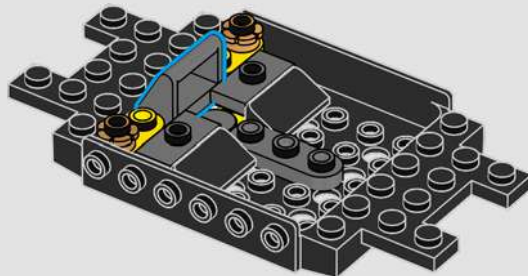




4

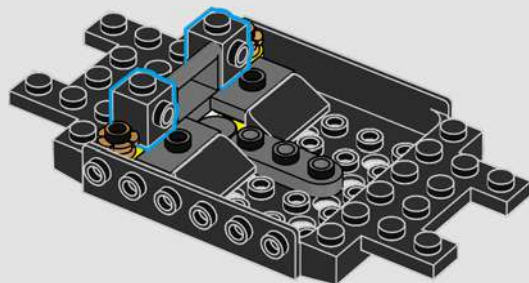


5

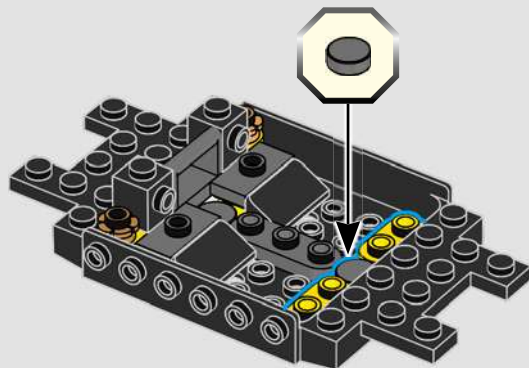


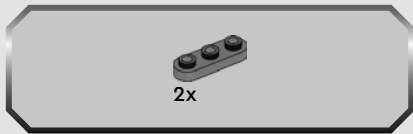


6

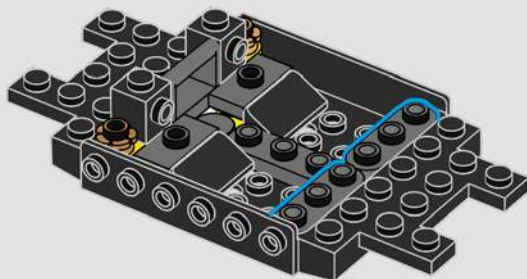


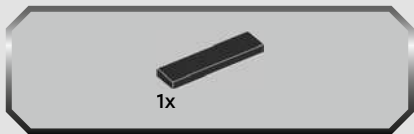
7



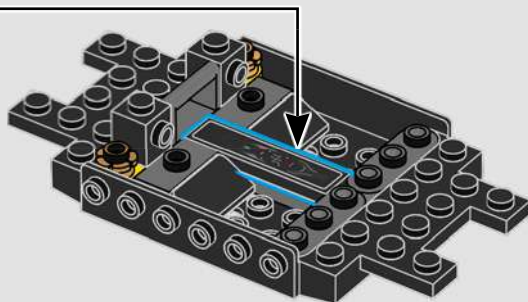
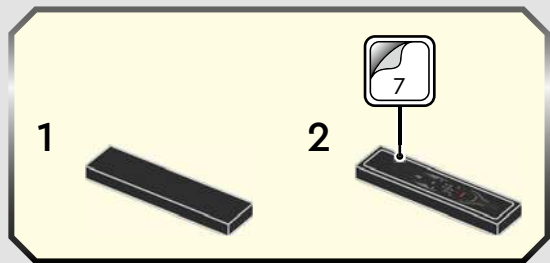


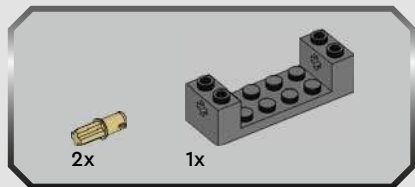
8



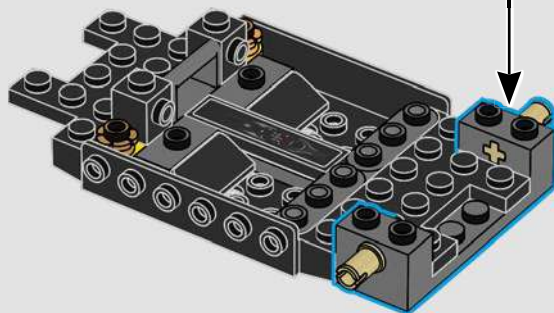
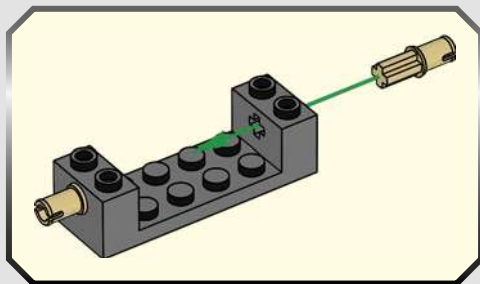


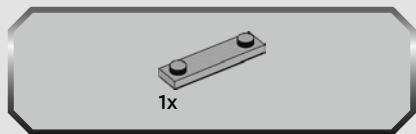
9



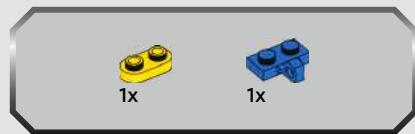
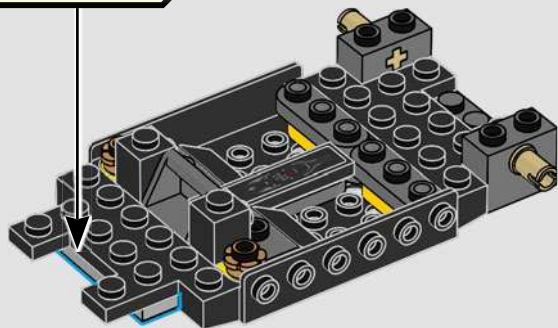
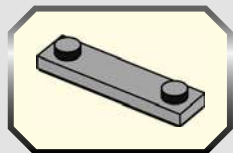


10

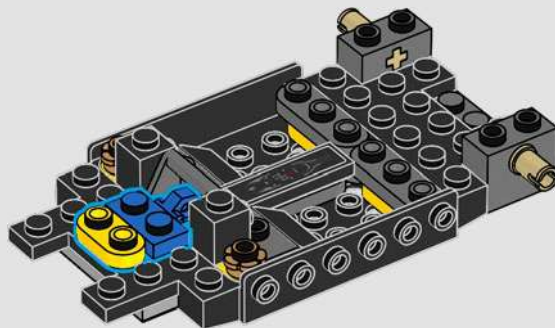




11



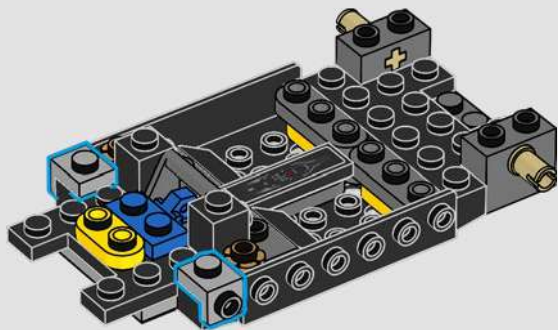
12





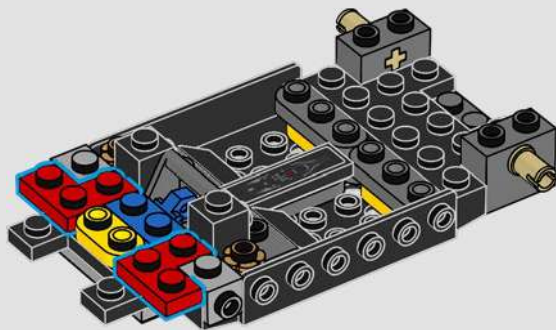
2x

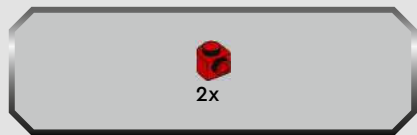
13



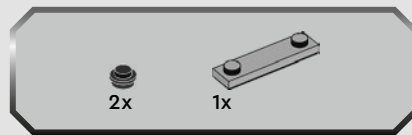
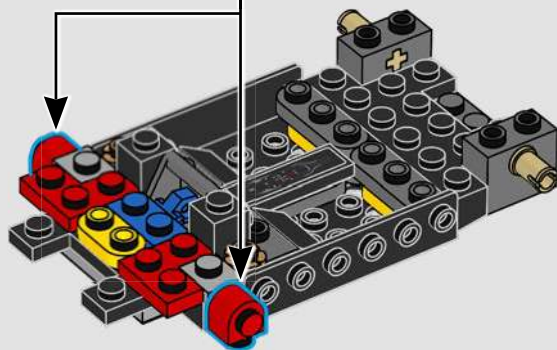
2x

14

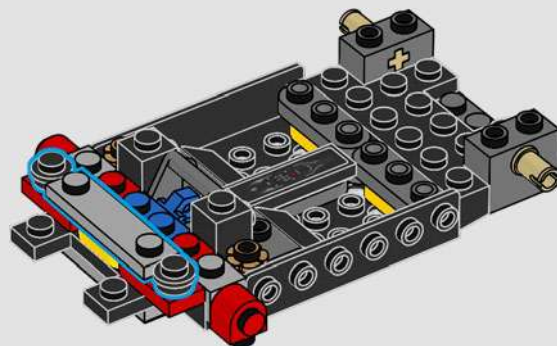


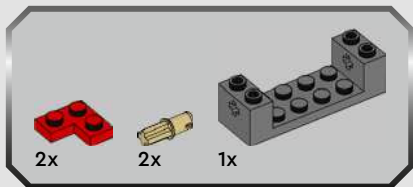


15

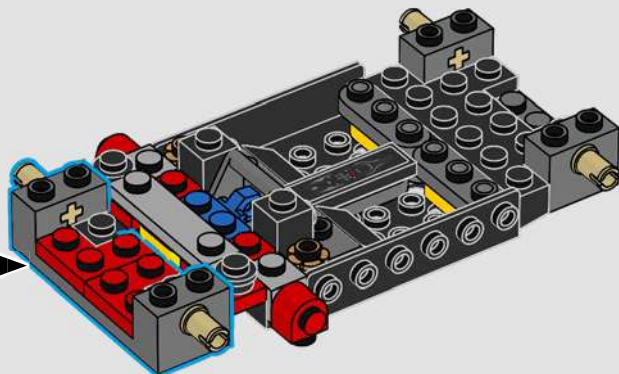
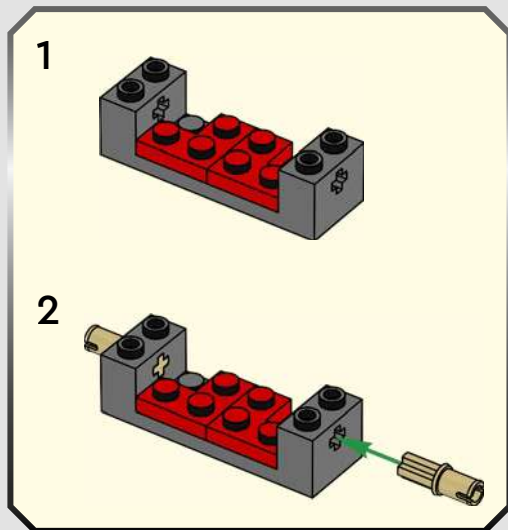


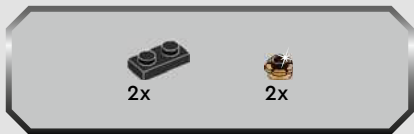
16



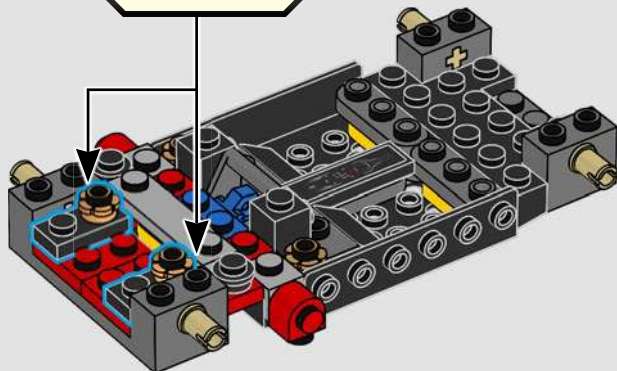
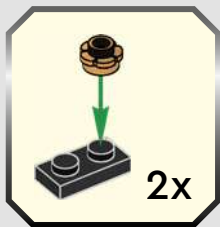


17

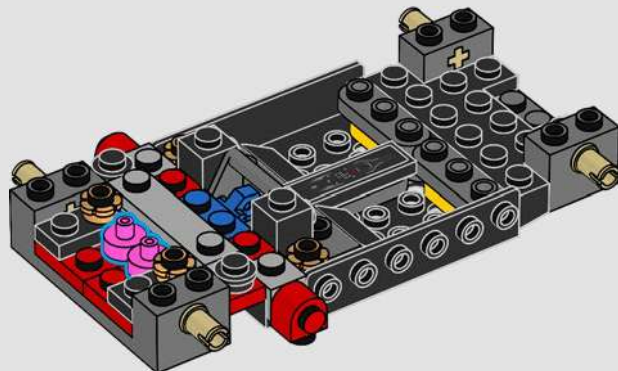


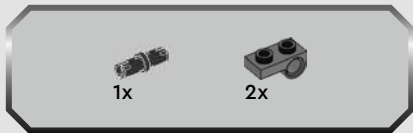


18

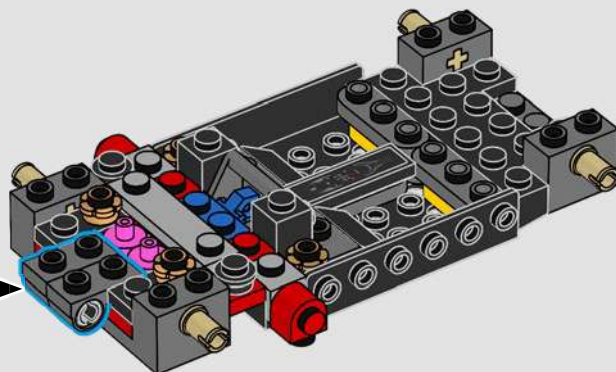
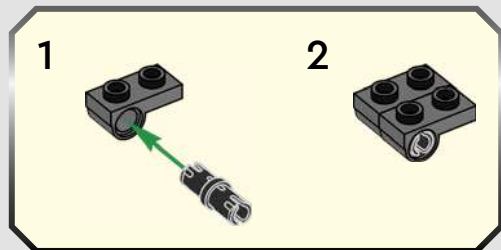


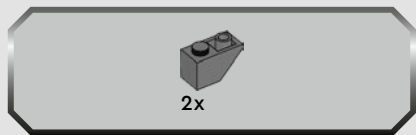
19



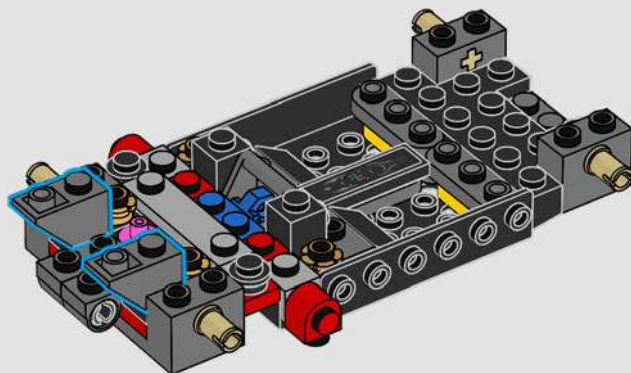


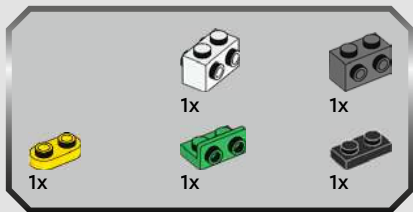
20





21





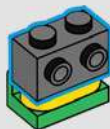
22



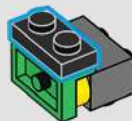
1



2

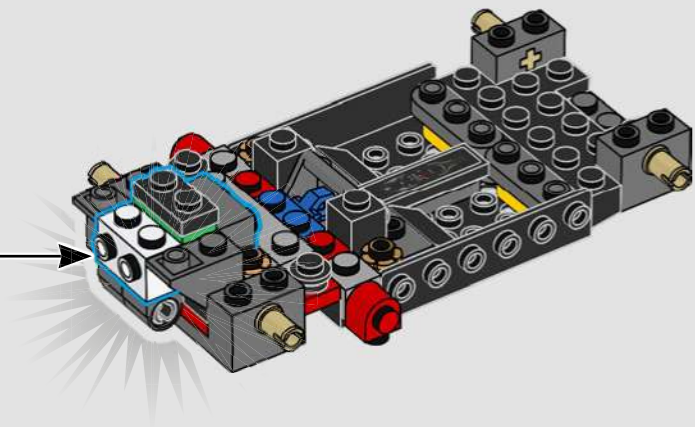


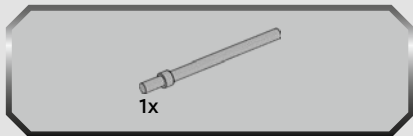
3



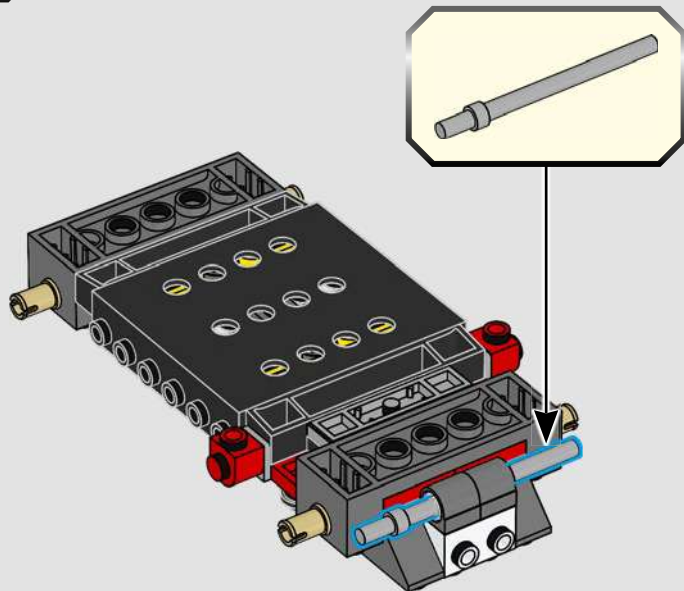
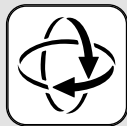
4





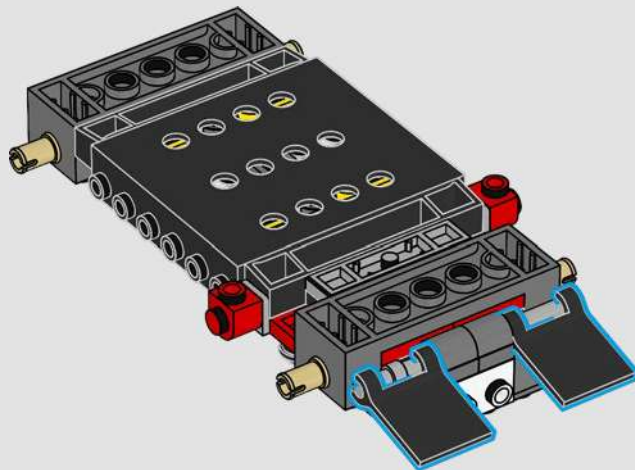


23



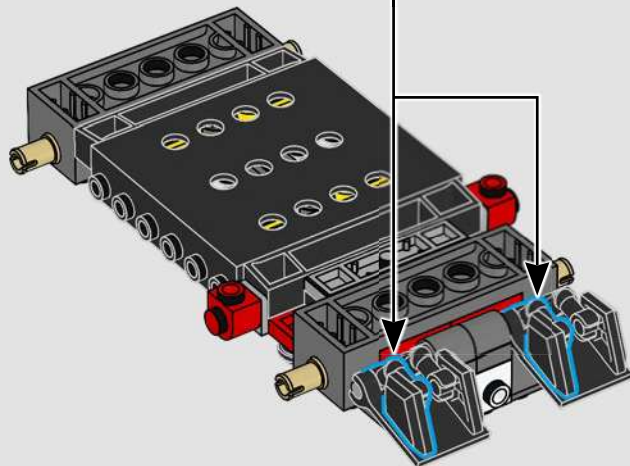


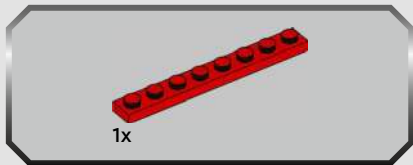
24



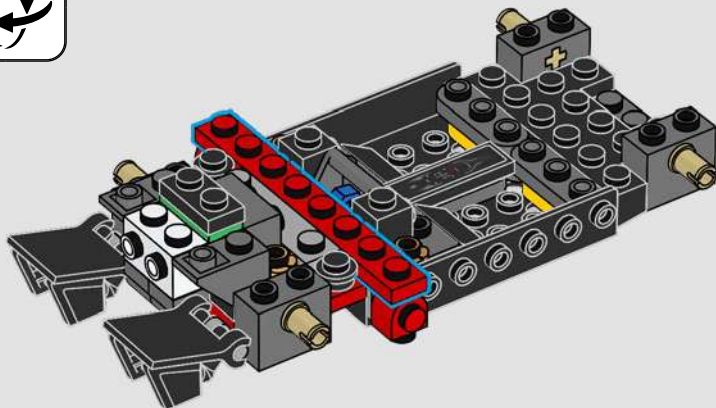


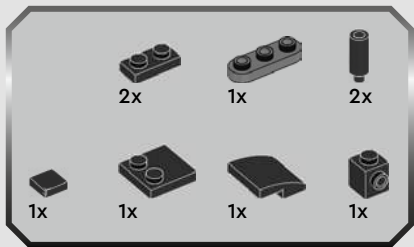
26





27





28

1



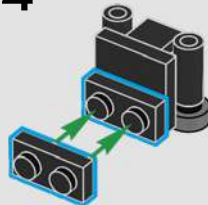
2



3

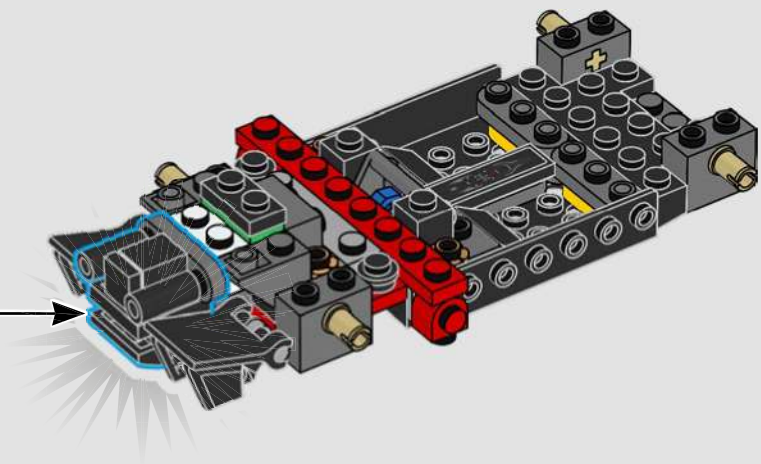


4



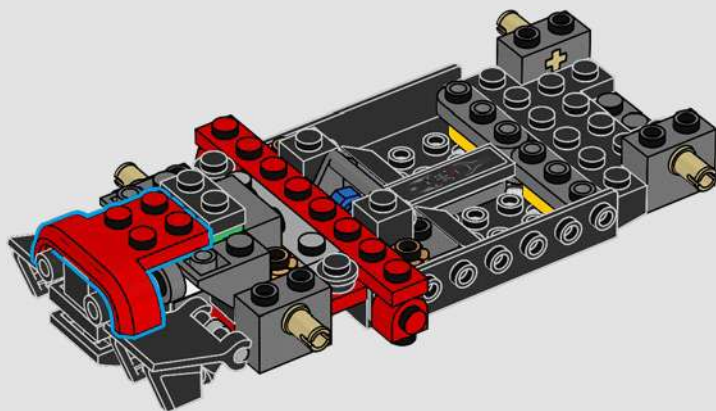
5

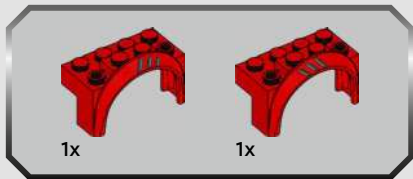




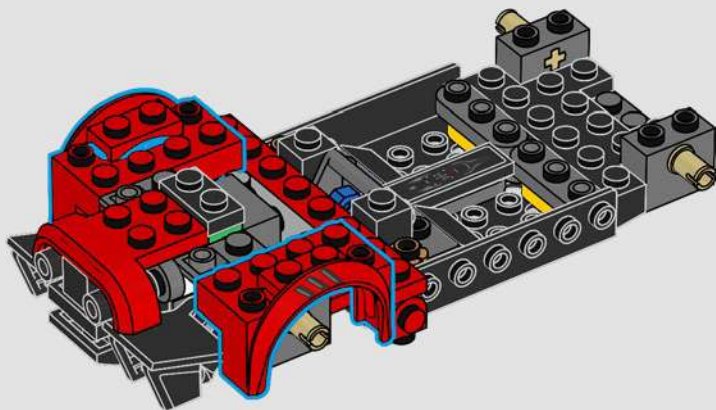


29



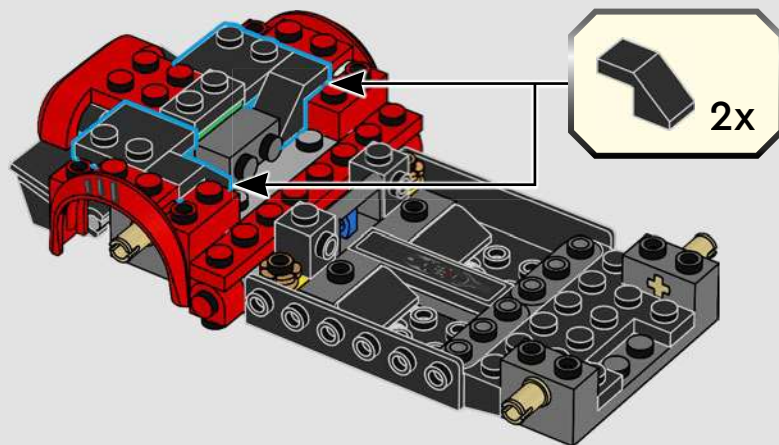


30





31



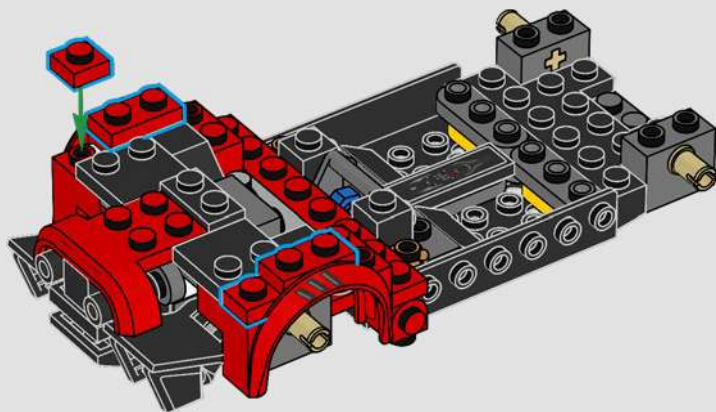


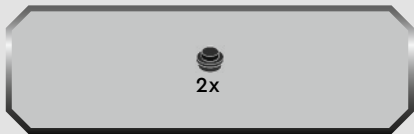
2x



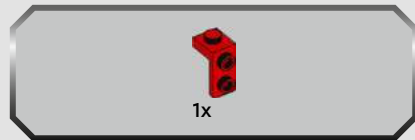
2x

32





33



34



35





1x

36

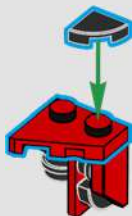


1x



1x

37



36



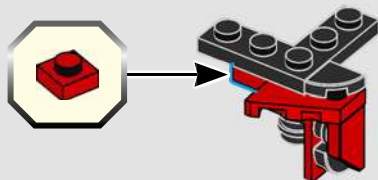
1x

38

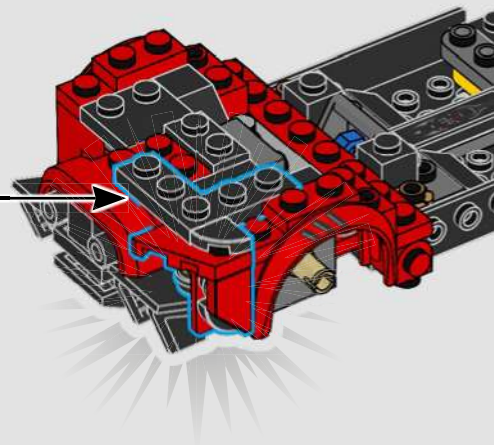




39

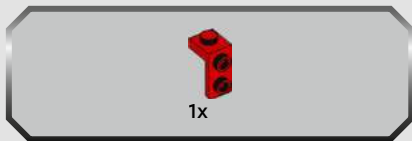


40

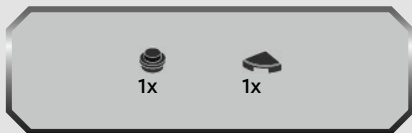




41



42



43

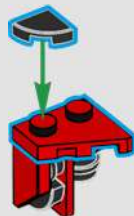




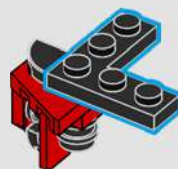
44



45

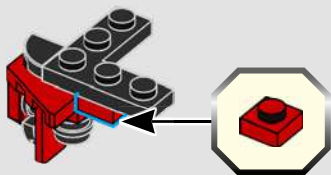


46

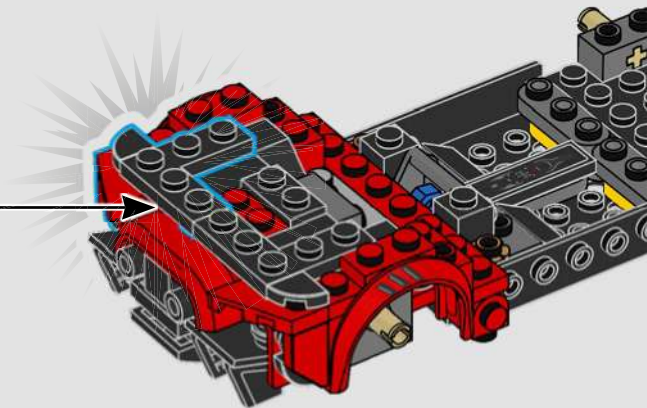


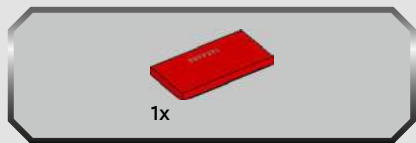


47

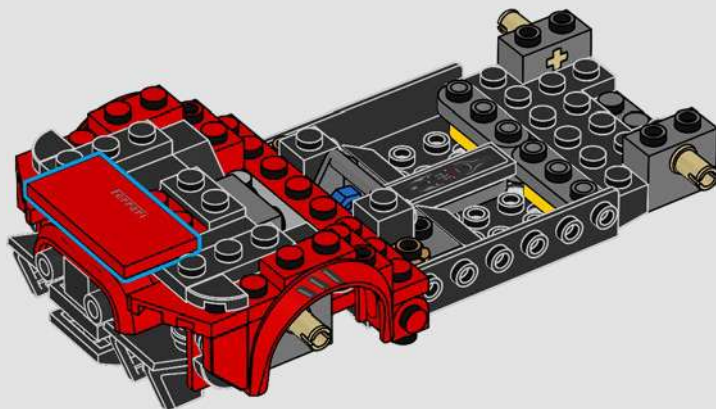


48





49



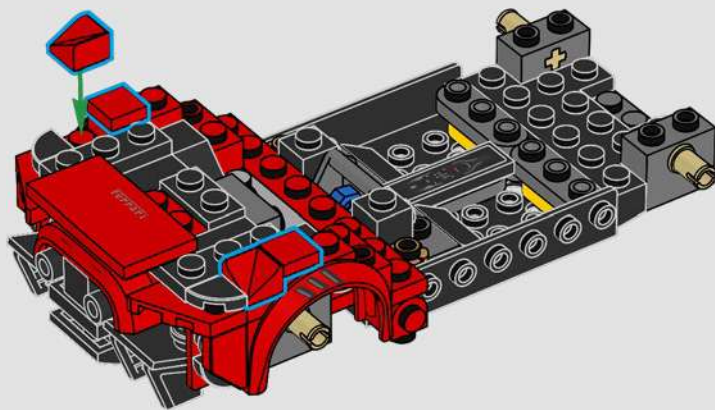


2x



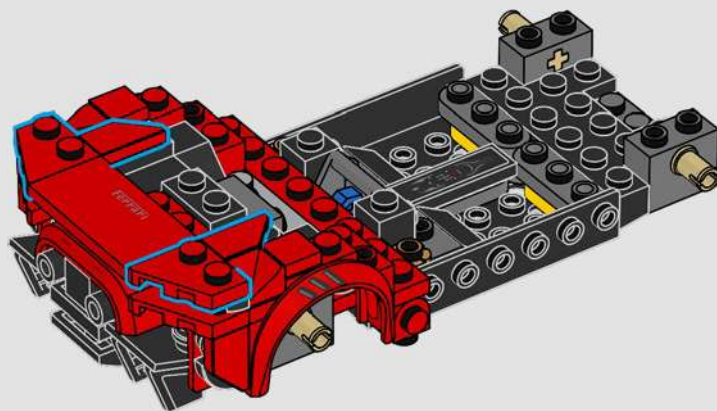
2x

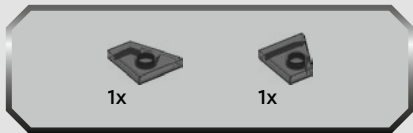
50



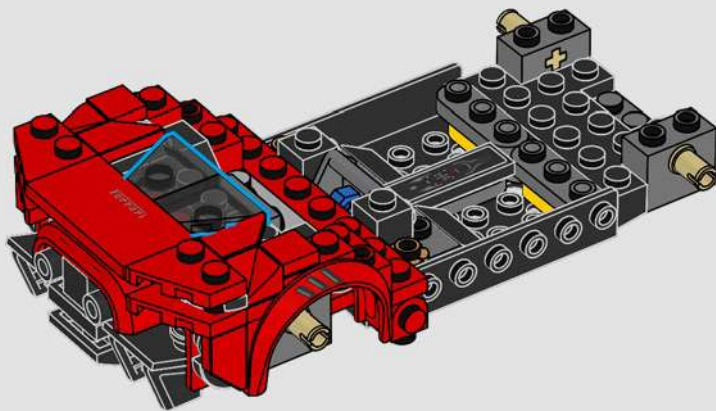


51



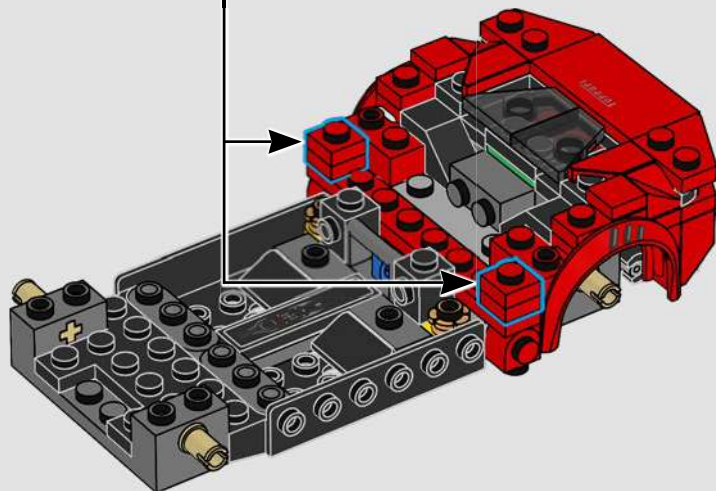
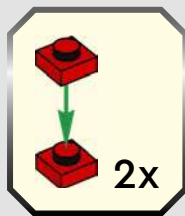


52





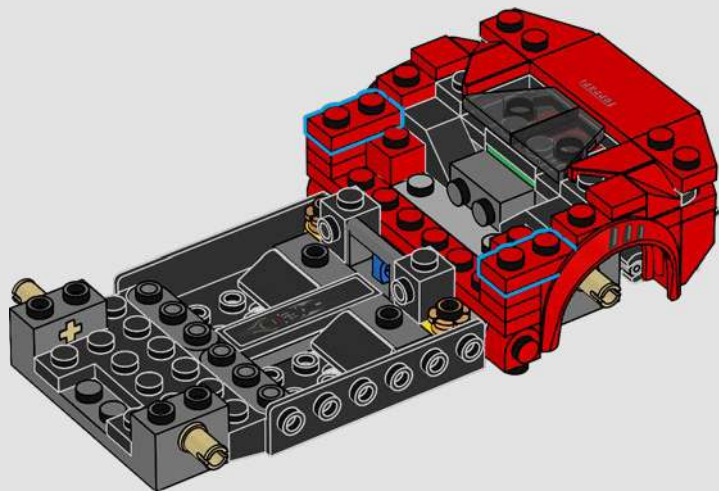
53

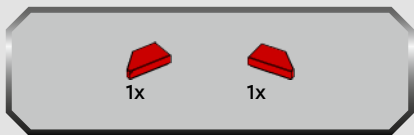




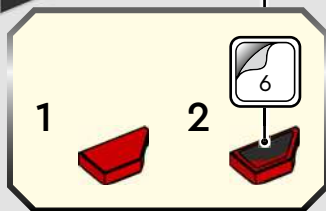
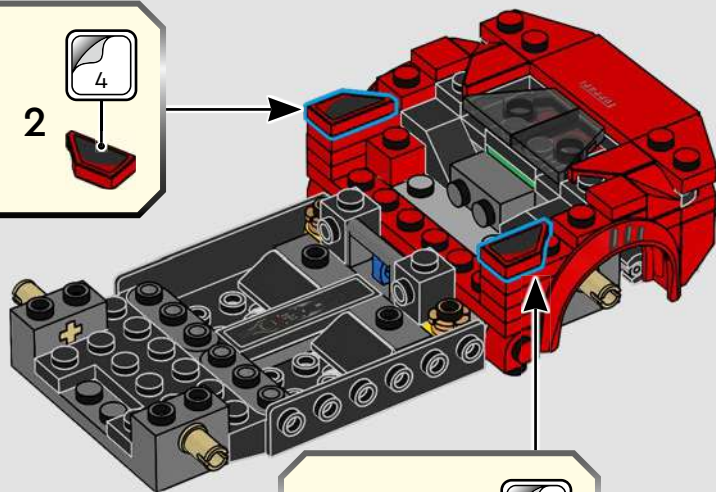
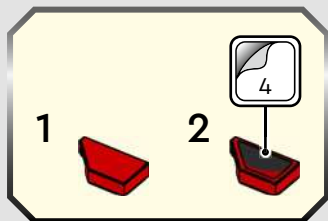
2x

54





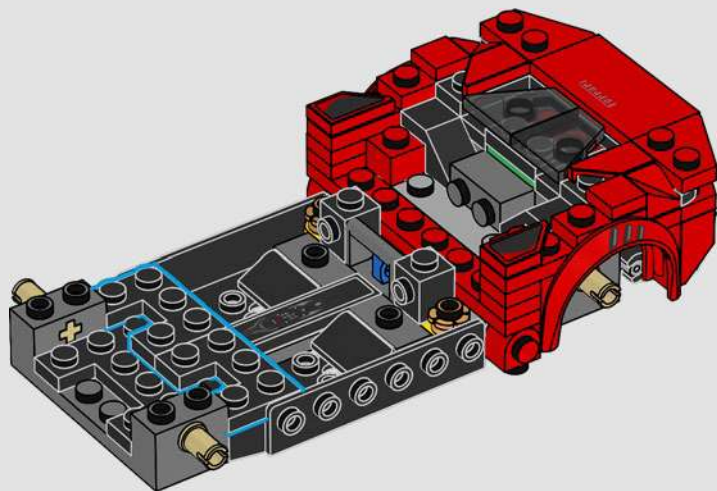
55

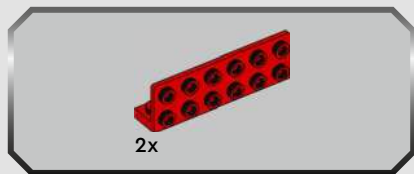




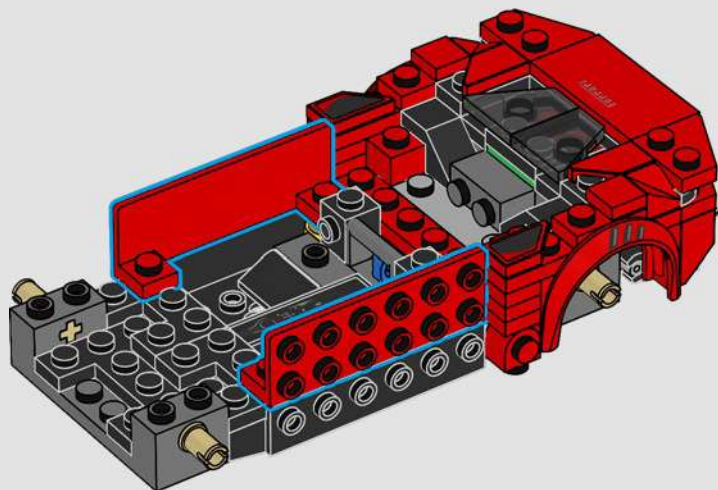
2x

56





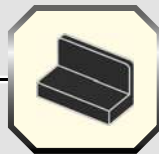
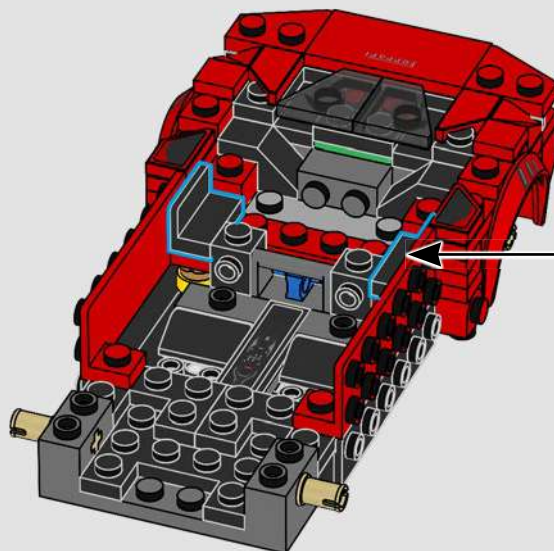
57





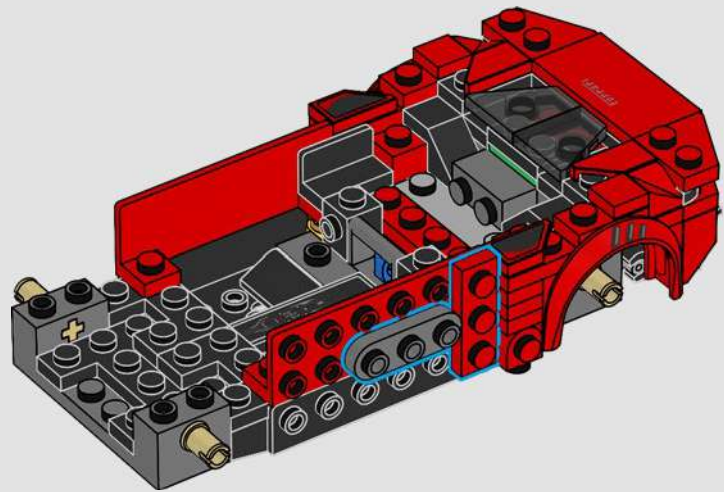
2x

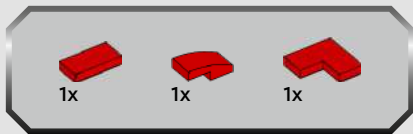
58



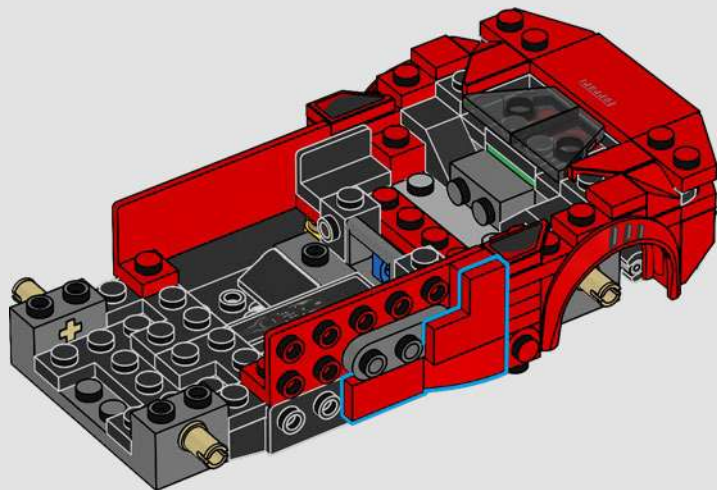


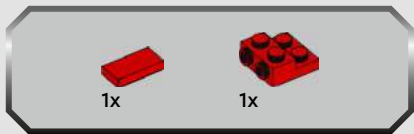
59



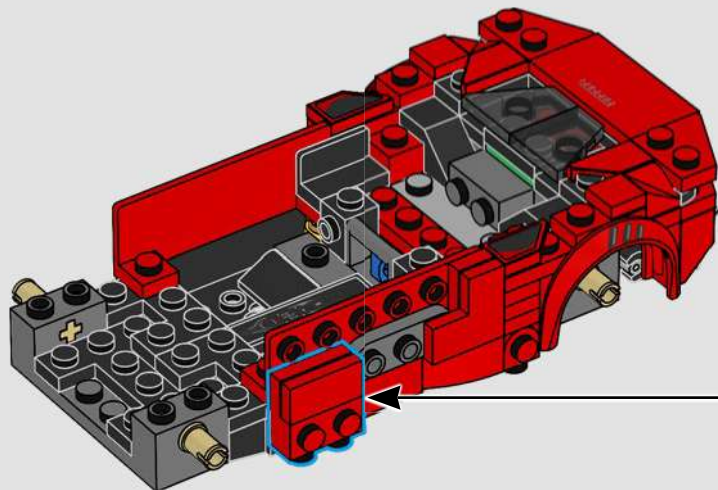
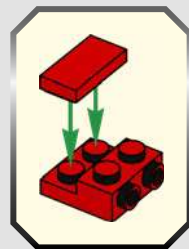


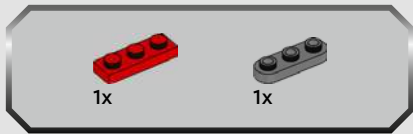
60



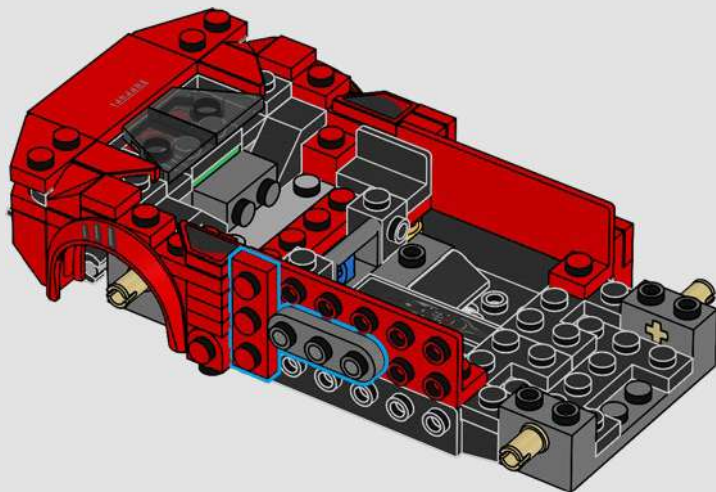
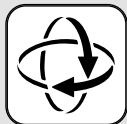


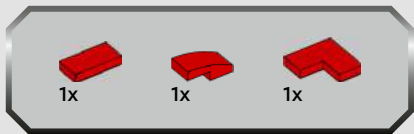
61



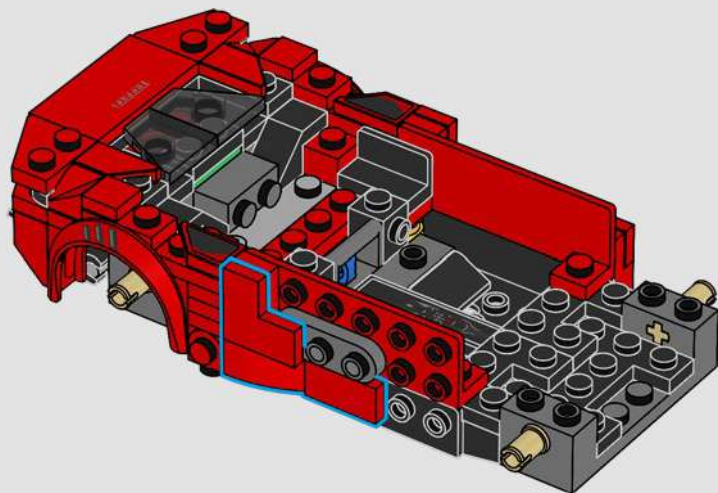


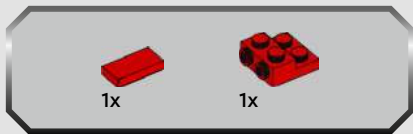
62



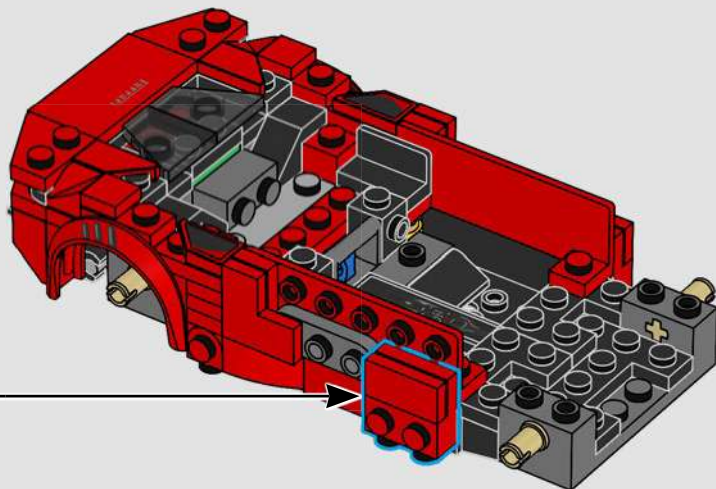
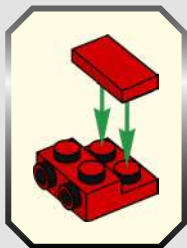


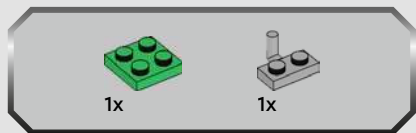
63



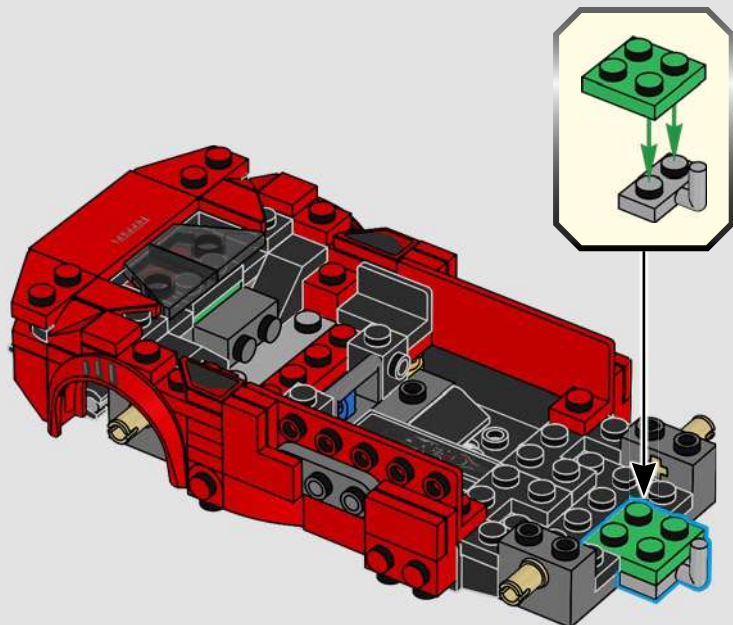


64





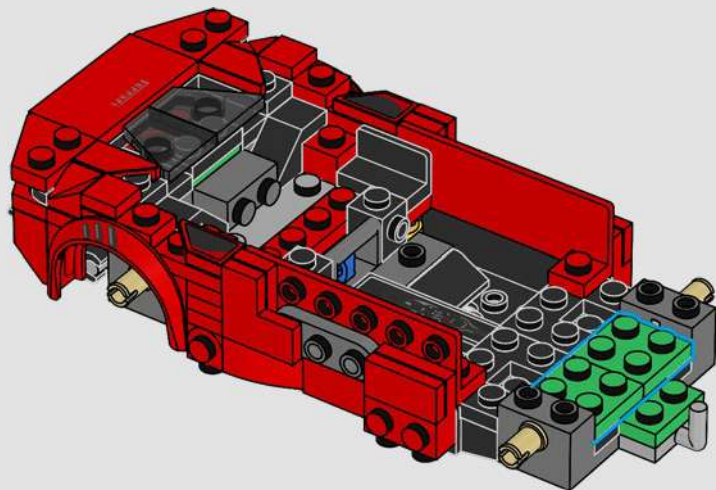
65

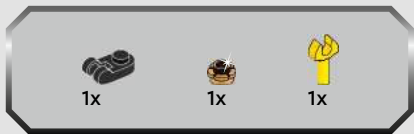




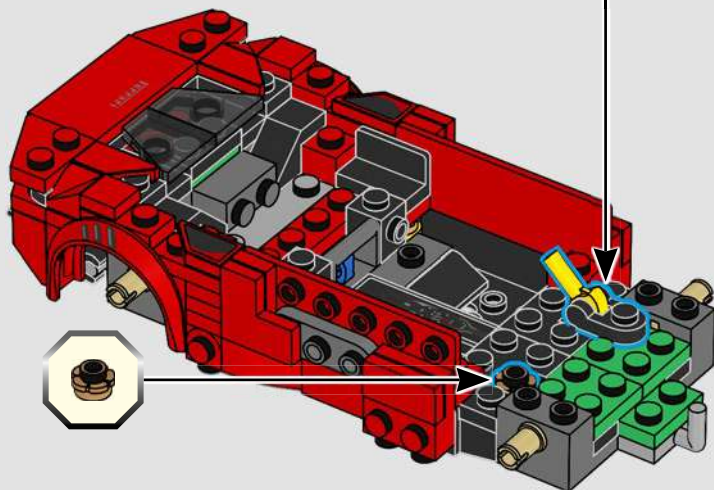
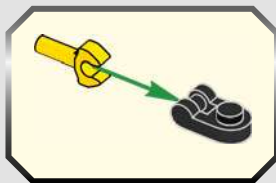
2x

66





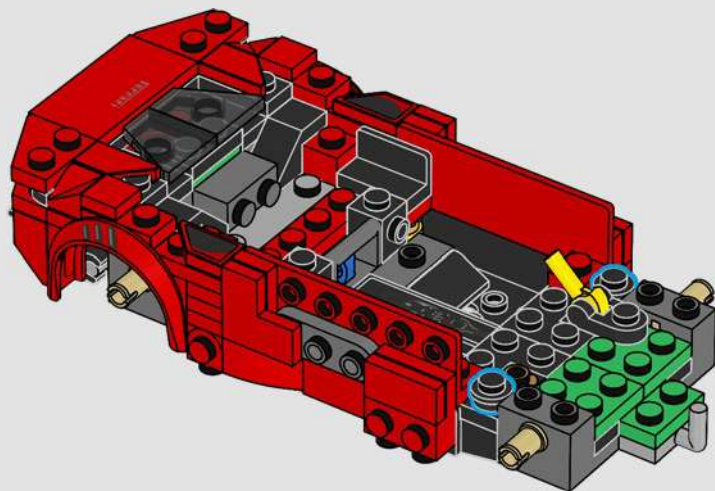
67





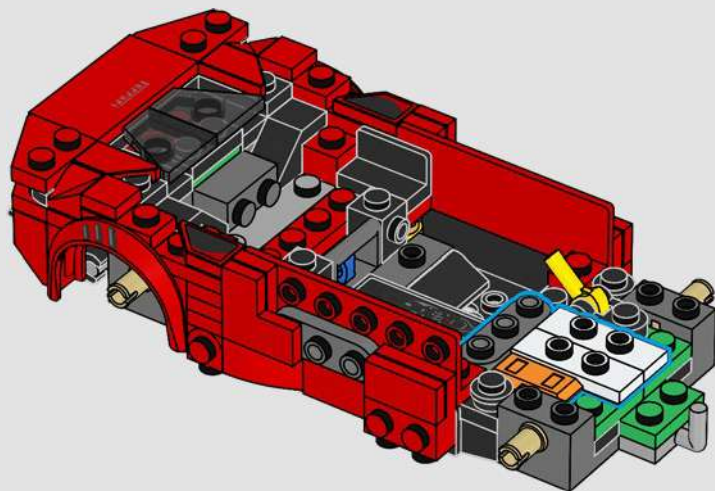
2x

68



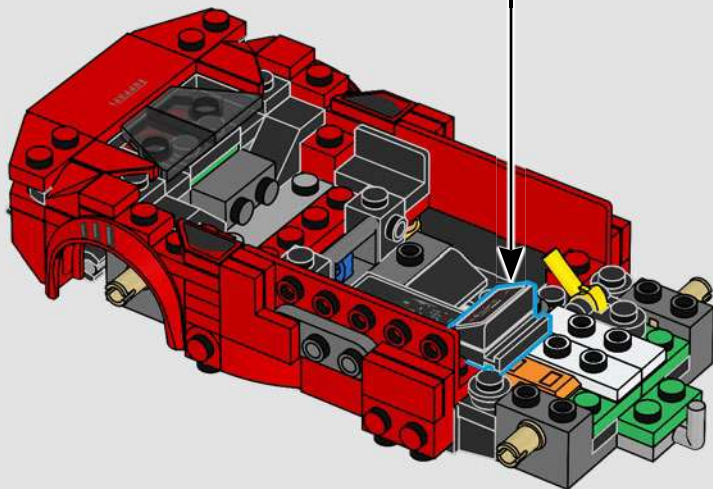


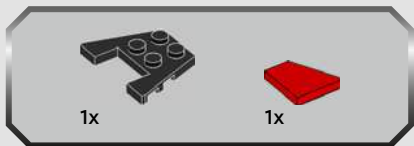
69



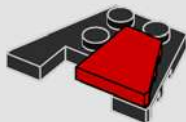


70

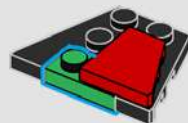




71



72



73





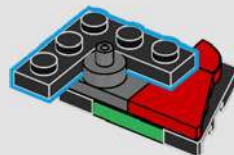
1x

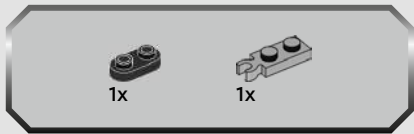
74



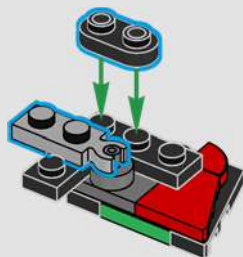
1x

75

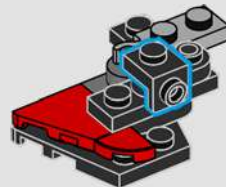
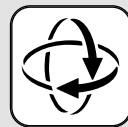




76



77



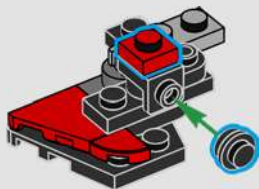


1x



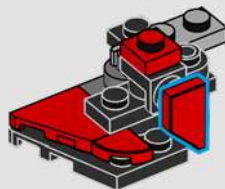
1x

78

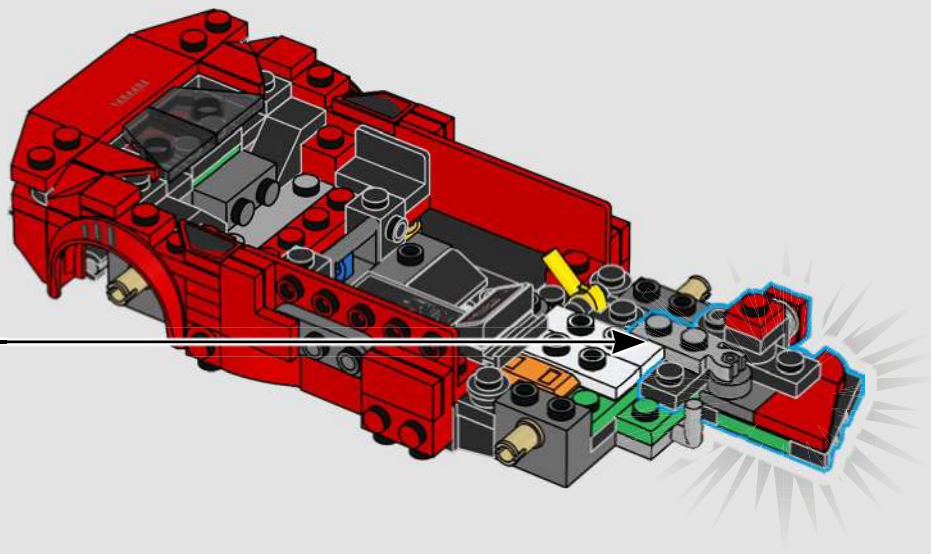


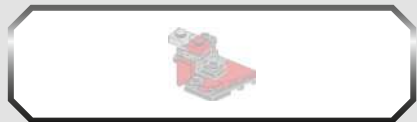
1x

79

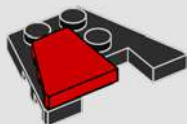


80

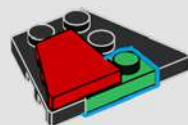




81

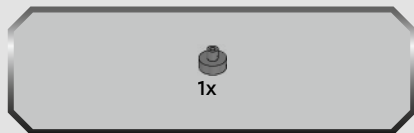


82

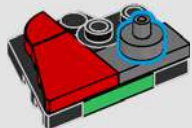




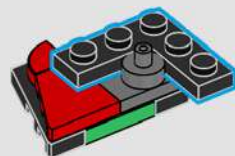
83



84

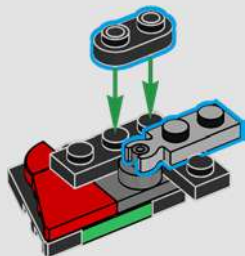


85

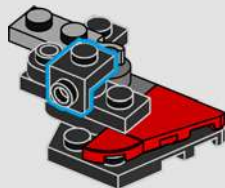




86

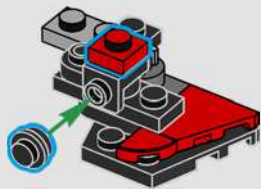


87

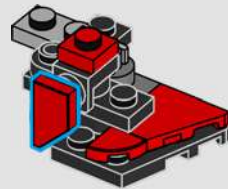




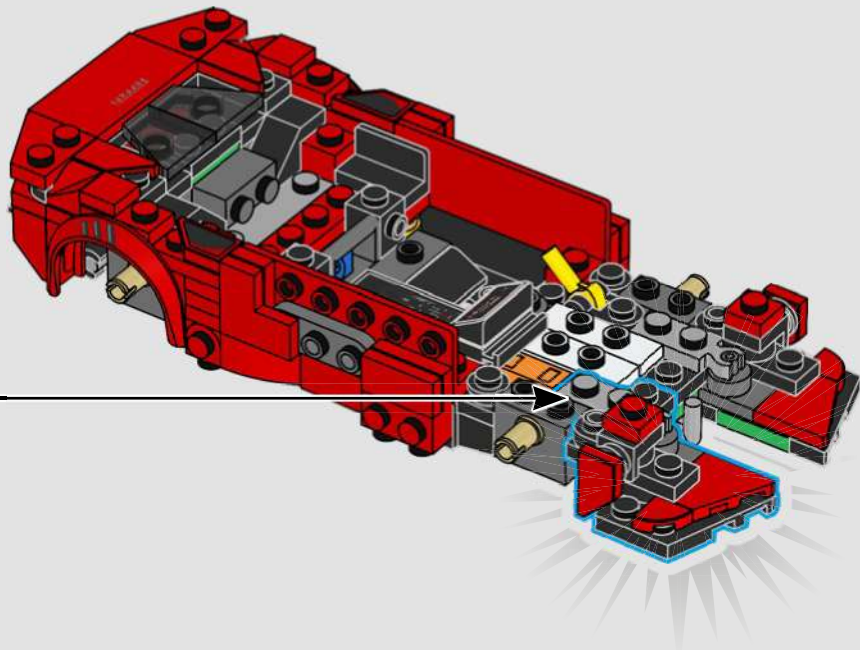
88

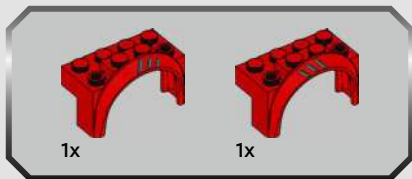


89

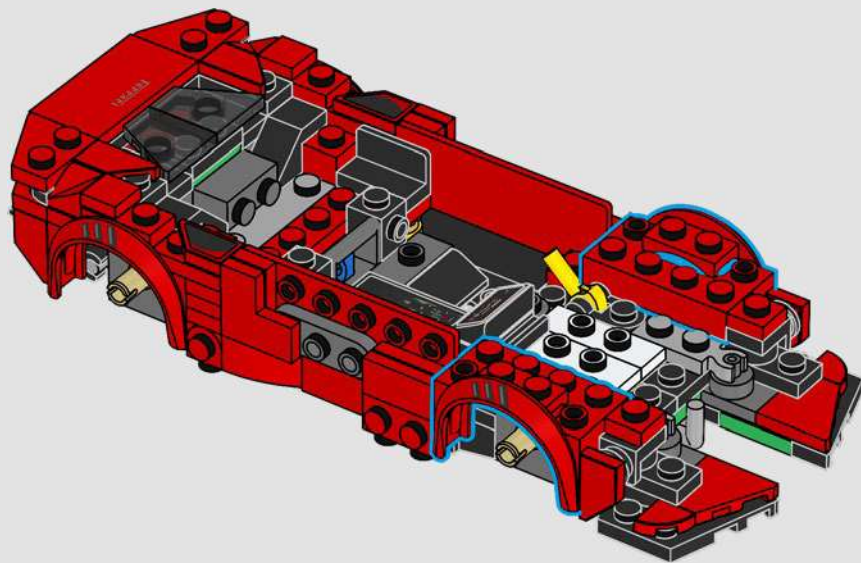


90



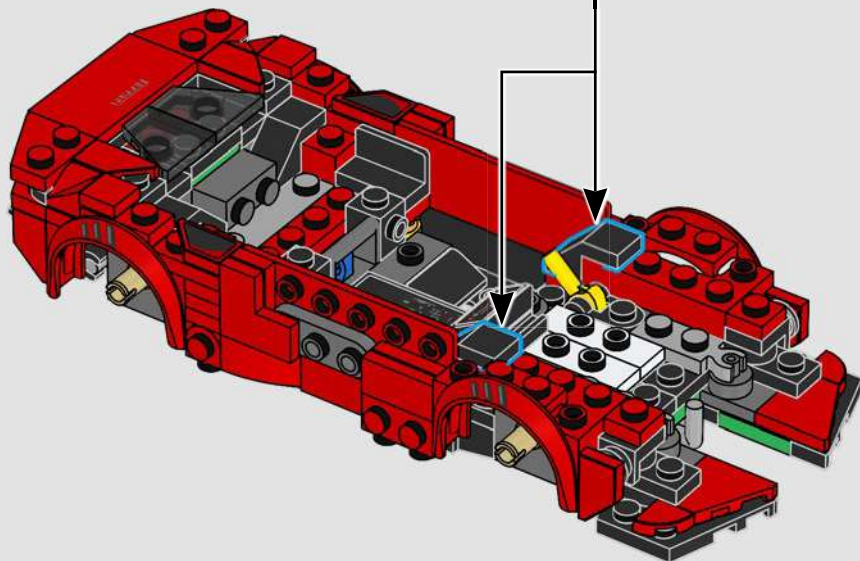


91





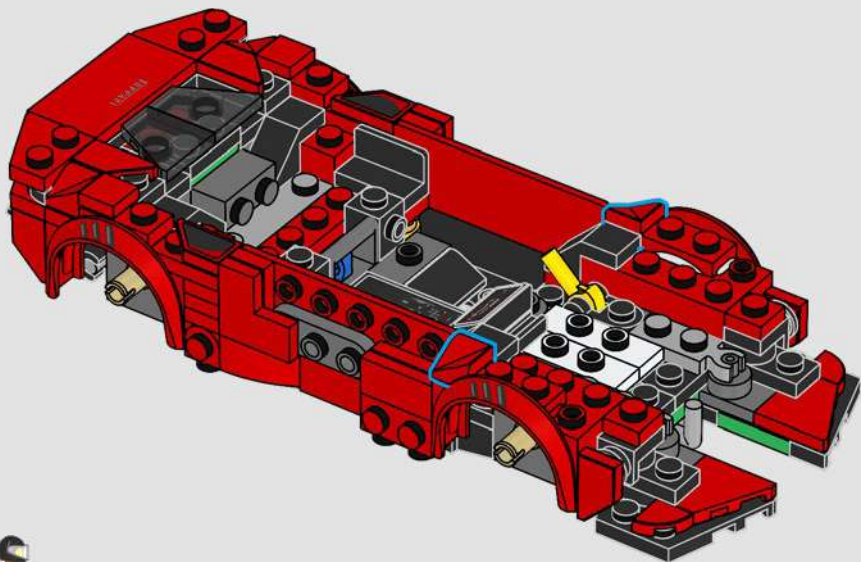
92





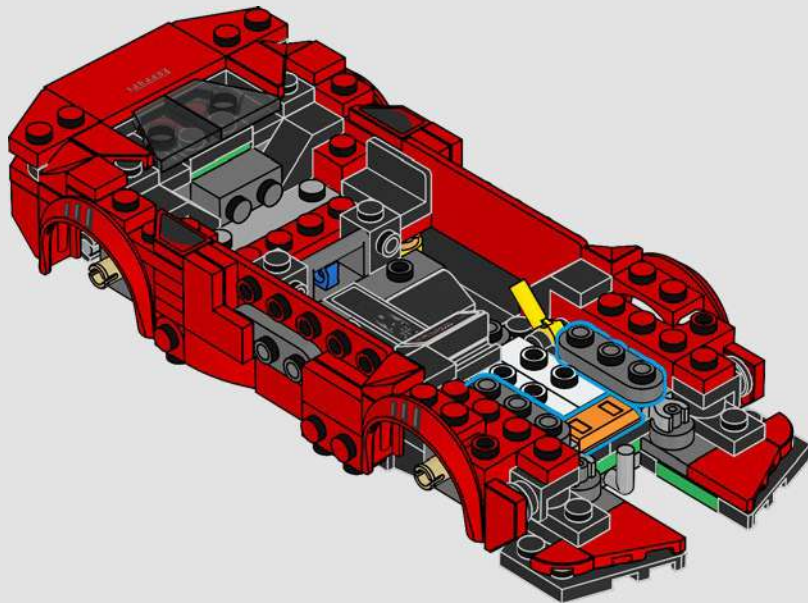
2x

93



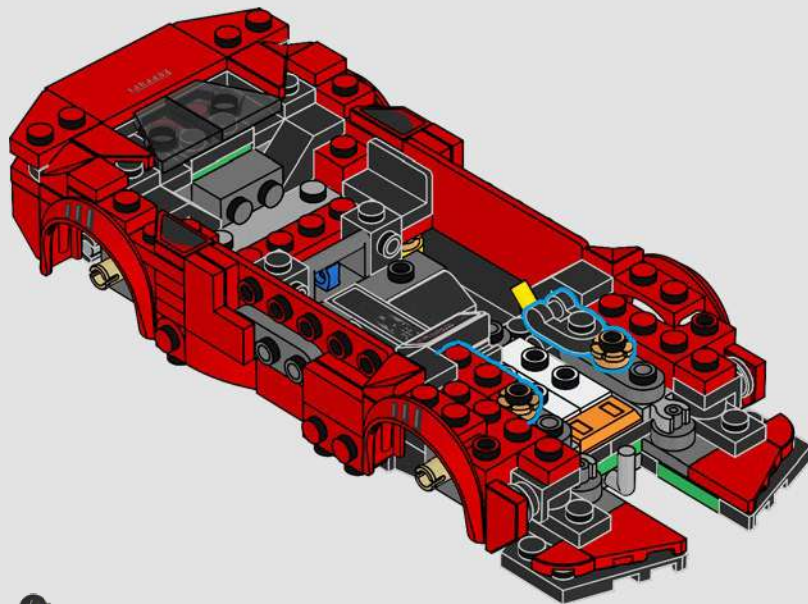


94



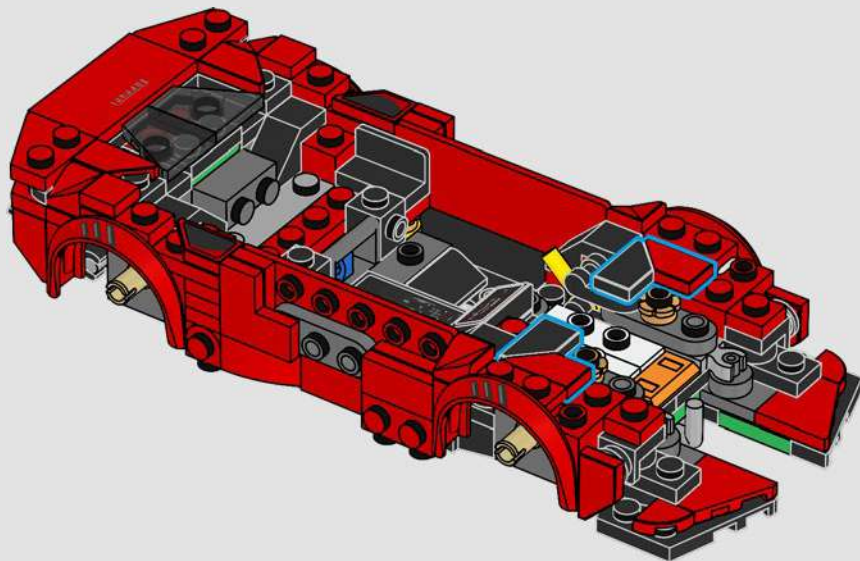


95





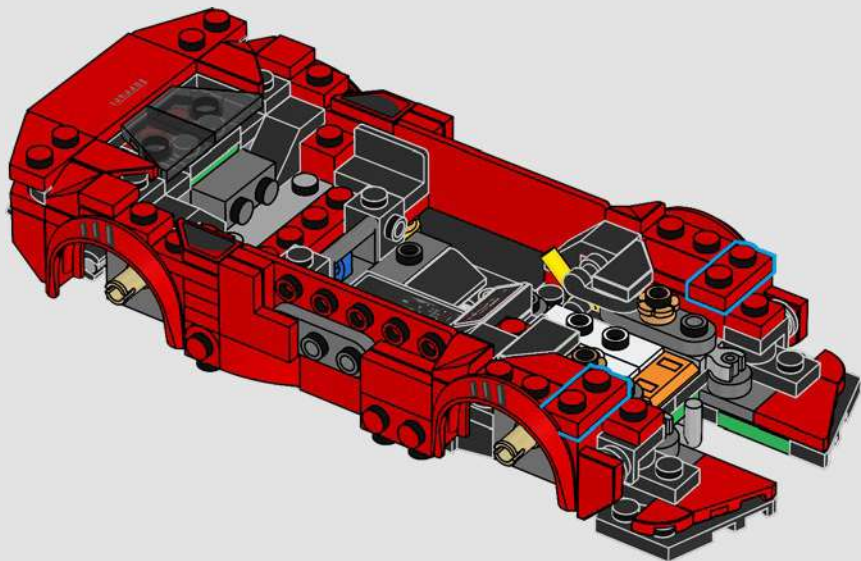
96





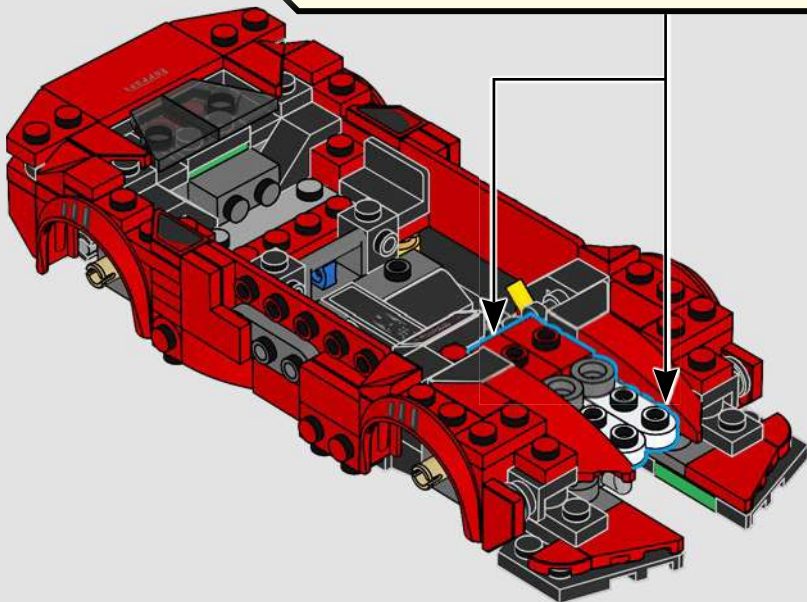
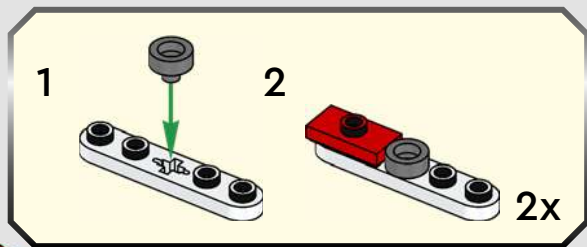
2x

97





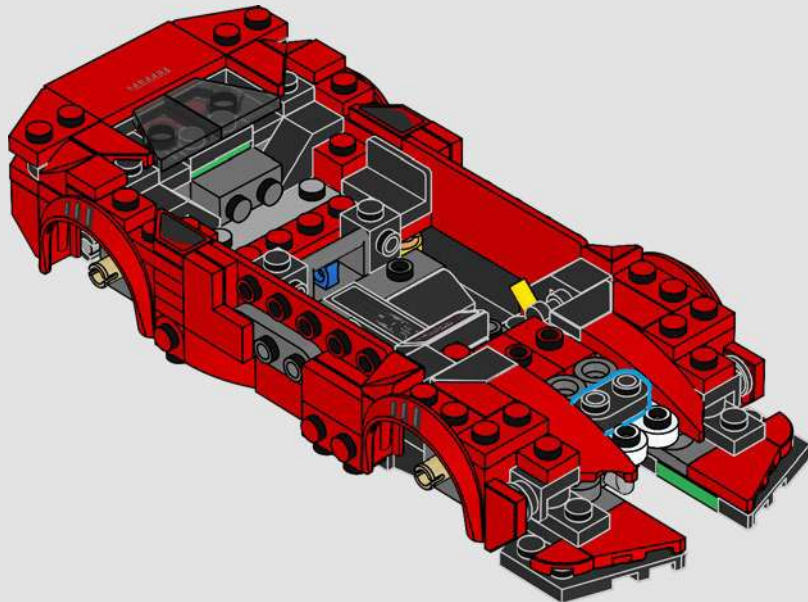
99





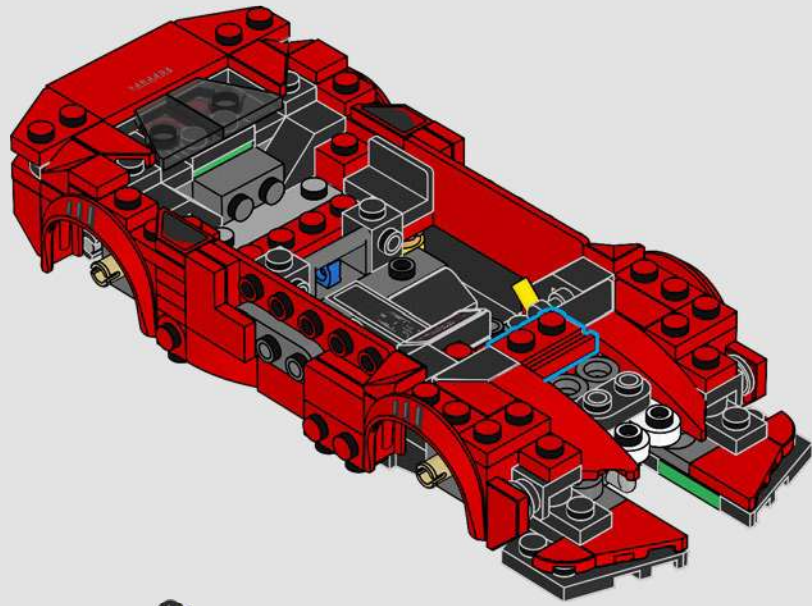
1x

100





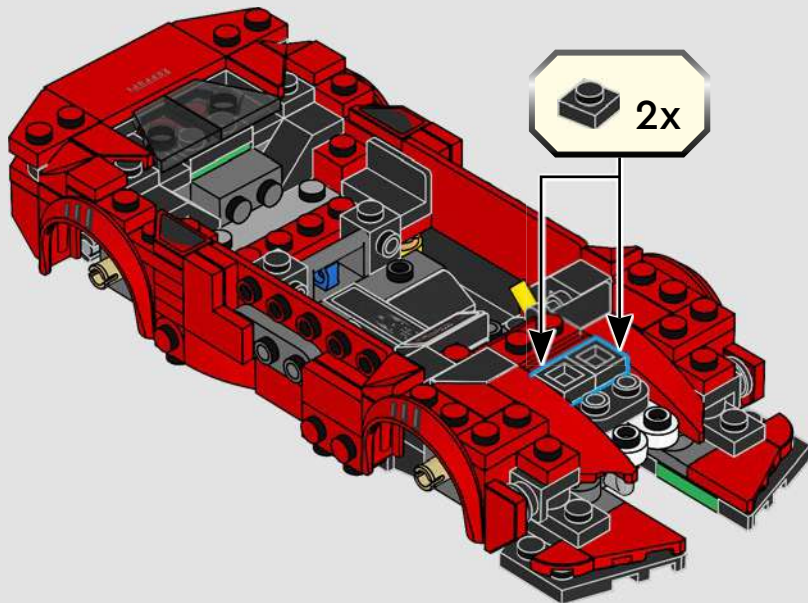
101

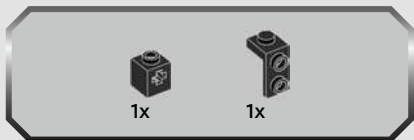




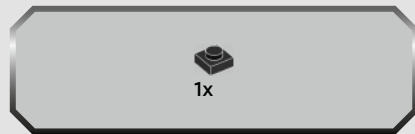
2x

102





103

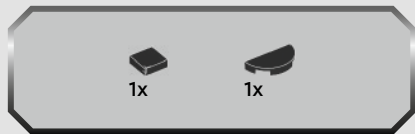


104

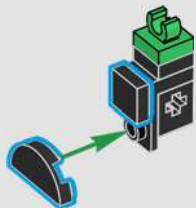


105

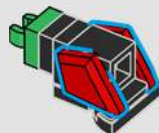




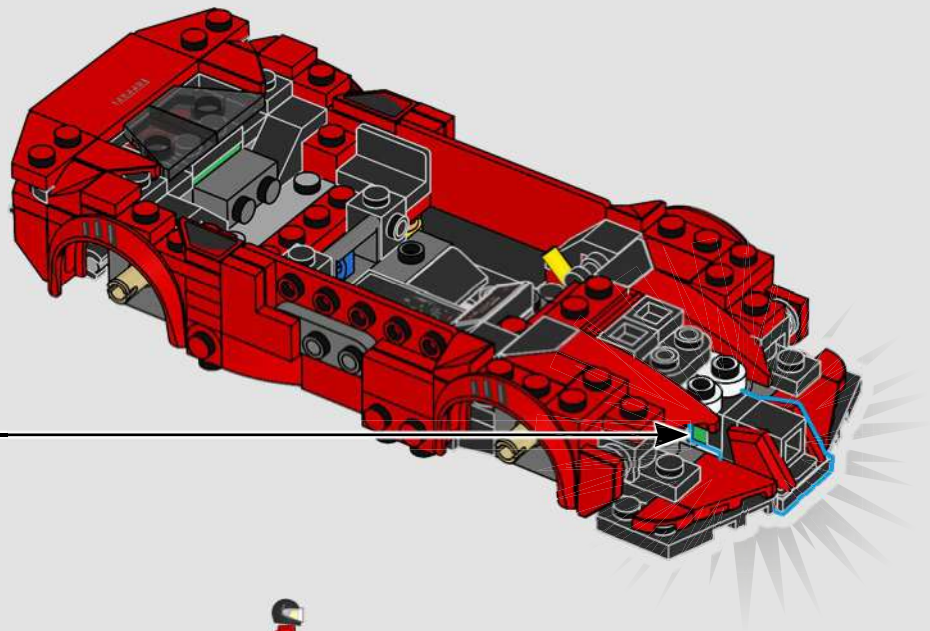
106

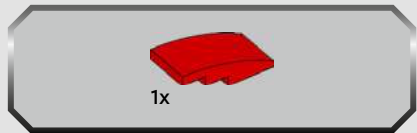


107

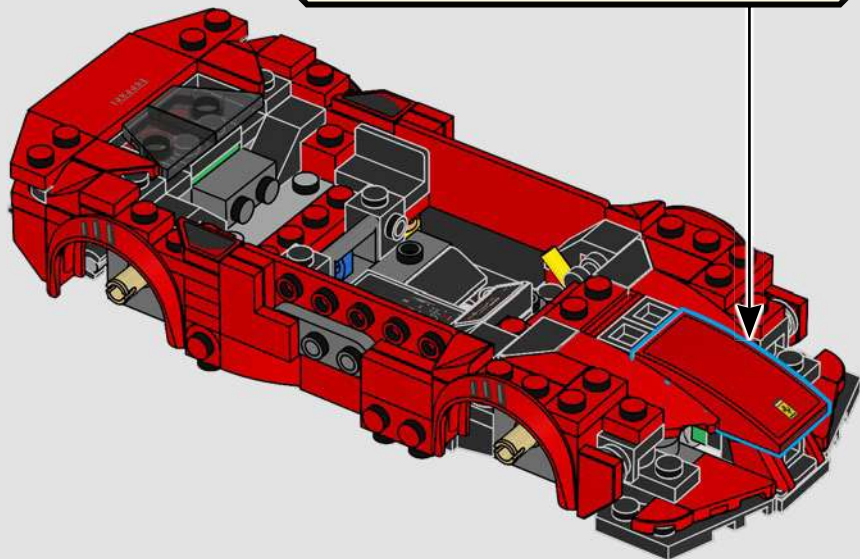
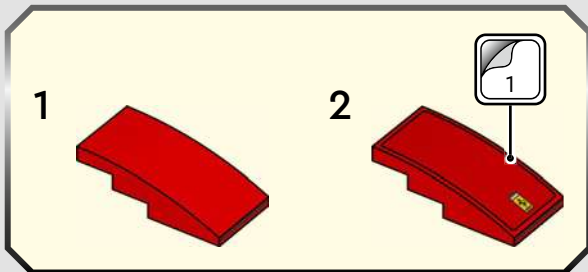


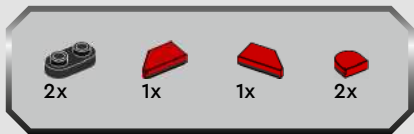
108



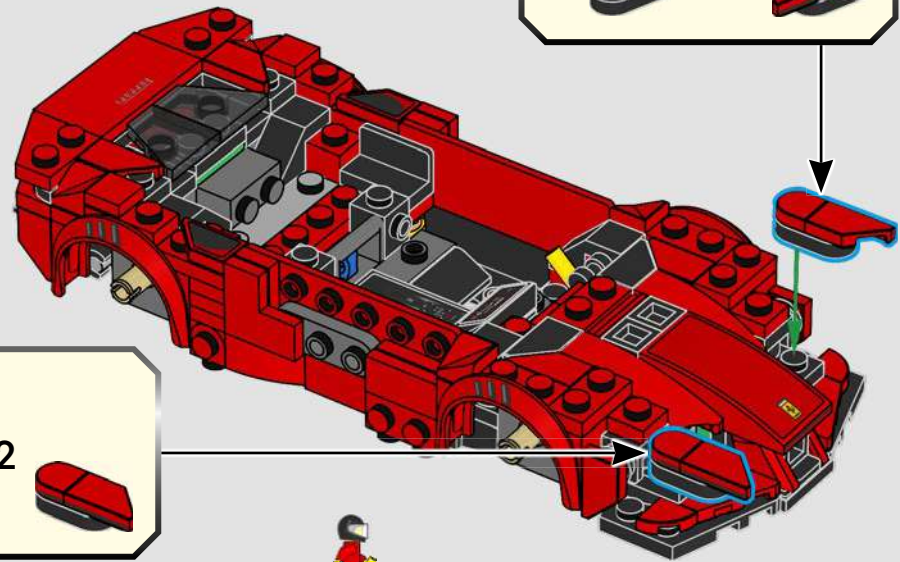
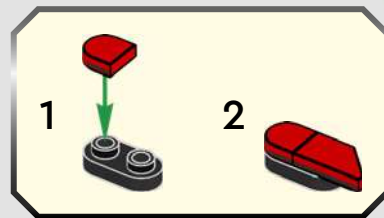
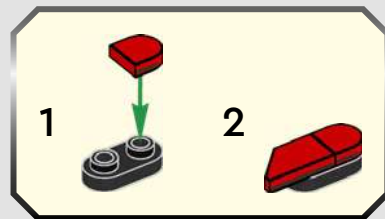


109

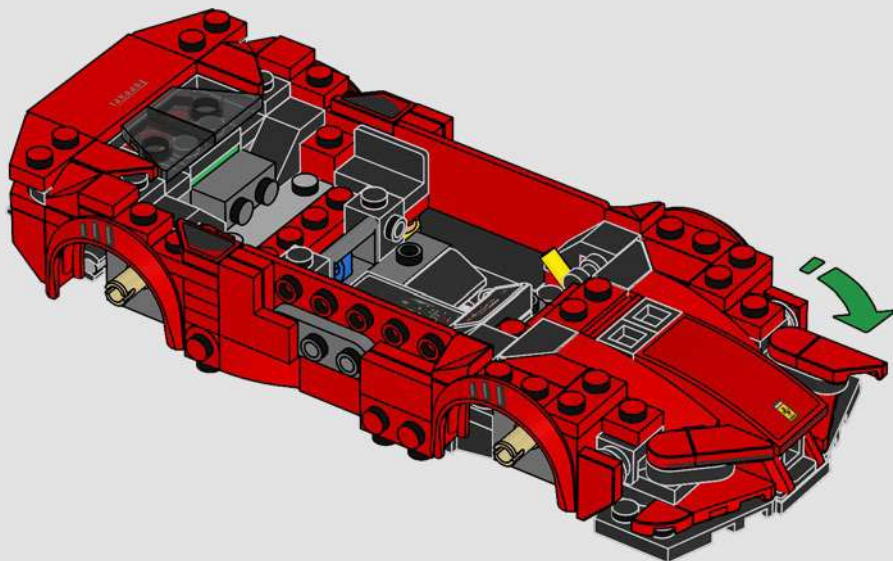


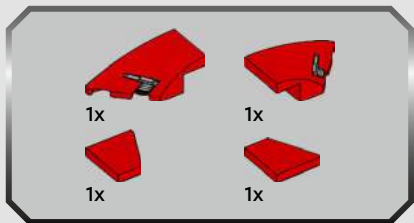


110

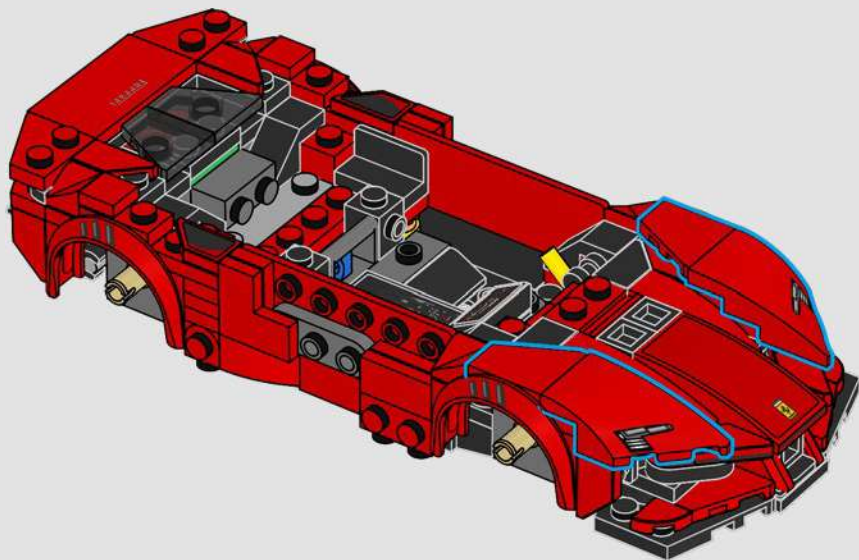


111



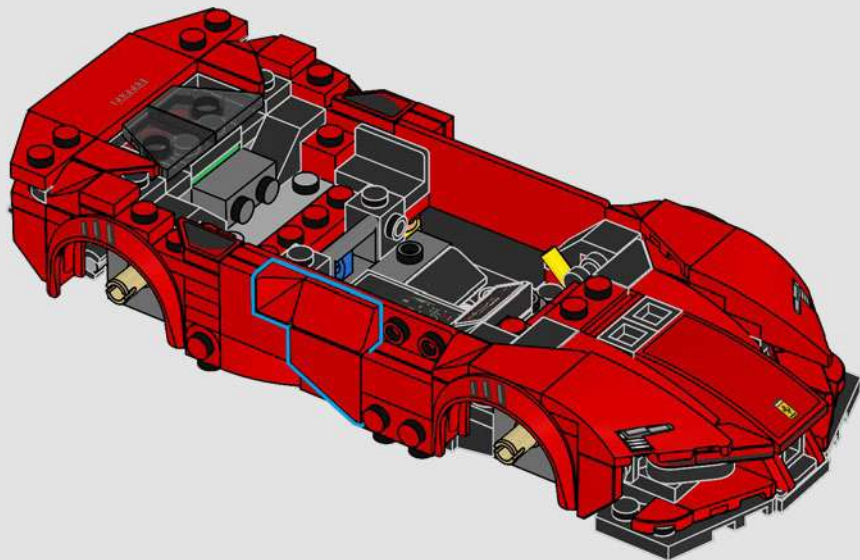


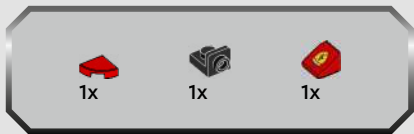
112



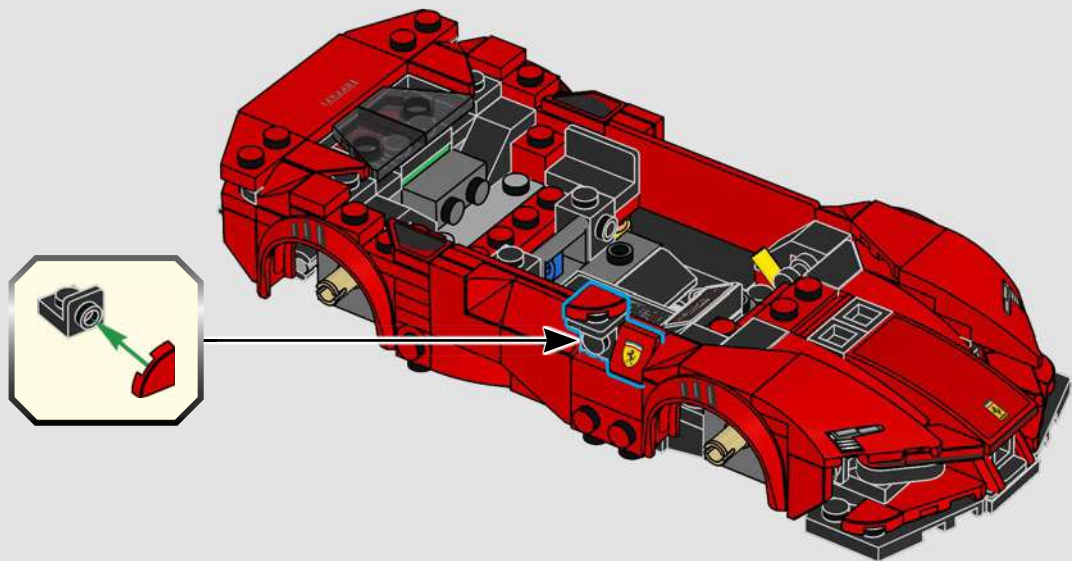


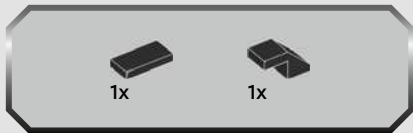
113



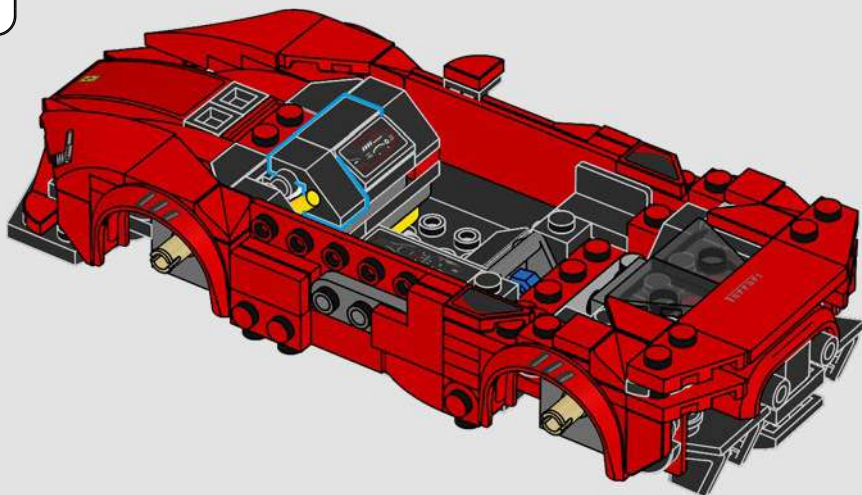


114





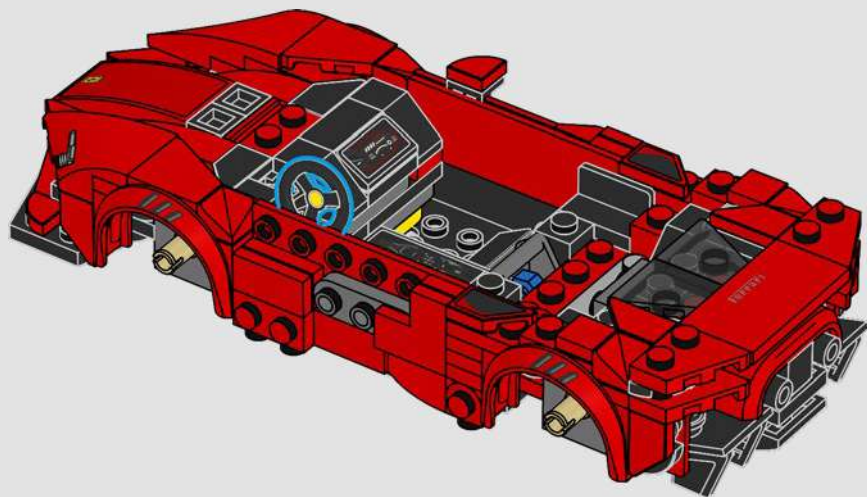
115





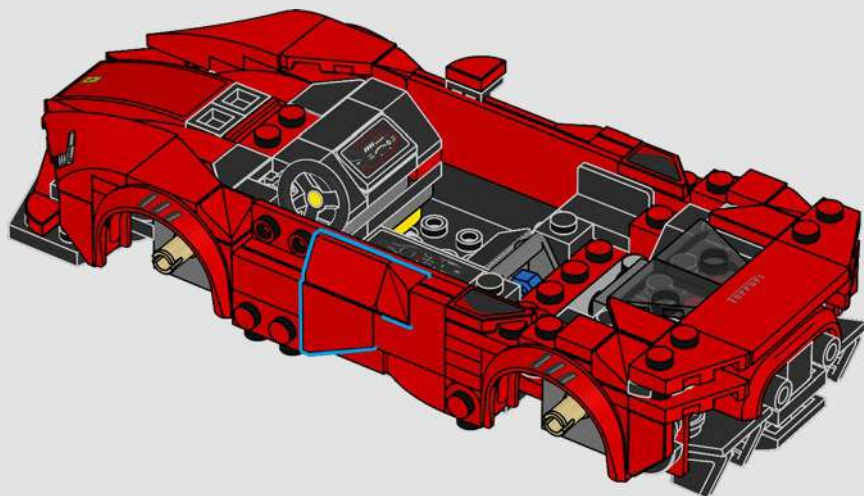
1x

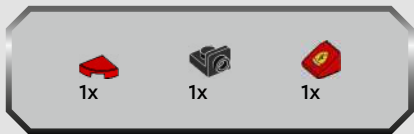
116



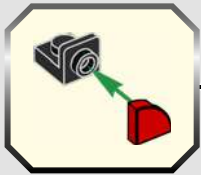
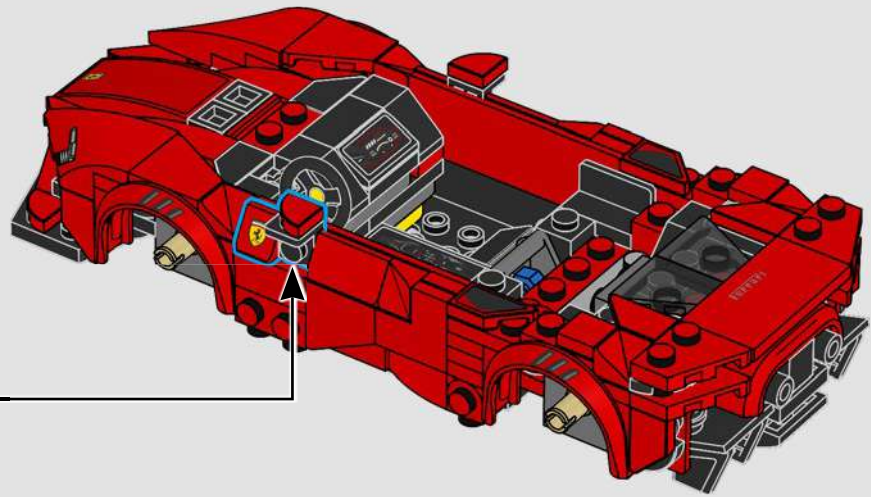


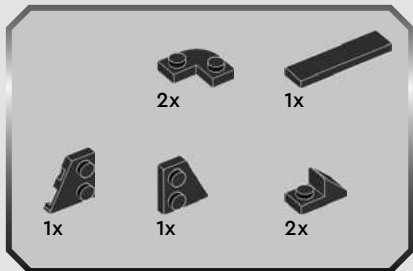
117





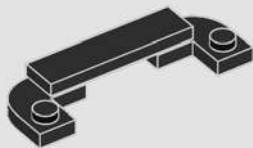
118



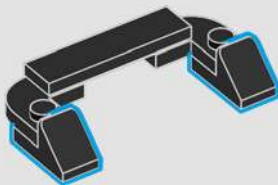


119

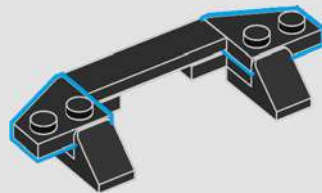
1

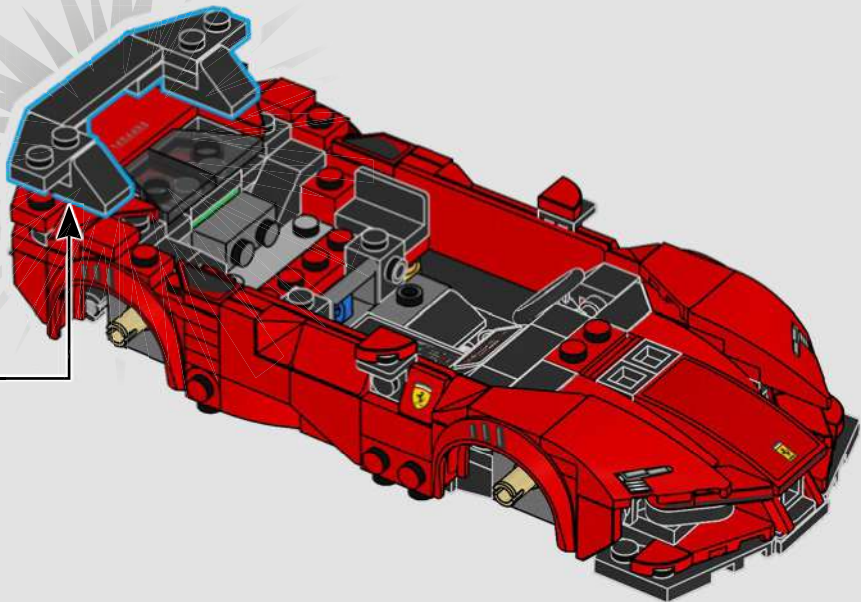


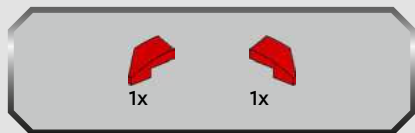
2



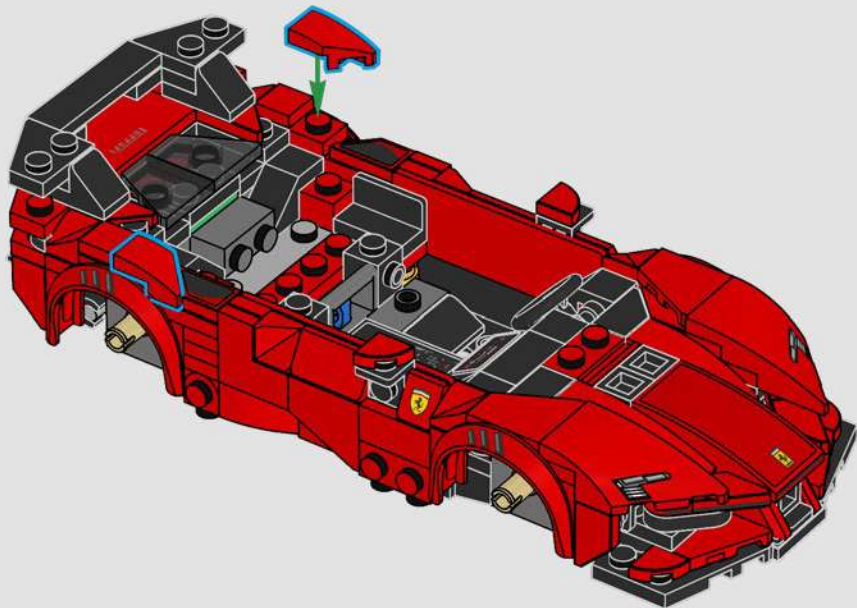
3

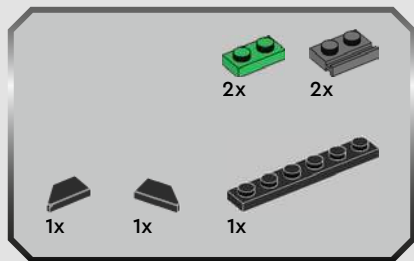






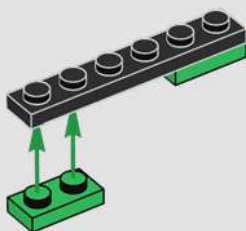
120



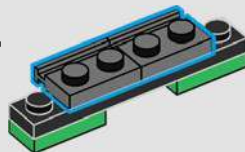


121

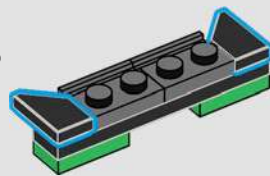
1

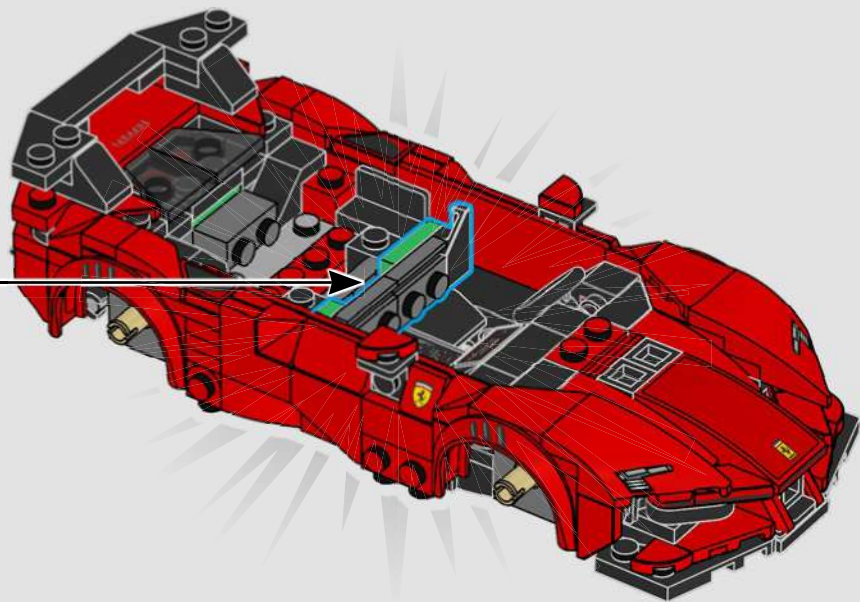


2



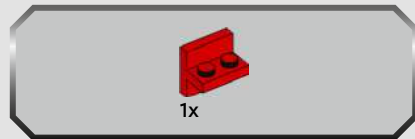
3



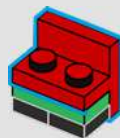




122



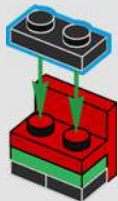
123





1x

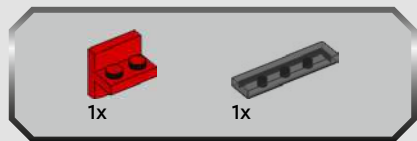
124



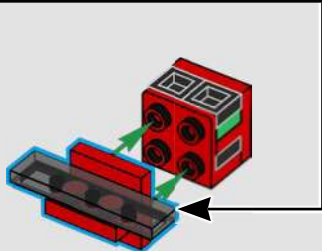
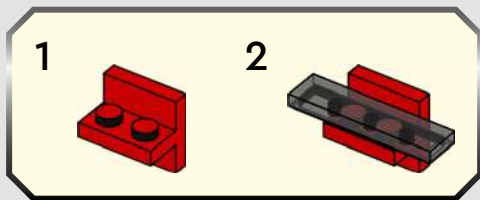
1x

125

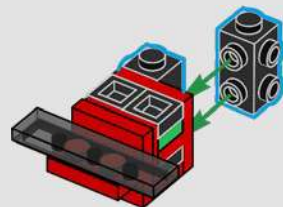




126

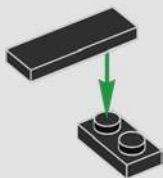


127

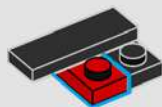




128

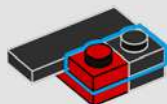


129



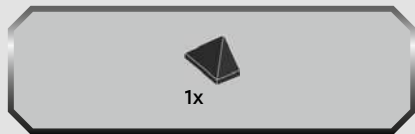


130

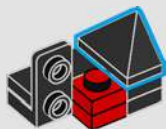


131

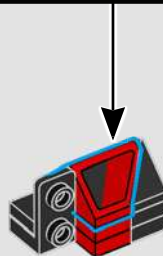
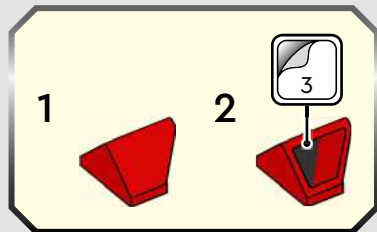




132

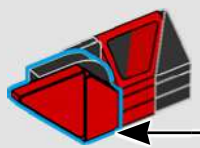


133

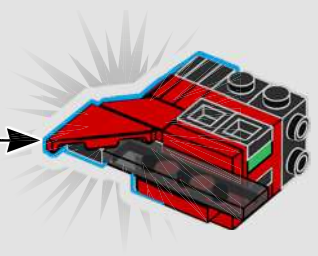


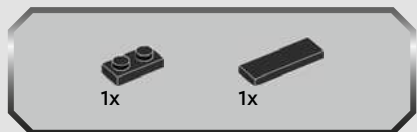


134

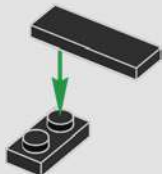


135





136



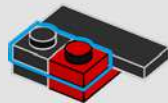
1x

137



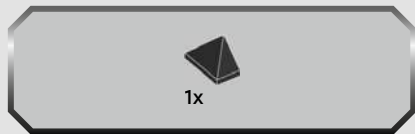


138

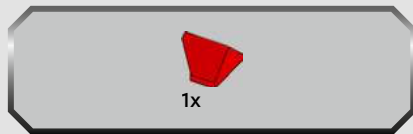
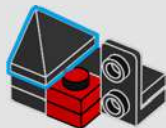


139

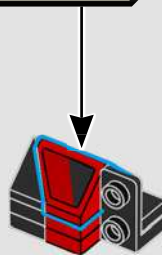
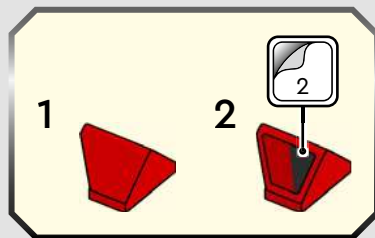




140

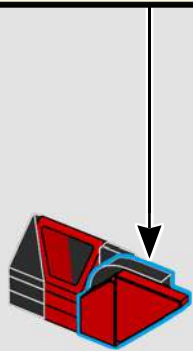
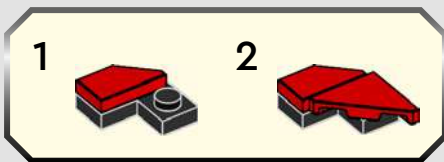


141

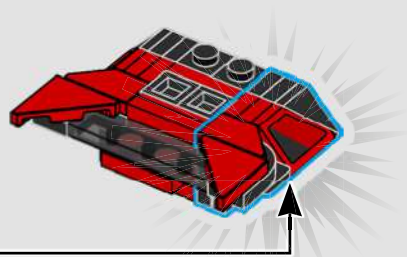


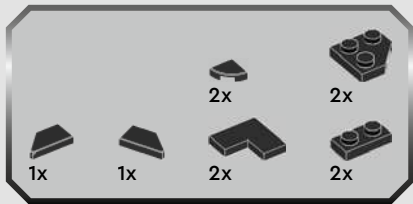


142

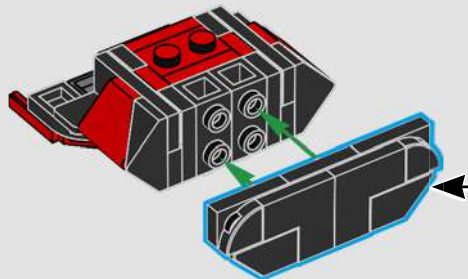
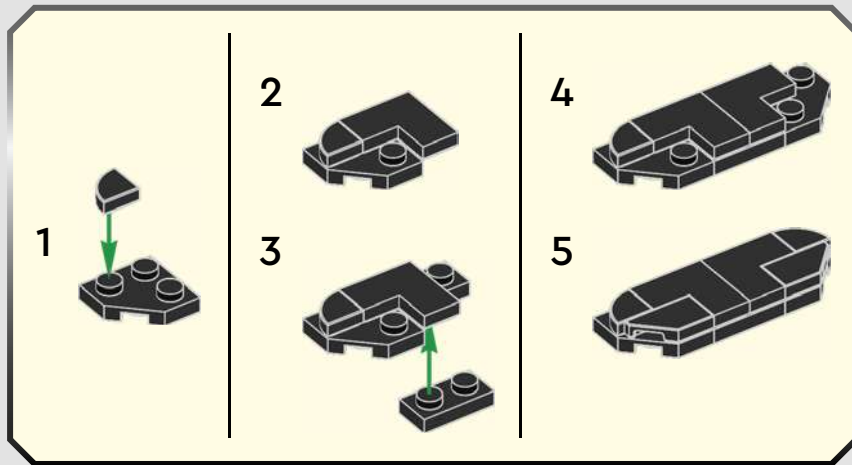
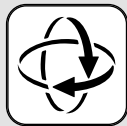


143



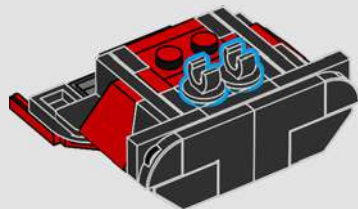


144

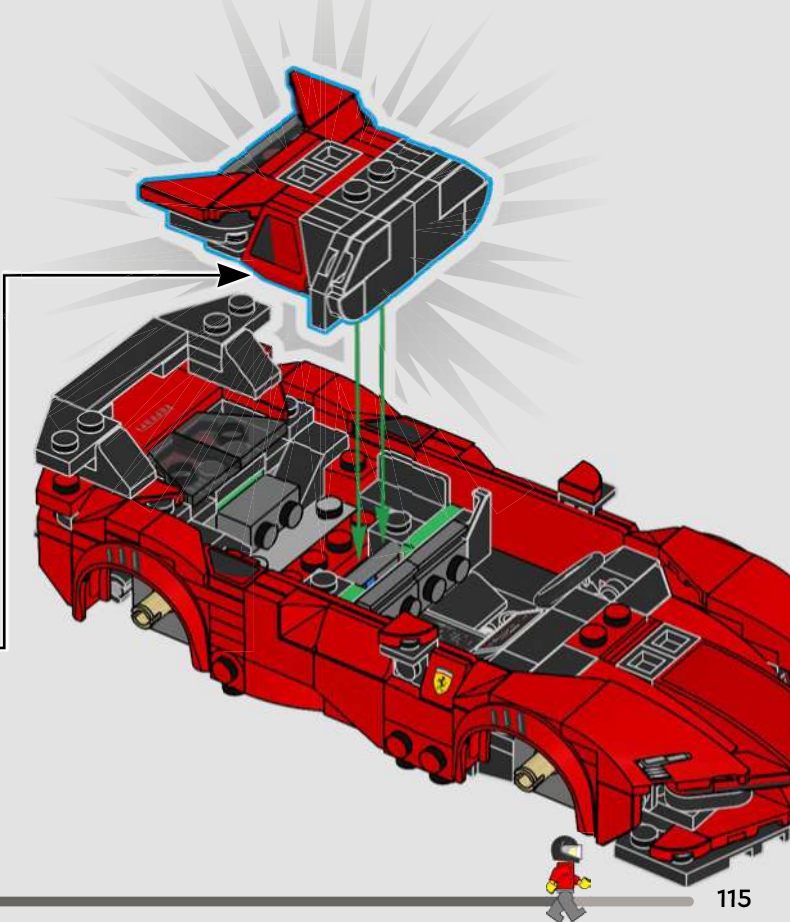


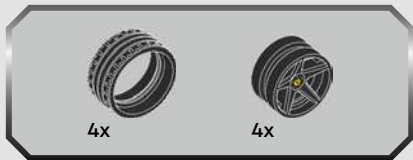


145

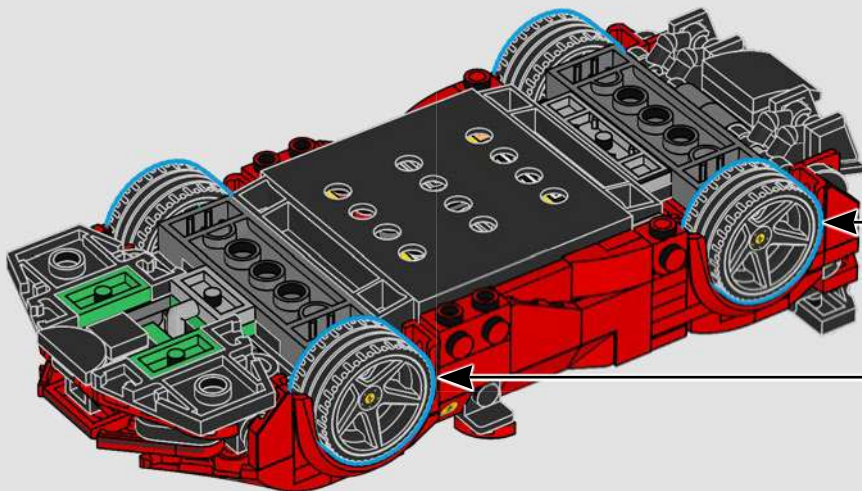


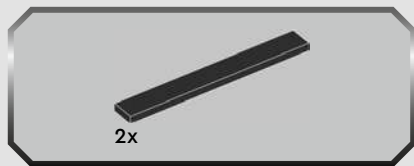
146



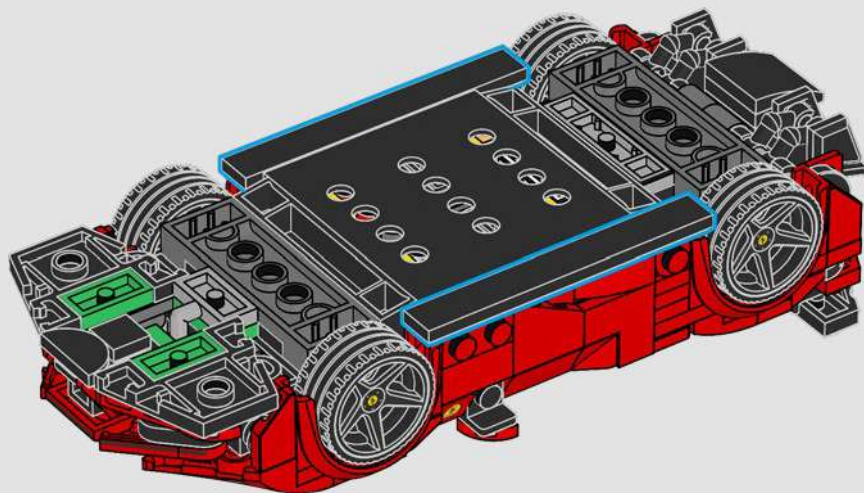


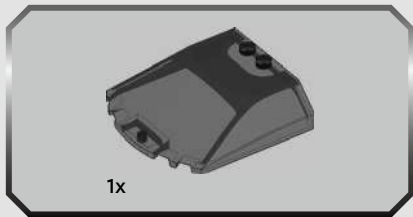
147



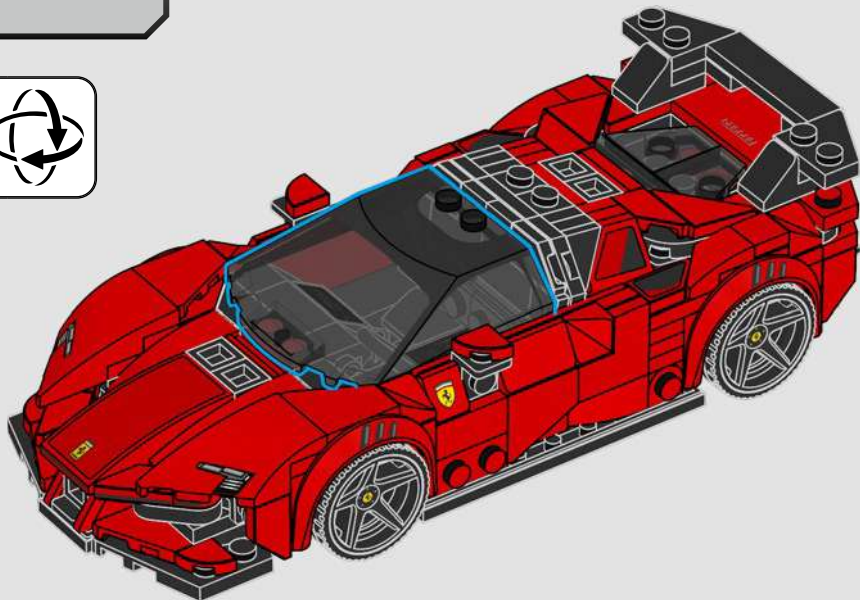


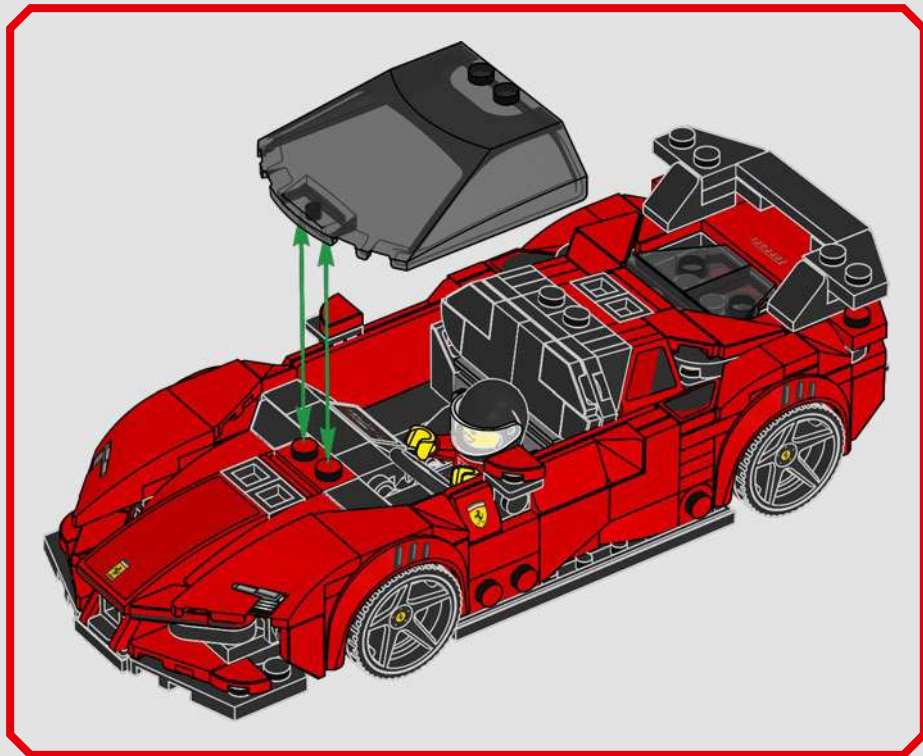
148

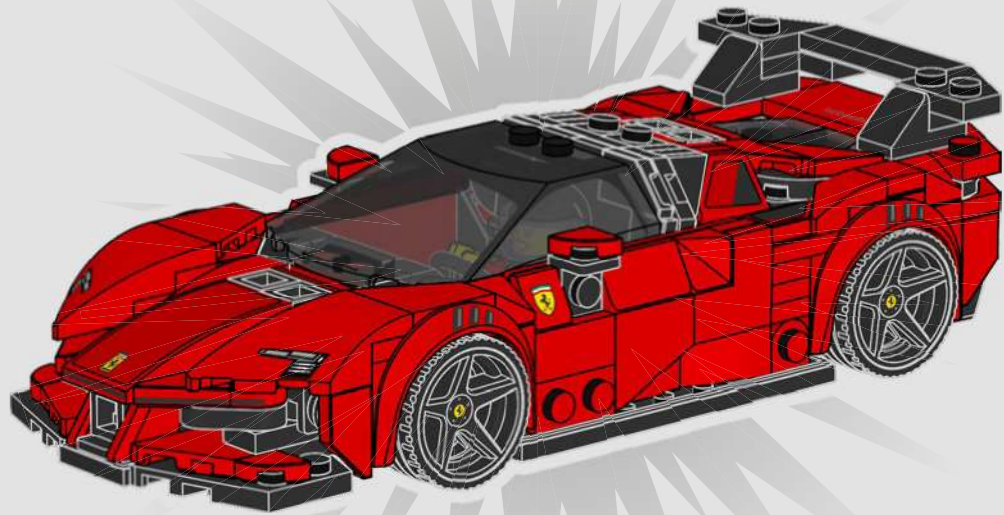




149









BACK
TO
FUTURE

77256



77254



77252

APXGP



77255



77253

© Universal City Studios LLC and Amblin Entertainment, Inc. All Rights Reserved.

Produced under license of Ferrari S.p.A. The name FERRARI, the PRANCING HORSE device, all associated logos and distinctive designs, including the design of the Ferrari cars, are property of Ferrari S.p.A.

APXGP is a trademark of Apple.

The F1 logo, FORMULA 1, F1, GRAND PRIX and related marks are trademarks of Formula One Licensing BV, a Formula 1 company. All rights reserved.

OFFICIAL LICENSEE OF FORMULA 1®

© Disney/Pixar

The Bugatti logo and Bugatti wordmark are trademarks of Bugatti International S.A. and are used under license. Vision GT logo is a registered trademark or trademark of Sony Interactive Entertainment Inc.

2x
6146220

1x
6141556

2x
6069000

2x
6051508

3x
4548180

1x
4298619

1x
6141554

4x
6430580

2x
6133722

1x
6053077

3x
6192346

2x
4558170

1x
4107761

4x
6585316

2x
6363034

2x
6493691

4x
6575731

4x
6439175

2x
243126

2x
6170529

1x
366626

2x
416226

1x
6605193

1x
6494113

1x
6099243

5x
302328

3x
302228

1x
6244787

2x
6149656

1x
6610681

2x
6248078

1x
6261353

2x
6354568

2x
6257593

1x
6170418

2x
6284596

4x
6271572

2x
6396058

4x
6092572

1x
6230233

2x
4211096

1x
4222693

1x
4211039

9x
6543014

2x
4543086

2x
6454959

2x
6307633

9x
6209691

1x
6167576

1x
6602158

1x
6602156

1x
6559510

1x
6585318

 [LEGO.com/service](https://www.LEGO.com/service)



YOU COULD
WIN



Scan this QR code or go to
LEGO.COM/PRODUCTFEEDBACK and give us
your short feedback about this LEGO® set
for a chance to win a cool LEGO prize.

Terms and Conditions apply*

EN: YOU COULD WIN. Terms and Conditions apply* **DE: Du könntest GEWINNEN.** Es gelten die Teilnahmebedingungen* **FR: Tu pourrais GAGNER.** Des conditions s'appliquent* **IT: Potresti VINCERE tu.** Termini e condizioni sono applicabili* **ES: Puedes GANAR.** Aplican términos y condiciones* **PT: PODERÁ GANHAR.** Aplicam-se Termos e Condições* **ZH: 轻松获奖.** 条款和条件适用* **PL: Szansa na WYGRANĄ.** Obowiązuje regulamin* **CS: Máte šanci VYHRÁT.** Platí všeobecné smluvní podmínky* **SK: Máte šancu VYHRÁŤ.** Platia všeobecné zmluvné podmienky* **HU: TE IS NYERHETSZ.** Felhasználási feltételek érvényesek* **UA: ВИ МОЖЕТЕ ВИГРАТИ.** Застосовуються загальні положення та умови* **RO: Ai putea CÂȘTIGA.** Se aplică termeni și condiții* **BG: Можете да СПЕЧЕЛИТЕ.** Има определени правила и условия* **LV: Tu vari LAIMĒT.** Ir spēkā noteikumi un nosacījumi.* **ET: Sul on võimalus VÕITA.** Kehtivad tingimused* **LT: Jūs galite LAIMĖTI.** Taikomos sąlygos*

*[LEGO.com/productfeedback-terms](https://www.lego.com/productfeedback-terms)

LEGO and the LEGO logo are trademarks of the/son des marques de commerce du/son marcas registradas de LEGO Group. ©2026 The LEGO Group.

Produced under license of Ferrari S.p.A. The name FERRARI, the PRANCING HORSE device, all associated logos and distinctive designs, including the design of the Ferrari cars, are property of Ferrari S.p.A.



6617272