

USE & CARE GUIDE

Pro Ventilation Hoods



## Contents

Wolf Pro Ventilation Hoods . . . . .	3
Safety Instructions . . . . .	4
Pro Ventilation Hood Operation . . . . .	6
Pro Ventilation Hood Care . . . . .	7
Troubleshooting . . . . .	9
Service Information . . . . .	10
Wolf Warranty . . . . .	11

Features and specifications are subject to change at any time without notice. Visit our website, [wolfappliance.com](http://wolfappliance.com) for the most up-to-date information.

**IMPORTANT NOTE:** Throughout this guide, dimensions in parentheses are millimeters unless otherwise specified.

## Important Note

To ensure the safe and efficient use of Wolf equipment, please take note of the following types of highlighted information throughout this guide:

**IMPORTANT NOTE** highlights information that is especially important.

**CAUTION** signals a situation where minor injury or product damage may occur if instructions are not followed.

**WARNING** states a hazard that may cause serious injury or death if precautions are not followed.



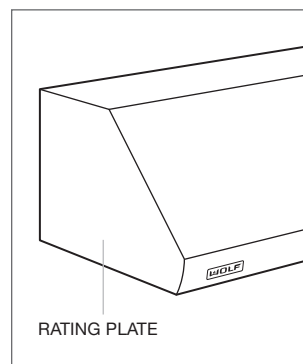
## Thank You

Your purchase of a Wolf pro ventilation hood attests to the importance you place upon the quality and performance of your cooking equipment. We understand this importance and have designed and built your ventilation hood with quality materials and workmanship to give you years of dependable service.

Before you begin using your ventilation hood, please take some time to read this use & care guide. It will be to your benefit to familiarize yourself with the safety practices, features, operation and care recommendations for your ventilation hood.

Your Wolf pro ventilation hood is protected by a warranty that is one of the finest in the industry. Take a moment to read the warranty statement at the end of this guide and refer to it should service become necessary.

If service should become necessary, you will need the model and serial numbers of the pro ventilation hood. Both numbers are listed on the product rating plate, located inside the left wall of the hood. Refer to the illustration below for location of the rating plate.



Rating plate location (inside hood).

## IMPORTANT INSTRUCTIONS

**IMPORTANT NOTE:** Read all safety instructions before using this appliance.

- Read this use & care guide carefully before using your new ventilation hood to reduce the risk of fire, electric shock or injury to persons.
- Ensure proper installation and servicing. This appliance must be properly installed and grounded by a qualified technician.
- Warranty service must be performed by Wolf factory certified service.
- Installation work and electrical wiring must be done by qualified person(s) in accordance with all applicable codes and standards, including fire-rated construction codes and standards.
- Use the ventilation hood only in the manner intended by Wolf Appliance, Inc. If you have questions, contact us at 800-222-7820.
- Before servicing or cleaning, switch power off at the service panel and lock the service disconnecting means to prevent power from being switched on accidentally. When the service disconnecting means can not be locked, securely fasten a prominent warning device, such as a tag, to the service panel.
- Sufficient air is needed for proper combustion and exhausting of gases through the flue (chimney) of fuel burning equipment to prevent back drafting.
- Follow the heating equipment manufacturer's guideline and safety standards such as those published by the National Fire Protection Association (NFPA), the American Society for Heating, Refrigeration and Air Conditioning Engineers (ASHRAE) and the local code authorities.

## GENERAL SAFETY REQUIREMENTS

- For general ventilating use only. Do not use this ventilation hood to exhaust hazardous or explosive materials and vapors.
- Ducted fans must always be vented to the outdoors.
- To reduce the risk of fire, use only metal ductwork.
- To reduce the risk of electric shock, this hood should only be used with fan speed control CM-18RT1 and CM-18RSTU2. Do not use this hood with an additional speed control device.
- For best capture of cooking impurities, the bottom of the hood should be a minimum of 30" (762) and a maximum of 36" (914) above the countertop.
- To avoid motor bearing damage and noisy or unbalanced impellers, keep drywall spray, construction dust, etc. off power unit.
- When cutting or drilling into wall or ceiling, do not damage electrical wiring or other hidden utilities.
- Please read the specification label on the ventilation hood for further information and requirements.

### **⚠ CAUTION**

To reduce the risk of fire and to properly exhaust air, always duct air outside. Do not vent exhaust air into spaces within walls or ceilings or into attics, crawl spaces or garages.

## IMPORTANT INSTRUCTIONS

### GENERAL SAFETY REQUIREMENTS

- Do not repair or replace any part of this appliance unless specifically recommended in this guide. All other service should be performed by a qualified technician.
- The hood motor has a thermal overload that will automatically shut off the motor if it becomes overheated. The motor will restart when it cools down. If the motor continually shuts off and restarts, contact Wolf factory certified service.
- Avoid using food products that produce flames under the ventilation hood.
- This product may have sharp edges. Be careful to avoid cuts and abrasions during installation and cleaning.

### **⚠ WARNING**

#### TO REDUCE RISK OF COOKTOP GREASE FIRE:

- A) Never leave surface units unattended at high settings. Boilovers cause smoking and greasy spillovers that may ignite. Heat oils slowly on low or medium settings.
- B) Always turn hood on when cooking at high heat or when flambeing foods.
- C) Clean ventilating fans frequently. Grease should not be allowed to accumulate on fan or filter.
- D) Use proper pan size. Always use cookware appropriate for the size of the surface element.

### TO REDUCE THE RISK OF INJURY TO PERSONS IN THE EVENT OF A RANGE TOP GREASE FIRE, OBSERVE THE FOLLOWING:

- Smother flames with close-fitting lid, cookie sheet, or metal tray, then turn off the burner. Be careful to prevent burns. If the flames do not go out immediately, evacuate and call the fire department.
- Never pick up a flaming pan—you may be burned.
- Do not use water, including wet dishcloths or towels—a violent steam explosion will result.

### USE AN EXTINGUISHER ONLY IF:

- You know you have a class ABC extinguisher and you already know how to operate it.
- The fire is small and contained in the area where it started.
- The fire department is being called.
- You can fight the fire with your back to an exit (NFPA fire safety tips).



## Hood Controls

Controls for pro ventilation hoods and hood liners are recessed under the front edge of the hood. Refer to the illustration below.

### LIGHT CONTROL

The left control knob operates the halogen lights. From the OFF position, turn the control knob to the left for LOW and right for the HIGH light setting.

### HEAT LAMP CONTROL

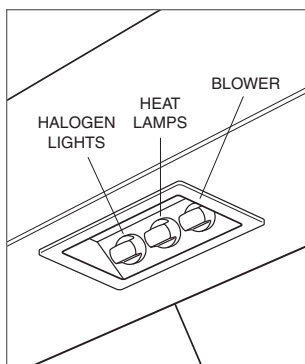
If equipped, the center control knob operates the heat lamps. Each lamp can be controlled independently or simultaneously. Turn the control knob to the left, right or center to select desired setting.

### BLOWER CONTROL

The right control knob operates the blower which allows infinite control of the blower speed. To turn the blower off, turn knob counterclockwise.

## Heat Sentry Feature

Heat sentry feature automatically turns the blower on or increases blower speed when exhaust temperature exceeds 200°F (95°C). It automatically adjusts to the previous setting once the temperature is below 186°F (85°C).

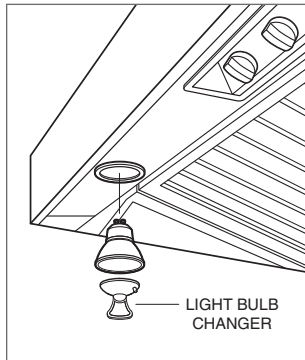


Hood controls.

## Halogen Lighting

Wolf pro ventilation hoods require a 50W, 120V GU10 halogen light bulb and are available through an authorized Wolf dealer. For local dealer information, visit the find a showroom section of our website, [wolfappliance.com](http://wolfappliance.com).

A suction-cup-style light bulb changer is provided with pro ventilation hoods. To remove, use the changer to rotate the bulb counterclockwise one quarter turn. Refer to the illustration below.



Light bulb removal.

## Heat Lamps

27" (686) deep wall hoods are equipped with two heat lamp receptacles that require R40, 250W maximum bulbs. Heat lamp bulbs are not included with the hood. The bulbs are available at hardware stores or through an authorized Wolf dealer. For local dealer information, visit the find a showroom section of our website, [wolfappliance.com](http://wolfappliance.com).

Allow the heat lamp to cool before replacing. Unscrew the bulb to replace.

### ⚠ CAUTION

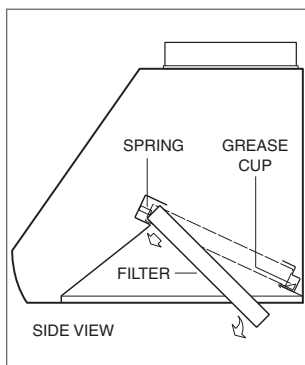
Use caution when replacing light bulbs. Adjacent parts of the ventilation hood may retain heat.

## Filter Removal

To remove filters, press upward then rotate bottom outward. Refer to the illustration below. To aide in removal, remove center filter first. Remove grease cups from bottom edge of hood (not included with pro hood liners). Gloves should be worn when handling filters.

Reinstall using the reverse procedure. Outer filters may need to be pushed over while the center filter is installed.

**IMPORTANT NOTE:** Do not operate the ventilation hood without the filters. This may cause damage to the blower or other internal components of the hood.



Filter removal.

## Care Recommendations

### STAINLESS STEEL

Use a nonabrasive stainless steel cleaner and apply with a soft lint-free cloth. To bring out the natural luster, lightly wipe surface with a water-dampened microfiber cloth followed by a dry polishing chamois. Always follow the grain of stainless steel.

### CONTROL KNOBS

Using a damp cloth, wipe with mild detergent or spray degreaser; rinse and dry.

### FILTERS AND GREASE CUPS

Filters are dishwasher safe and are designed to fit most dishwashers. Wipe filters and grease cups (if applicable) to remove excess grease before placing in the dishwasher.



### Troubleshooting

#### Ventilation hood does not operate.

- Verify the electrical connection to the hood has not been disconnected.

#### Blower runs but lights do not operate.

- Verify bulbs have not burned out.

## Service Information

When requesting information, literature, replacement parts or service, always refer to the model and serial numbers of your pro ventilation hood. This information is found on the product rating plate located inside the left wall of the hood. Refer to the illustration on page 3. Record the rating plate information below for future reference.

Model Number: \_\_\_\_\_

Serial Number: \_\_\_\_\_

Installation Date: \_\_\_\_\_

Wolf Factory Certified Service:

\_\_\_\_\_  
Phone: \_\_\_\_\_

Authorized Wolf Dealer:

\_\_\_\_\_  
Phone: \_\_\_\_\_

### BEFORE CALLING FOR SERVICE

Before calling Wolf factory certified service, refer to troubleshooting on page 9.

### PRODUCT REGISTRATION

Register your new Wolf product today so that we may ensure your satisfaction. You may register by one of the following options:

- 1) Mail in the completed Wolf product registration card.
- 2) Register online at [wolfappliance.com](http://wolfappliance.com).
- 3) Register by phone by calling Wolf customer care at **800-222-7820**.

The model and serial numbers of your unit are printed on the enclosed Wolf product registration card. If you provide us with your e-mail address, we will send you exciting new product updates and recipes as they become available, along with information on special events.

# Wolf Appliance Products Limited Warranty

FOR RESIDENTIAL USE ONLY

## FULL TWO YEAR WARRANTY\*

For two years from the date of original installation, your Wolf Appliance product warranty covers all parts and labor to repair or replace, under normal residential use, any part of the product that proves to be defective in materials or workmanship. All service provided by Wolf Appliance under the above warranty must be performed by Wolf factory certified service, unless otherwise specified by Wolf Appliance, Inc. Service will be provided during normal business hours.

## LIMITED FIVE YEAR WARRANTY

For five years from the date of original installation, Wolf Appliance will repair or replace the following parts that prove to be defective in materials or workmanship: gas burners (excluding appearance), electric heating elements, blower motors (ventilation hoods), electronic control boards, magnetron tubes and induction generators. The part(s) will be repaired or replaced, free of charge, with the owner paying for all other costs including labor. All service provided by Wolf Appliance under the above warranty must be performed by Wolf factory certified service, unless otherwise specified by Wolf Appliance, Inc. Service will be provided during normal business hours.

## TERMS APPLICABLE TO EACH WARRANTY

The warranty applies only to products installed for normal residential use. The warranty applies only to products installed in any one of the fifty states of the United States, the District of Columbia or the ten provinces of Canada. This warranty does not cover any parts or labor to correct any defect caused by negligence, accident or improper use, maintenance, installation, service or repair.

**THE REMEDIES DESCRIBED ABOVE FOR EACH WARRANTY ARE THE ONLY ONES THAT WOLF APPLIANCE, INC. WILL PROVIDE, EITHER UNDER THIS WARRANTY OR UNDER ANY WARRANTY ARISING BY OPERATION OF LAW. WOLF APPLIANCE, INC. WILL NOT BE RESPONSIBLE FOR ANY CONSEQUENTIAL OR INCIDENTAL DAMAGES ARISING FROM THE BREACH OF THIS WARRANTY OR ANY OTHER WARRANTY, WHETHER EXPRESS, IMPLIED OR STATUTORY.**

Some states do not allow the exclusion or limitation of incidental or consequential damages, so the above limitation or exclusion may not apply to you. This warranty gives you specific legal rights and you may also have other legal rights that vary from state to state.

To receive parts and/or service and the name of Wolf factory certified service nearest you, contact Wolf Appliance, Inc., P.O. Box 44848, Madison, WI 53744; check the contact & support section of our website, [wolfappliance.com](http://wolfappliance.com) or call 800-222-7820.

\*Stainless steel doors, panels, handles, product frames and interior surfaces are covered by a limited 60-day parts and labor warranty for cosmetic defects.

\*Replacement filters for ventilation hood recirculating kits are not covered by the product warranty.





WOLF APPLIANCE, INC. P. O. BOX 44848 MADISON, WI 53744 WOLFAPPLIANCE.COM 800.222.7820

821377 REV-A

8/2012

