

UVW9484SP

48" Designer Wall Mount Hood w/Dimmable LED Lighting

DIMENSIONS AND INSTALLATION INFORMATION (IN INCHES)

INSTALLATION INFORMATION:

Before installing, consult Use & Care/installation instructions packed with product for current dimensional data.

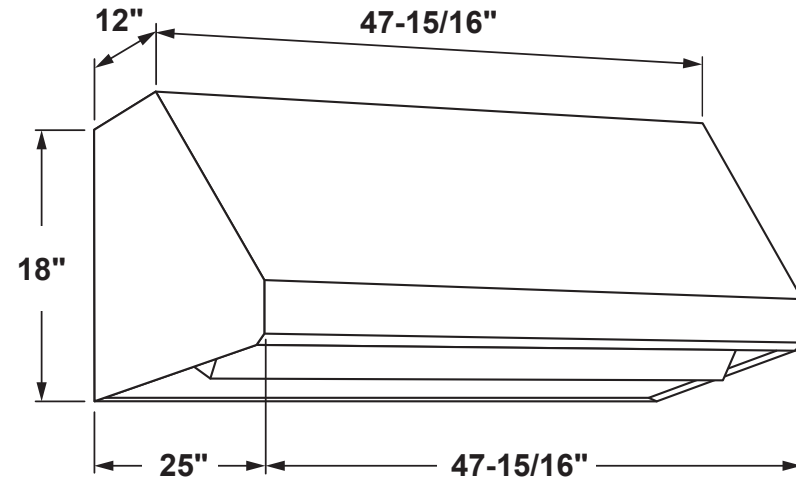
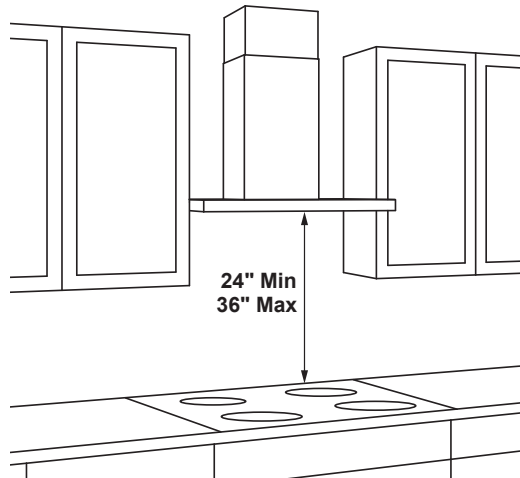
OPTIONAL ACCESSORIES

CX8DC9SPSS - 8 (ft.) High Ceiling Duct Cover Kit

CX10DC9SPSS - 10 (ft.) High Ceiling Duct Cover Kit

CX12DC9SPSS - 12 (ft.) High Ceiling Duct Cover Kit

AMP RATING	
120V	TBD



For answers to your Monogram, GE Café™, GE Profile™ or GE Appliances product questions, visit our website at geappliances.com or call GE Answer Center® Service, 800.626.2000.



Specification Created 4/21

UVW9484SP

48" Designer Wall Mount Hood w/Dimmable LED Lighting

FEATURES AND BENEFITS

1220 CFM Vertical Exhaust – With 1220 CFM of power in a vertical exhaust configuration, you can quickly and easily remove smoke, grease, odors and moisture from the air.

LED Hood Lighting – Get a bright view of your cooktop as you prepare your favorite meals with LED lighting in this range hood.

Removable Filter – This removable range hood filter is easy to take out and wash, so grease and odors are always removed from the kitchen air.

Dishwasher-Safe Baffle Filters – The baffle filters in this range hood are dishwasher-safe, making cleaning easier than ever.

Variable Speed Fan Control – This variable speed, high performance exhaust system pulls smoke and vapors out of the kitchen without making loud noise, so you can cook and talk without disruptions.

Baffle Filters – The baffle filters in this range hood trap more grease and require less frequent cleaning than standard filters.

Heat Sensor – This temperature sensor range hood will automatically turn on if the heat sensor detects high temperatures, preventing damage by reducing heat.

ADA Compliant – This ADA compliant range hood can be operated with a mobile device, eliminating reaching and improving safety for users of all abilities.

Model UVW9484SPSS – Stainless steel

