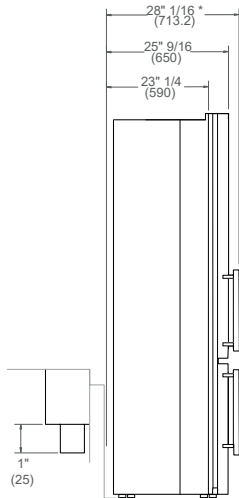


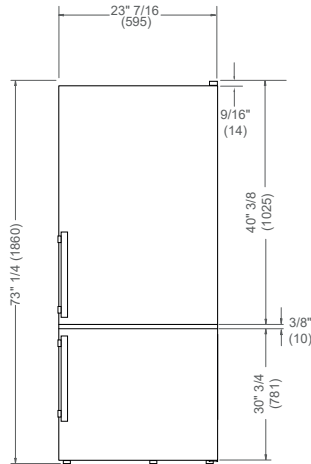
PRODUCT DIMENSIONS

SIDE VIEW

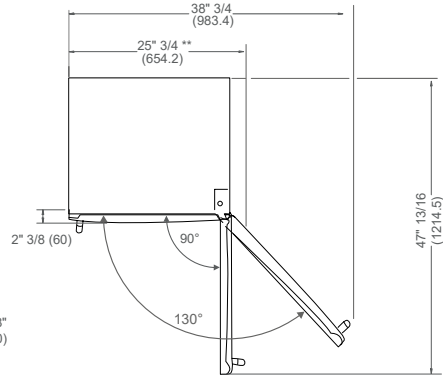


* with MAS handle kit / with PRO handle kit: 27 1/2 (699.2)

FRONT VIEW



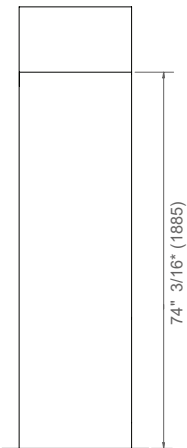
TOP VIEW



** with MAS handle kit / with PRO handle kit: 25 3/16 (640.2)

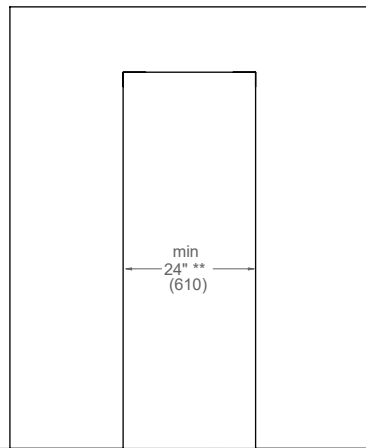
CUTOUT DIMENSIONS (Counter-depth Installation)

SIDE VIEW



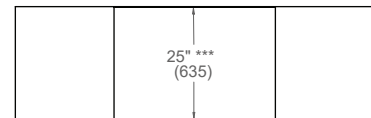
* dimension with a minimum clearance of 1" (25) on the top

FRONT VIEW



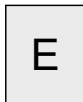
** dimension with a minimum clearance of 5/16" (7.5) on both sides

TOP VIEW

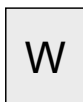


*** dimension with a minimum clearance of 1 3/4" (45) on the back

ELECTRICAL AND WATER CONNECTIONS

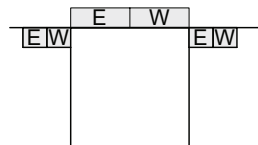


A properly-grounded, horizontally-mounted electrical receptacle should be installed according to this drawing



To connect to the water supply system, use the provided 1/4" water hose and 1/4" compression fitting nut. Provide for an accessible shut-off valve. Water hose is 59" (1500) long.

TOP VIEW



Connection(s) placement within the opening may require additional cabinet depth.

FRONT VIEW



Dimensions in parentheses are millimeters unless otherwise specified.