



Product: 30 Inch Professional Combination Microwave and Wall Ovens in Stainless Steel

Model Number: TMW30ED

TECHNICAL DETAILS

Fuel Type	Electric
Installation Type	Built-In
Amperage or Current (A)	40A (Dedicated)
Volts (V)	208V/240V
Frequency (Hz)	60Hz
Control Type	Touch Screen
Power Cord Length (in.)	47" (Power cord with plug not included in the US)
Door Opening Direction	Drop Down

DIMENSIONS & WEIGHTS

Product Dimensions (WxDxH) (in.)	30" x 25-1/8" x 42-1/2"
Product Height (from bottom to top of back splash) (in.)	41-3/4"
Product Height (from bottom to top of side panel) (in.)	42-1/2"
Product Depth (from back panel to control panel) (in.)	25-1/8"
Product Depth (from back panel to side panel front) (in.)	22"
Cutout Dimensions (WxDxH) (in.)	28-1/2" x 24" x 41-3/4"
Net Weight (lbs.)	243
Gross Weight (lbs.)	321
Package Dimensions (WxDxH) (in.)	32-9/32" x 29-1/2" x 44-11/16"

FEATURES & BENEFITS

- + Dual Oven Combination:** Features a 1.9 cu. ft. microwave oven on top and a 4.8 cu. ft. conventional wall oven below, offering the flexibility to cook multiple dishes at once.
- + Dual Oven Capacity (1.9 cu. ft. + 4.8 cu. ft.):** The 1.9 cu. ft. microwave oven combines microwave power, convection, and broiling for fast, oven-quality results, while the spacious 4.8 cu. ft. lower wall oven easily handles large meals, multiple racks, and everyday cooking with consistent performance.
- + Integrated Speed Cooking Technology:** Delivers the convenience of microwave cooking with the browning and crisping performance of a traditional oven.
- + LCD Touch Display:** Sleek, easy-to-use control panel with a responsive touchscreen and clear digital controls for effortless operation.
- + Built-In Air Fry with True Convection:** Enjoy crispy, golden results with little to no oil while the advanced convection fan circulates hot air evenly for faster preheating and consistent baking, roasting, and air frying — no separate appliance required.
- + Large Viewing Windows:** Wide glass oven doors provide a modern look and allow easy monitoring without opening the door.
- + Bright Halogen Interior Lighting:** Clearly illuminates the oven cavity so you can check progress at a glance.
- + Self-Clean Function:** High-heat self-cleaning technology helps eliminate grease and residue for easy maintenance.
- + Telescopic Glide Racks:** Heavy-duty, smooth-gliding racks extend fully for safer and more convenient access to dishes.



Specifications subject to change without notice.

ACCESSORIES INCLUDED

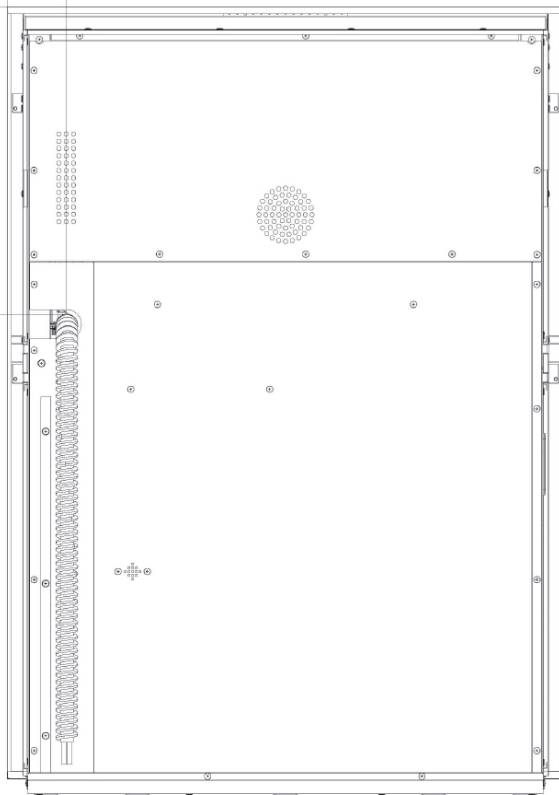
Microwave Oven: Reversible Rack
Turntable 14-5/16"
Ceramic Plate
Lower Oven: Telescopic Rack x2, Broil Pan Set x1, Airfry Basket x1

ACCESSORIES (REQUIRED) (SOLD SEPARATELY)

Power cord with plug

3-3/16" (81.3mm)

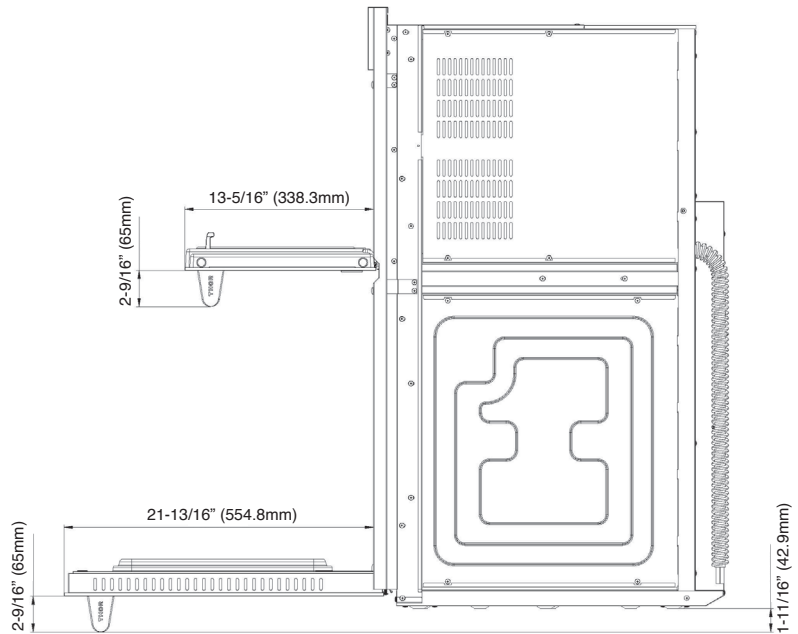
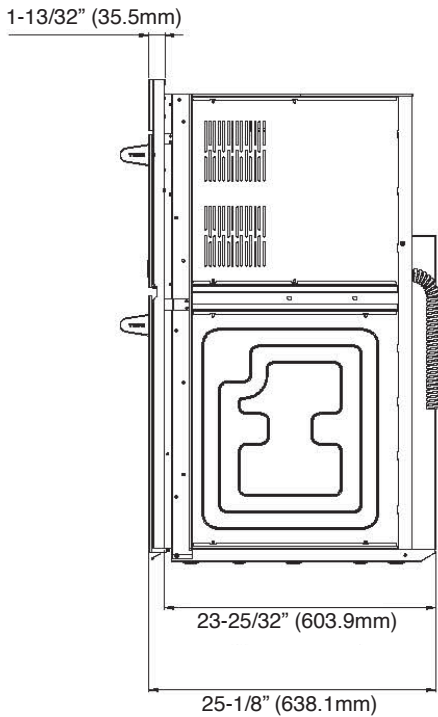
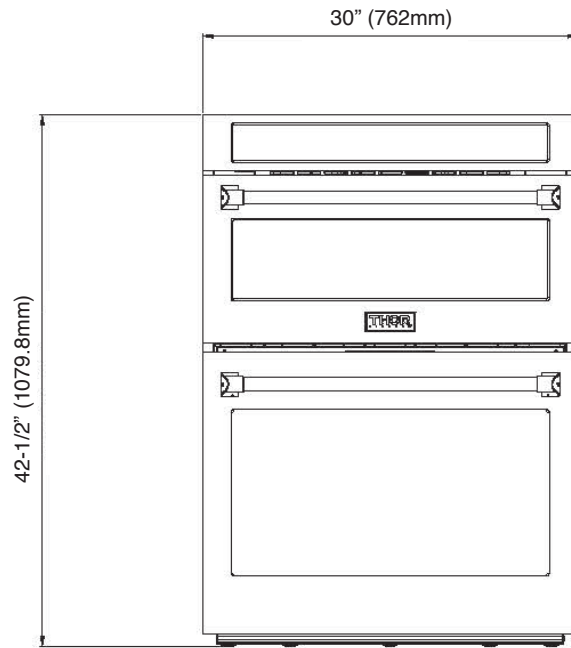
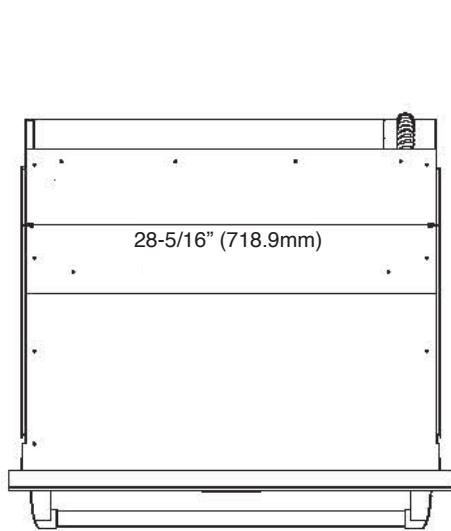
16-9/16" (420.5mm)



OVEN PERFORMANCE

Oven Capacity (cu. ft.)	1.9 cu. ft. and 4.8 cu. ft.
Microwave Selections	Soften/Melt, Defrost, Popcorn, Sensor Cook, Sensor Reheat, Beverage Center
Microwave Power Level	10
Cooking Modes	Microwave Oven: Sensor Cook, Sensor Reheat, Soften Melt, Defrost, Popcorn, Beverage, Conv Mode, Air Fry, Broil Lower Oven: Bake, Broil (Hi/Lo), Proof, Conv Bake, Conv Roast, Keep Warm, Air Fry, Pizza
Microwave Power	950W
Bake Burner Power	Microwave Oven: 1,700W Lower Oven: 3,000W
Broil Burner Power	Microwave Oven: 600W Lower Oven: 3,500W
Convection	Commercial convection
Oven Lights	Microwave Oven: 1 Lower Oven: 2
Oven Racks	Lower Oven: Telescopic Racks x2
Oven Rack Material	Chrome Plated
Baking Sheet Size	Fits 23" x 16" Baking sheet
Self Clean (Y/N)	Microwave Oven: No Lower Oven: Yes
Air Fry	Microwave Oven: Yes Lower Oven: Yes
Microwave Oven Cavity Dimension	16-9/16" x 16-9/16" x 9-13/16"
Oven Internal Width	Lower Oven: 23-3/4"
Oven Internal Depth	Lower Oven: 19-1/2"
Oven Internal Height	Lower Oven: 18"

Specifications subject to change without notice.



Specifications subject to change without notice.