



# 5 SERIES 48" AND 60"W. GAS RANGES

*Viking Professional 5 Series – VGR*

## COMMERCIAL-TYPE COOKING POWER

- **EXCLUSIVE** – VSH™ (VariSimmer-to-high) Pro sealed burner system
  - TruPowerPlus™ 18,500 BTU front right burner
  - All other burners are 15,000 BTUs
- **EXCLUSIVE** – VariSimmer setting for all burners
- **EXCLUSIVE** – all burners equipped with SureSpark ignition system for consistent and reliable ignition
  - Automatic re-ignition; surface burners light at any position on the knob and re-light if extinguished, even on lowest setting
- **NEW** Heavy-duty BlackChrome™ knobs and square bezels shipped standard
- **EXCLUSIVE** – combination of single 30,000 BTU U-shaped burner and infrared broiler with SureSpark ignition system; left oven in 48" wide model has one 15,000 BTU burner
- Gourmet-Glo infrared broiler provides intense searing heat for broiling applications (right oven only in 48" wide model)
- Large-capacity oven with six rack positions (see specifications for oven interior dimensions)
- Six functions – natural airflow bake, convection bake, infrared broil, convection infrared broil, convection dehydrate, and convection defrost (right oven only in 48" wide model)
- All convection modes utilize the ProFlow™ convection air baffle, which is specifically designed to ensure balanced airflow for even heat distribution
- **NEW EXCLUSIVE** – Gentle Close™ Door allows door to close slowly
- **NEW** larger window opening
- Convection fan switch conveniently located on control panel
- Two halogen oven lights for excellent visibility throughout the oven cavity



## EASY OPERATION AND CLEANUP

- **EXCLUSIVE** – one-piece tooled and porcelainized cooking surface for easy cleanup
- Burner caps are easily removable for quick cleaning
- Heavy-duty, porcelainized, cast-iron removable surface grates provide continuous front-to-rear, left-to-right surface for easy movement of large pots

## MODEL NUMBERS

- VGR5488B – 48"W. Gas Range; eight burners
- VGR5486G – 48"W. Gas Range; six burners with griddle
- VGR5606GQ – 60"W. Gas Range; six burners with griddle and grill

## ACCESSORIES

- BG8548SS – 8"H. backguard for 48" range
- BG8560SS – 8"H. backguard for 60" range
- HS245480SS – high shelf for 48" range
- HS24560SS – high shelf for 60" range
- P24CSTSS – countertop side trim (2 pieces)
- P48CRTSS – countertop rear trim for 48" range
- P60CRTSS – countertop rear trim for 60" range
- P48CBF4SS – curb base and custom curb base front for 48" range
- LPKPDR – LP/Propane Conversion Kit

## COLOR FINISHES

- Available in seven exclusive color finishes
- Stainless Steel (SS), Black (BK), White (WH), Apple Red (AR), Burgundy (BU), Cobalt Blue (CB), Graphite Gray (GG)



## WARRANTY

- 2-year full – complete product
- 90-day full – cosmetic parts such as glass, painted items and decorative items
- 5-year limited – gas burners

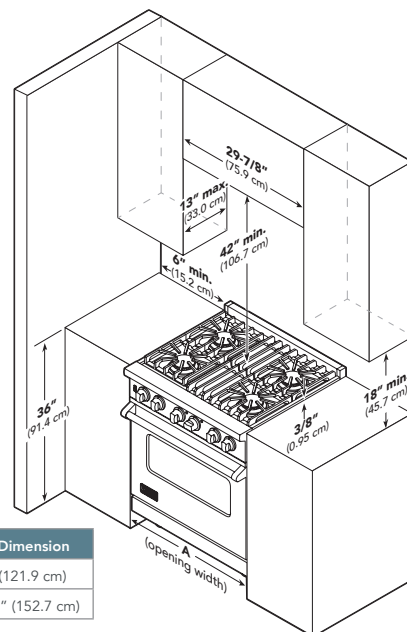
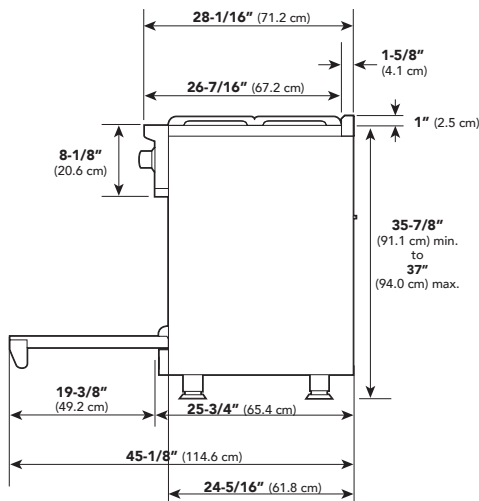
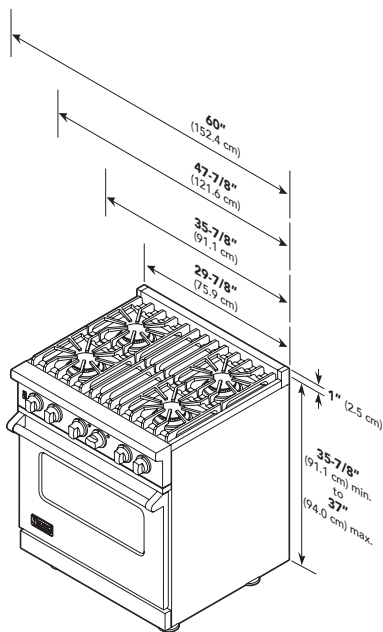


# 5 SERIES 48" AND 60"W. GAS RANGES

Viking Professional 5 Series – VGR

GAS 48" AND 60" W. RANGES		
DESCRIPTION	VGR548	VGR560
Overall Width	47-7/8" (121.6 cm)	60" (152.4 cm)
Overall Height from Bottom	Base Height To top of side trim – minimum 35-7/8" (91.1 cm) to maximum 37" (94 cm); legs adjust 1-1/8" (2.9 cm) Additions to Base Height To top of island trim – add 1" (2.5 cm); to top of backguard – add 8" (15.2 cm); to top of high shelf – add 23 1/2" (59.7 cm)	
Overall Depth from Rear	To end of side panel – 24 5/16" (61.8 cm); to front of door – 25-3/4" (65.4 cm); to end of door handle – 28-11/16" (72.9 cm)	
Surface Burner Rating	Natural Gas: 15,000 BTU (4.4 kW); 18,500 BTU (5.4 kW) LP: 12,500 BTU (3.7 kW); 16,600 BTU (4.9 kW)	
Griddle Burner Rating	12" wide – 15,000 BTU NAT./12,500 BTU LP (4.4 kW NAT./3.7 kW LP)	
Grill Burner Rating	-	18,000 BTU NAT./16,000 BTU LP (5.3 kW NAT./4.7 kW LP)
Gas Requirements	Shipped natural or LP/Propane gas; field convertible with conversion kit (purchased separately); accepts standard residential 1/2" (1.3 cm) ID gas service line	
Electrical Requirements	120VAC/60Hz; 4 ft. (121.9 cm), 3-wire cord with grounded 3-prong plug attached to product	
Maximum Amp Usage	2.0 amps	2.0 amps
Broil Burner	18,000 BTU NAT./16,000 BTU LP (5.3 kW NAT./4.7 kW LP)	
Bake Burner	Right Oven: 30,000 BTU NAT./LP (8.8 kW NAT./LP) Left Oven: 15,000 BTU NAT./LP (4.4 kW NAT./LP)	Both Ovens: 30,000 BTU NAT./LP (8.8 kW NAT./LP)
Oven Interior Dimensions	Right Oven – Convection Bake/Broil Overall Width – 23" (58.4 cm); Height – 16-1/8" (41.0 cm) Depth – 18-3/4" (47.6 cm); Overall Size – 4.0 cu. ft. AHAM Standard* – 3.7 cu. ft. 3 racks, 6 rack positions Left Oven – Bake Overall Width – 12-1/8" (30.8 cm); Height – 16-1/8" (41.0 cm) Depth – 18-3/4" (47.6 cm); Overall Size – 2.1 cu. ft. AHAM Standard* – 2.0 cu. ft. 2 racks, 6 rack positions	Convection Bake/Broil (both ovens) Overall Width – 23" (58.4 cm); Height – 16-1/8" (41.0 cm) Depth – 18-3/4" (47.6 cm); Overall Size – 4.0 cu. ft. AHAM Standard* – 3.7 cu. ft. 3 racks, 6 rack positions
Approximate Shipping Weight	575 lb. (258.8 kg)	750 lb. (337.5 kg)

Please do not prepare installation from brochure data only. See installation instructions for important clearance/installation information.  
 \*\*The AHAM Standard for measuring oven capacity subtracts the door plug and convection baffle dimension from the total oven volume.



"A" Dimension	"A" Dimension
48"	48" (121.9 cm)
60"	60-1/8" (152.7 cm)



VIKING RANGE, LLC 111 FRONT STREET GREENWOOD, MISSISSIPPI 38930 USA

For detailed product information, model numbers, or to request a quote call 1-888-845-4641 or visit [vikingrange.com](http://vikingrange.com)  
 © 2017 Viking Range, LLC All rights reserved. Specifications subject to change without notice.