

LIEBHERR

Design Guide
Freestanding / Semi Built In
24", 30", 48", 36", 60" and 72"

Release 01 2017



Liebherr's engineering excellence in Germany provides the largest selection of freezers, refrigerators and wine refrigerators worldwide.

Liebherr is one of the World's leading Manufacturers of Premium Refrigeration. For more than 60 years, Liebherr has specialized in developing and manufacturing first class refrigerators and freezers as well as wine cabinets. We focus on performance and efficiency as well as keeping food fresher longer. Produced in Austria and Germany, Liebherr has a full line of premium models tailored specifically for the North American marketplace to fit any design vision you have for your kitchen.

Our freestanding stainless models are sleek centerpieces that make a definite statement. Our built-in models are perfect for designs that call for units that slide into cabinet surrounds. And our fully-integrated models become one with your kitchen design, hidden seamlessly behind your custom cabinetry.

High quality materials, perfectly detailed finishes, precise electronic control systems, elite cooling components, variable speed compressors and the latest production processes ensure energy efficiency and performance for years to come. Our superior products offer premium quality, cutting edge design and innovative features that fit with your busy lifestyle.

Liebherr's Commitment to the Environment

The components of Liebherr products can be recycled when the necessary resources are available. A concern for the environment and a desire to protect resources has led to increased levels of recycling year after year. When Liebherr manufactures products, it is essential that the recyclable recovery rate of the materials we use constantly increases.

Recycling is a common goal among all manufacturers, municipalities and recycling companies to protect our environment. Protecting the environment and producing products which have a low impact on the environment, is one of Liebherr's core values. When the time comes, please attempt to dispose of your old appliances in an environmentally safe and friendly manner.

LIEBHERR WARRANTY PLAN

FULL TWO YEAR WARRANTY

For two years from the date of original purchase, your Liebherr warranty covers all parts and labor to repair or replace any part of the product which proves to be defective in materials or workmanship.

FULL FIVE YEAR WARRANTY

For five years from the date of original purchase, your Liebherr warranty covers all parts and labor to repair or replace any components that prove to be defective in materials or workmanship in the sealed system. The "Sealed System" means only the compressor, condenser, evaporator, drier and all connecting tubing.

LIMITED 6TH THROUGH 12TH YEAR WARRANTY

From the 6th through 12th year from the date of original purchase, your Liebherr warranty covers all parts that prove to be defective in materials or workmanship in the Sealed System (parts only).

For Service in the U.S.

Liebherr Service Center

Toll Free: **1-866-LIEBHER**
1-866-543-2437

Email: Service-appliances.us@liebherr.com

PlusOne Solutions, Inc.

3501 Quadrangle Blvd, Suite 120
Orlando, FL 32817

For Service in Canada

Liebherr Service Center

Toll Free: **1-888-LIEBHER**
1-888-543-2437

www.euro-parts.ca

EURO-PARTS CANADA

39822 Belgrave Road
Belgrave, Ontario, N0G 1E0
Phone: (519) 357-3320
Fax: (519) 357-1326

For Installation Questions

Install.Americas@liebherr.com

General Inquires: **1-855-543-2437**

Contents

Safety Warnings	6
Electrical Requirements & Safety	7
IceMaker (if equipped)	7
Area Requirements	8
Safety Regulations	8
Specifications 24" and 48" Models	9
CS 1210	9
CS 1360B.....	9
CS 1321	9
CBS 1360.....	10
SBS 26S2 (CS 1321 & CBS 1360).....	10
Specifications 30" and 60" Models	11
CS 1400R	11
CS 1400PC.....	11
CS 1400R-IM.....	11
CS 1410.....	12
CS 1640B.....	12
CBS 1660 (right hinged)	
CBS 1661 (left hinged).....	12
SBS 32S2 (CBS 1661 & CBS 1660)	13
Specifications 36" Models	14
CS 2060 (right hinged)	
CS 2061 (left hinged)	14
CS 2062.....	14
CBS 2062	14
Unit Dimensions	15
Unit Dimensions CS 1210.....	15
Unit Dimensions CS 1360B / CS 1321 / CBS 1360	16
Unit Dimensions SBS 26S2	17
Unit Dimensions CS 1400R / CS 1400PC / CS 1400R-IM	18
Unit Dimensions CS 1410.....	19
Unit Dimensions CS 1640B / CBS 1660 / CBS 1661	20
Unit Dimensions SBS 32S2	21
Unit Dimensions CS 2060, CS 2061	22
Unit Dimensions CS 2062, CBS 2062	23
Cabinet Opening Dimensions - 24" and 48" Models	24
Cabinet Opening Dimensions - 30" and 60" Models	25
Cabinet Opening Dimensions - 36" Models	27
Cabinet Opening Dimensions - 72" Models (Side by Side)	28
Ventilation Requirements 24", 30", 48" and 60" Models	29
Ventilation Requirements 36" and 72" (Side by Side) Models	30
Door Swing Clearance	31
Door Swing Clearance CS 2060, CS 2061	31
Door Swing Clearance CS 2062, CBS 2062	32
Accessories	33

General Remarks

Safety Warnings

PLEASE READ AND FOLLOW THESE INSTRUCTIONS

This design guide contains Warning and Important statements. This information is important for planning a safe and efficient installation. Please refer to the Installation Manual specific to your model for complete installation instructions.

This design guide is intended for planning purposes and is not a replacement for your appliance's Use and Care Manual which contains important information on how to use Liebherr appliances.

Always read and follow all Warning and Important statements!

 **WARNING!**

Warning indicates a potentially hazardous situation which, if not avoided, could result in death or serious injury.

IMPORTANT

This highlights information that is especially relevant to a problem-free installation and operation.

Make sure incoming voltage is the same as the unit rating.

To reduce the risk of fire, electric shock, or personal injury, the installation work and electrical wiring must be done by a qualified electrician in accordance with all applicable codes and standards, including fire rated construction.

To the Installer

It is very important that the guidelines and instructions are followed in this design guide to ensure proper installation and operation of the unit. The Installation Guidelines section contains important information for making sure the installation is correct. Read and understand all the information and installation guidelines in this manual before the unit is installed.

It is also very important to **know** the Safety Information.

General Remarks

Electrical Requirements & Safety

A 15 amp or 20 amp, 110-120 VAC, circuit which is grounded and protected by a circuit breaker or fuse is required.

We recommend using a dedicated circuit for each appliance to prevent circuit overload and the chance of interruption to the appliance.

The appliances are equipped with a three-prong (grounding) polarized plug for protection against possible shock hazards.

Comply with the National Electrical Code as well as local codes and ordinances when installing the receptacle.



WARNING!

Electrocution hazard.

Electrical grounding required.

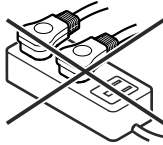
- Do not remove the round grounding prong from the plug. →



- Do not use extension cords or ungrounded (two-prong) adapters.

- Do not use a power cord that is frayed or damaged.

- Do not use a power strip. →



Failure to follow these instructions may result in fire, electrical shock or death.

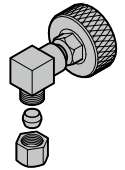
IceMaker (if equipped)

The icemaker is located in the freezer compartment. It must be connected to the water supply. The appliance must be level for the icemaker to function properly. Except for the CS 1640B which has an internal tank ice maker

The water supply pressure requirements are different based on whether or not the supplied Liebherr water filter is installed. With the filter installed, the pressure must be in the range of 40-90 psi (2.8-6.2 bar). Without the filter installed the acceptable pressure range is 22-87 psi (1.5-6 bar).

Use a braided style ice maker hose with 1/4" compression end or a 1/4" OD copper line to connect the water supply with the solenoid valve of the appliance. This is not supplied with the appliance.

The supplied brass fitting must be used to connect to the solenoid as the plastic threads on the solenoid are metric.



If you have hard water, we recommend you install a water softener. Also, a filter must be installed if the water contains solids such as sand.

All equipment and devices used to supply the water to the appliance must comply with the current regulations for your geographical area.

Safety Instructions and Warnings

- Do not attach the water source while the appliance is connected to an electrical outlet.
- A shut-off valve, must be installed between the hose line and the main water supply so that the water supply can be stopped if necessary. Do not install the shut-off valve behind the refrigeration unit, so the water can be stopped without removing the appliance from its niche.
- The connection to the water supply may only be made by a trained and licensed plumber.
- The water quality must comply with the drinking water regulations for the geographical area where the appliance is located.
- The icemaker is designed exclusively to make ice cubes in quantities needed by a household and may only be operated with water appropriate for this purpose.
- All repairs and work on the icemaker may only be done by customer service personnel or other trained personnel.
- The manufacturer cannot accept liability for damage caused by equipment or water lines between the solenoid valve and the water supply.

General Remarks

Area Requirements

Verify the following:

- Floors can support refrigerator's weight plus approximately 1200 pounds (544 kg) of food weight. Not all Liebherr products are designed for 1200 pounds (544 kg) of food. Some units are smaller and total weights may vary.
- Finished kitchen floor height is level. Refrigerator must be shimmed to the floor level, or levelled, to make sure, air vents are not obstructed.
- Remove anything attached to the rear or side walls that can obstruct refrigerator opening.
- Cutout dimensions are accurate.
- Electrical outlet is in correct location.

Do not install this unit next to any other refrigerator or freezer except another Liebherr model. Liebherr models are designed to allow side by side installation. They are equipped with a heating system to eliminate condensation when units are installed side by side. Installing this unit next to any other refrigerator or freezer can cause condensation or cause damage to the Liebherr unit.

IMPORTANT

To protect the refrigerator from possible damage, allow the appliance to stand 1 hour in place before turning the electricity on. This allows the refrigerant and system lubrication to reach equilibrium.

Blocking For Safety

The anti-tip bracket, if supplied must be installed to prevent the unit from tipping after it is installed. Refer to chapter "Blocking For Safety" in the installation instructions.

Safety Regulations

The appliances are designed to cool, freeze, store food as well and make ice (if equipped).

The appliances are manufactured to operate within specific ambient temperature limits according to its climate rating.

The climate rating indicates the ambient temperature at which the appliance may be operated in order to deliver optimal refrigeration performance.

The climate rating for each model is visible in chapter "Specifications".

Climate Rating	Ambient Temperature
SN	50°F to 90°F (10°C to 32°C)
N	61°F to 90°F (16°C to 32°C)
ST	61°F to 100°F (16°C to 38°C)
T	61°F to 109°F (16°C to 43°C)
SN-ST	50°F to 100°F (10°C to 38°C)
SN-T	50°F to 109°F (10°C to 43°C)

IMPORTANT

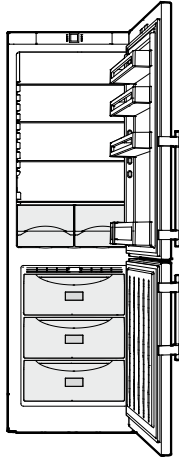
Do not operate the appliance outside the specified ambient temperature range.

- Refrigerant circuits are tested for leaks and complies with current safety regulations

CAN/CSA C22.2 No.60335-1-11
UL 60335-1 Fifth Edition
CAN/CSA C22.2 No. 60335-2-24-06
UL 60335-2-24 First Edition

Freestanding/Semi Built In Models

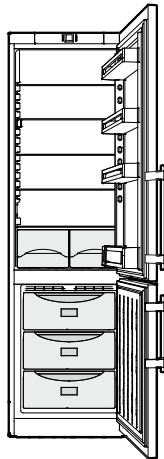
Specifications 24" and 48" Models



CS 1210

Energy Star:	certified
Energy consumption p. a.:	370 kWh
Energy Supply:	115V / 60Hz / 2.5A
Total capacity:	11.9 cu ft (337 L)
Refrigerator:	8.1 cu ft (229 L)
Freezer:	3.8 cu ft (108 L)
Climate Rating:	SN-T
Door hinges:	right / reversible

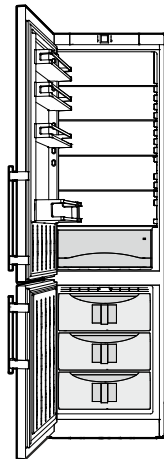
- Automatic refrigerator defrosting
- Automatic freezer compartment defrosting
- SmartSteel doors



CS 1360B

Energy Star:	certified
Energy consumption p. a.:	480 kWh
Energy Supply:	115V / 60Hz / 2.5A
Total capacity:	13.6 cu ft (385 L)
Refrigerator:	9.8 cu ft (277 L)
Freezer:	3.8 cu ft (108 L)
Climate Rating:	SN-T
Door hinges:	right / reversible

- Automatic refrigerator defrosting
- Automatic freezer compartment defrosting
- Automatic IceMaker
- SmartSteel doors

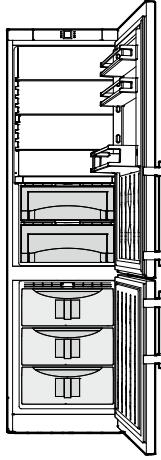


CS 1321

Energy Star:	certified
Energy consumption p. a.:	380 kWh
Energy Supply:	115V / 60Hz / 2.5A
Total capacity:	13.6 cu ft (385 L)
Refrigerator:	9.8 cu ft (277 L)
Freezer:	3.8 cu ft (108 L)
Climate Rating:	SN-T
Door hinges:	left / reversible

- Automatic refrigerator defrosting
- Automatic freezer compartment defrosting
- SmartSteel doors

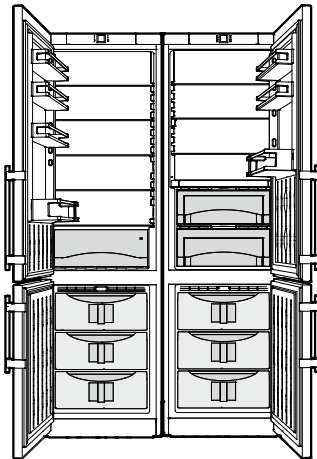
Freestanding/Semi Built In Models



CBS 1360

Energy Star:	certified
Energy consumption p. a.:	480 kWh
Energy Supply:	115V / 60Hz / 2.5A
Total capacity:	13.1 cu ft (370 L)
Refrigerator:	9.3 cu ft (262 L)
Freezer:	3.8 cu ft (108 L)
Climate Rating:	SN-T
Door hinges:	right / reversible

- Automatic refrigerator defrosting
- Automatic freezer compartment defrosting
- Automatic IceMaker
- SmartSteel doors
- BioFresh drawers with adjustable humidity



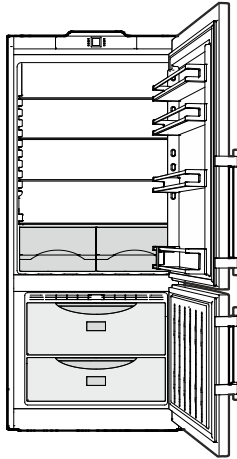
SBS 26S2 (CS 1321 & CBS 1360)

Energy Star:	certified
Energy consumption p. a.:	860 kWh
Energy Supply:	115V / 60Hz / 2.5A
Total capacity:	26.7 cu ft (755 L)
Refrigerator:	19.1 cu ft (539 L)
Freezer:	7.6 cu ft (216 L)
Climate Rating:	SN-T

- Automatic refrigerator defrosting
- Automatic freezer compartment defrosting
- SmartSteel doors
- Automatic IceMaker
- BioFresh drawers with adjustable humidity

Freestanding/Semi Built In Models

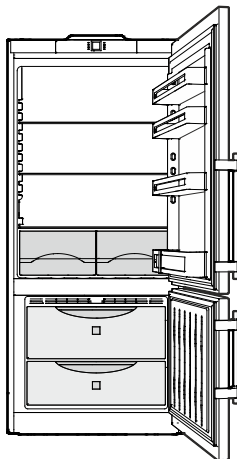
Specifications 30" and 60" Models



CS 1400R

Energy Star:	certified
Energy consumption p. a.:	380 kWh
Energy Supply:	115V / 60Hz / 2.5A
Total capacity:	13.7 cu ft (387 L)
Refrigerator:	10.2 cu ft (288 L)
Freezer:	3.5 cu ft (99 L)
Climate Rating:	SN-T
Door hinges:	right / reversible

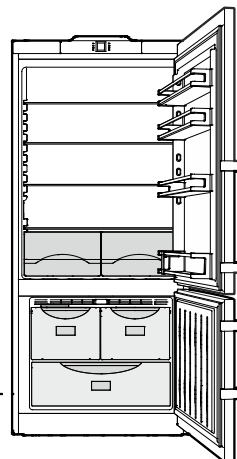
- Automatic refrigerator defrosting
- Automatic freezer compartment defrosting
- SmartSteel doors



CS 1400PC

Energy Star:	certified
Energy consumption p. a.:	380 kWh
Energy Supply:	115V / 60Hz / 2.5A
Total capacity:	13.7 cu ft (387 L)
Refrigerator:	10.2 cu ft (288 L)
Freezer:	3.5 cu ft (99 L)
Climate Rating:	SN-T
Door hinges:	right / reversible

- Automatic refrigerator defrosting
- Automatic freezer compartment defrosting
- SmartSteel doors

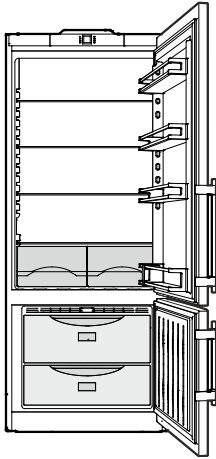


CS 1400R-IM

Energy Star :	certified
Energy consumption p. a.:	465 kWh
Energy Supply:	115V / 60Hz / 2.5A
Total capacity:	13.7 cu ft (387 L)
Refrigerator:	10.2 cu ft (288 L)
Freezer:	3.5 cu ft (99 L)
Climate Rating:	SN-T
Door hinges:	right / reversible

- Automatic refrigerator defrosting
- Automatic freezer compartment defrosting
- Automatic IceMaker
- SmartSteel doors

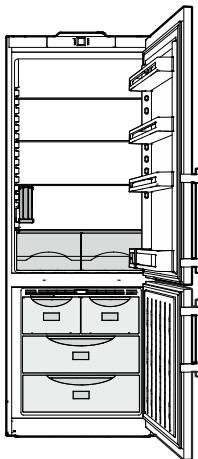
Freestanding/Semi Built In Models



CS 1410

Energy Star:	certified
Energy consumption p. a.:	380 kWh
Energy Supply:	115V / 60Hz / 2.5A
Total capacity:	15.6 cu ft (442 L)
Refrigerator:	12.1 cu ft (343 L)
Freezer:	3.5 cu ft (99 L)
Climate Rating:	SN-T
Door hinges:	right / reversible

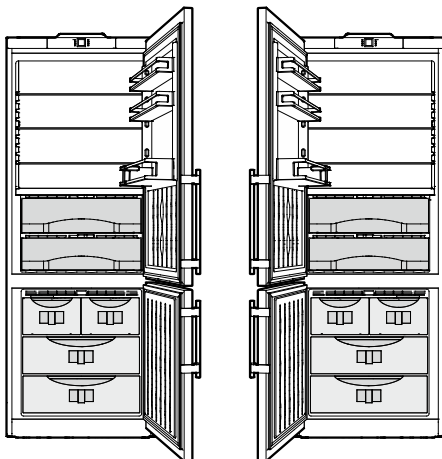
- Automatic refrigerator defrosting
- Automatic freezer compartment defrosting
- SmartSteel doors



CS 1640B

Energy Star:	certified
Energy consumption p. a.:	496 kWh
Energy Supply:	115V / 60Hz / 2.5A
Total capacity:	16.8 cu ft (477 L)
Refrigerator:	12.1 cu ft (343 L)
Freezer:	4.7 cu ft (134 L)
Climate Rating:	SN-T
Door hinges:	right / reversible

- Automatic refrigerator defrosting
- Automatic freezer compartment defrosting
- Automatic IceMaker with watertank
- SmartSteel doors



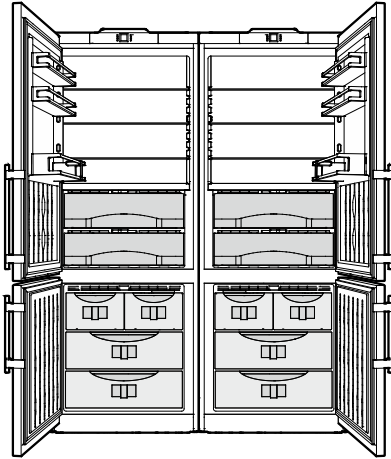
CBS 1660 (right hinged)

CBS 1661 (left hinged)

Energy Star:	certified
Energy consumption p. a.:	488 kWh
Energy Supply:	115V / 60Hz / 2.5A
Total capacity:	16.4 cu ft (464 L)
Refrigerator:	11.5 cu ft (326 L)
Freezer:	4.9 cu ft (138 L)
Climate Rating:	SN-T
Door hinges:	right / reversible

- Automatic refrigerator defrosting
- Automatic freezer compartment defrosting
- Automatic IceMaker
- SmartSteel doors
- BioFresh drawers with adjustable humidity

Freestanding/Semi Built In Models



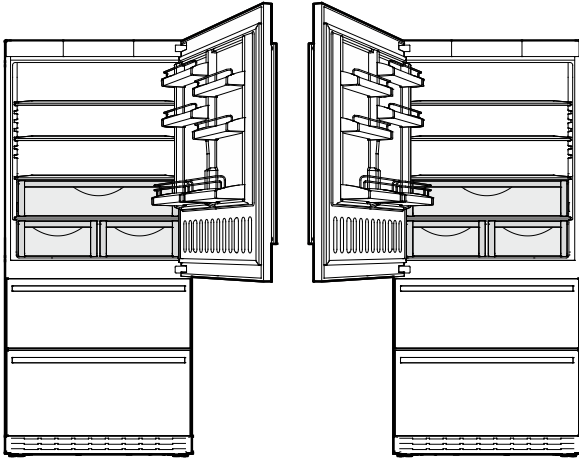
SBS 32S2 (CBS 1661 & CBS 1660)

Energy Star:	certified
Energy consumption p. a.:	984 kWh
Energy Supply:	115V / 60Hz / 2.5A
Total capacity:	32.8 cu ft (928 L)
Refrigerator:	23 cu ft (652 L)
Freezer:	9.8 cu ft (276 L)
Climate Rating:	SN-T

- Automatic refrigerator defrosting
- Automatic freezer compartment defrosting
- Automatic IceMaker
- SmartSteel doors
- BioFresh drawers with adjustable humidity

Freestanding/Semi Built In Models

Specifications 36" Models

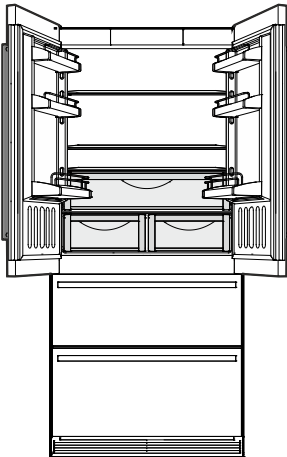


CS 2060 (right hinged)

CS 2061 (left hinged)

Energy Star:	certified
Energy consumption p. a.:	532 kWh
Energy Supply:	115V / 60Hz / 2.5A
Total capacity:	19.5 cu ft (552 L)
Refrigerator:	13.5 cu ft (382 L)
Freezer:	6 cu ft (170 L)
Ice cube output:	3 lbs/24h
Ice cube stock:	6 lbs
Climate Rating:	SN-T

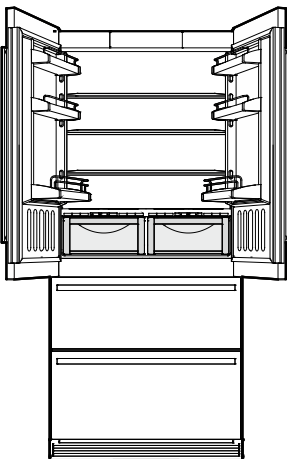
- Automatic refrigerator defrosting
- Automatic freezer compartment defrosting
- Automatic IceMaker can be switched off
- LED light column and LED freezer lighting



CS 2062

Energy Star:	certified
Energy consumption p. a.:	532 kWh
Energy Supply:	115V / 60Hz / 2.5A
Total capacity:	19.5 cu ft (552 L)
Refrigerator:	13.5 cu ft (382 L)
Freezer:	6 cu ft (170 L)
Ice cube output:	3 lbs/24h
Ice cube stock:	6 lbs
Climate Rating:	SN-T

- Automatic refrigerator defrosting
- Automatic freezer compartment defrosting
- Automatic IceMaker can be switched off
- LED light column and LED freezer lighting



CBS 2062

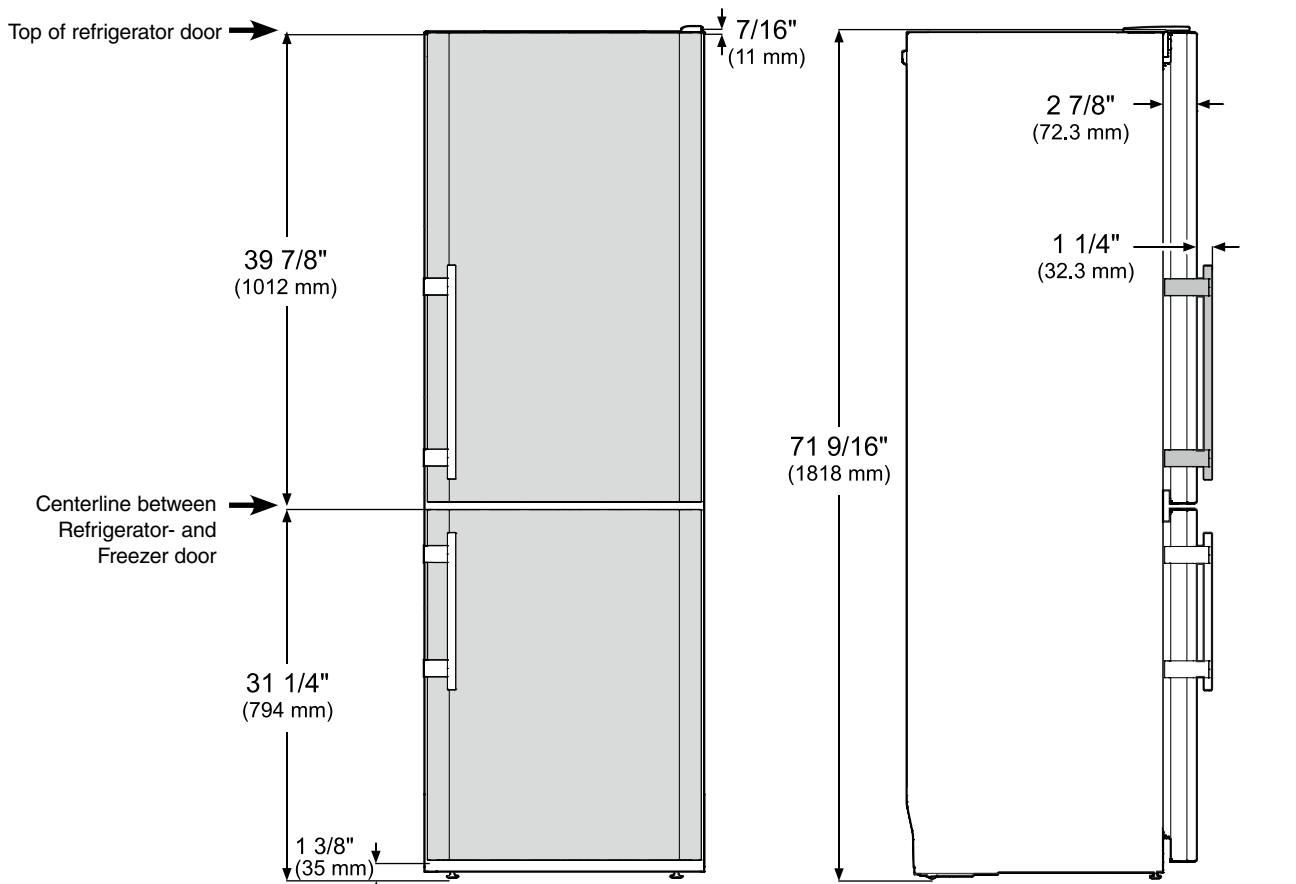
Energy Star:	certified
Energy consumption p. a.:	528 kWh
Energy Supply:	115V / 60Hz / 2.5A
Total capacity:	18.9 cu ft (535 L)
Refrigerator:	12.9 cu ft (365 L)
Freezer:	6 cu ft (170 L)
Ice cube output:	3 lbs/24h
Ice cube stock:	6 lbs
Climate Rating:	SN-T

- Automatic refrigerator defrosting
- Automatic freezer compartment defrosting
- Automatic IceMaker can be switched off
- LED light column and LED freezer lighting
- BioFresh drawers with adjustable humidity

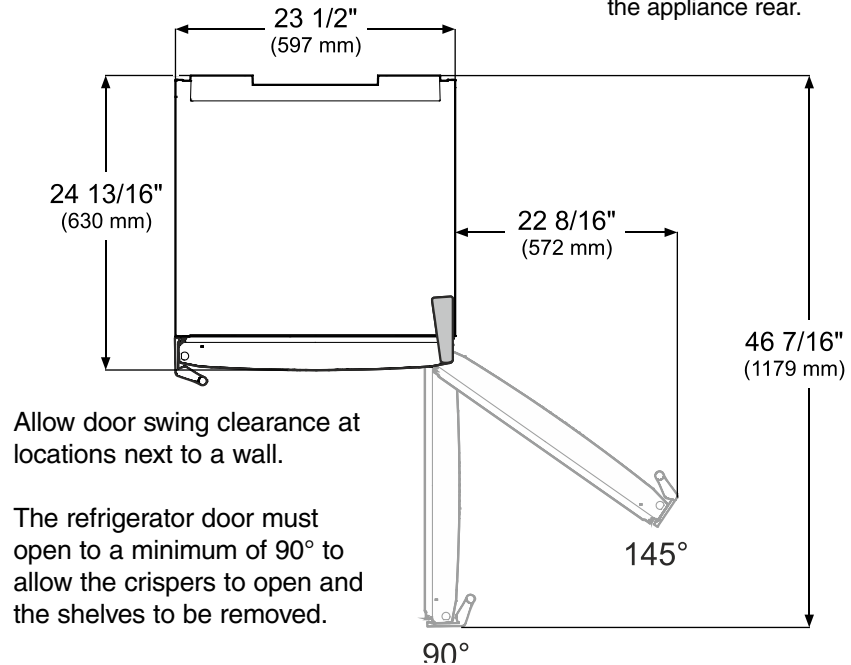
Freestanding/Semi Built In Models

Unit Dimensions

Unit Dimensions CS 1210



Height can be increased by 5/8" (16 mm) by turning the levelling feet at the front and the height adjustable roller units at the appliance rear.

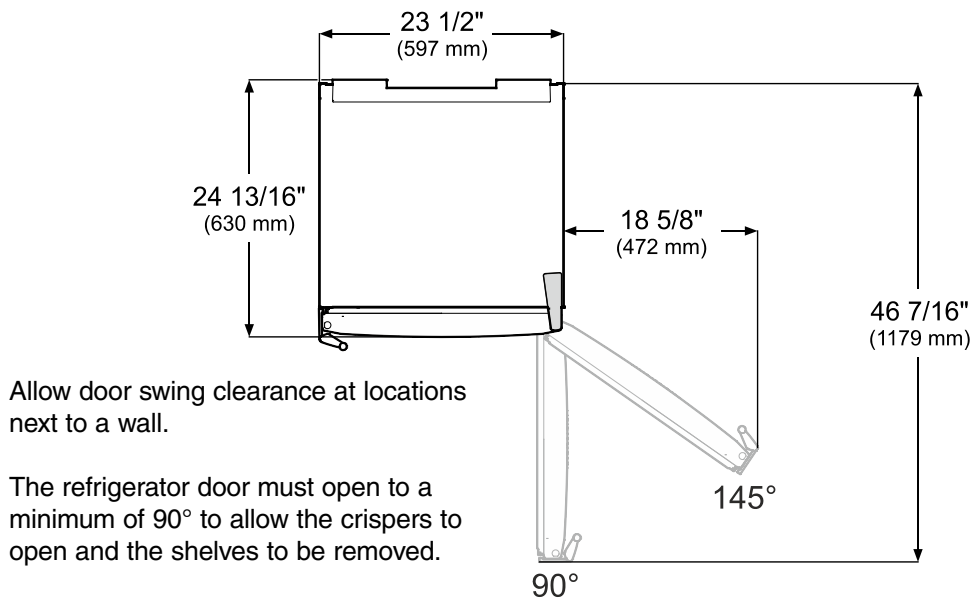
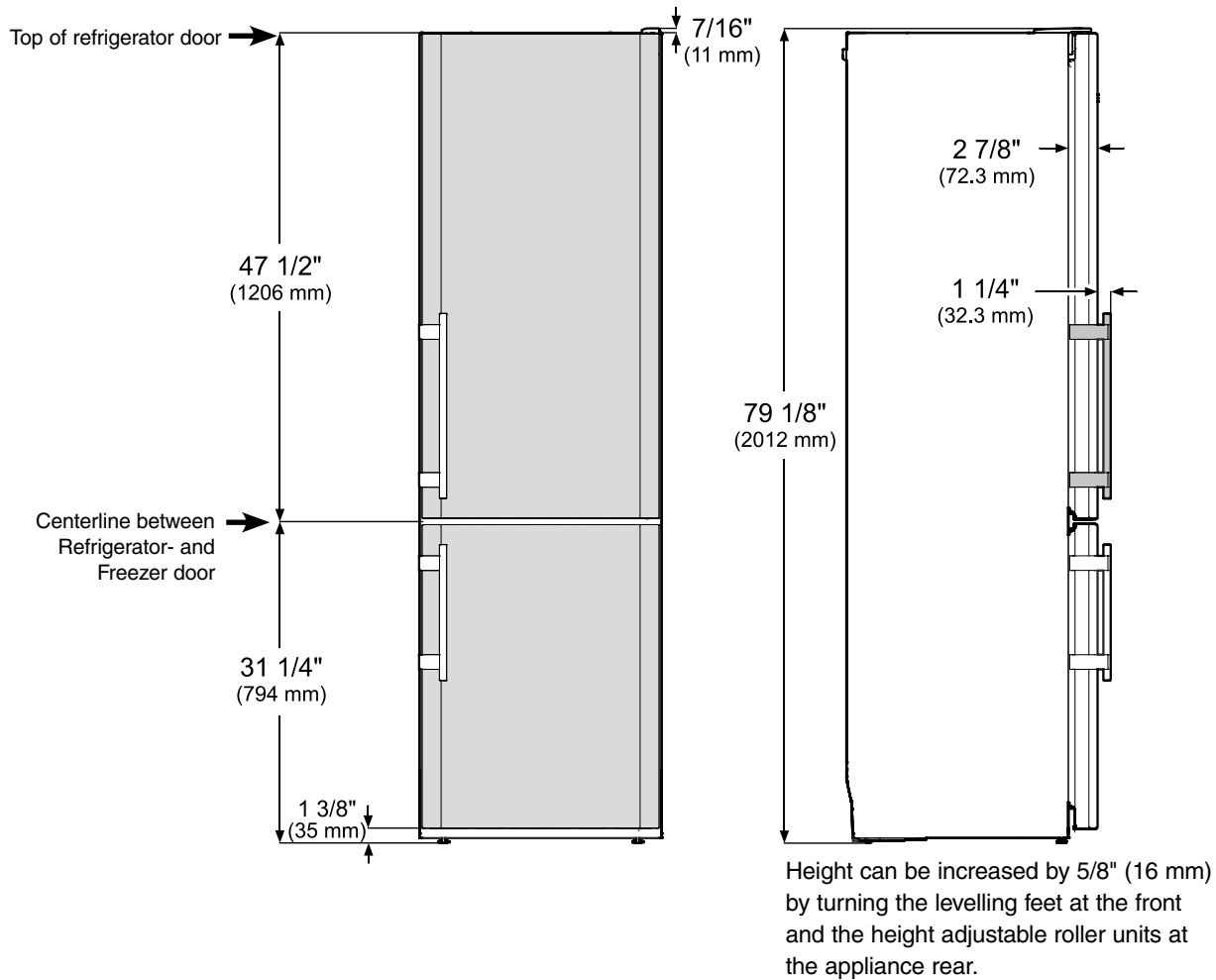


Allow door swing clearance at locations next to a wall.

The refrigerator door must open to a minimum of 90° to allow the crispers to open and the shelves to be removed.

Freestanding/Semi Built In Models

Unit Dimensions CS 1360B / CS 1321 / CBS 1360



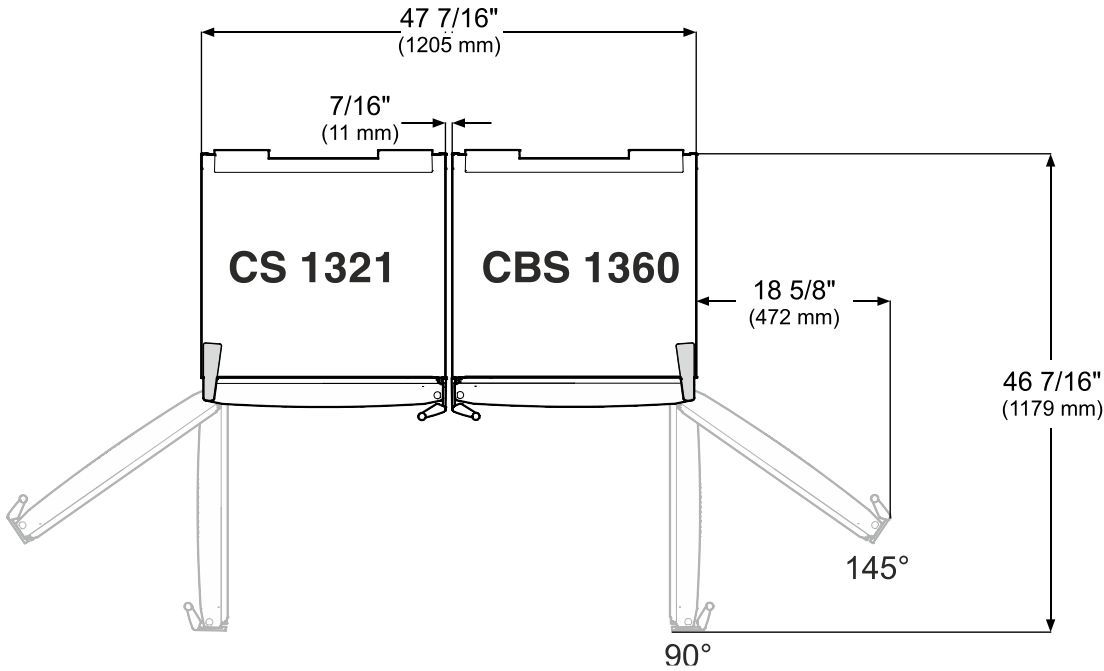
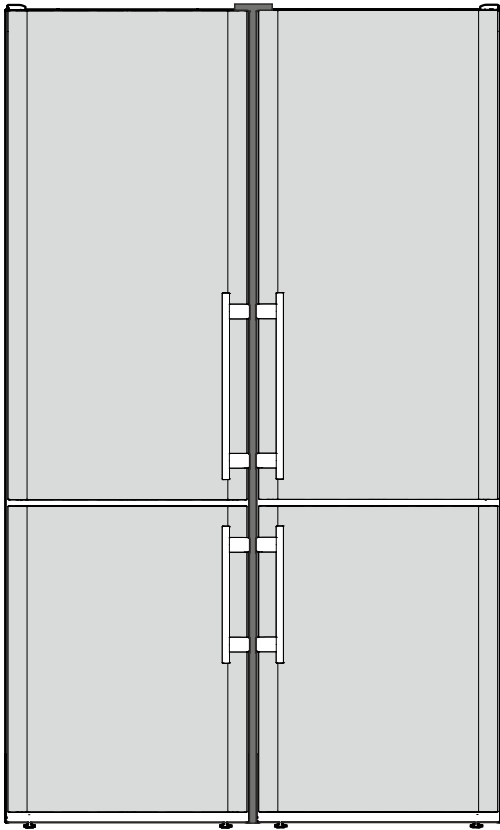
Allow door swing clearance at locations next to a wall.

The refrigerator door must open to a minimum of 90° to allow the crispers to open and the shelves to be removed.

For models CS 1321 and CBS 1360 it is possible to limit the door opening to 90°

Freestanding/Semi Built In Models

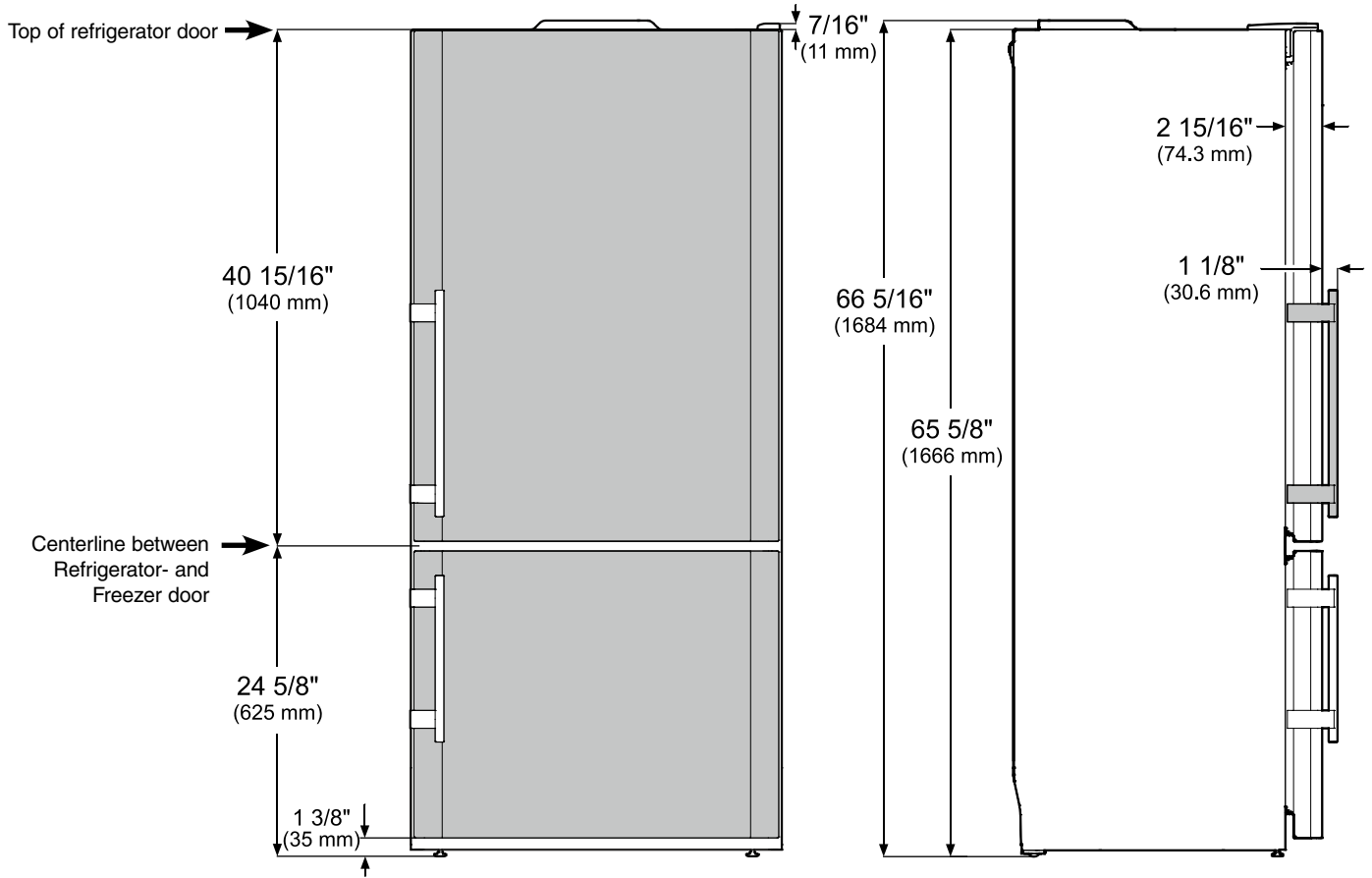
Unit Dimensions SBS 26S2



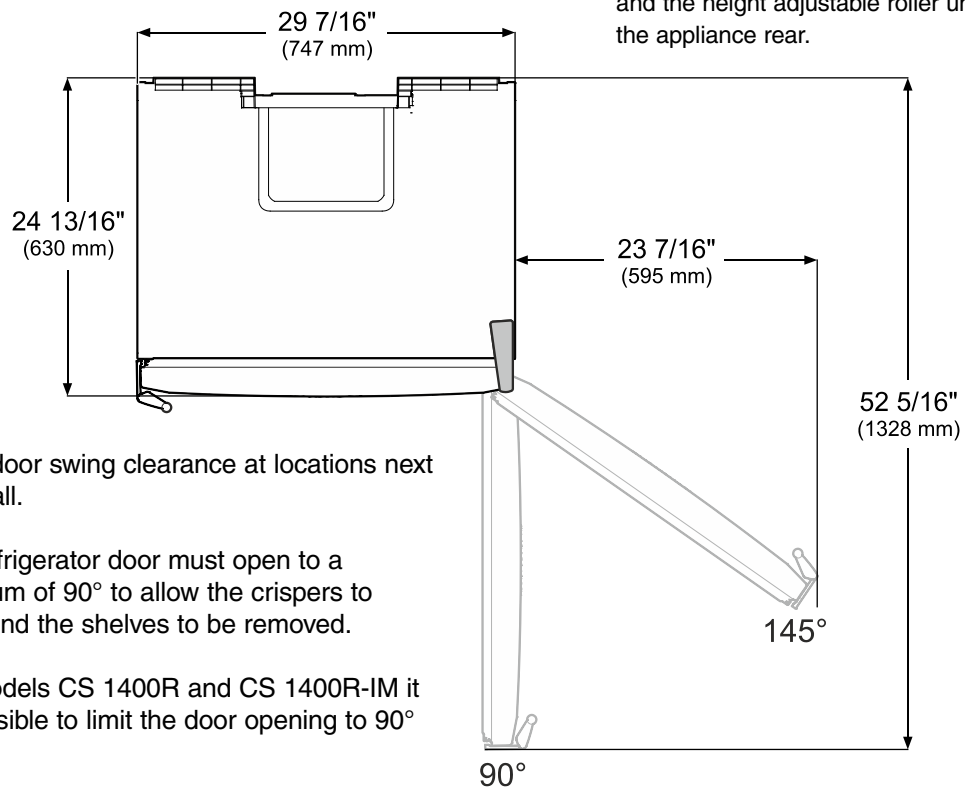
Detail measures for each appliance see "Unit Dimensions CS 1321 and CBS 1360"

Freestanding/Semi Built In Models

Unit Dimensions CS 1400R / CS 1400PC / CS 1400R-IM



Height can be increased by $5/8$ " (16 mm) by turning the levelling feet at the front and the height adjustable roller units at the appliance rear.



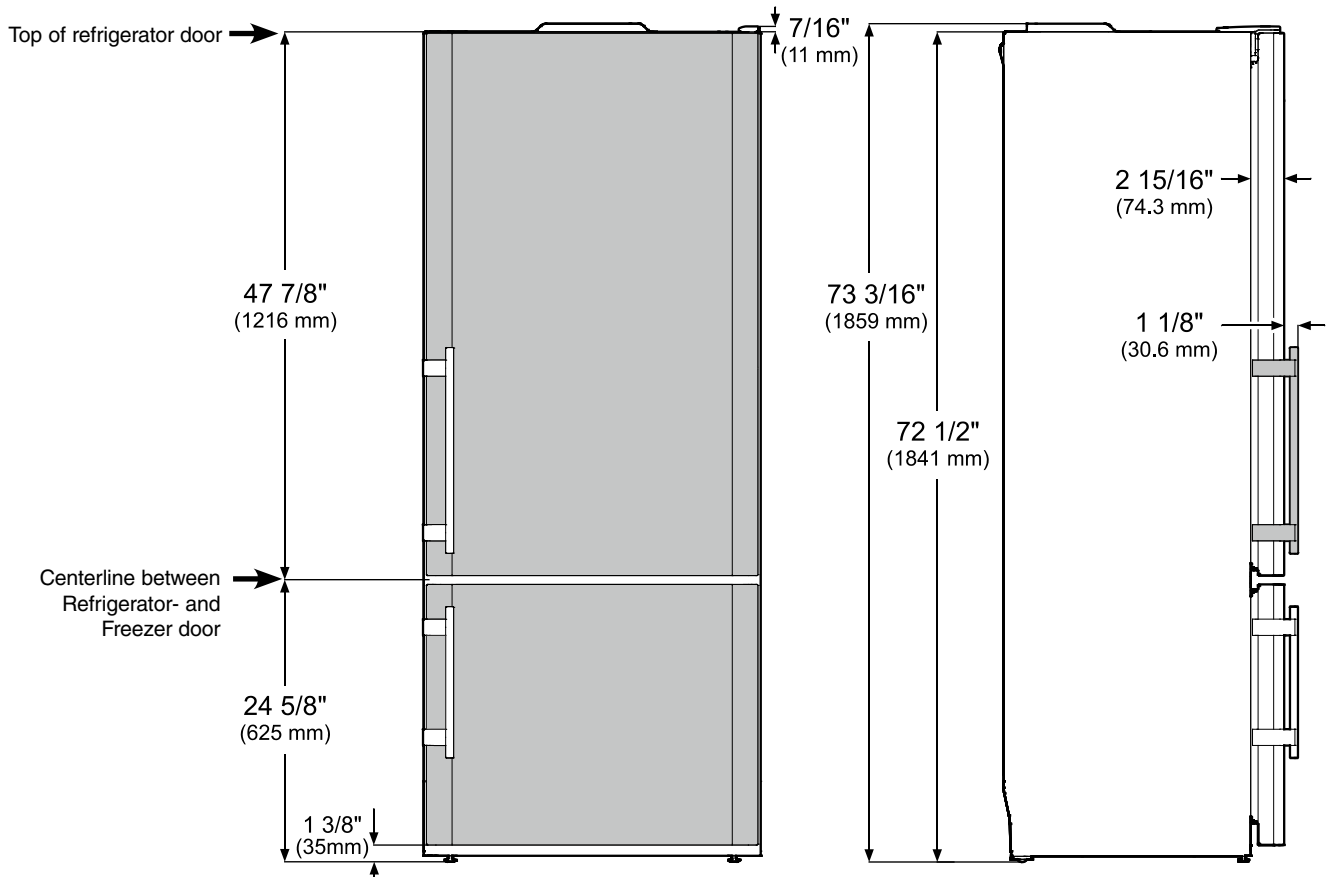
Allow door swing clearance at locations next to a wall.

The refrigerator door must open to a minimum of 90° to allow the crispers to open and the shelves to be removed.

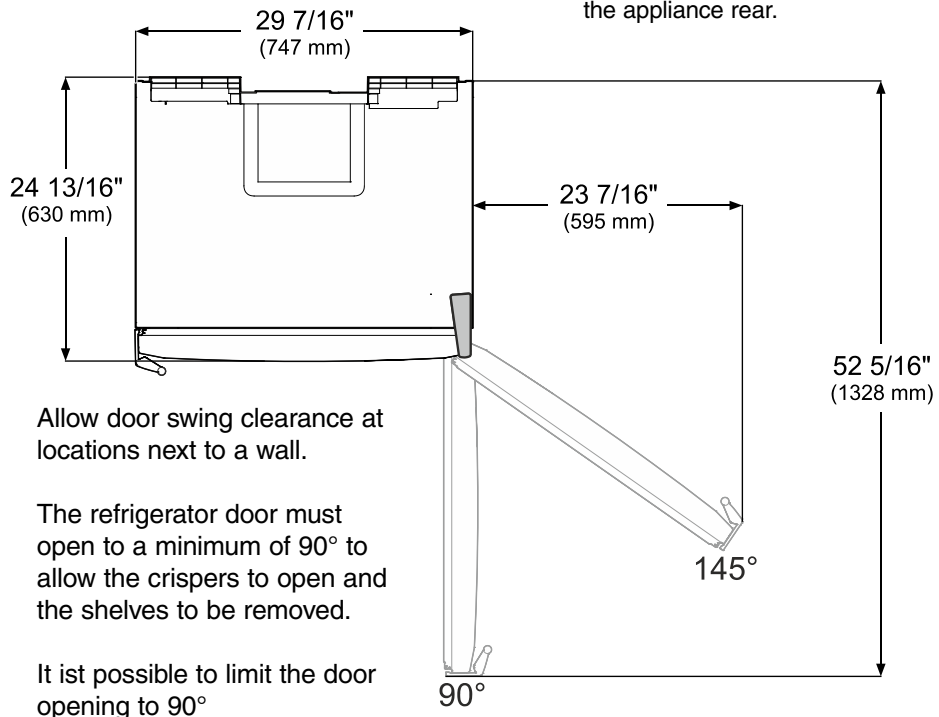
For models CS 1400R and CS 1400R-IM it is possible to limit the door opening to 90°

Freestanding/Semi Built In Models

Unit Dimensions CS 1410



Height can be increased by 5/8" (16 mm) by turning the levelling feet at the front and the height adjustable roller units at the appliance rear.



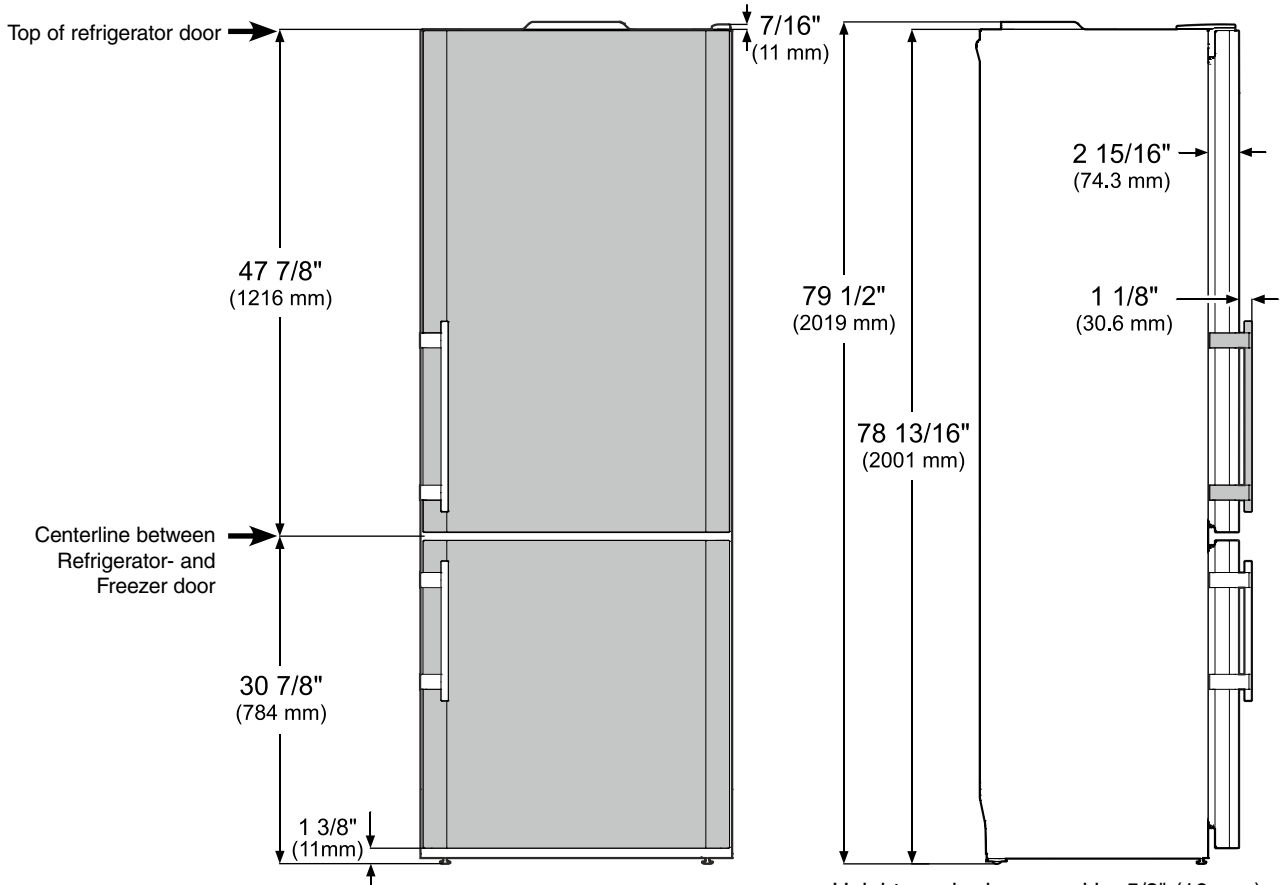
Allow door swing clearance at locations next to a wall.

The refrigerator door must open to a minimum of 90° to allow the crispers to open and the shelves to be removed.

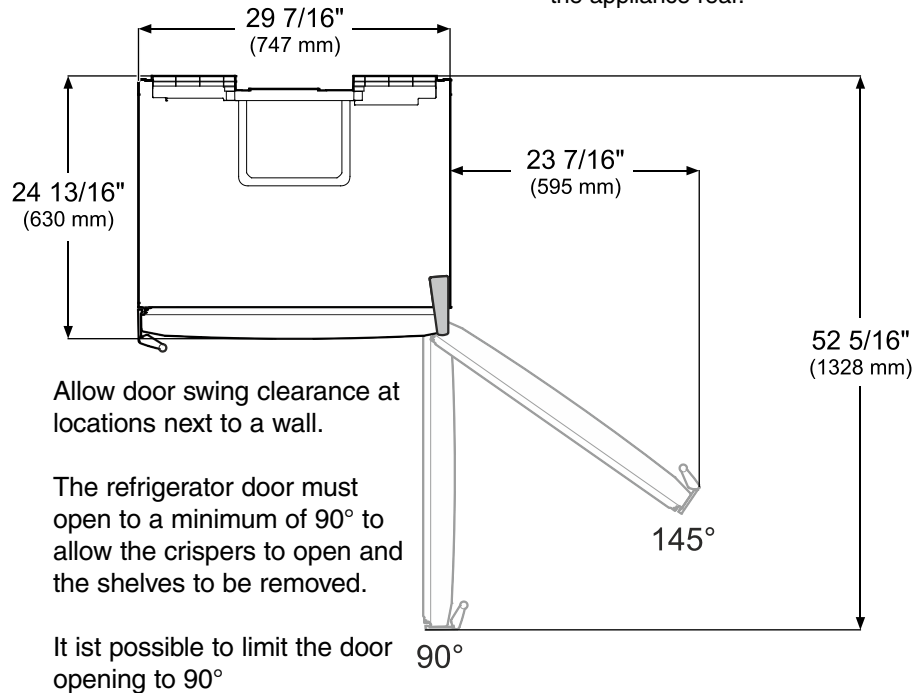
It is possible to limit the door opening to 90°

Freestanding/Semi Built In Models

Unit Dimensions CS 1640B / CBS 1660 / CBS 1661

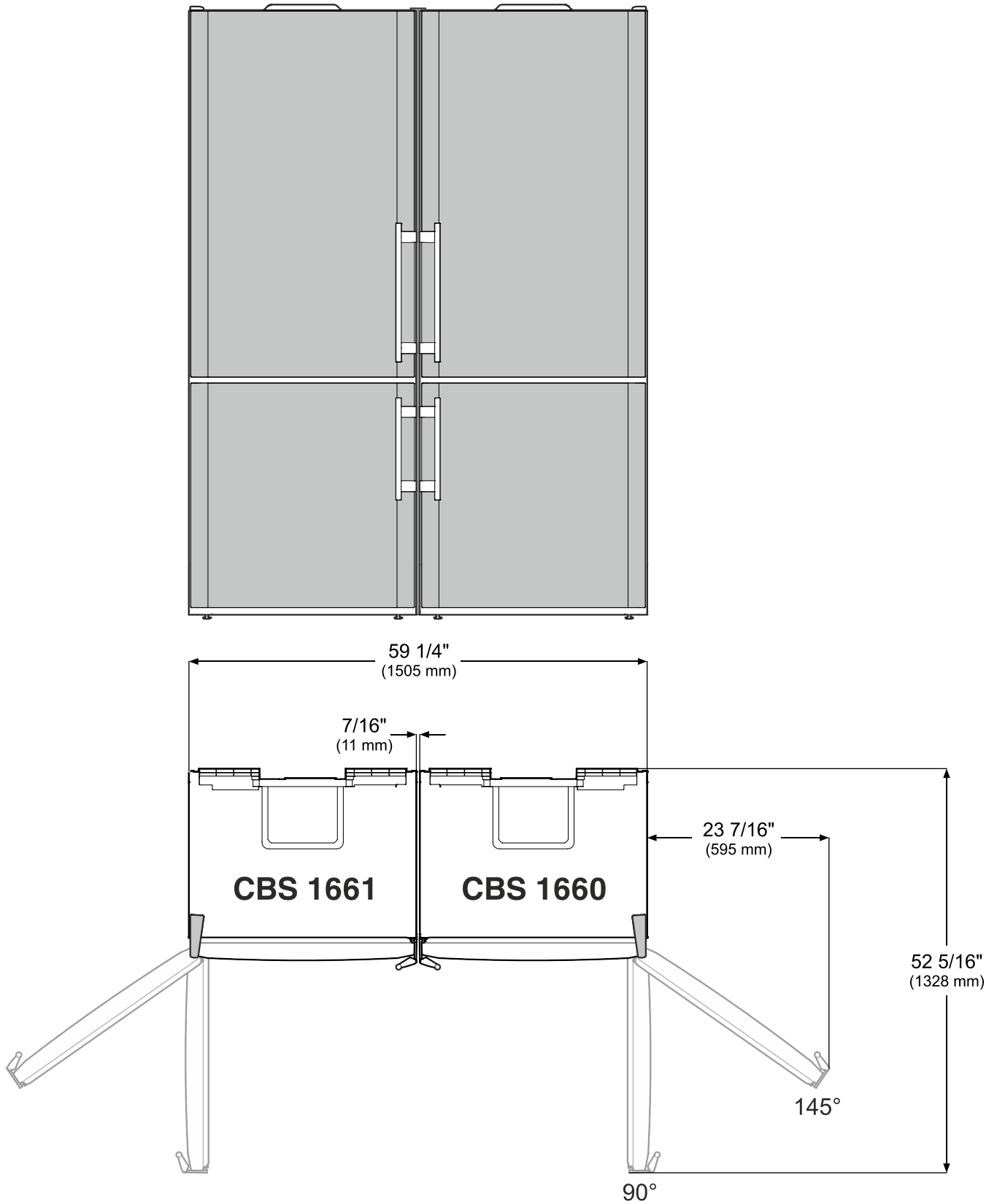


Height can be increased by 5/8" (16 mm) by turning the levelling feet at the front and the height adjustable roller units at the appliance rear.



Freestanding/Semi Built In Models

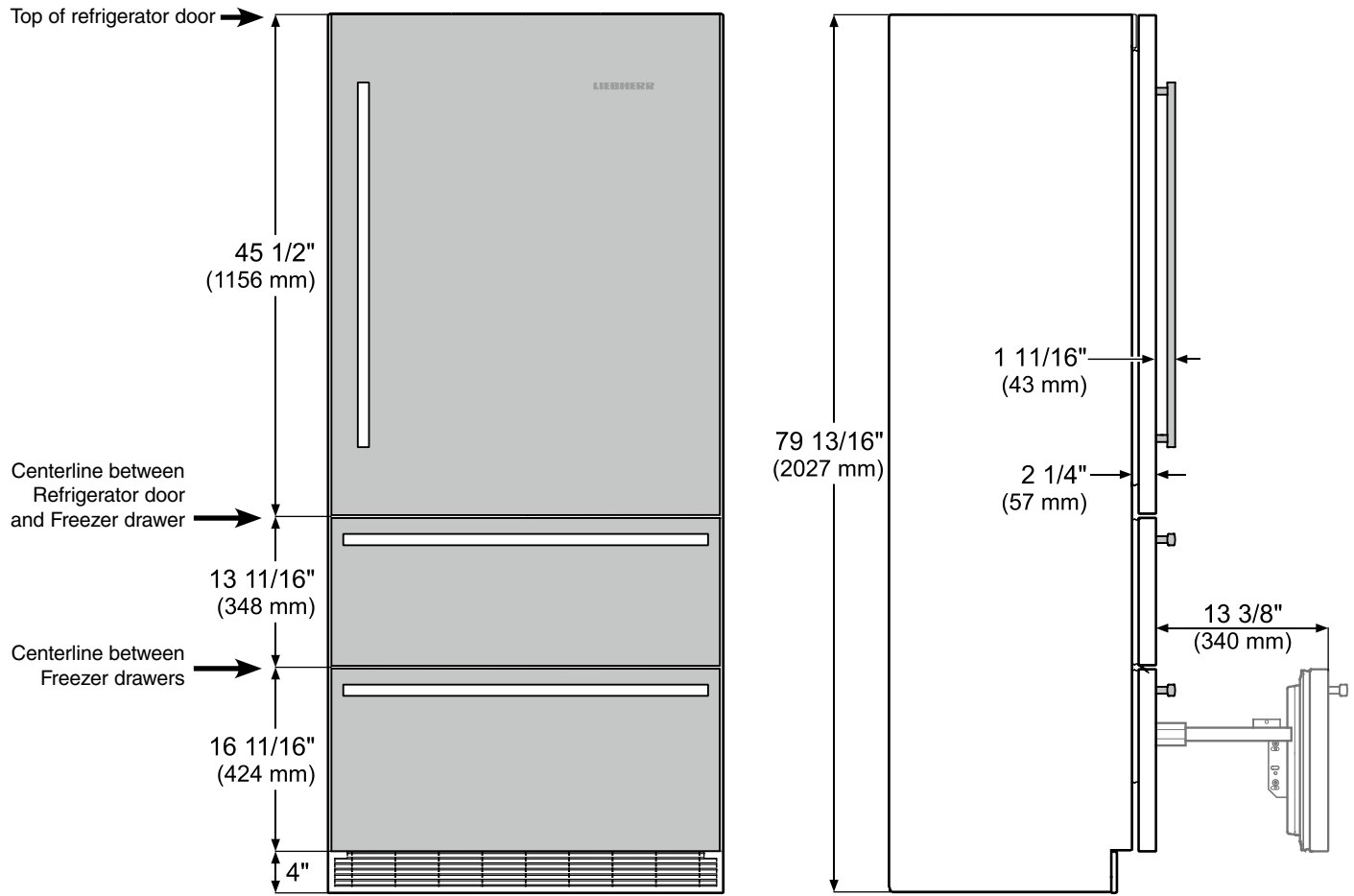
Unit Dimensions SBS 32S2



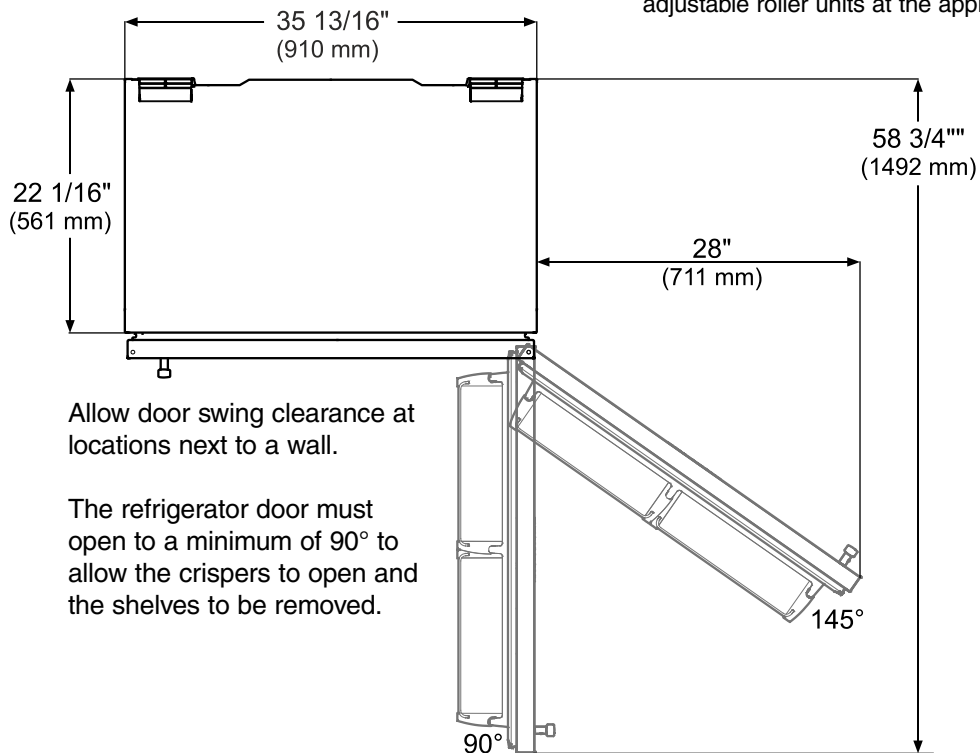
Detail measures for each appliance see
"Unit Dimensions CBS 1661 and CBS 1660"

Freestanding/Semi Built In Models

Unit Dimensions CS 2060, CS 2061



Height can be increased by 1-1/2" (40 mm) by turning the levelling feet at the front and the height adjustable roller units at the appliance rear.

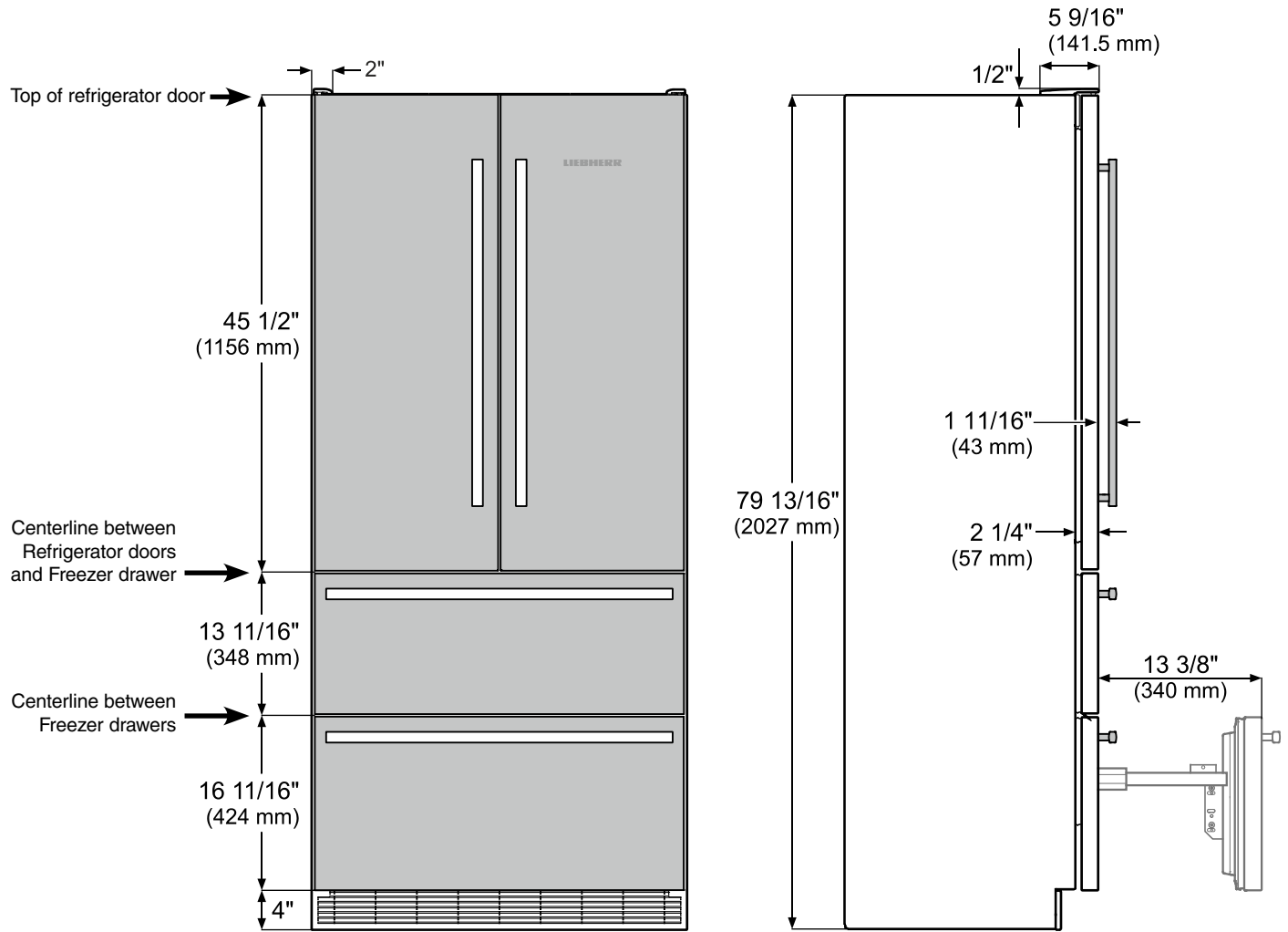


Allow door swing clearance at locations next to a wall.

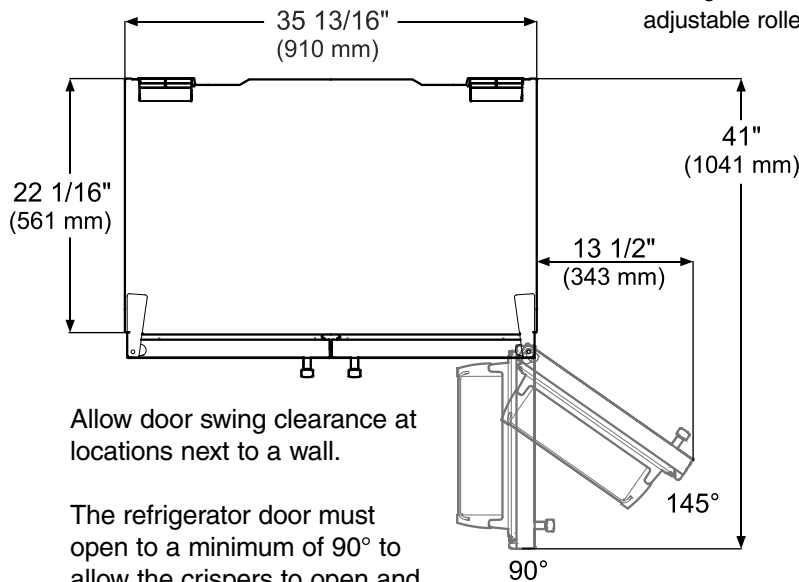
The refrigerator door must open to a minimum of 90° to allow the crispers to open and the shelves to be removed.

Freestanding/Semi Built In Models

Unit Dimensions CS 2062, CBS 2062



Height can be increased by 1-1/2" (40 mm) by turning the levelling feet at the front and the height adjustable roller units at the appliance rear.



Allow door swing clearance at locations next to a wall.

The refrigerator door must open to a minimum of 90° to allow the crispers to open and the shelves to be removed.

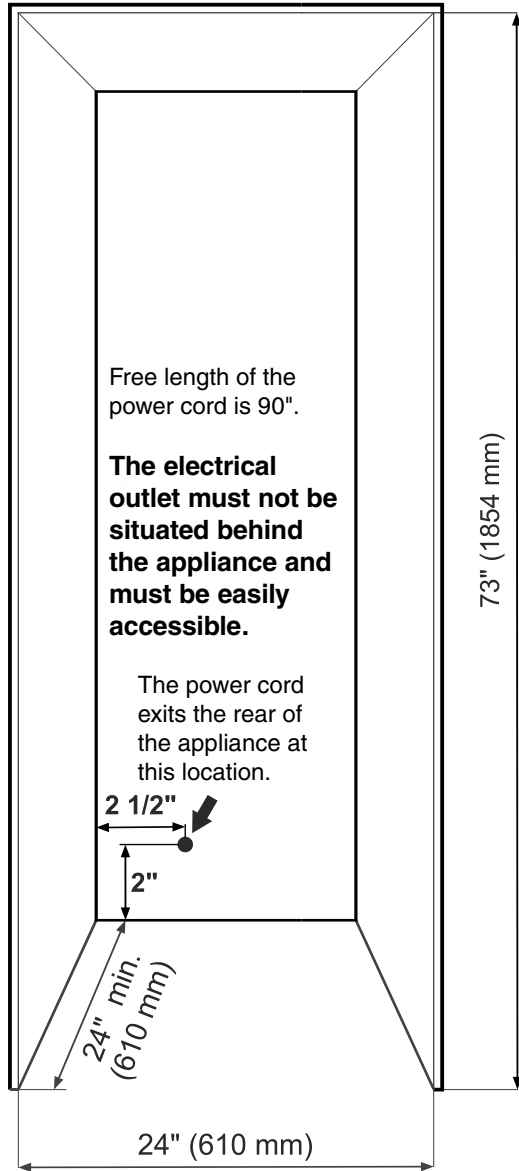
Freestanding/Semi Built In Models

Cabinet Opening Dimensions - 24" and 48" Models

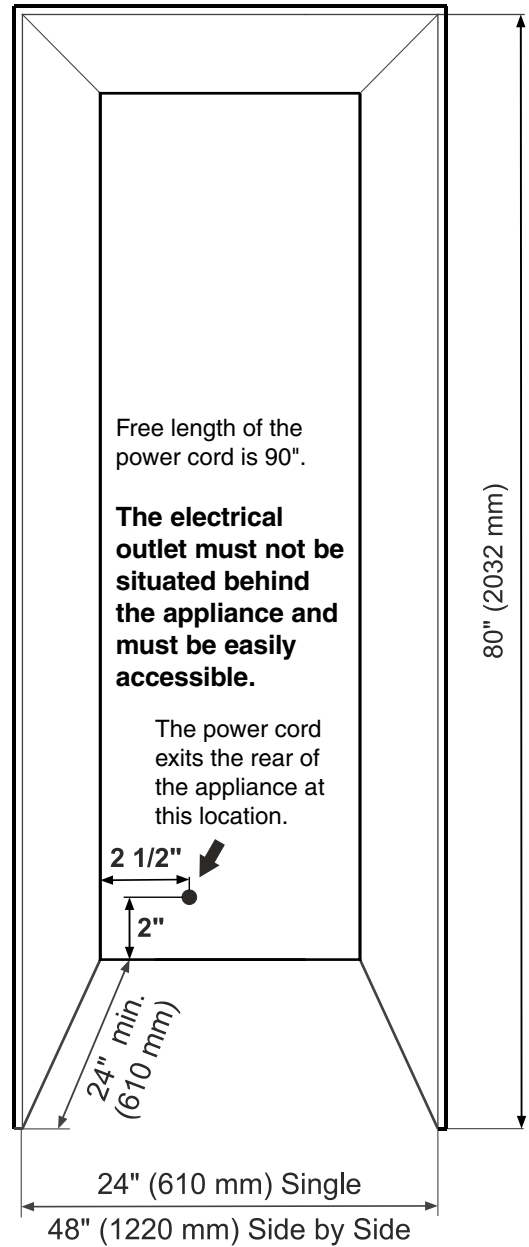
The appliance can be used freestanding or semi built-in.

If semi built-in, consider the cabinet opening dimensions specified below.

CS 1210



CS 1360B, CS 1321, CBS 1360



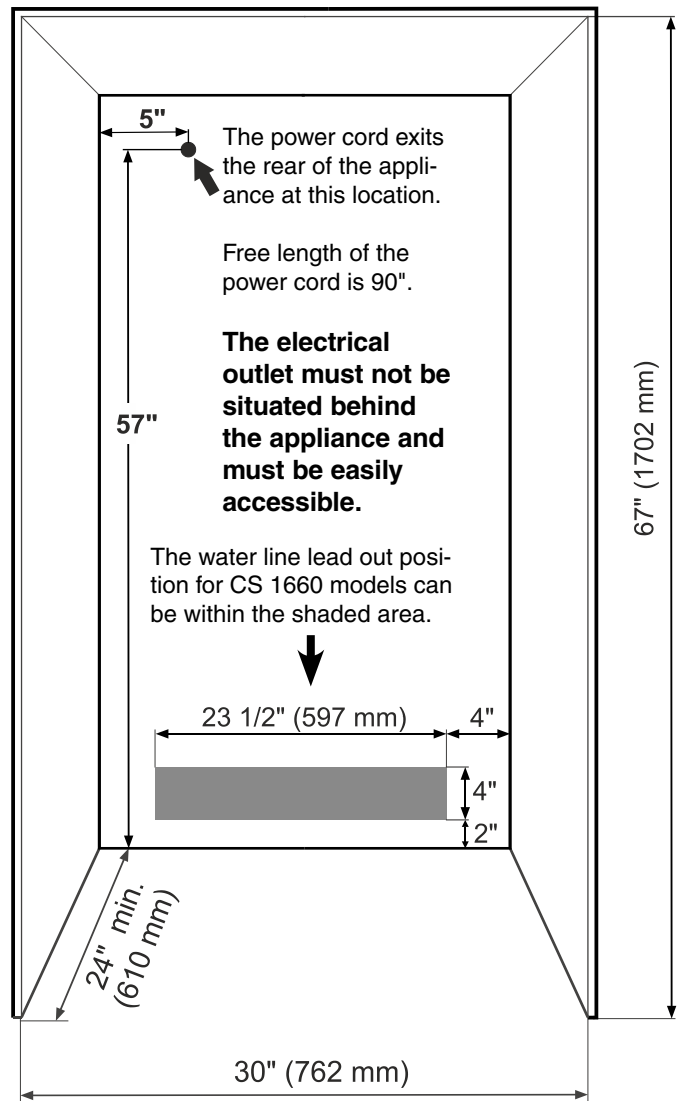
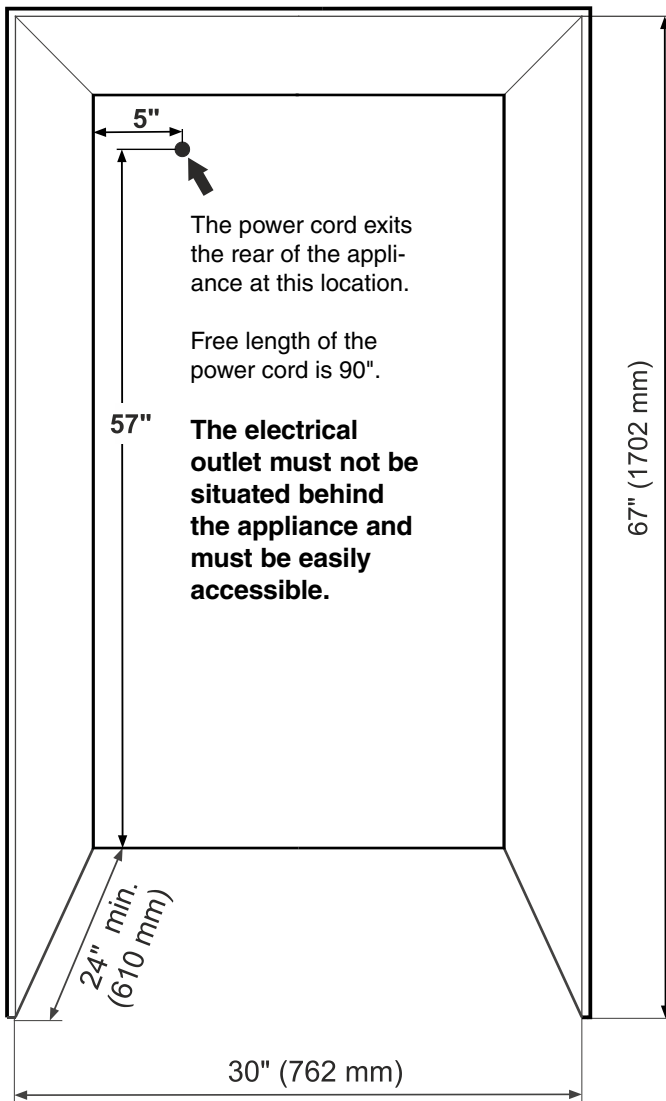
Freestanding/Semi Built In Models

Cabinet Opening Dimensions - 30" and 60" Models

The appliance can be used freestanding or semi built-in.
If semi built-in, consider the cabinet opening dimensions specified below.

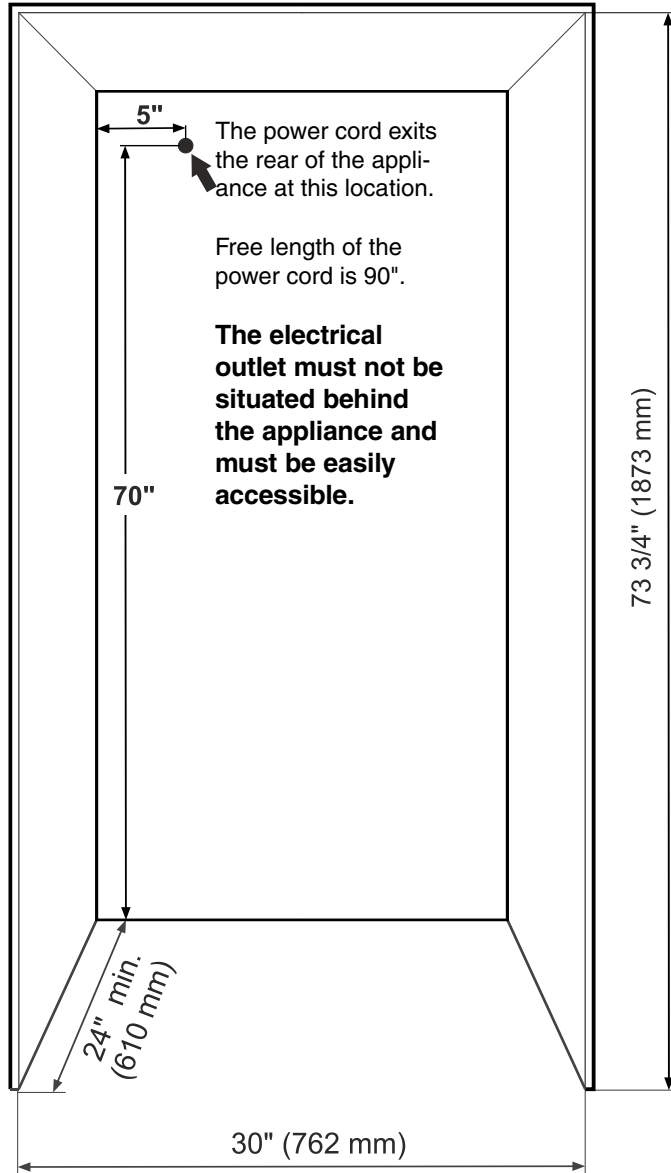
CS 1400R, CS 1400PC

CS 1400R-IM

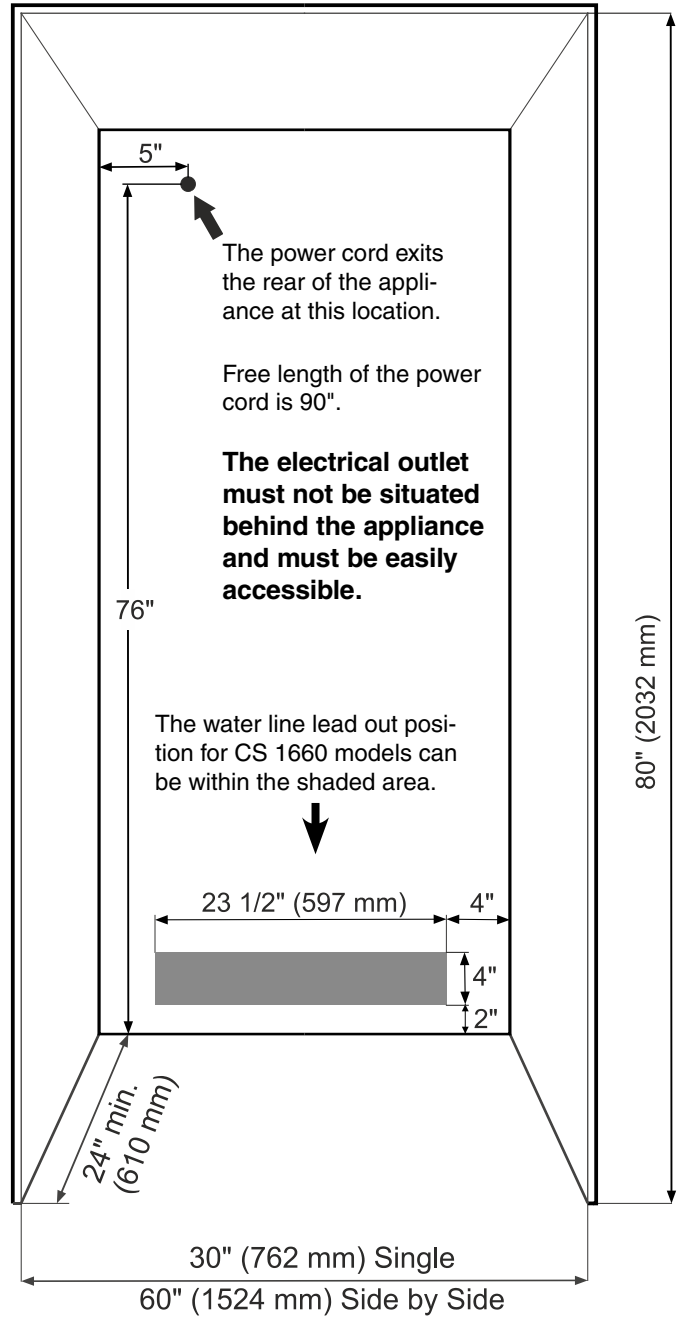


Freestanding/Semi Built In Models

CS 1410



CS 1640B, CBS 1660, CBS 1661



IMPORTANT

Do not install the shut-off valve for the water supply behind the appliance, to allow access to the shut off without having to pull out the appliance.

NOTE

If the gap between the rear of the appliance and the wall is less than 2 inch (51 mm), the power consumption level may increase.

Freestanding/Semi Built In Models

Cabinet Opening Dimensions - 36" Models

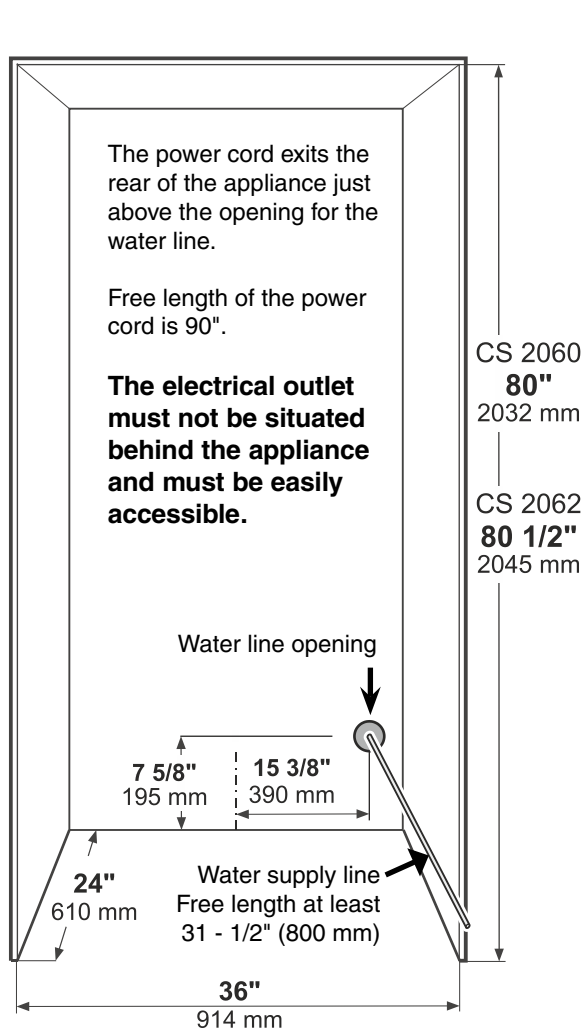
The appliance can be used freestanding or semi built-in.

If semi built-in, consider the cabinet opening dimensions specified below.

Minimum opening height for the **single** door 36" models (CS 2060 / CS 2061) is **80"**.

Minimum opening height for the **french** door 36" models (CS 2062 / CBS 2062) is **80-1/2"** to accommodate the top mounted hinges.

The requirements for water supply and electrical outlet are the same for both applications.

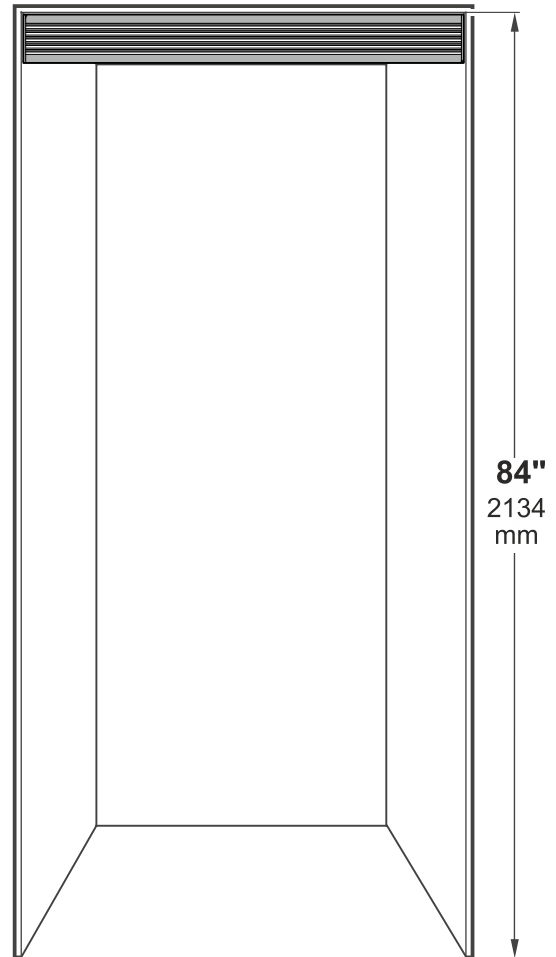


IMPORTANT

With 24" depth cabinets, the water line opening must be in the location as shown as there will not be room to route a water line behind the appliance for risk of pinching.

With cabinets deeper than 24" there is room to fit the pipe behind the appliance and the wall so there are no requirements for the water line lead out position.

Do not install the shut-off valve for the water supply behind the appliance, to allow access to the shut off without having to pull out the appliance!



The cabinet opening height is 84" when using the decorative grille. The decorative grille is available as accessory and is not required for proper operation of the appliance. All ventilation requirements are handled through the toe kick grille on the appliance and this decorative grille is intended to be used as a filler for pre-existing 84" openings.

NOTE

The decorative upper grille attaches to the cabinets / gables on either side of it and not to the appliance itself nor any cabinet above.

Freestanding/Semi Built In Models

Cabinet Opening Dimensions - 72" Models (Side by Side)

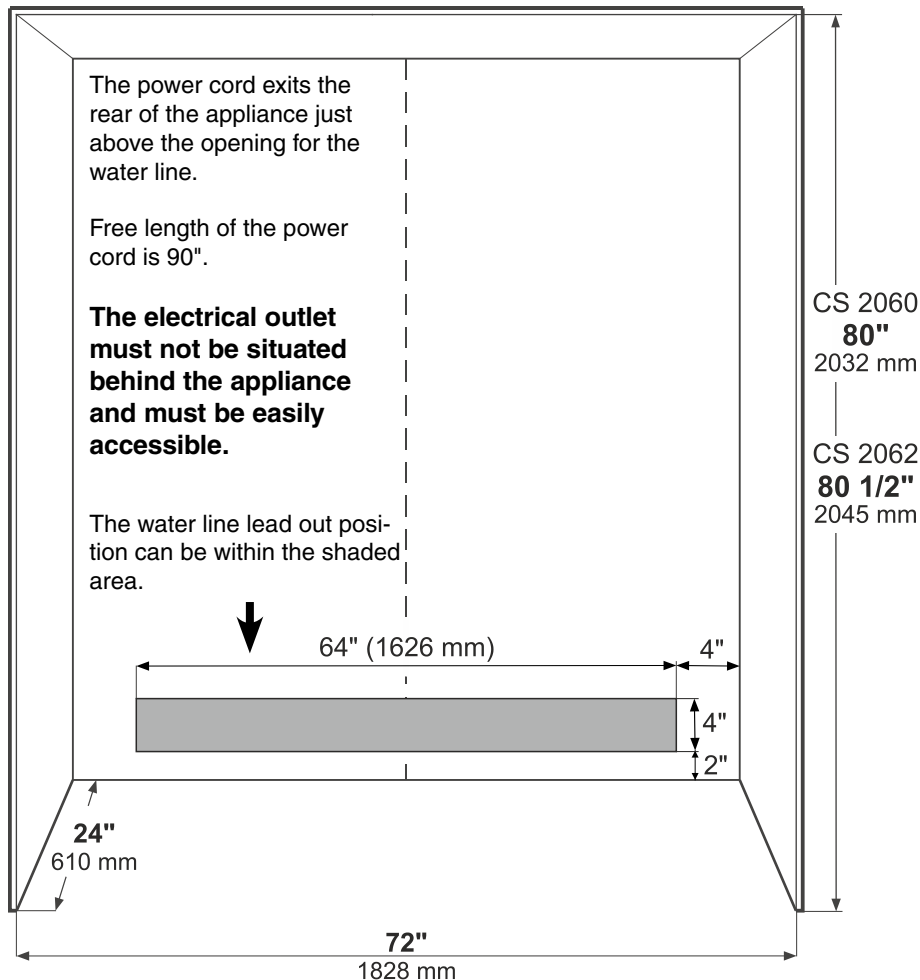
The appliance can be used freestanding or semi built-in.

If semi built-in, consider the cabinet opening dimensions specified below.

Minimum opening height for the **single** door 36" models (CS 2060 / CS 2061) is **80"**.

Minimum opening height for the **french** door 36" models (CS 2062 / CBS 2062) is **80-1/2"** to accommodate the top mounted hinges.

The requirements for water supply and electrical outlet are the same for both applications.



IMPORTANT

With 24" depth cabinets, the water line opening must be in the location as shown as there will not be room to route a water line behind the appliance for risk of pinching.

With cabinets deeper than 24" there is room to fit the pipe behind the appliance and the wall so there are no requirements for the water line lead out position.

Do not install the shut-off valve for the water supply behind the appliance, to allow access to the shut off without having to pull out the appliance!

Freestanding/Semi Built In Models

Ventilation Requirements 24", 30", 48" and 60" Models

Do not restrict the air flow. The opening can either be directly over the appliance ①, above the cabinet and below the ceiling ② or through a vent installed in a soffit ③.

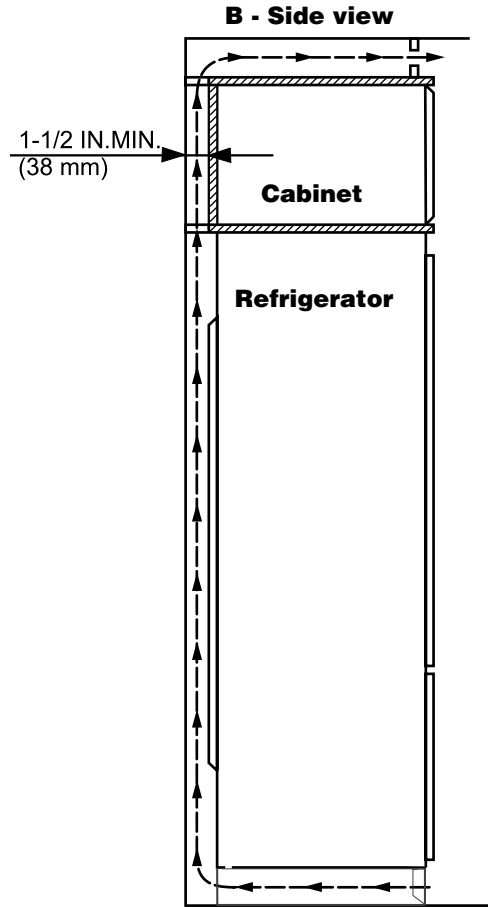
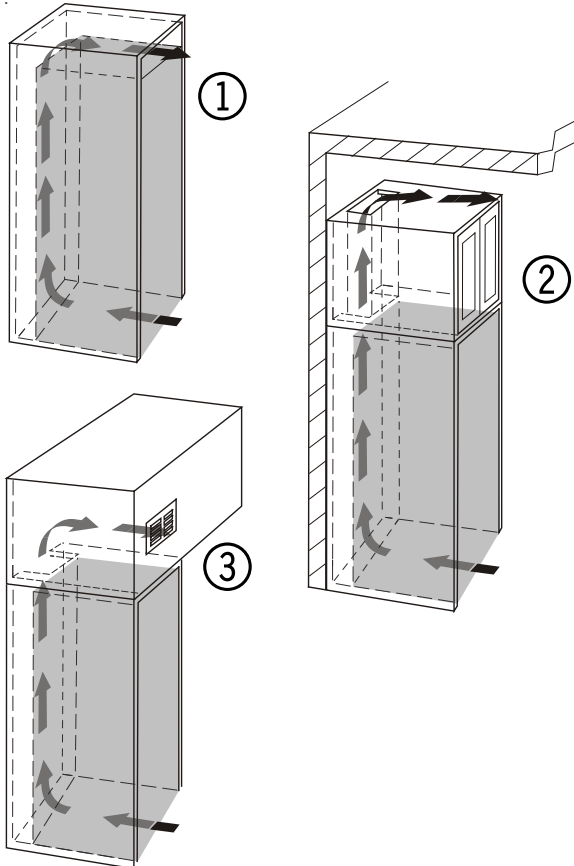
The cabinet height as specified at 80" (2032 mm) will create a 1-5/16" (33 mm) gap above the appliance providing optimal air flow over the top of the appliance for its efficient operation.

To have the same air flow for CS 1410 appliances, the cabinet opening height must be 73-3/4" minimum.

Be sure to consider the possibility of having to raise some of the leveling legs in order to level the appliance when installing. If you adjust the height of the appliance - it will effectively reduce air flow. Therefore leave yourself some room for adjustment.

IMPORTANT

The section between the freezer door and the floor must not be covered.



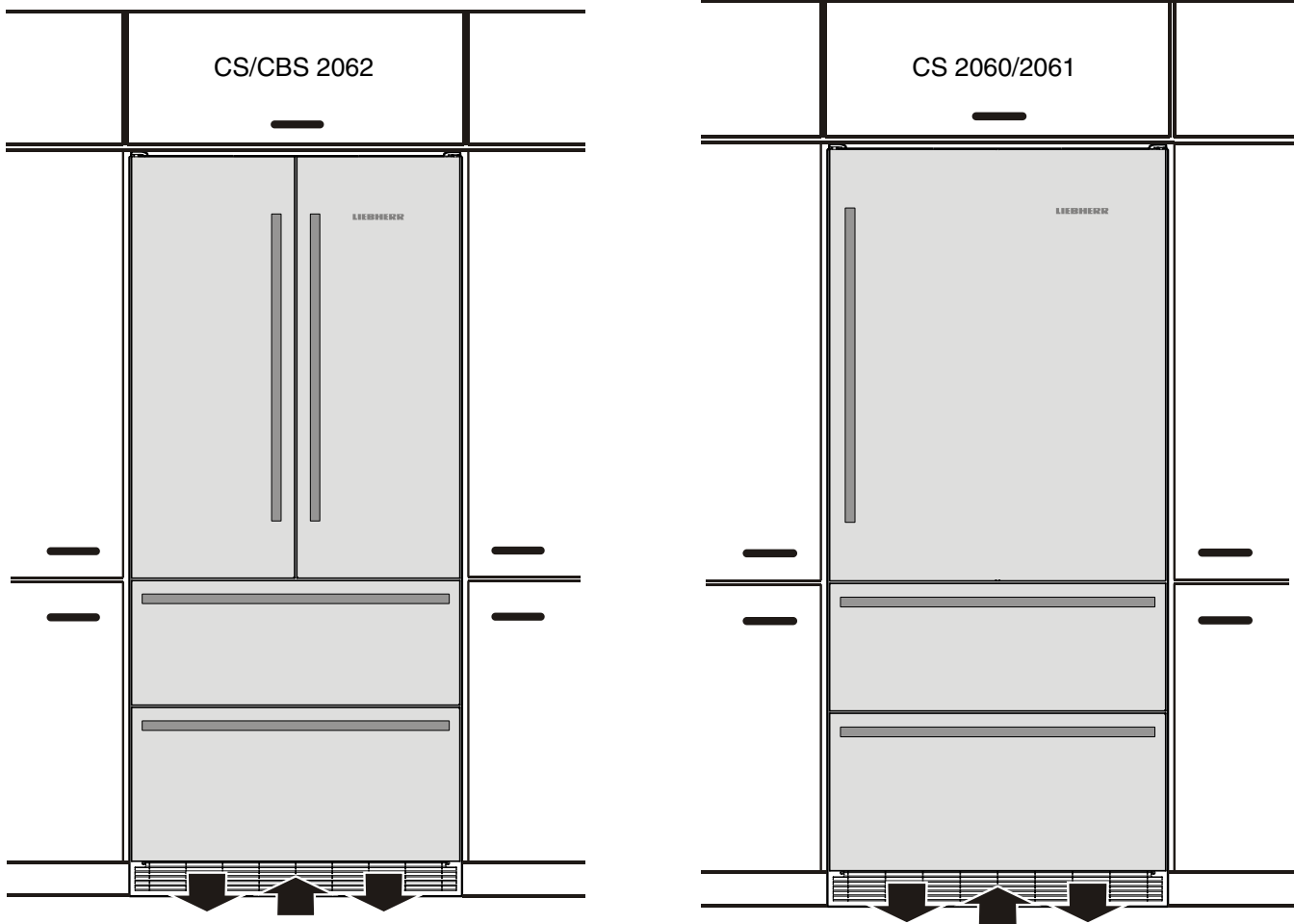
The refrigerator is designed to allow proper air flow when the appliance is installed up against the wall.

A minimum space of 1 1/2" is required behind the cabinet when venting above an upper cabinet which is installed flush to the top of the appliance.

Freestanding/Semi Built In Models

Ventilation Requirements 36" and 72" (Side by Side) Models

CS/CBS 20 appliances dont need any ventilation openings in the cabinet.
The required airflow is directed through the toe kick area.



The cover grill provided with the appliance must be used for the ventilation opening. This grill must not be covered by toe kick or other trim.

R600a Refrigerant

WARNING!

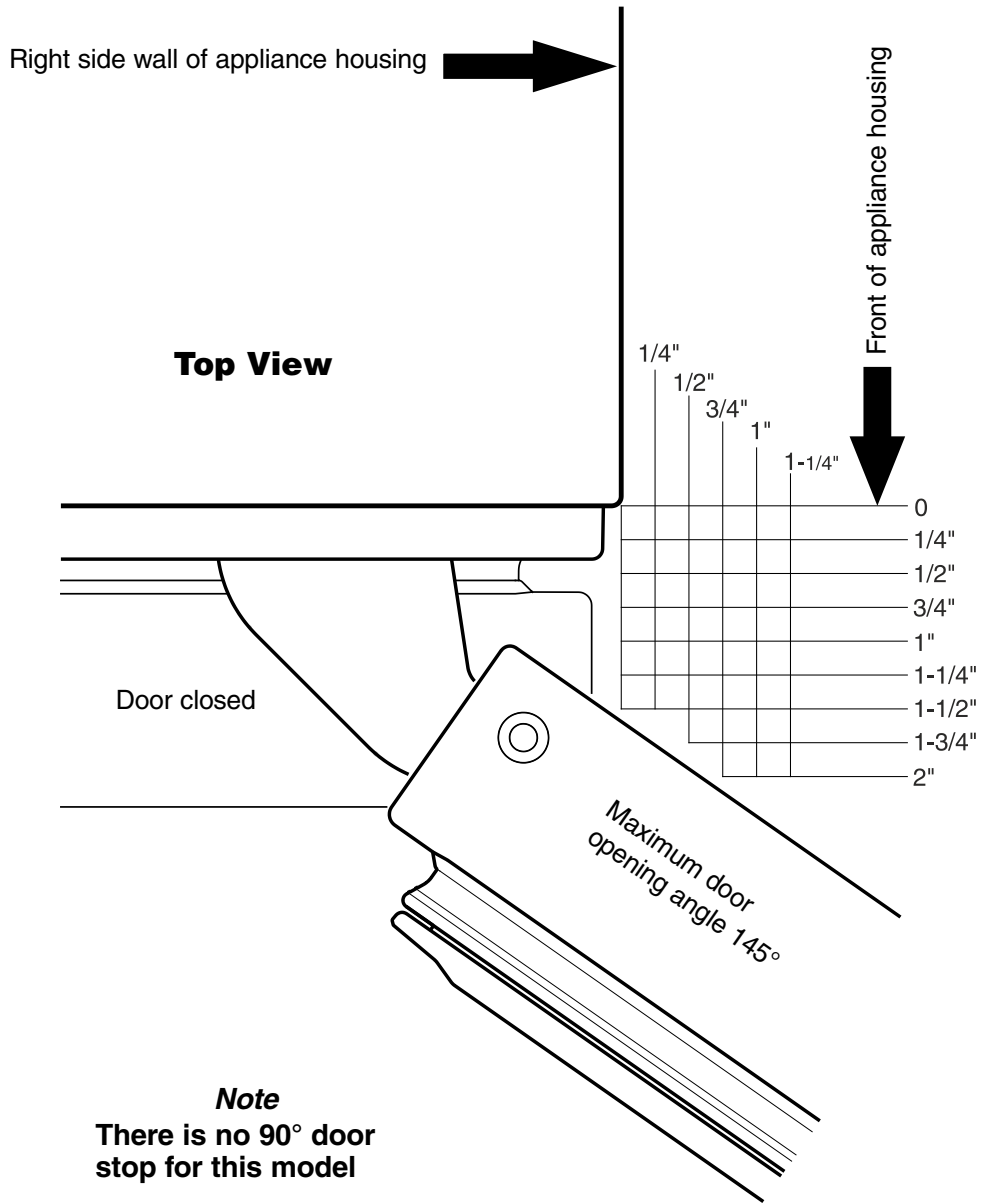
The refrigerant R600a contained within the appliances is environmentally friendly, but flammable. Leaking refrigerant can ignite.

To prevent possible ignition, designed ventilation is required.

Freestanding/Semi Built In Models

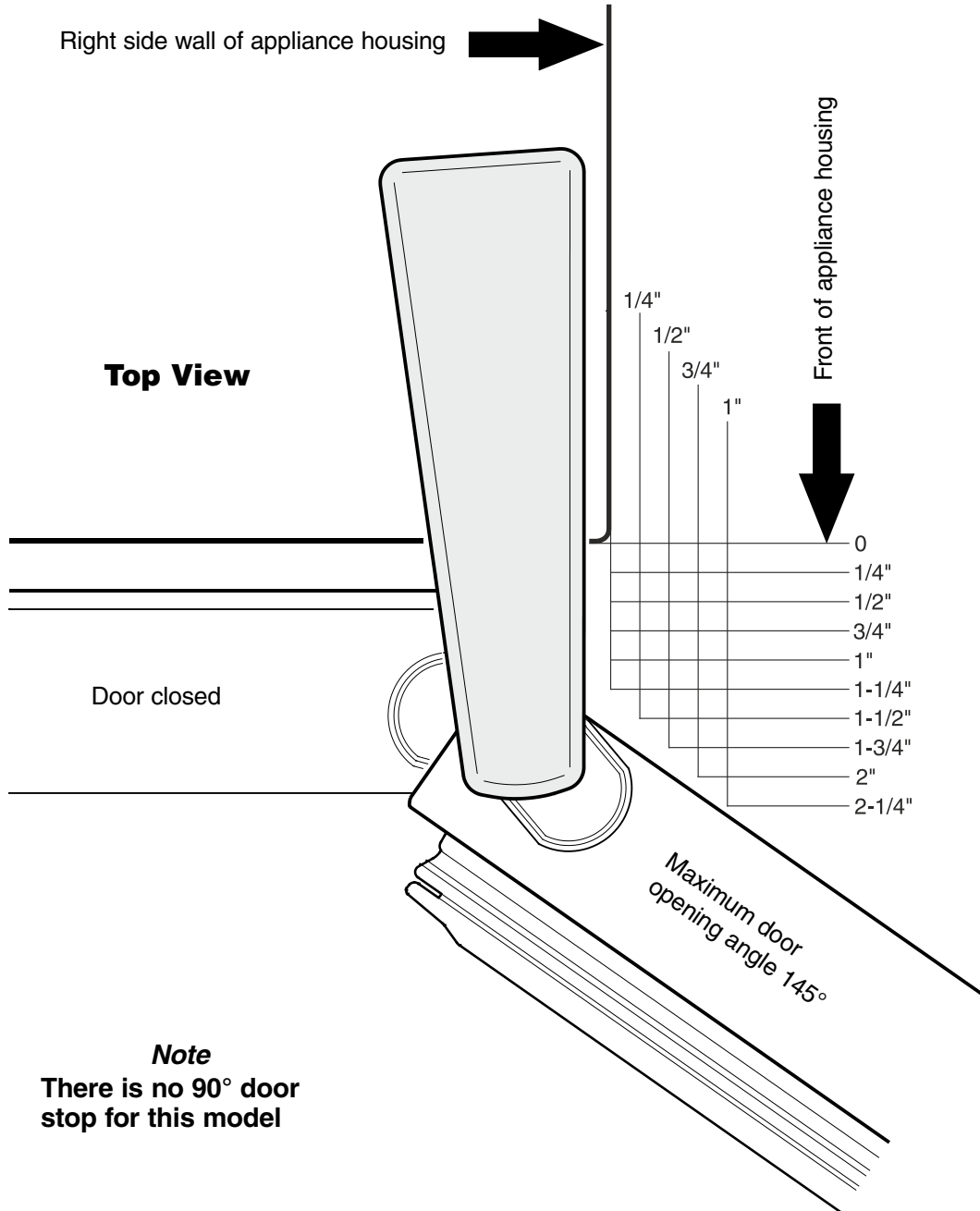
Door Swing Clearance

Door Swing Clearance CS 2060, CS 2061



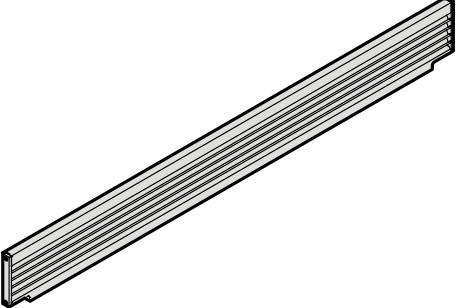
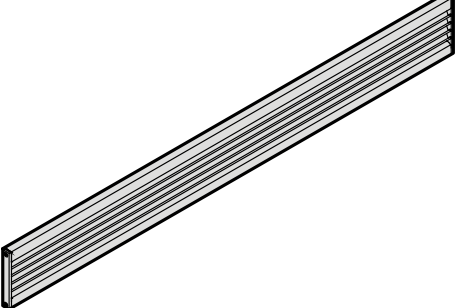
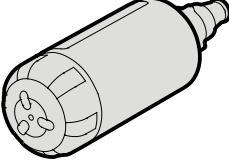
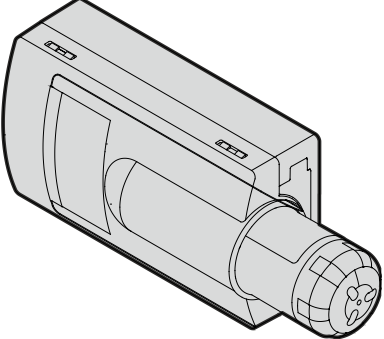
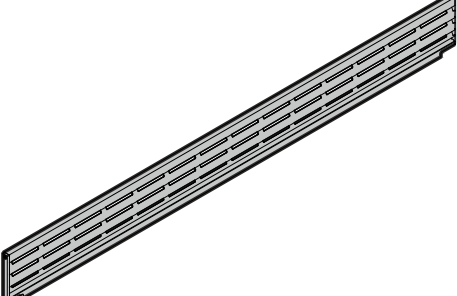
Freestanding/Semi Built In Models

Door Swing Clearance CS 2062, CBS 2062



Freestanding/Semi Built In Models

Accessories

Image	Article number	Name of the item	For use with model
	9900 199-00	Decorative grille 84" recess height.	CS 2062 CBS 2062
	9900 277-00	Decorative grille 84" recess height.	CS 2060 CS 2061
	7440 002-00	Water filter	CS 2062 CBS 2062 CS 2060 CS 2061 CS 1660
	9096-034-00	Water filter add-on kit with ice maker	CBS 1360 CS 1360B CS 1400R-IM CBS 1660 CBS 1661 SBS 32S2 SBS 26S2
	9900-368-00	Top Vent grill 48"	SBS 26S2

Freestanding/Semi Built In Models

Image	Article number	Name of the item	For use with model
	9901-555-00	SBS-Kit	SBS 26S2
	9900-22100	SBS-Kit	CS 2062 CS 2062

