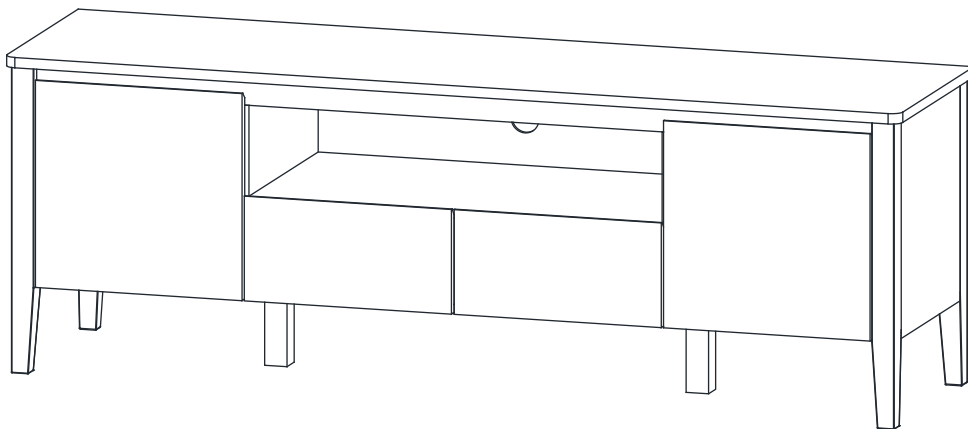


**ASSEMBLY INSTRUCTIONS**  
**COASTER FINE FURNITURE**



*Fine Furniture for every stage of life*

**706452**  
**TV Stand**

ITEM: **706452**



## ASSEMBLY INSTRUCTIONS

### ASSEMBLY TIPS:

1. Remove hardware from box and sort by size.
2. Please check to see that all hardware and parts are present prior to start of assembly.
3. Please follow attached instructions in the same sequence as numbered to assure fast & easy assembly.



### WARNING!

1. Don't attempt to repair or modify parts that are broken or defective. Please contact the store immediately.
2. This product is for home use only and not intended for commercial establishments.



ASSEMBLY TIME

20 MINUTES

MAX TV SIZE : 70"

## PARTS IDENTIFICATION

A	TOP		1PC
B	LEFT LEG PANEL		1PC
C	RIGHT LEG PANEL		1PC
D	LEFT CENTER PANEL		1PC
E	RIGHT CENTER PANEL		1PC
F	CENTER SHELF PANEL		1PC
G	LOWER CENTER PANEL		1PC
H	TOP SUPPORT RAIL		2PCS
I	BOTTOM PANEL		1PC
J	BACK PANEL		1PC
K	LEFT DOOR		1PC
L	RIGHT DOOR		1PC
M	CENTER LEG SUPPORT WITH LEVELER		2PCS

ITEM: **706452**



## ASSEMBLY INSTRUCTIONS

### ASSEMBLY TIPS:





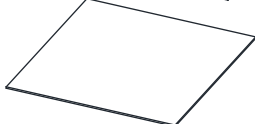
1. Remove hardware from box and sort by size.
2. Please check to see that all hardware and parts are present prior to start of assembly.
3. Please follow attached instructions in the same sequence as numbered to assure fast & easy assembly.










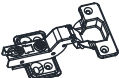
### WARNING!

1. Don't attempt to repair or modify parts that are broken or defective. Please contact the store immediately.
2. This product is for home use only and not intended for commercial establishments.

## PARTS IDENTIFICATION

N	DRAWER FRONT PANEL		2PCS
O	DRAWER LEFT PANEL		2PCS
P	DRAWER RIGHT PANEL		2PCS
Q	DRAWER BACK PANEL		2PCS
R	DRAWER BOTTOM PANEL		2PCS

## HARDWARE IDENTIFICATION

1	CAM NUT (SR)		20PCS
2	CAM BOLT (SR)		20PCS
3	SMALL WOOD DOWEL (M6 X 30MM)		16PCS
4	BIG WOOD DOWEL (M8 X 30MM)		8PCS
5	LONG FLAT HEAD SCREW (M4 X 30MM - RBW)		28PCS
6	SHORT FLAT HEAD SCREW (M6 X 16MM - RBW)		24PCS
7	PAN HEAD SCREW (M4 X 16MM - RBW)		26PCS
8	HINGE (7/8" - RBW)		4PCS

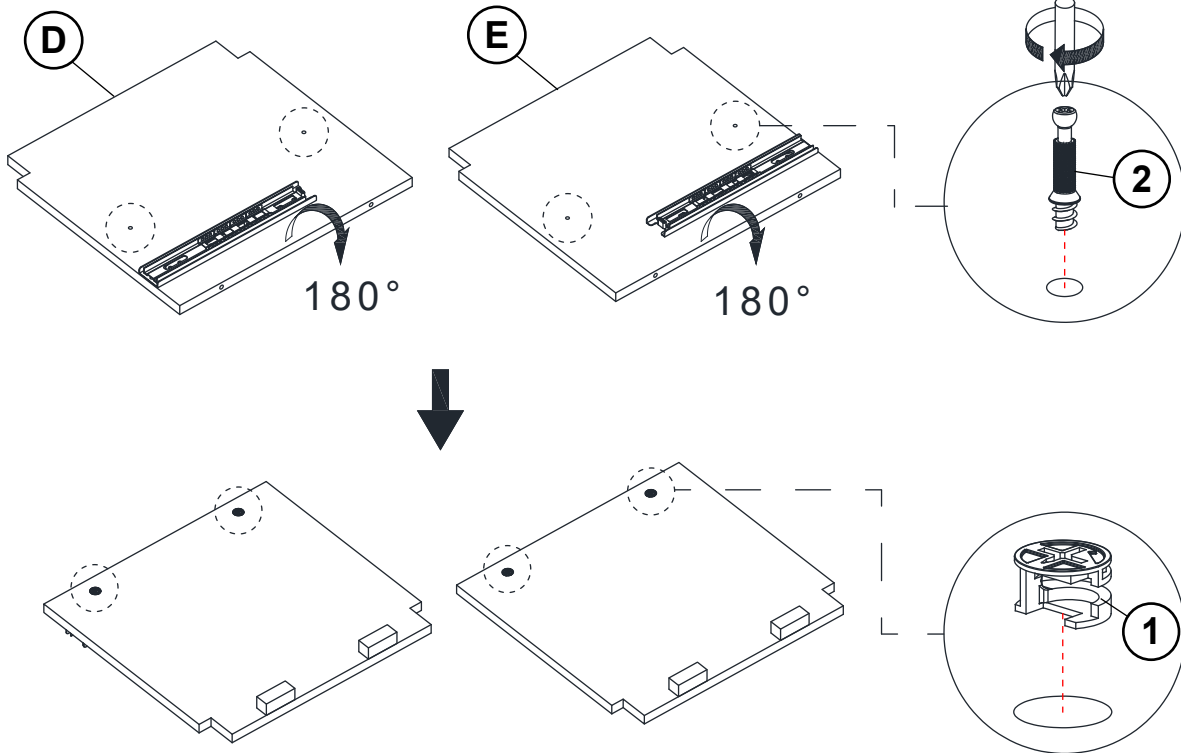
### NOTE :

Phillips head screw driver is required in the assembly process; however, manufacturer does not provide this item.

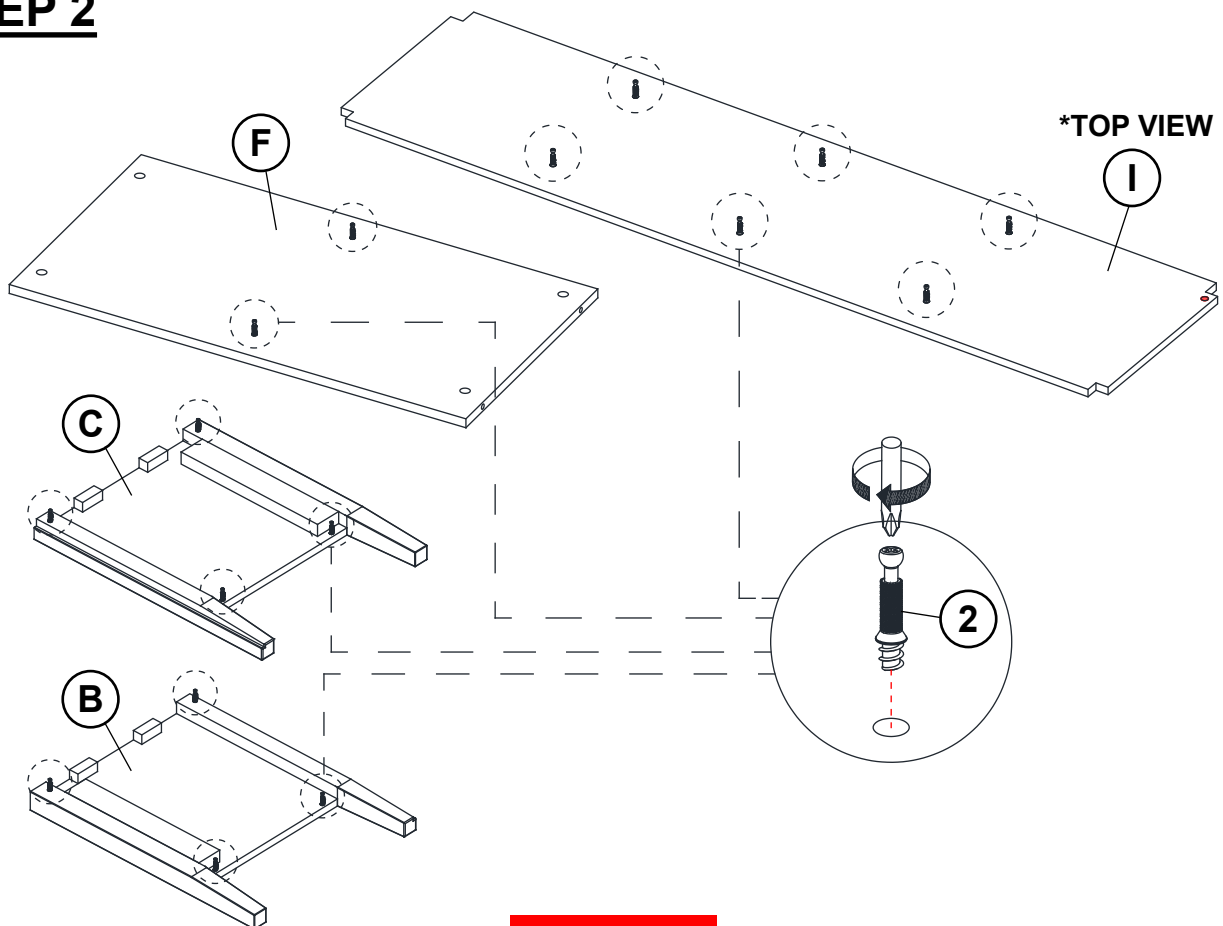
ITEM: **706452**

**ASSEMBLY INSTRUCTIONS**

**STEP 1**



**STEP 2**

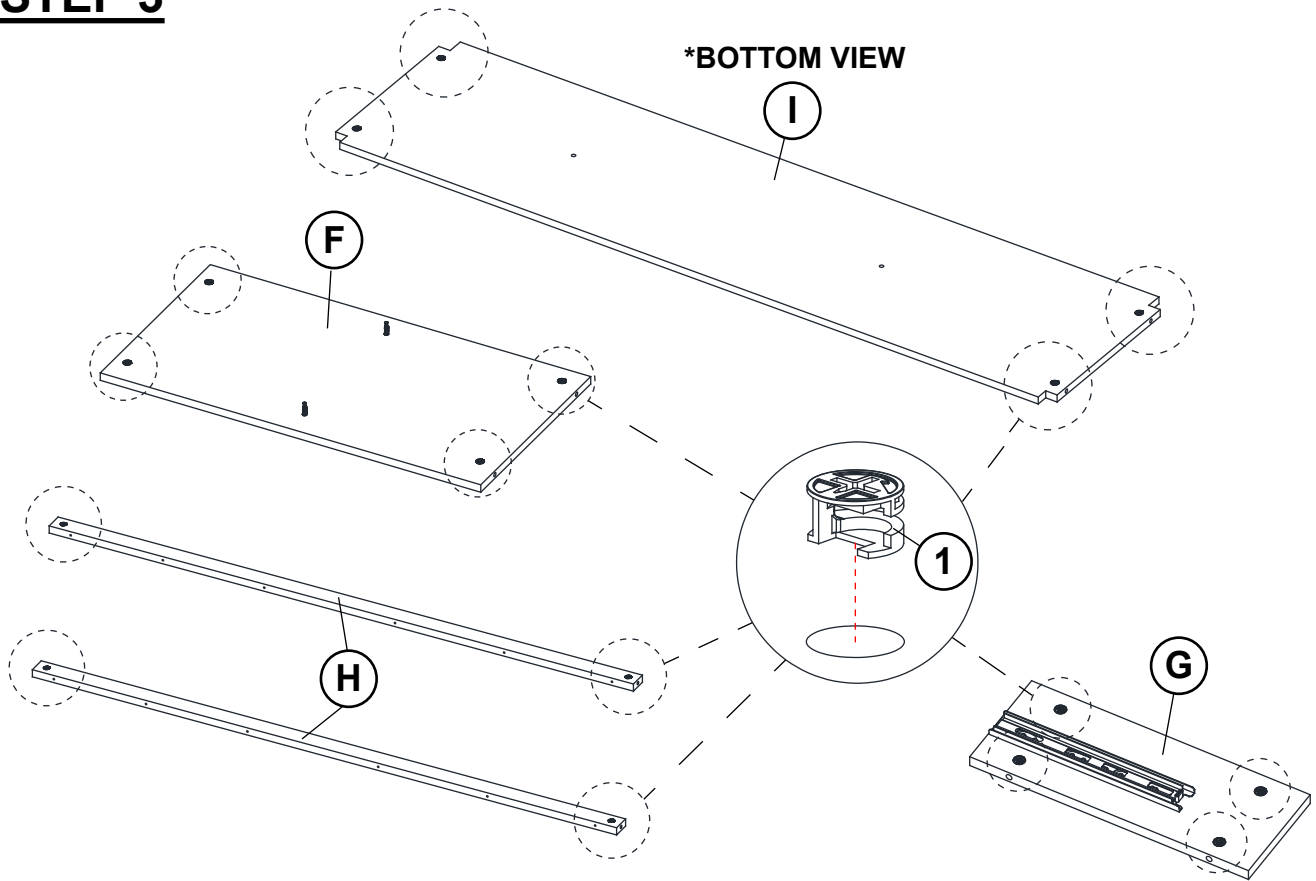


ITEM: **706452**

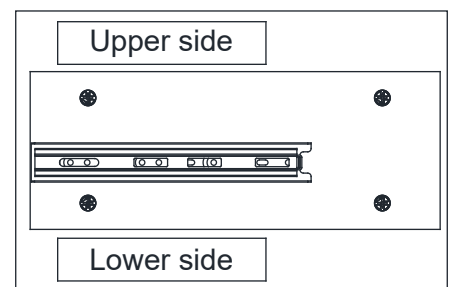
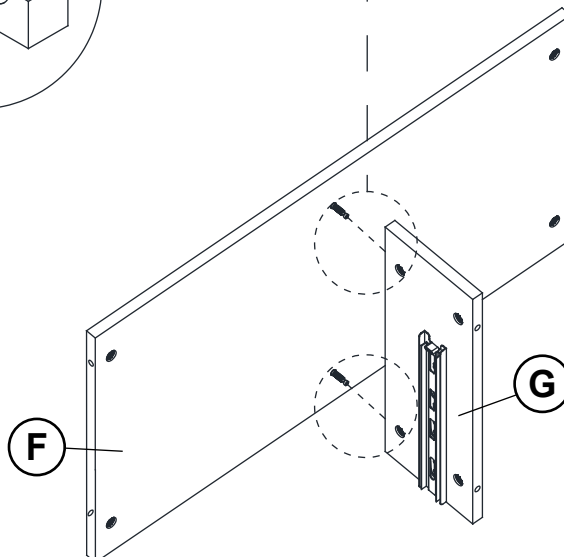
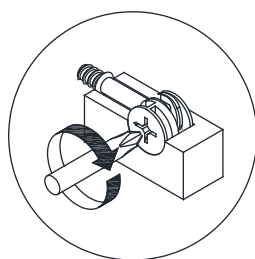
**ASSEMBLY INSTRUCTIONS**



**STEP 3**



**STEP 4**

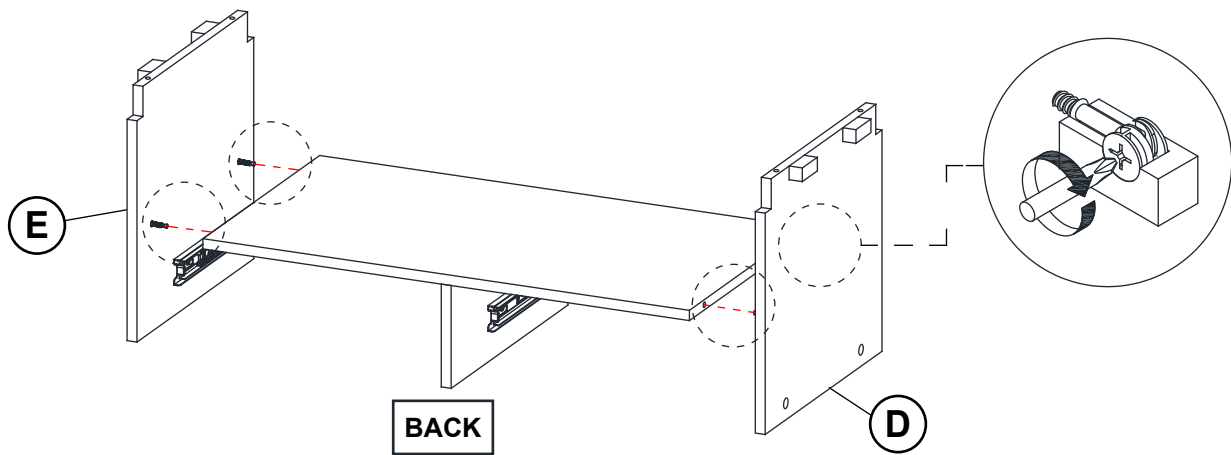


**\*BOTTOM VIEW**

ITEM: **706452**

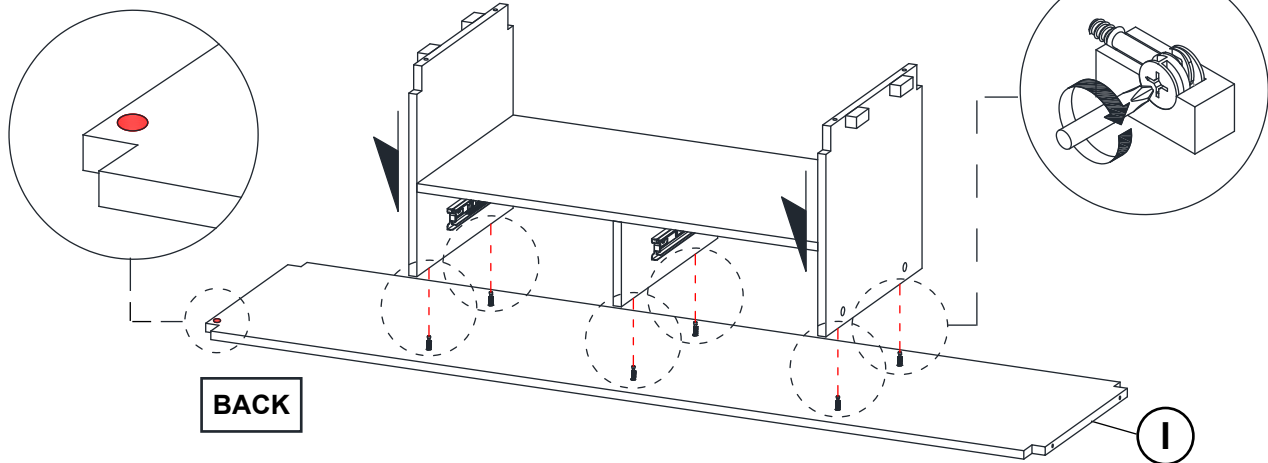
**ASSEMBLY INSTRUCTIONS**

**STEP 5**

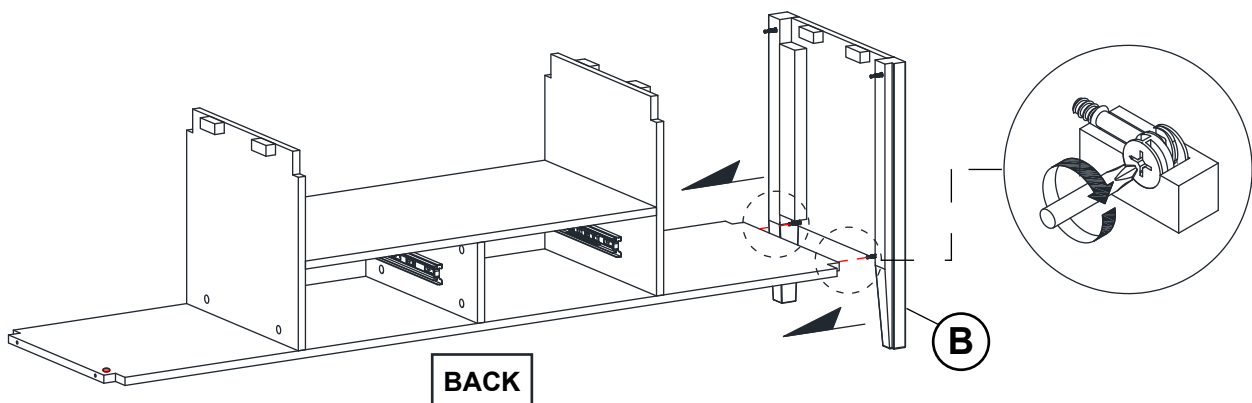


**STEP 6**

Sticker at back side



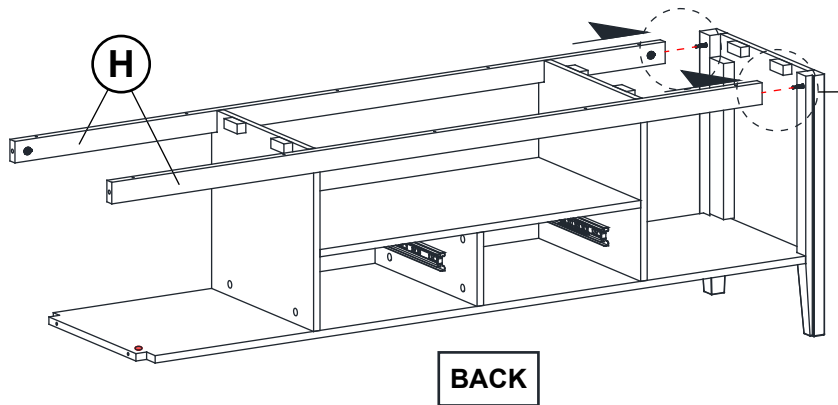
**STEP 7**



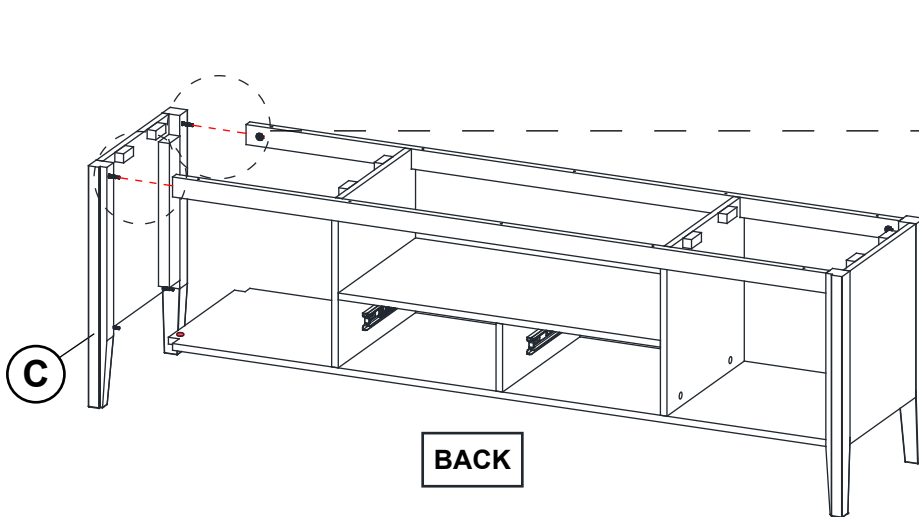
ITEM: **706452**

**ASSEMBLY INSTRUCTIONS**

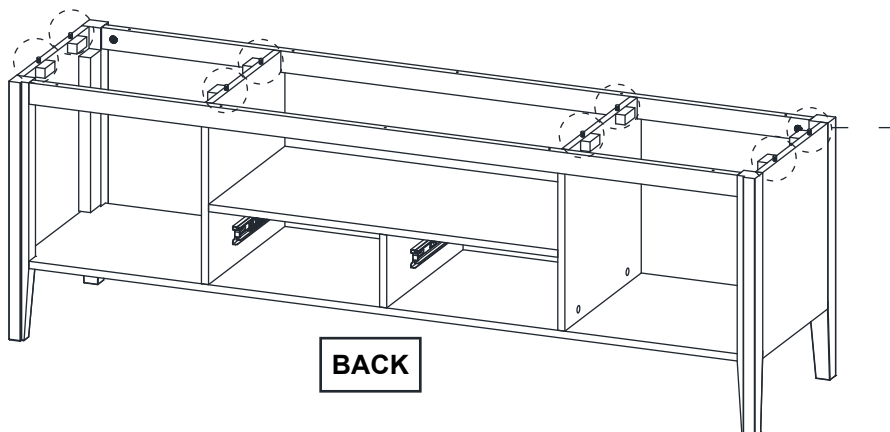
**STEP 8**



**STEP 9**



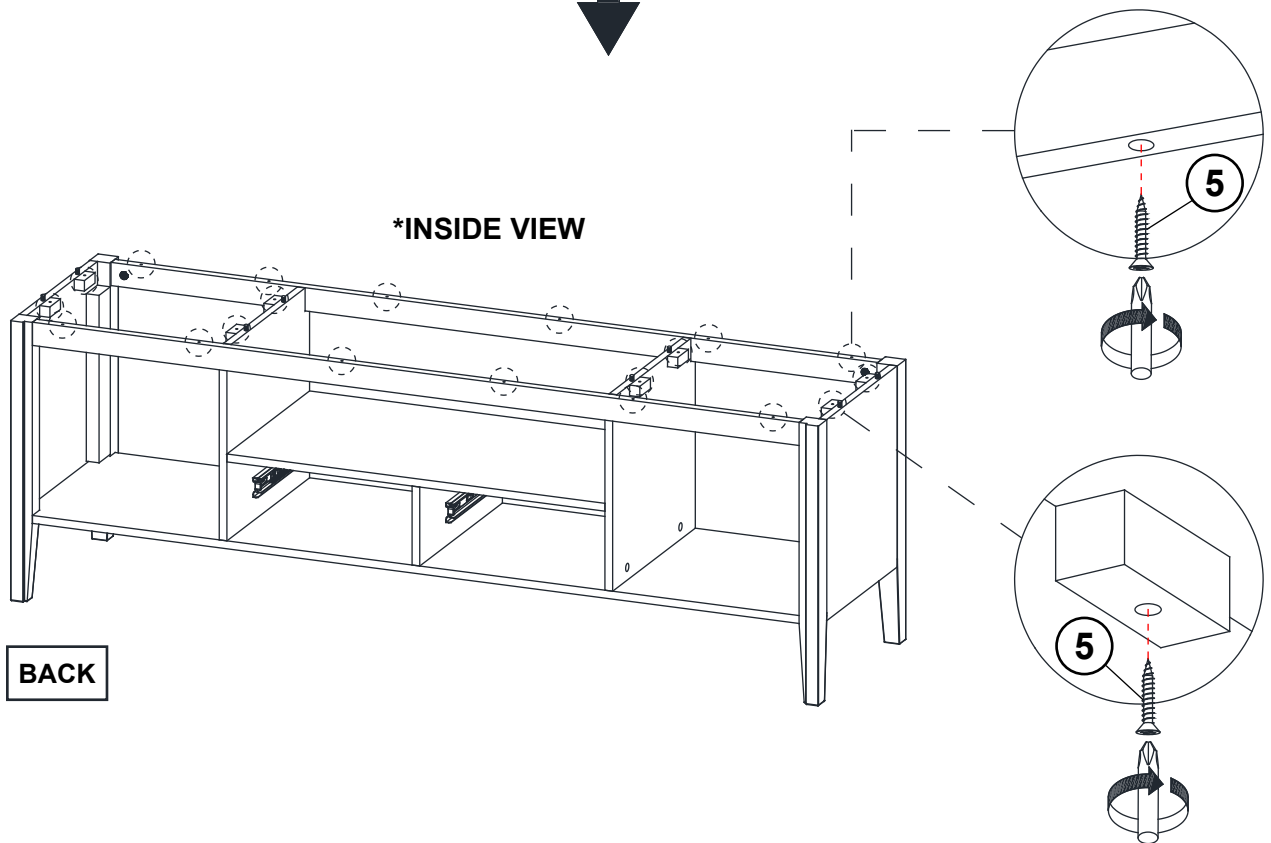
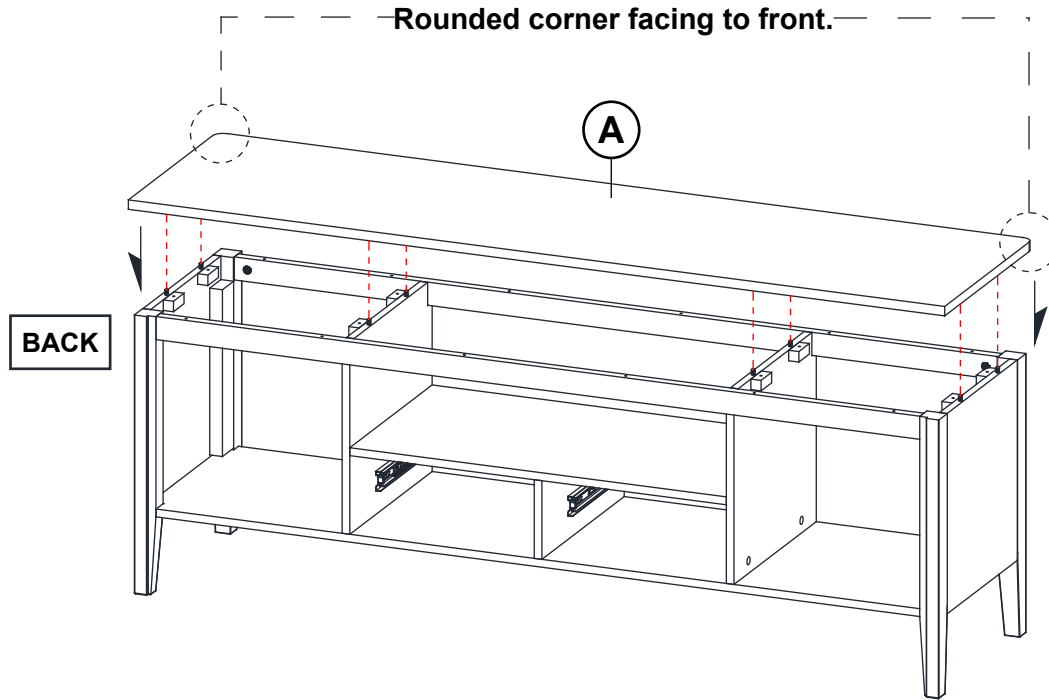
**STEP 10**



ITEM: **706452**

**ASSEMBLY INSTRUCTIONS**

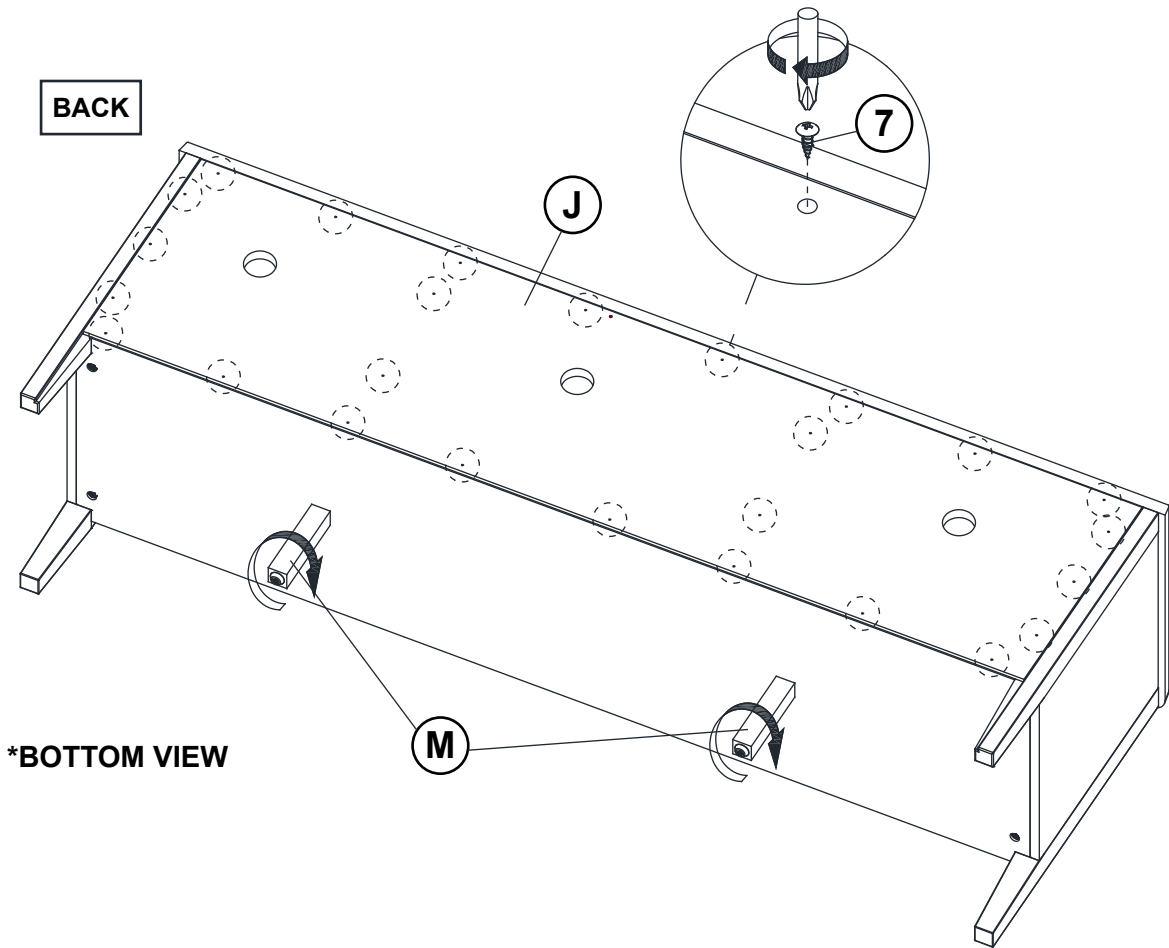
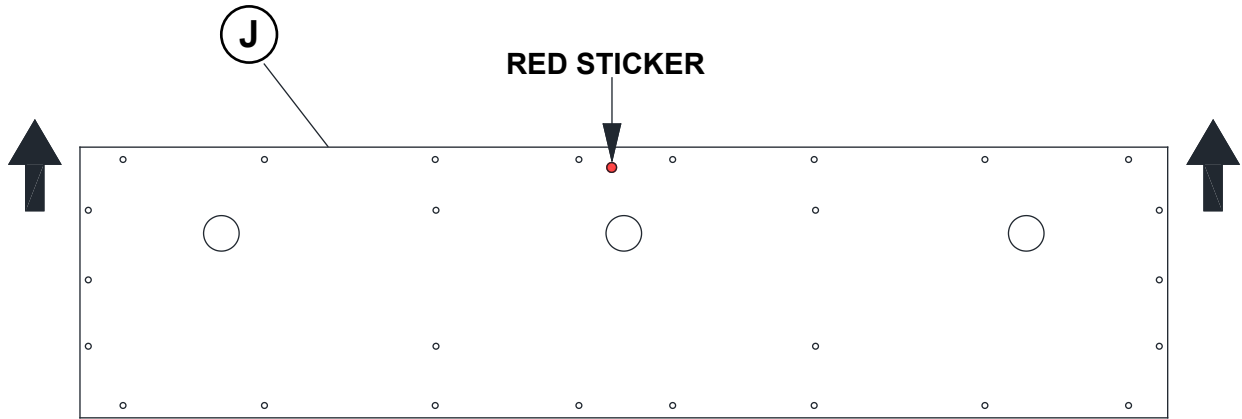
**STEP 11**



ITEM: **706452**

**ASSEMBLY INSTRUCTIONS**

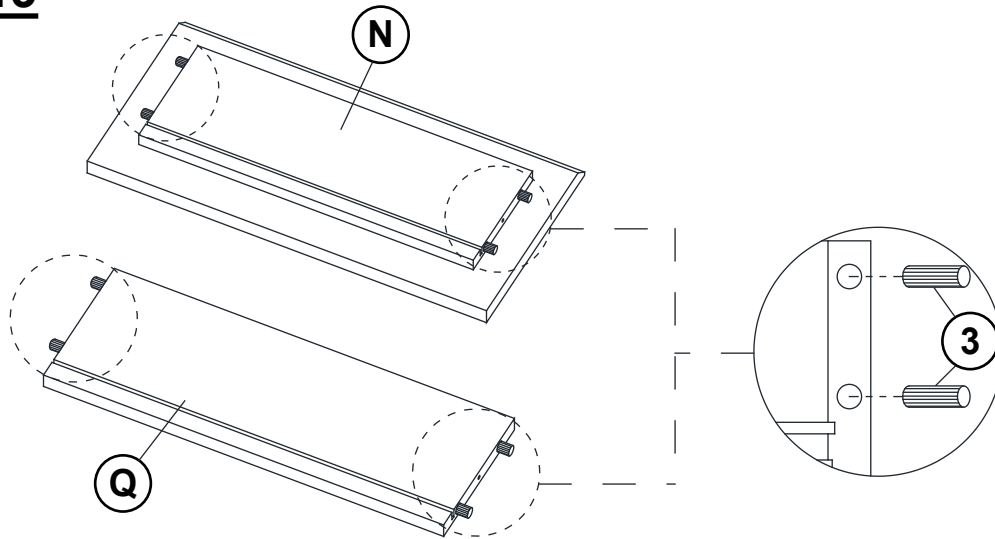
**STEP 12**



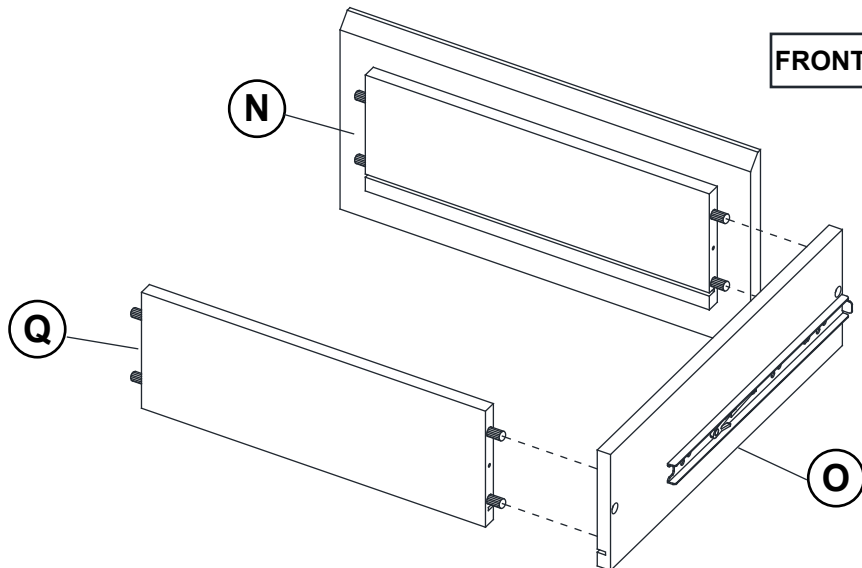
ITEM: **706452**

**ASSEMBLY INSTRUCTIONS**

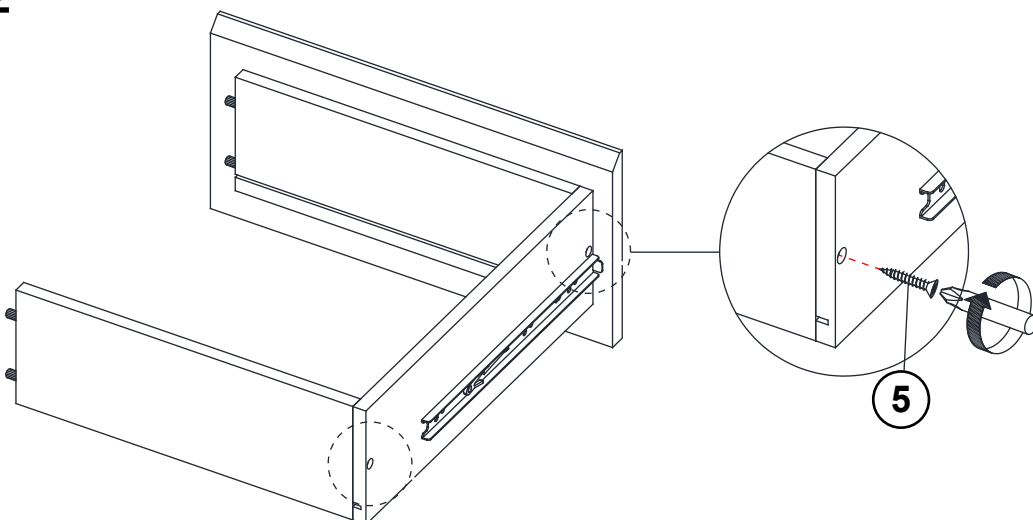
**STEP 13**



**STEP 14**



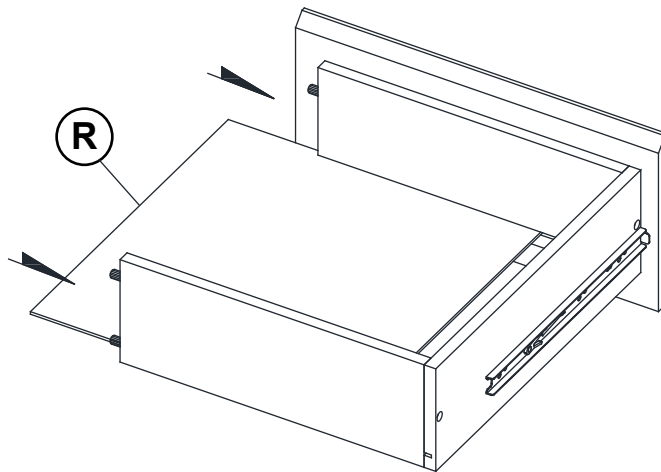
**STEP 15**



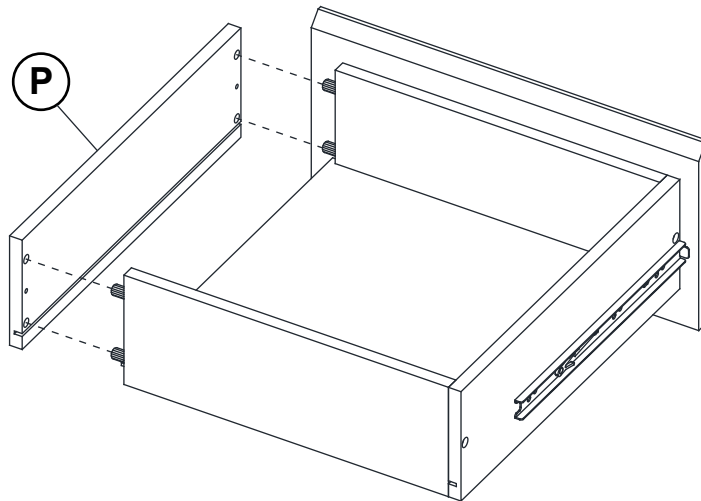
ITEM: **706452**

**ASSEMBLY INSTRUCTIONS**

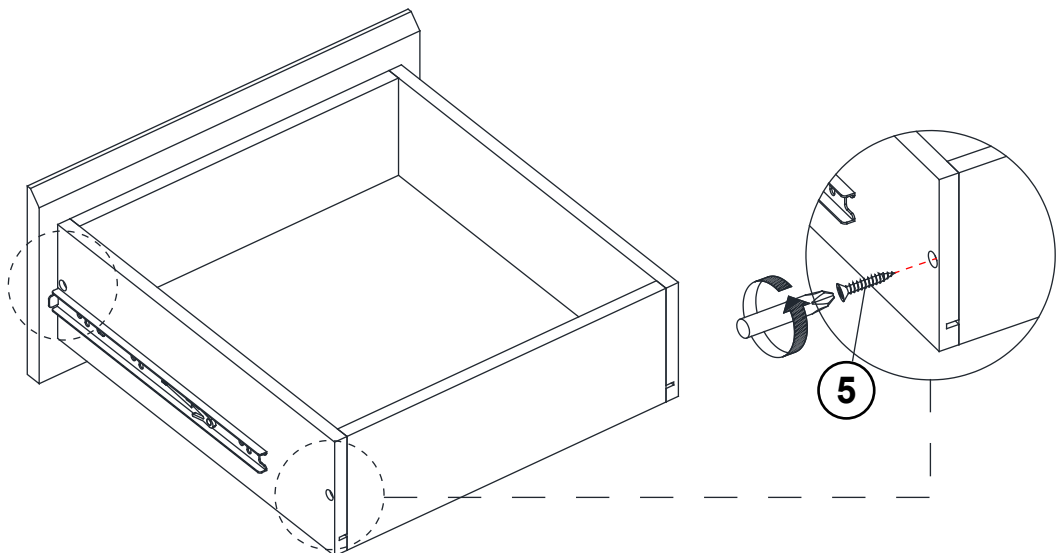
**STEP 16**



**STEP 17**



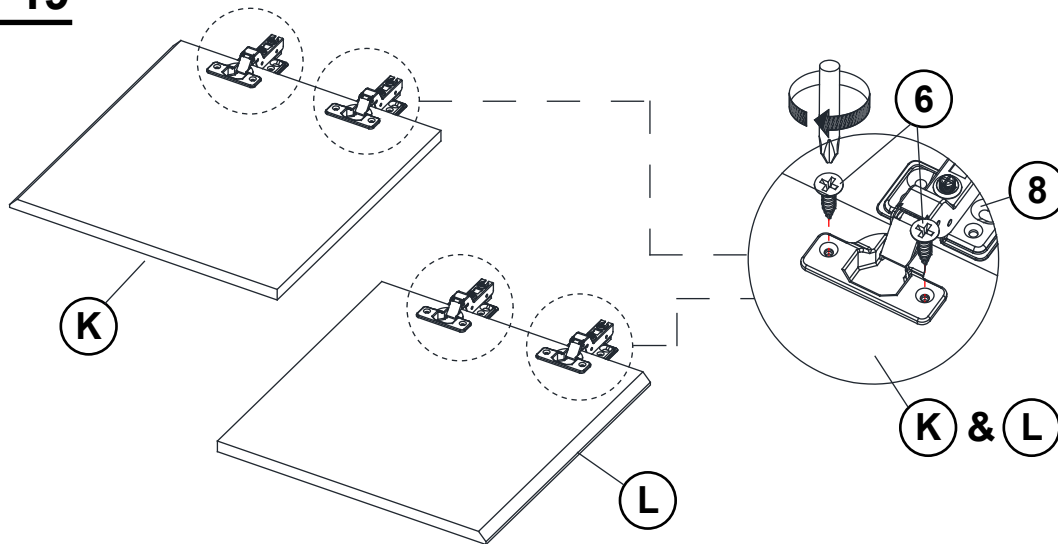
**STEP 18**



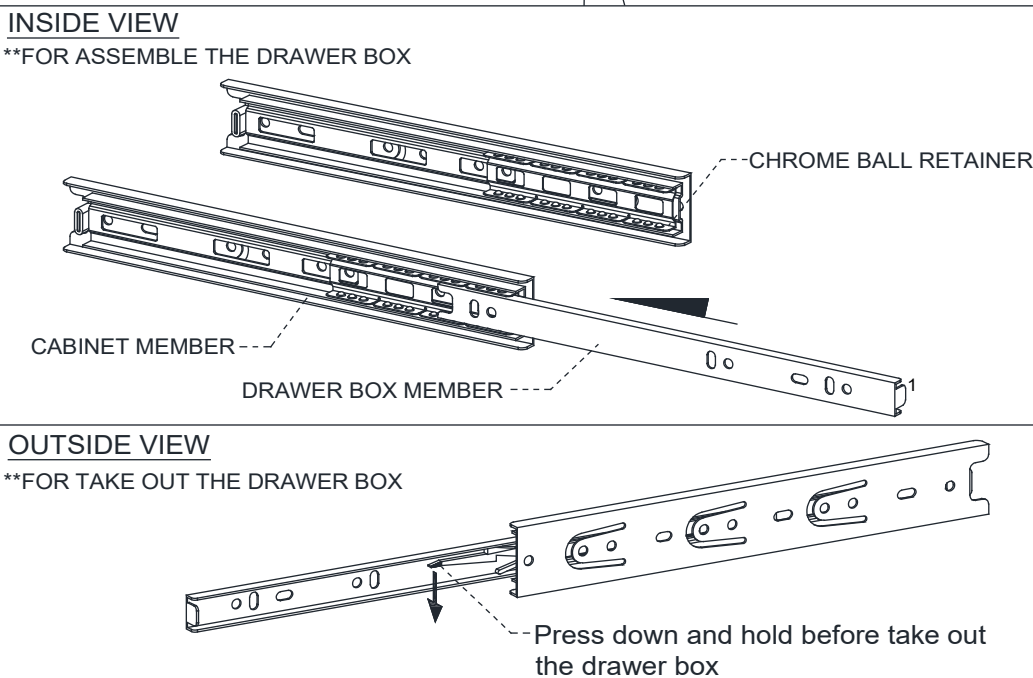
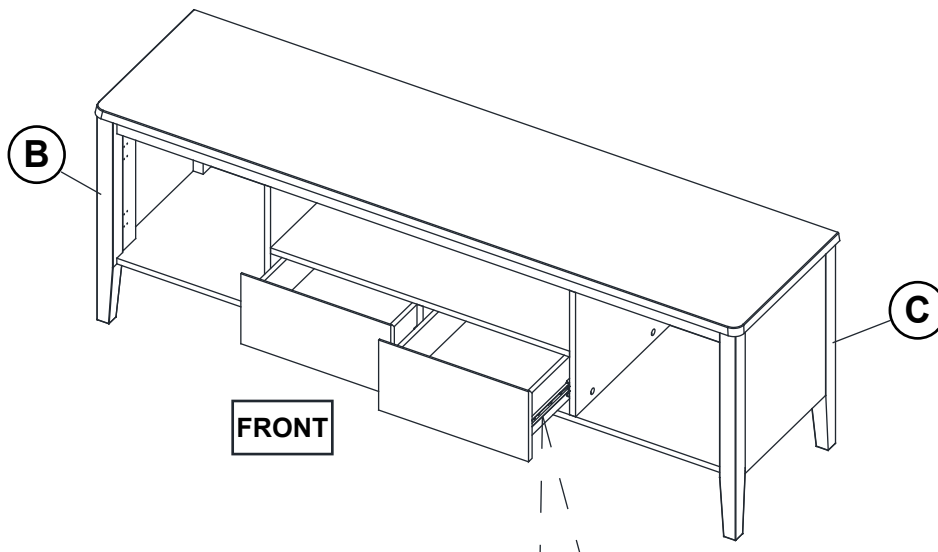
ITEM: **706452**

**ASSEMBLY INSTRUCTIONS**

**STEP 19**



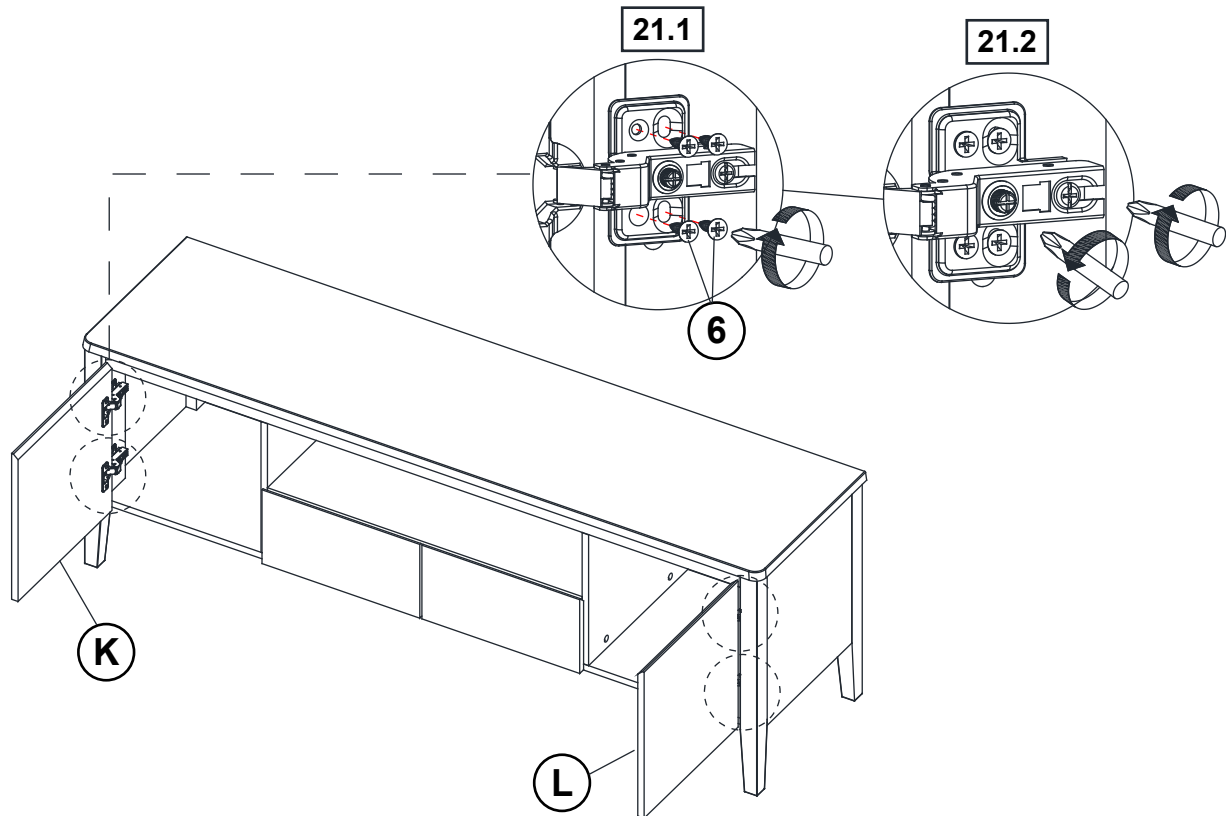
**STEP 20**



ITEM: **706452**

**ASSEMBLY INSTRUCTIONS**

**STEP 21**



**STEP 22**  
**COMPLETE**

