

ASSEMBLY INSTRUCTION

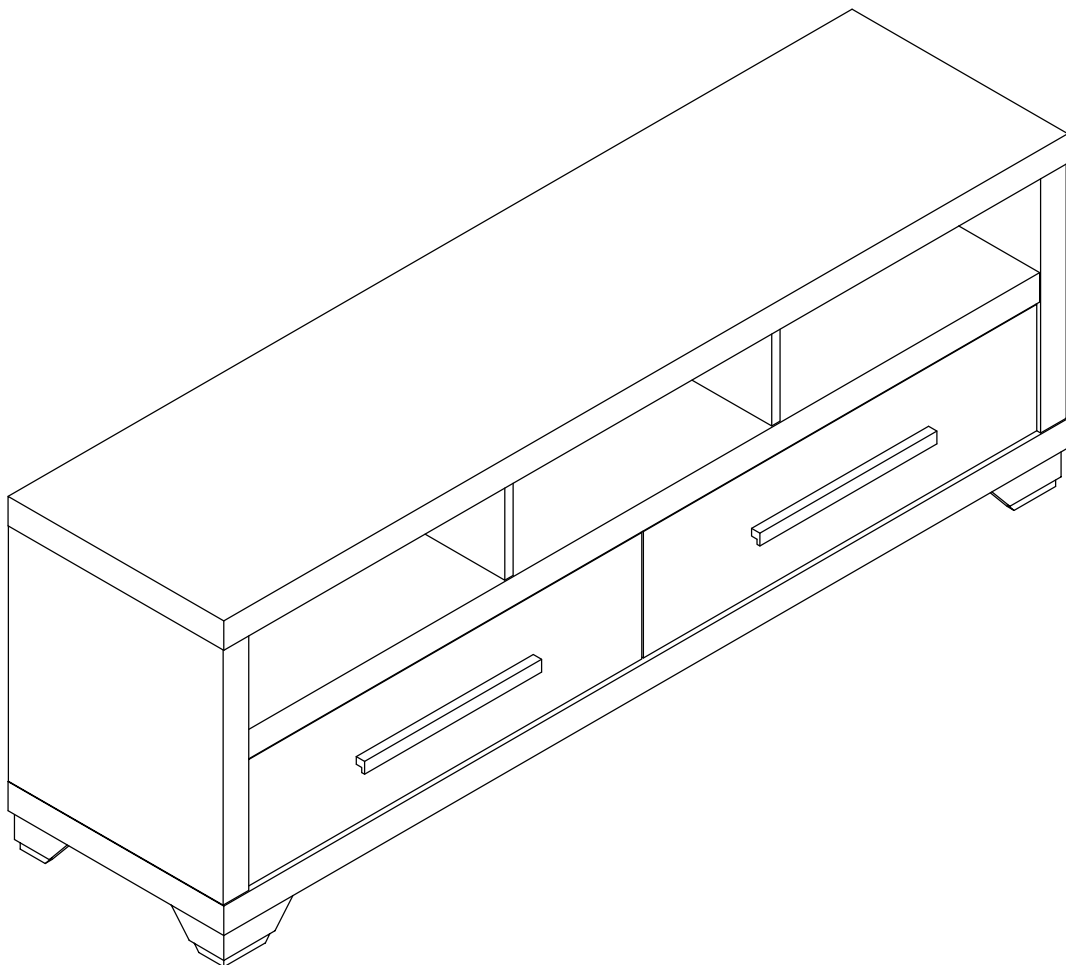
PLEASE READ BEFORE ASSEMBLING!

Tip #1: Make sure you've taken all the pieces and hardware out of its packaging before discarding the box.

Tip #2: Using page 2 and/or page 3 of instruction manual make sure all pieces and hardware are accounted for.

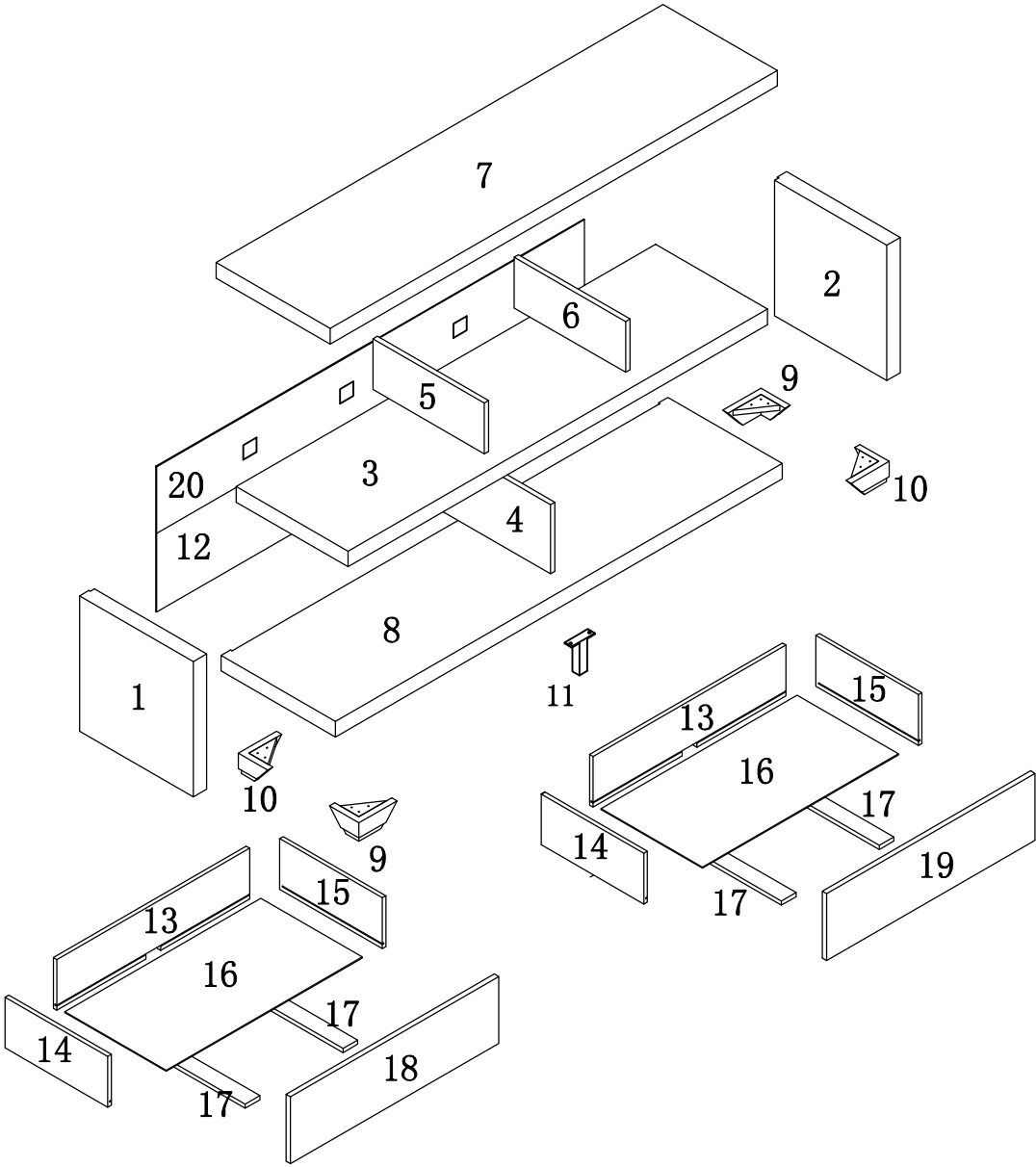
Tip #3: Read manual before assembling, it helps!

ITEM#: 14841



PARTS IDENTIFICATION

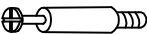


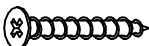

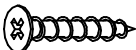
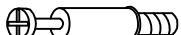



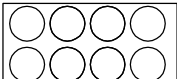


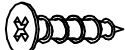

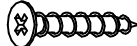

ITEM#: 14841



(1)	1pc	(7)	1pc	(13)	2pcs
(2)	1pc	(8)	1pc	(14)	2pcs
(3)	1pc	(9)	2pcs	(15)	2pcs
(4)	1pc	(10)	2pcs	(16)	2pcs
(5)	1pc	(11)	1pc	(17)	4pcs
(6)	1pc	(12)	1pc	(18)	1pc
				(19)	1pc

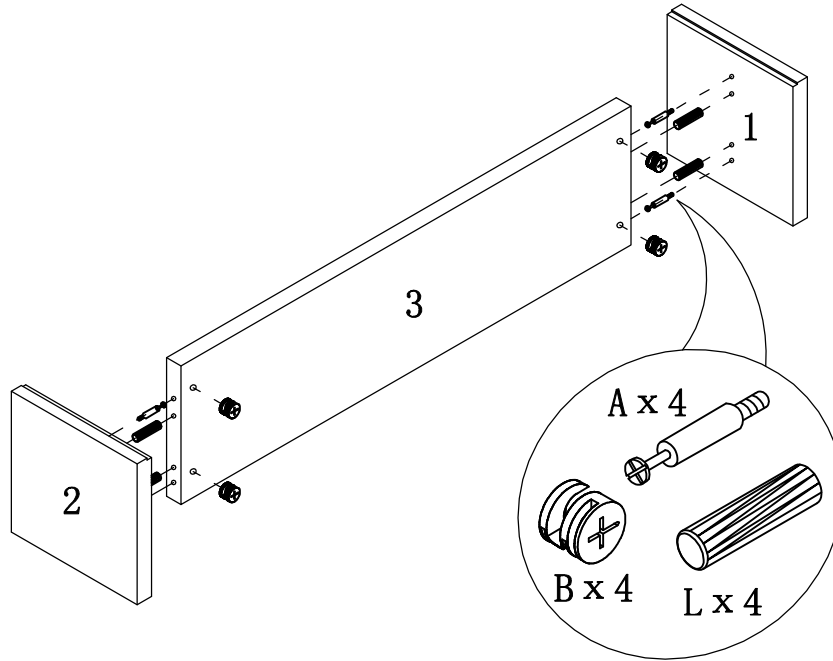
HARDWARE IDENTIFICATION

ITEM#: 14841

A		L29	14pcs
B		ϕ 15	14pcs
C		ϕ 7 x 58	10pcs
D		ϕ 4 x 35	12pcs
E		Z1016	38pcs
F		ϕ 4 x 30	8pcs
G		L20	8pcs
H		ϕ 12	8pcs
I		256MM	2pcs
J		ϕ 4 x 20	4pcs
K		ϕ 18	8pcs
L		ϕ 8 x 25	24pcs
M		ϕ 6 x 30	8pcs
N		ϕ 4 x 16	2pcs
O		80 x 25 x 68	1pc
P		ϕ 4 x 25	8pcs
Q		Pour coller la rondelle au trou de connexion / To firmly secure the cover to the connecting hole	1pc

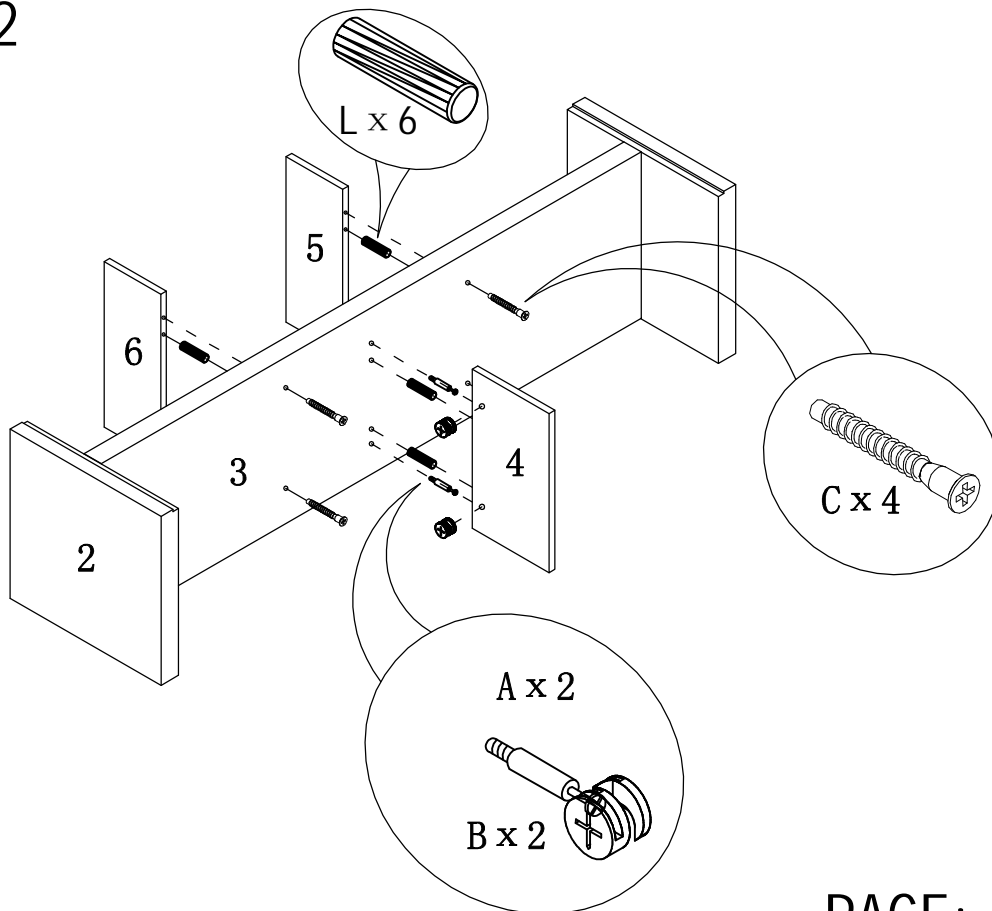
ASSEMBLY INSTRUCTION

ITEM#: 14841



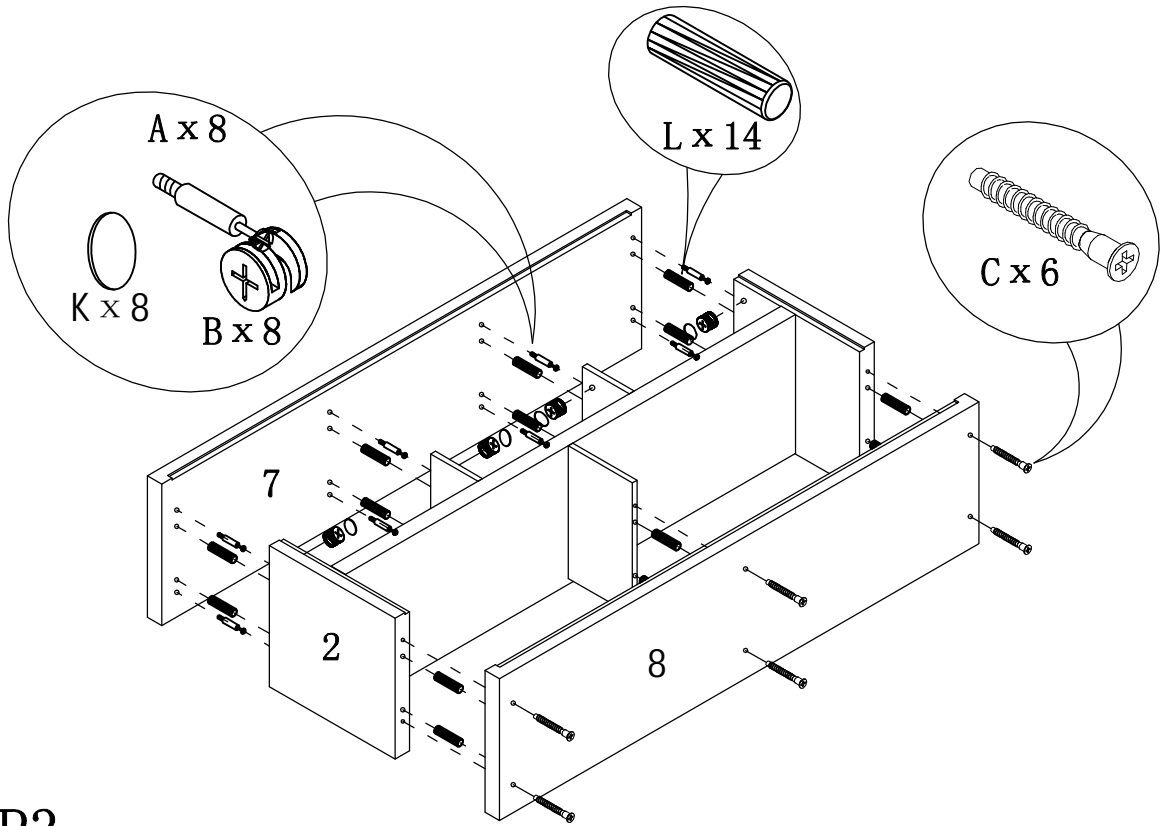
STEP 1

STEP 2



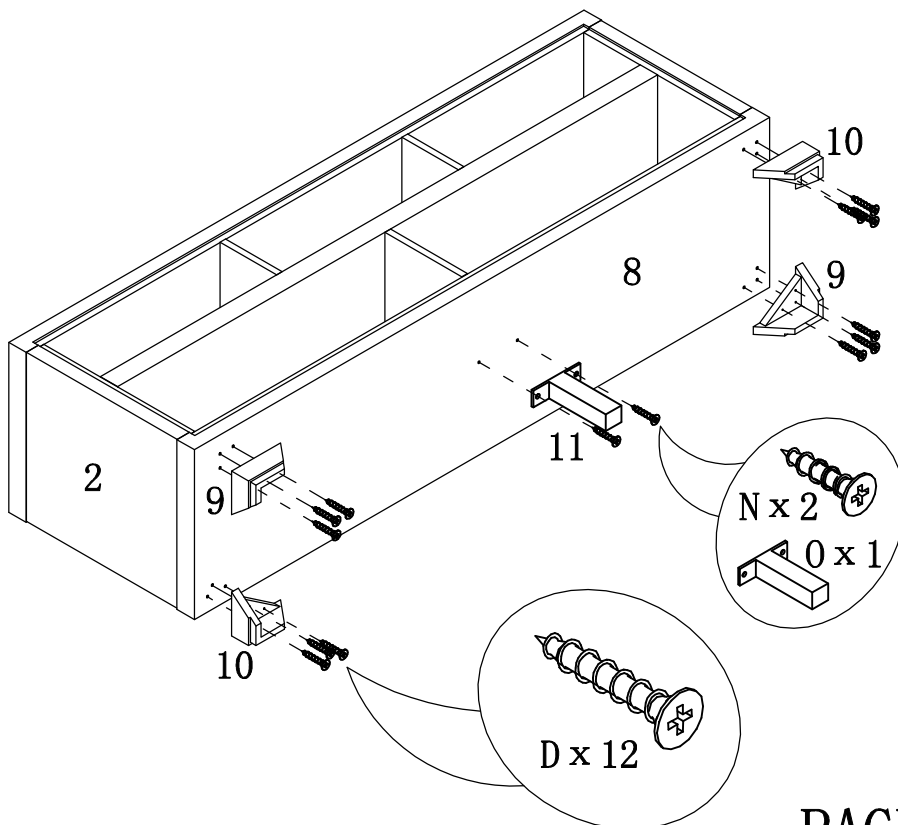
ASSEMBLY INSTRUCTION

ITEM#: 14841



STEP 3

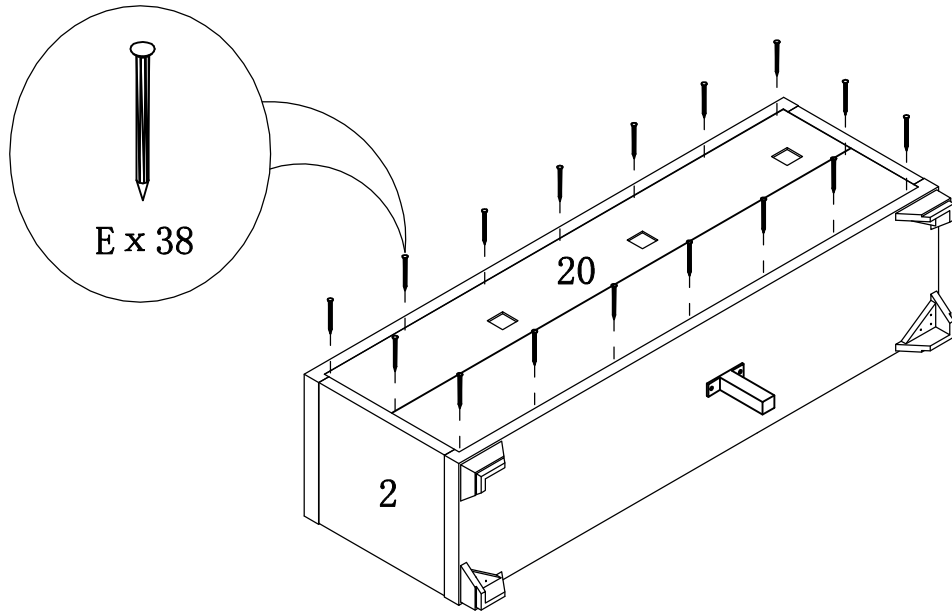
STEP 4



PAGE: 5 OF 7

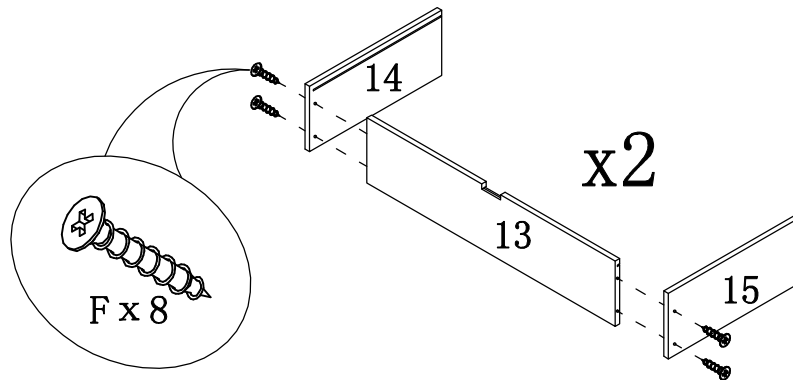
ASSEMBLY INSTRUCTION

ITEM#: 14841

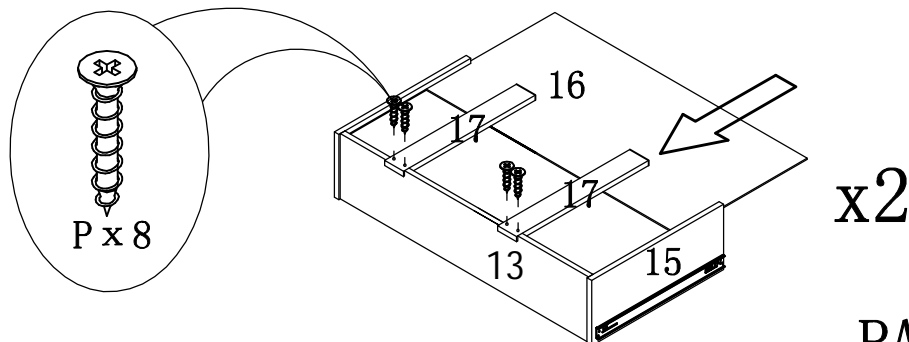


STEP5

STEP6

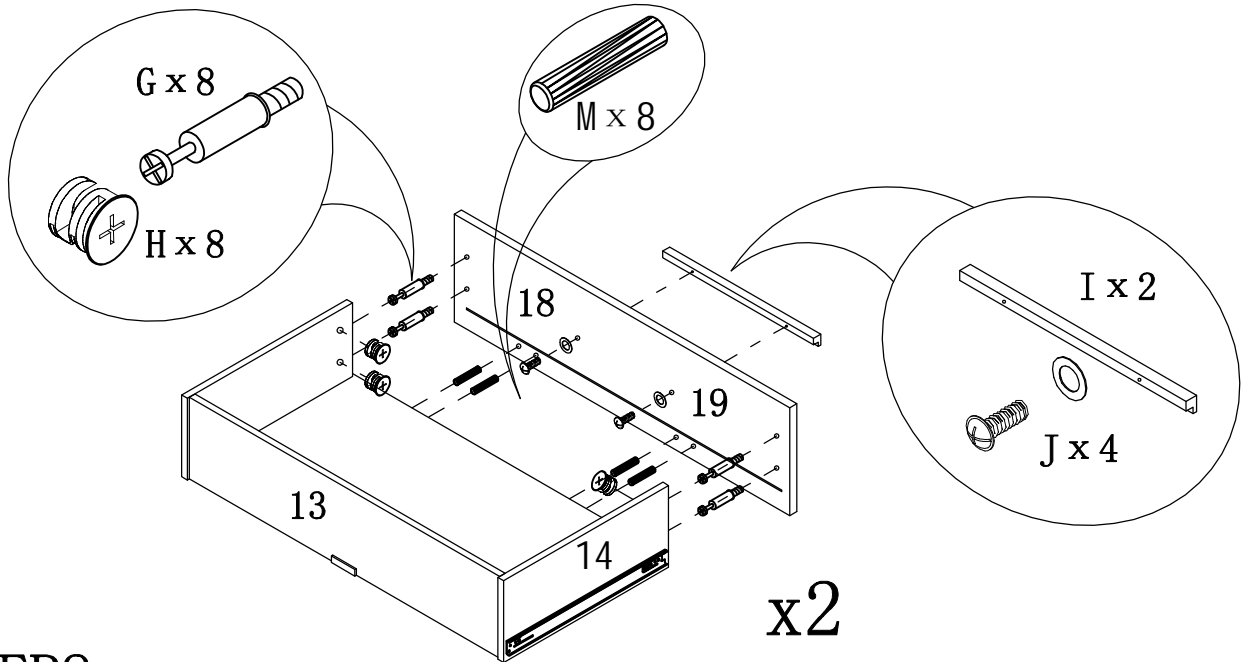


STEP7



ASSEMBLY INSTRUCTION

ITEM#: 14841



STEP8

STEP9

