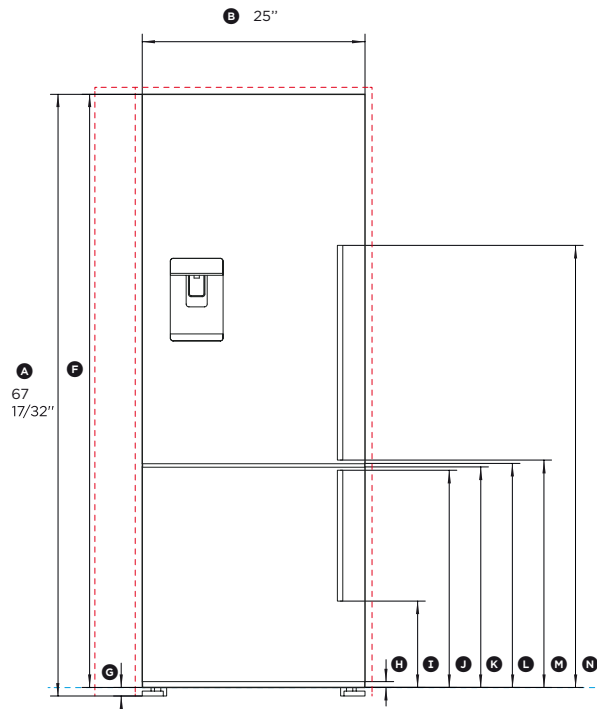
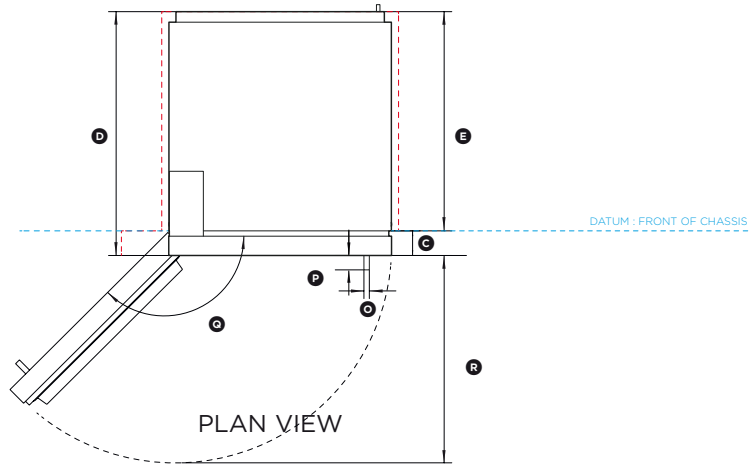
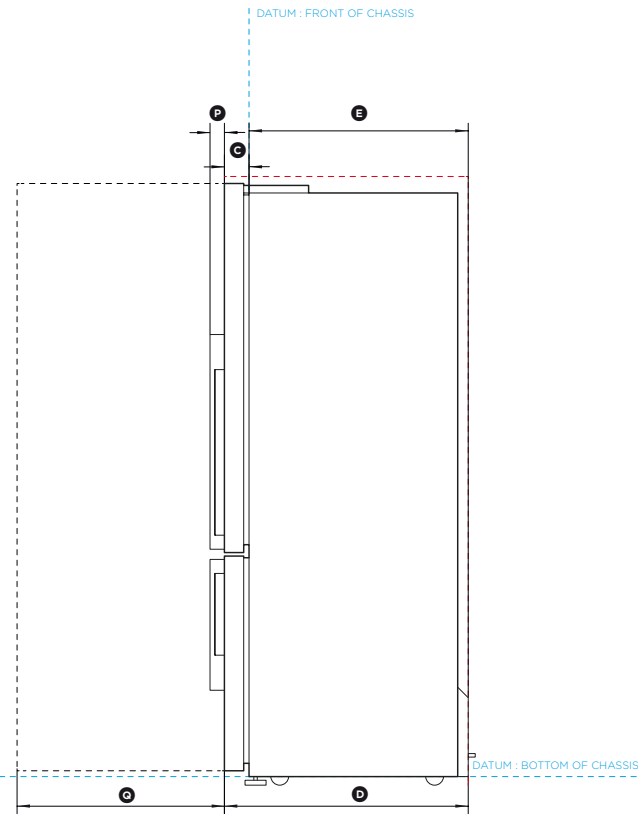


DATA SHEET

25" ACTIVESMART™ FRIDGE-BOTTOM FREEZER



FRONT VIEW



PROFILE VIEW

Model no:

RF135BDLUX4

Product Dimensions	in
Ⓐ Overall height* of fridge	67 17/32"
Ⓑ Overall width of fridge	25"
Ⓒ Depth of fridge door and gasket (excludes handle)	2 3/4"
Ⓓ Depth of fridge door and chassis (excludes handle)	27 3/8"
Ⓔ Depth of fridge chassis (does not include fridge door)	24 19/32"
Ⓕ Height from bottom datum to top of fridge door	66 9/16"
Ⓖ Height of feet (adjustable)	15/16"
Ⓗ Height from bottom datum to bottom of bottom door	21/32"
Ⓘ Height from bottom datum to bottom of bottom handle	9 11/16"
Ⓚ Height from bottom datum to top of bottom handle	24 3/8"
Ⓛ Height from bottom datum to top of bottom door	24 3/4"
Ⓜ Height from bottom datum to bottom of top door	25 5/32"
Ⓝ Height from bottom datum to bottom of top handle	25 1/2"
Ⓞ Height from bottom datum to top of top handle	49 19/32"
Ⓟ Width of handle	19/32"
Ⓠ Depth of handle (measured from front of door)	1 5/8"
Ⓡ Depth of door (open at 90°) (measured from front of door)	23 9/32"
Ⓢ Rotation of door (open) (measured from front of door)	135°

* Includes mounted feet

Minimum Clearances	in
Minimum height of cavity	68 5/16"
Minimum side clearance installed flush with chassis	25/32"
Side clearance (hinge side) - installed flush with door - full rotation	5 5/16"
Rear clearance (including evaporator tray)	1 3/16"

INDICATES PRODUCT DATUM -----
 INDICATES MINIMUM CABINETRY CLEARANCES - - - - -

DATE: 24.11.2014

IMPORTANT NOTE: Throughout this guide, dimensions may vary by ±2mm (3/32"). Please read the installation manual for detailed information on installing the product. www.fisherpaykel.com