

ASSEMBLY INSTRUCTIONS



TOOLS REQUIRED



Allen Wrench
(Included)



3 - Persons

ASSEMBLY RATING



EASY ————— DIFFICULT

The Assembly Rating is a 5-point system showing the level of effort needed to assemble a specific product.

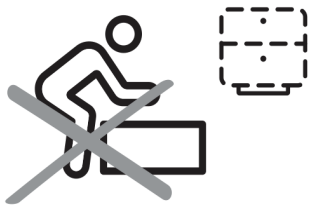
PRE ASSEMBLY INTRODUCTION

We understand building ready-to-assemble furniture can be a challenging experience for some. To help avoid confusion, we have provided some helpful tips that may speed up the process.



Teamwork

ALWAYS have at least two people to help with transporting and assembling the product to avoid potential injury and/or damage.



Suitable Location

Assembling near the area of the intended location is highly recommended.



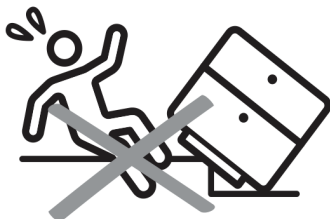
Sufficient Space

Make sure you have enough space to move around during the assembly.



Avoid Scratches

Use cardboard, blankets or a carpeted area while assembling furniture to prevent scratches and damages.



Flat Surface

Make sure the furniture rests on a flat and level surface with each leg evenly touching the floor.

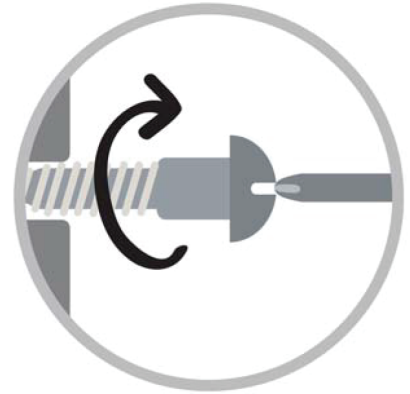
ASSEMBLY AND CARE ADVICE



FAILURE TO FOLLOW THE GUIDELINES BELOW MAY RESULT IN INJURY AND/OR PROPERTY DAMAGE.



Position each part correctly and insert screws or bolts into their respective holes.



Turn clockwise to tighten and only tighten when step is completed or when instructed to do so.



Use the appropriate hand tools or power tools for assembly. Select steps, such as tightening screws and/or bolts, may require hand tools to avoid causing damage during assembly.



Save the instructions and store any supplied tools for later maintenance.



After two weeks, check and tighten any loose hardware and repeat again every six months thereafter.

IT IS THE USER'S RESPONSIBILITY TO MAINTAIN THE FURNITURE. THE HARDWARE MAY LOOSEN OVER TIME AND MAY CAUSE THE FURNITURE TO BE WOBBLY AND UNABLE TO SUPPORT ITS INTENDED WEIGHT CAPACITY. THIS MAY LEAD TO COLLAPSE AND MAY CAUSE SERIOUS INJURY.

BUNKBED

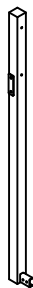


- Please keep instructions for future reference.
- Check the quantity and irregularity of parts and hardware before you start.



PARTS

1



Leg Post(Left)
1 pc

2



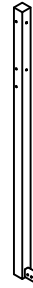
Leg Post(Left)
1 pc

3



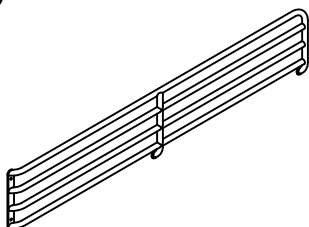
Leg Post(Right)
1 pc

4



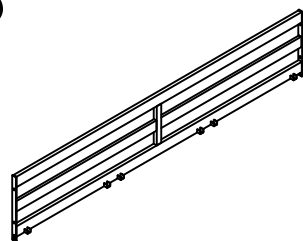
Leg Post(Right)
1 pc

5



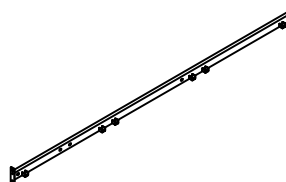
Front Guardrail
1 pc

6



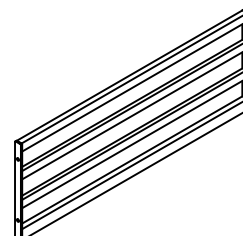
Back Guardrail
1 pc

7



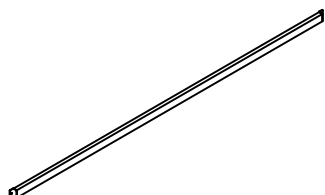
Front Brace
1 pc

8



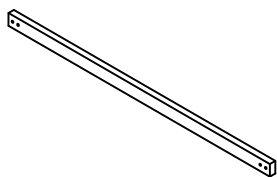
Side Panel
2 pcs

9



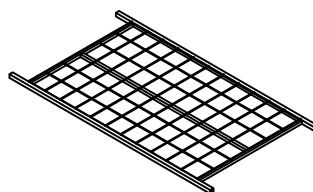
Back Brace
1 pc

10



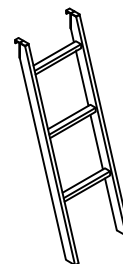
Side Brace
2 pcs

11



Base Frame
3 pcs

12



Ladder
1 pc

HARDWARE

A



Bolt 1/4" x 3/4"
14 pcs

B



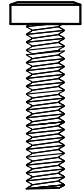
Gold
Bolt 1/4" x 3/4"
2 pcs

C



Bolt 1/4" x 5/8"
26 pcs

D



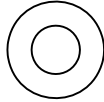
Bolt 5/16" x 1-1/4"
4 pcs

E



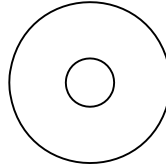
Flat Washer \varnothing 16mm
26 pcs

F



Flat Washer \varnothing 18mm
2 pcs

G



Flat Washer \varnothing 30mm
2 pcs

H



Allen Wrench M4
1 pc

I



Allen Wrench M5
1 pc

ASSEMBLY INSTRUCTIONS

1

Part ① x1pc

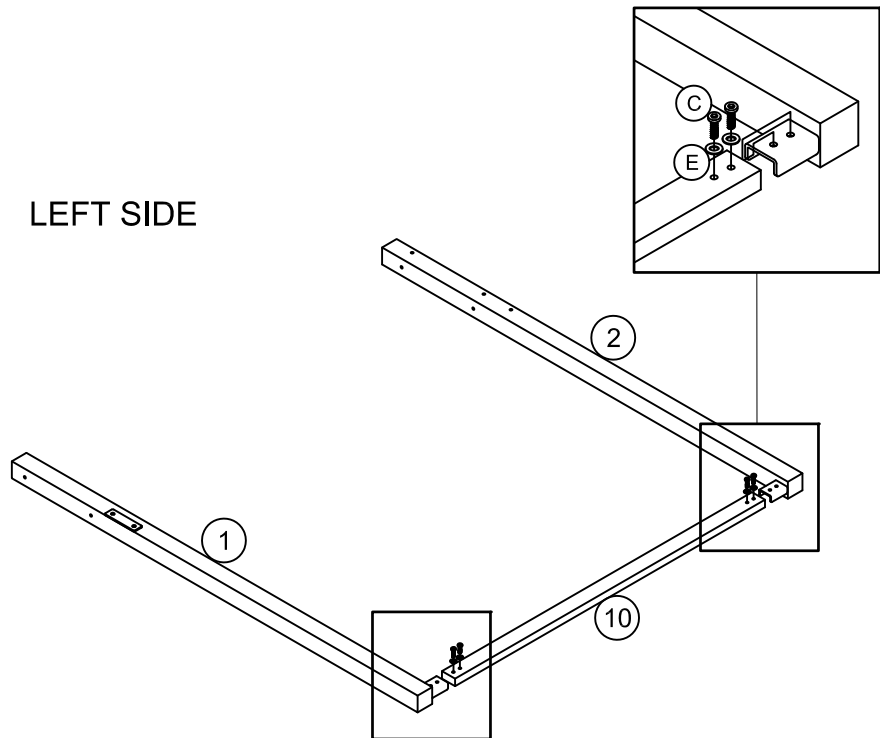
Part ② x1pc

Part ⑩ x1pc

Hardware ③ x4pcs

Hardware ⑤ x4pcs

LEFT SIDE



ASSEMBLY

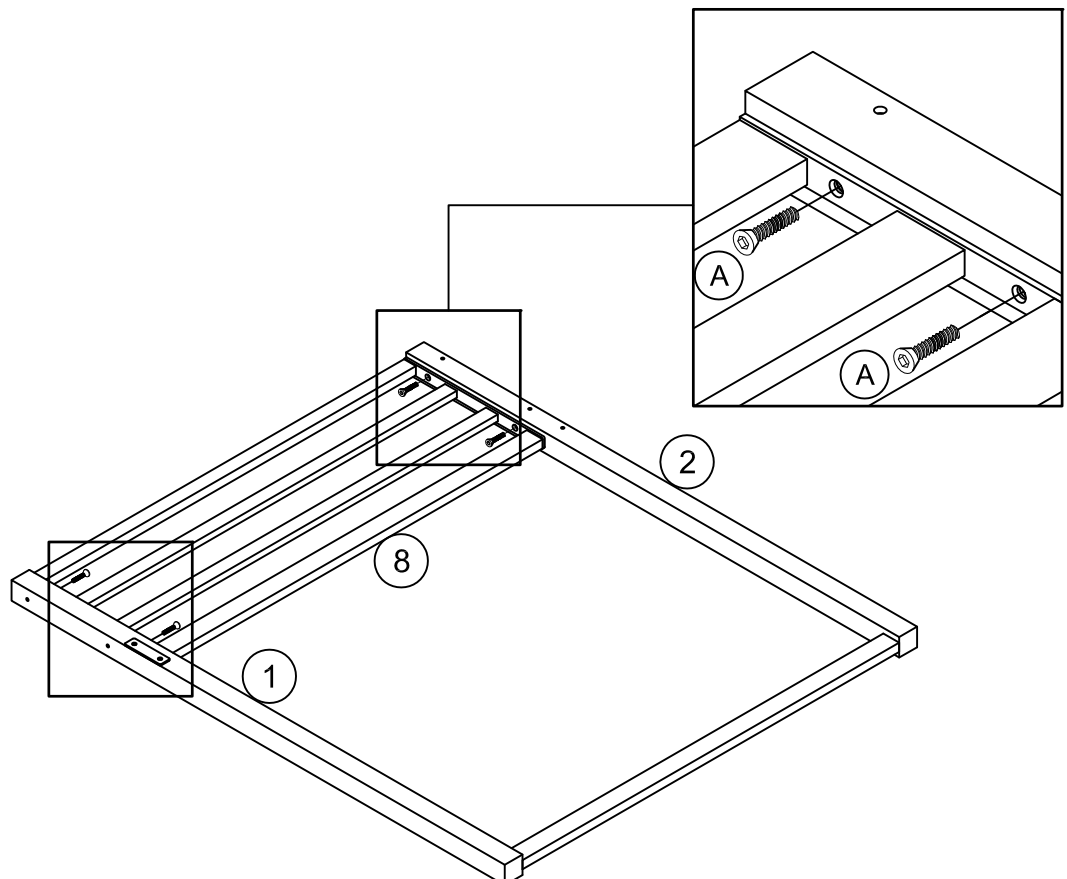
Keep bolts loose during initial assembly.

Tighten bolts only after all parts are assembled for best alignment.

2

Part ⑧ x1pc

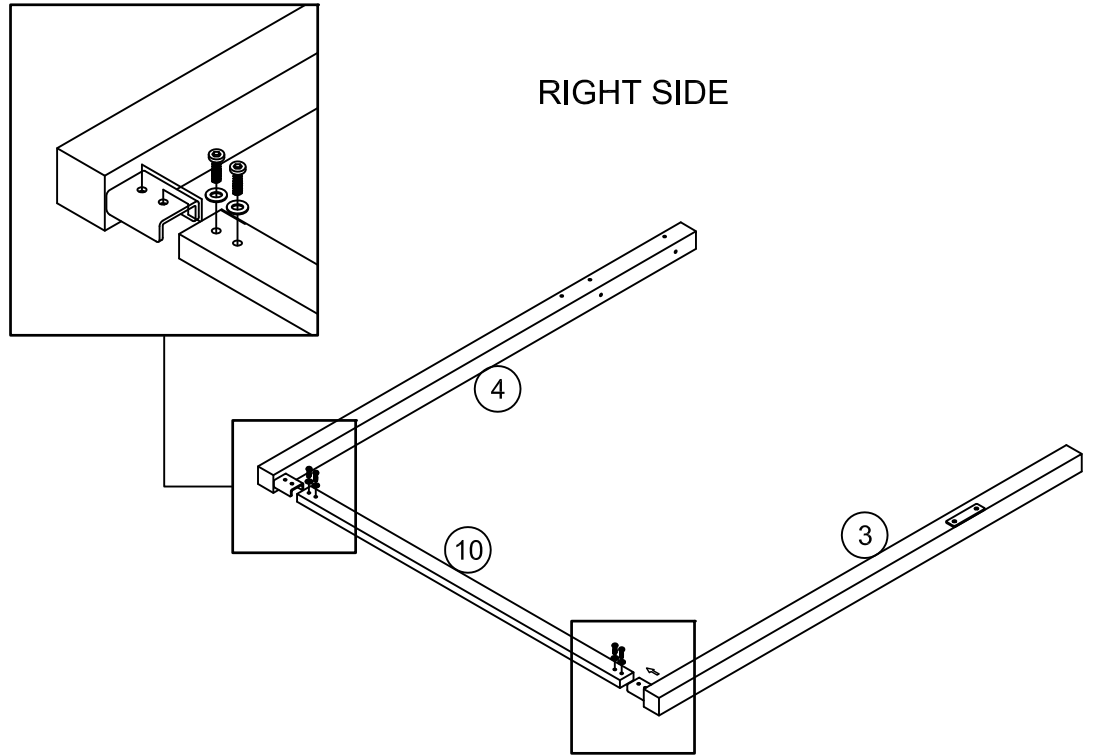
Hardware ④ x4pcs



ASSEMBLY INSTRUCTIONS

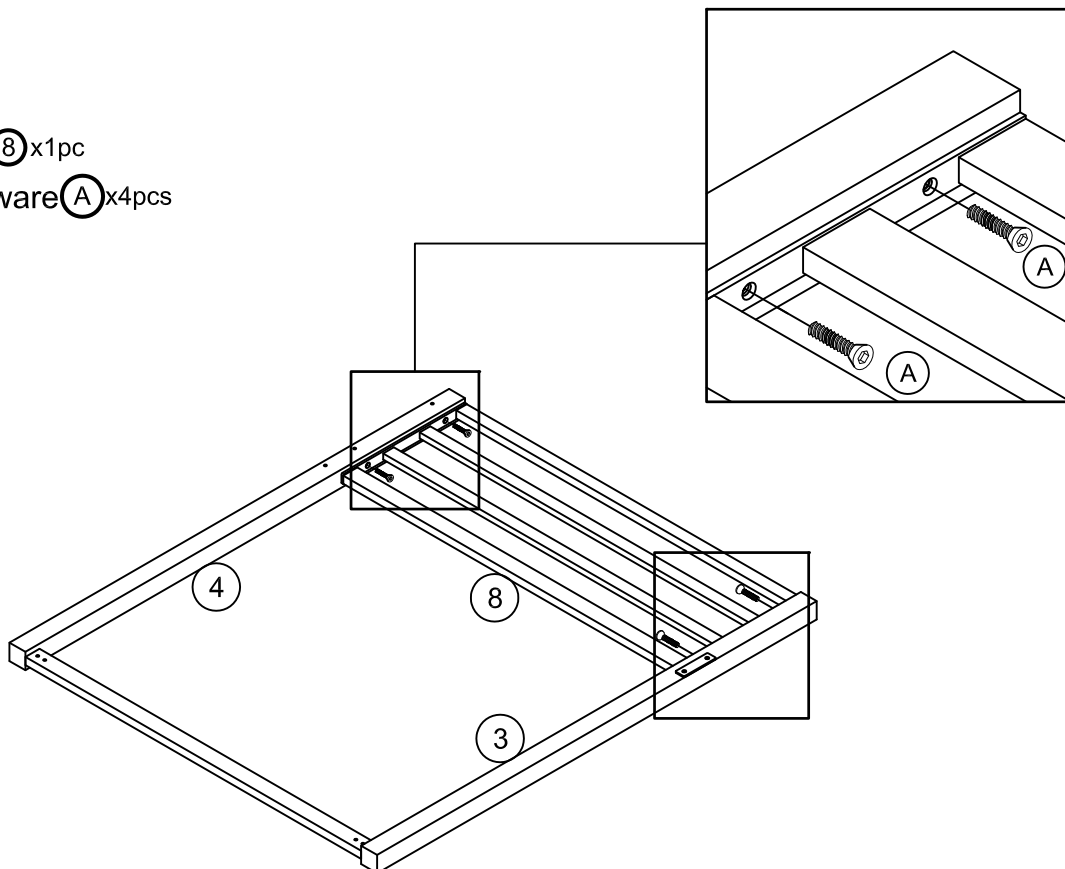
3

- Part ③ x1pc
- Part ④ x1pc
- Part ⑩ x1pc
- Hardware ① x4pcs
- Hardware ② x4pcs



4

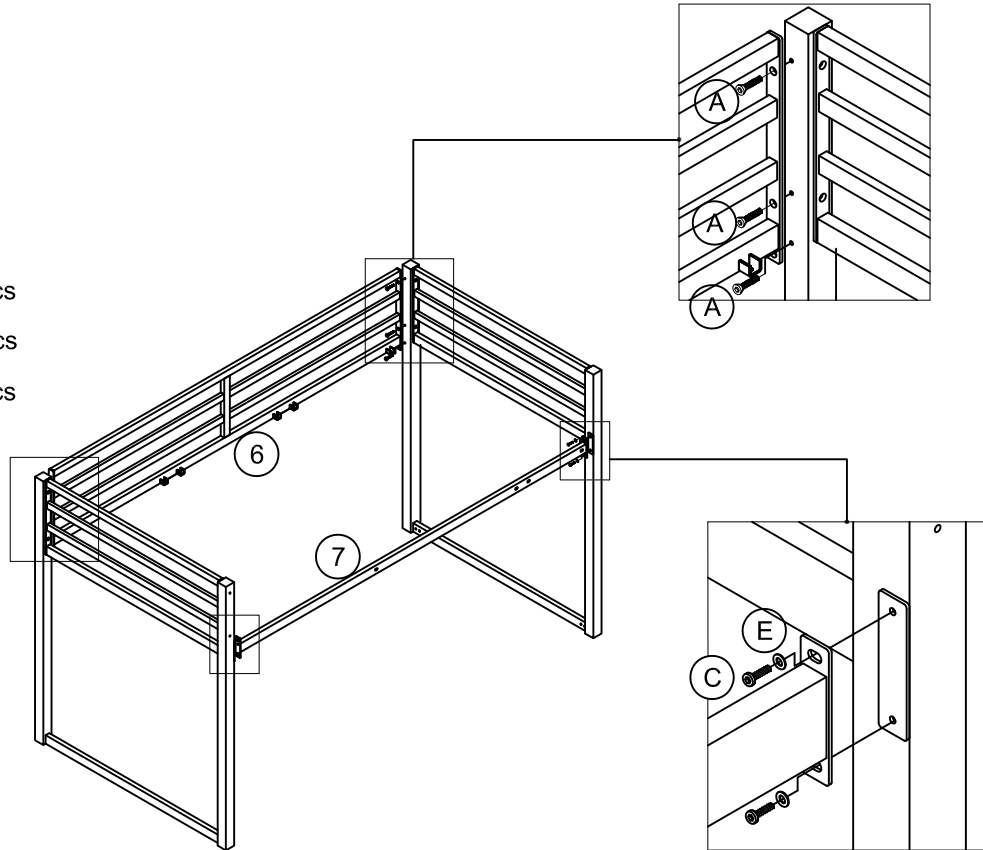
- Part ⑧ x1pc
- Hardware ③ x4pcs



ASSEMBLY INSTRUCTIONS

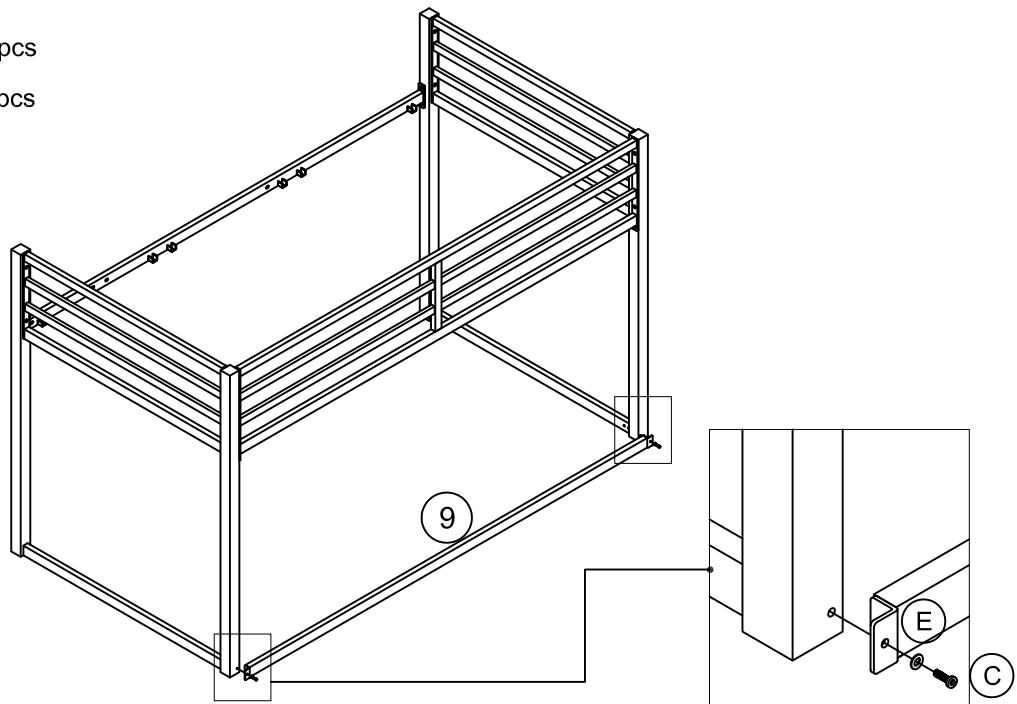
5

- Part ⑥ x1pc
- Part ⑦ x1pc
- Hardware ① x6pcs
- Hardware ③ x4pcs
- Hardware ⑤ x4pcs



6

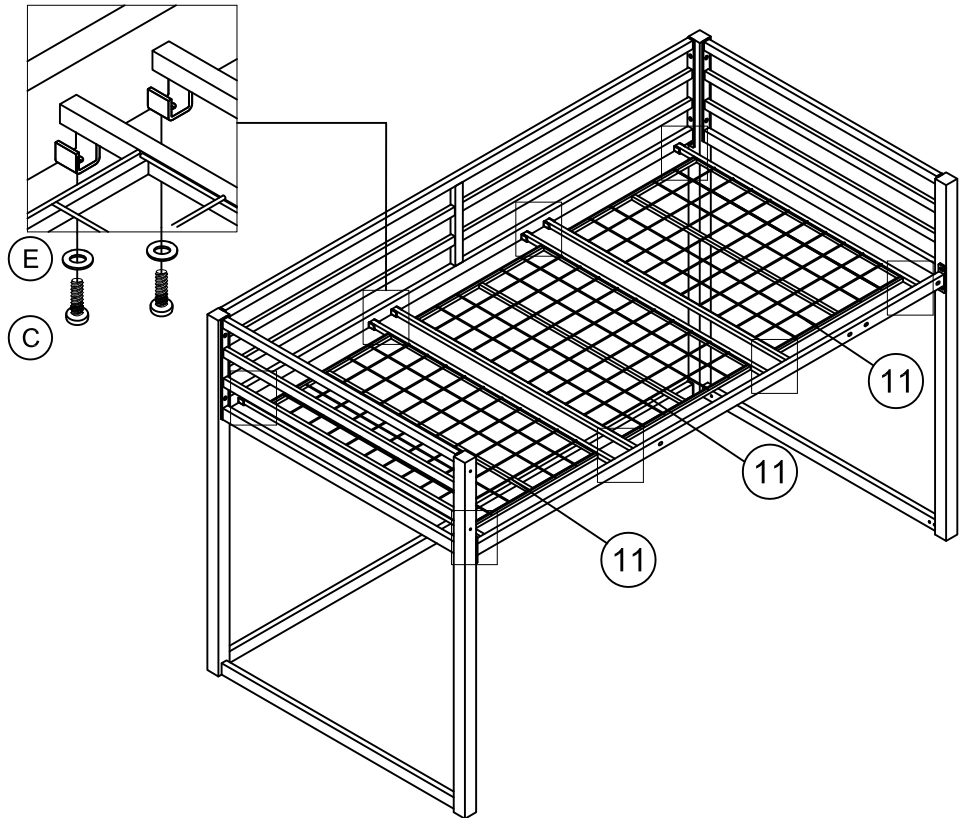
- Part ⑨ x1pc
- Hardware ③ x2pcs
- Hardware ⑤ x2pcs



ASSEMBLY INSTRUCTIONS

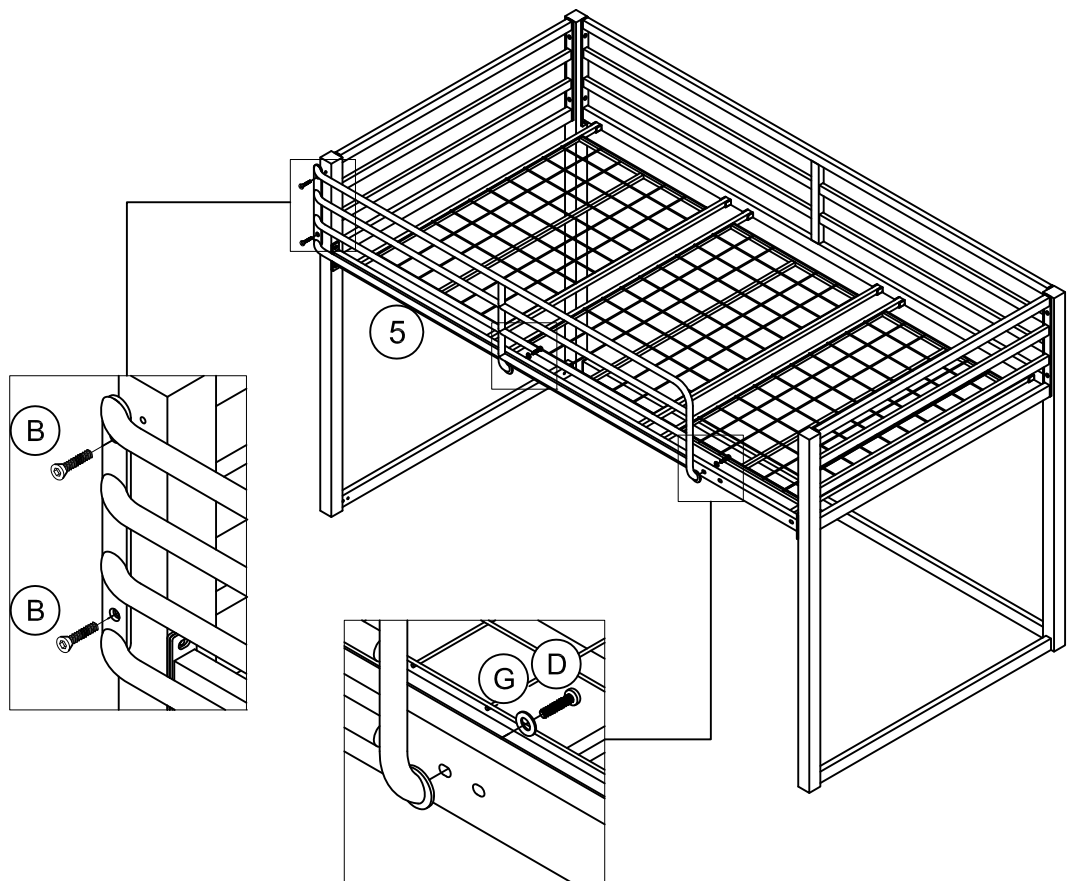
7

- Part 11 x3pcs
- Hardware C x12pcs
- Hardware E x12pcs



8

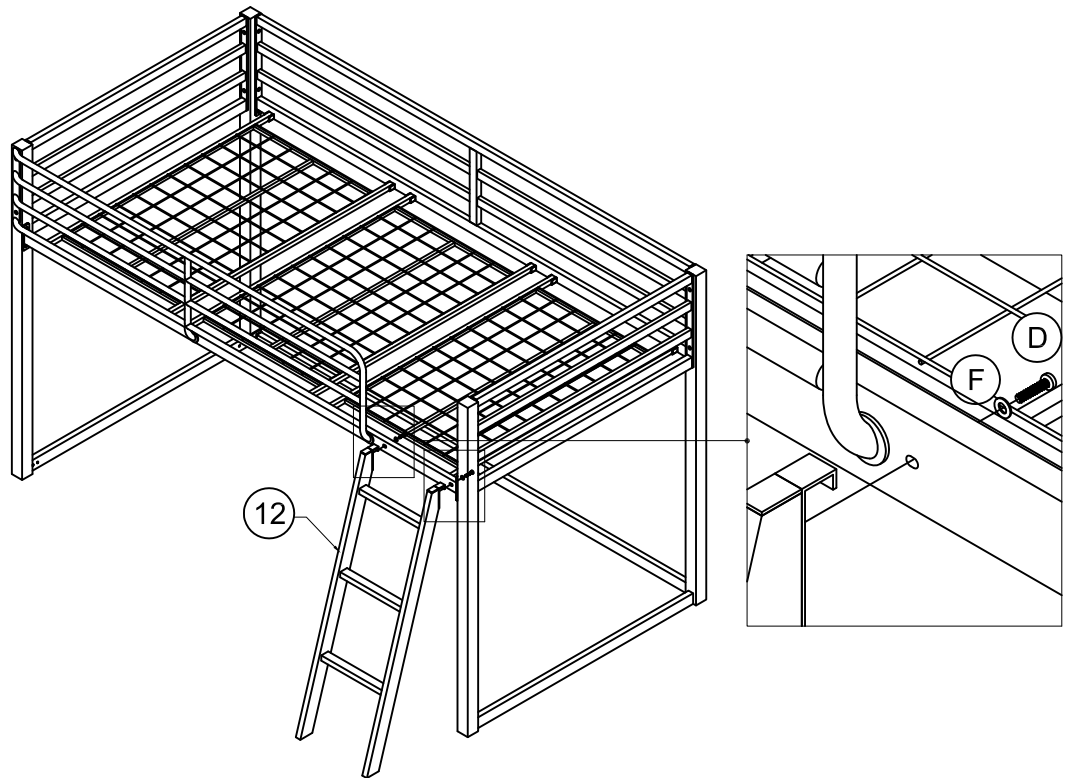
- Part 5 x1pc
- Hardware B x2pcs
- Hardware D x2pcs
- Hardware G x2pcs



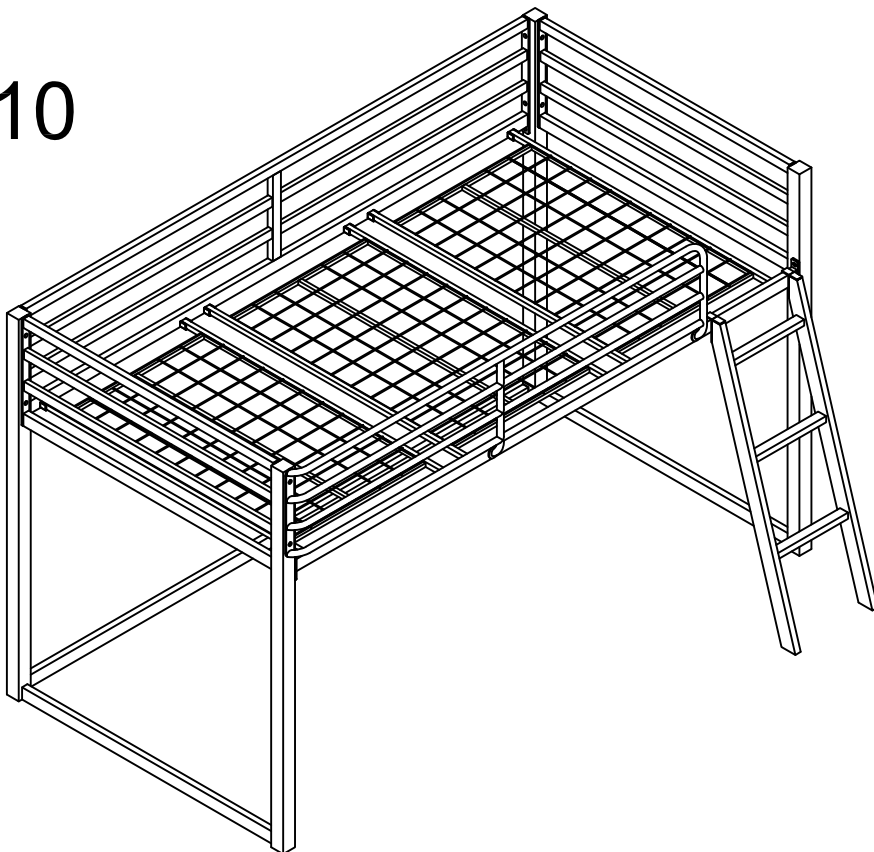
ASSEMBLY INSTRUCTIONS

9

Part 12 x1pc
Hardware D x2pcs
Hardware F x2pcs



10



ASSEMBLY COMPLETED



Please ensure the furniture rests on an even and flat surface. If the product wobbles or feels loose, double-check all bolts and/or screws are properly tightened and secured.



Keep this handy !

Please retain this instruction manual and any order-related information for future reference.



Lift don't drag !

To avoid damage to product please always LIFT the product when transporting or adjusting the placement.

This product is intended for RESIDENTIAL USE ONLY and not for commercial use.

Safety Warnings

1. Follow the information on the warnings appearing on the upper bunk end structure and on the carton. Do not remove warning label from bed.

2. Always use the recommended size mattresses or mattress supports, or both, to help prevent the likelihood of entrapment or falls.

3. Surface of mattress must be at least 5 in. (127mm) below the upper edge of guardrails.

4. Do not allow children under 6 years of age to use the upper bunk.

5. Periodically check and ensure that the guardrail, ladder, and other components are in their proper position, free from damage, and that all connectors are tight.

6. Do not allow horseplay on or under the bed and prohibit jumping on the bed.

7. Always use the ladder for entering and leaving the upper bunk.

8. Do not use substitute parts. Contact the manufacturer or dealer for replacement parts.

9. Use of a night light may provide added safety precaution for a child using the upper bunk.

10. Always use guardrails on both long sides of the upper bunk. If the bunk bed will be placed next to the wall, the guardrail that runs the full length of the bed should be placed against the wall to prevent entrapment between the bed and wall.

11. The use of water or sleep flotation mattresses is prohibited.

12. Keep these instructions for future reference.

13. Use only mattress which is (74"-75")X(37.5"-38.5")X6" on upper bunk.

14. Prohibit more than one person on upper bunk.

15. Maximum total weight is not to exceed 400 lbs. on the upper bunk.

STRANGULATION HAZARD:

Never attach or hang items to any part of the bunk bed that are not designed for use with the bed; for example, but not limited to, hooks, belts and jump ropes.