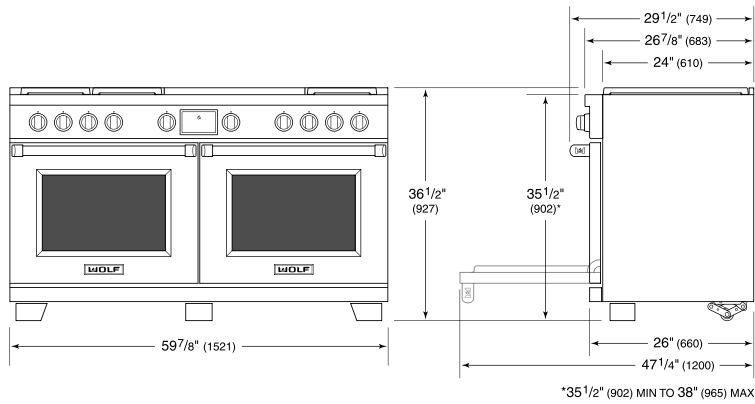
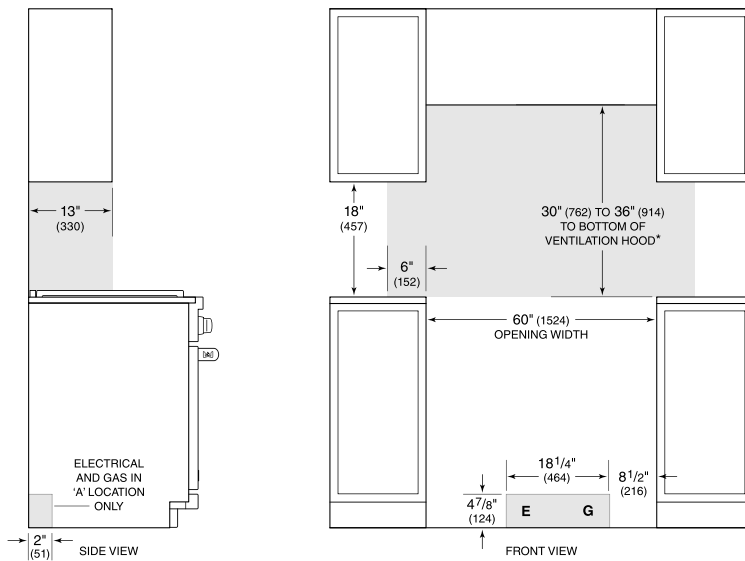


Dimensions



Standard Installation



*Without ventilation hood, 36" (914) minimum clearance countertop to combustible materials, 44" (1118) for charbroiler.

NOTE: Shaded area above countertop indicates minimum clearance to combustible surfaces, combustible materials cannot be located within this area.
 For island installation, 12" (305) minimum clearance back of range to combustible rear wall above countertop.

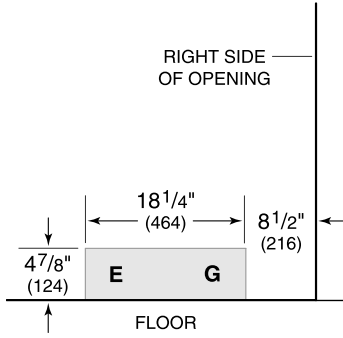
Electrical Requirements

Electrical Requirements

Electrical Supply 240/208 VAC, 60 Hz

Electrical Service 50 amp dedicated circuit

Electrical Location Illustration



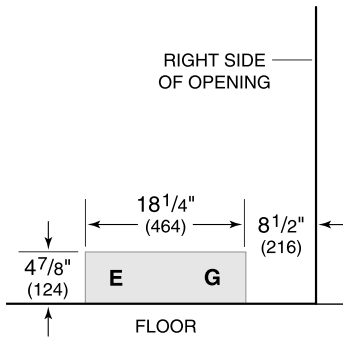
Gas Requirements

Gas Requirements

Gas Supply 3/4" ID line

Gas Inlet 1/2" NPT female

Gas Supply Illustration



Top Configuration

