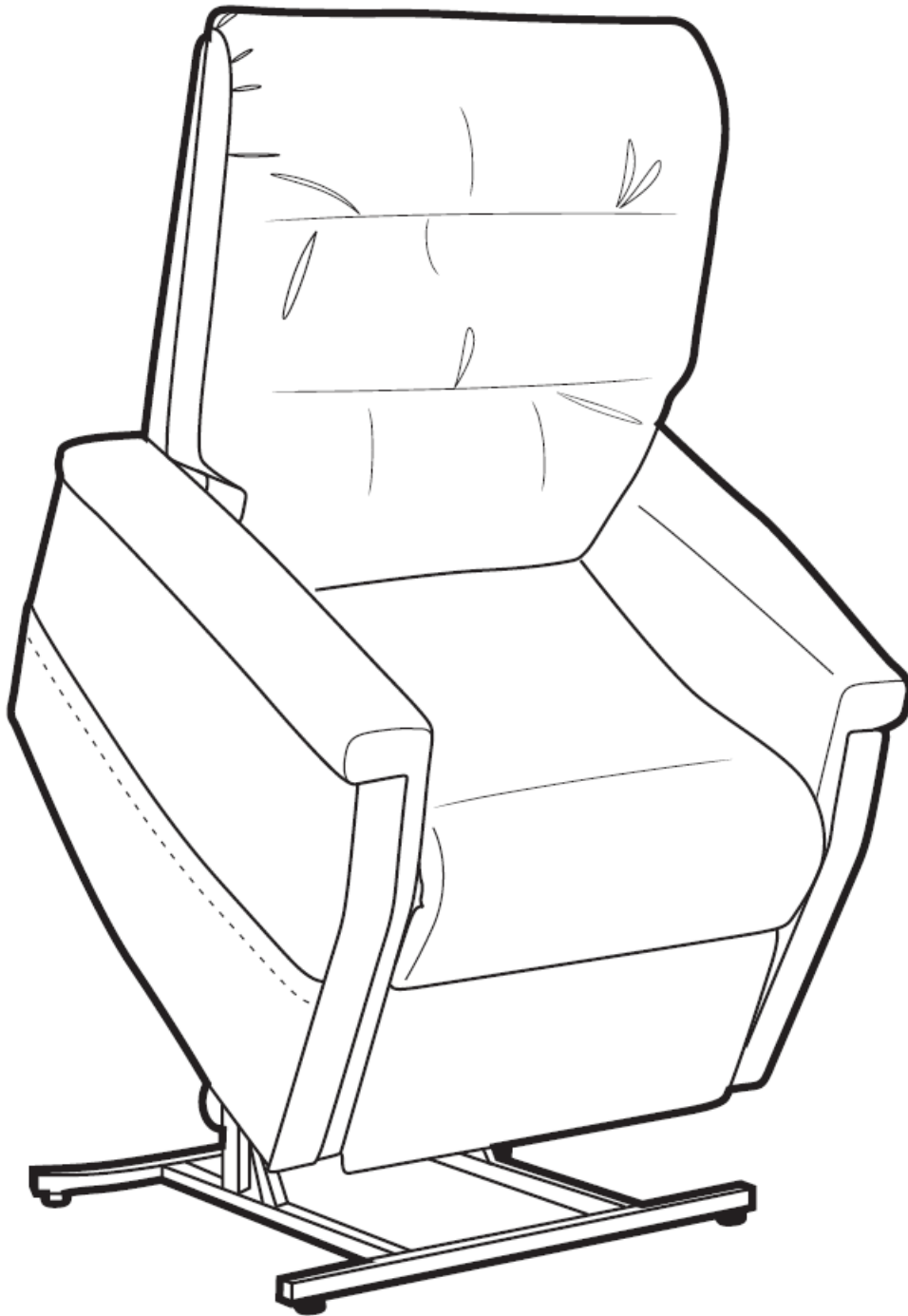



LIFT CHAIR INSTRUCTION SHEET



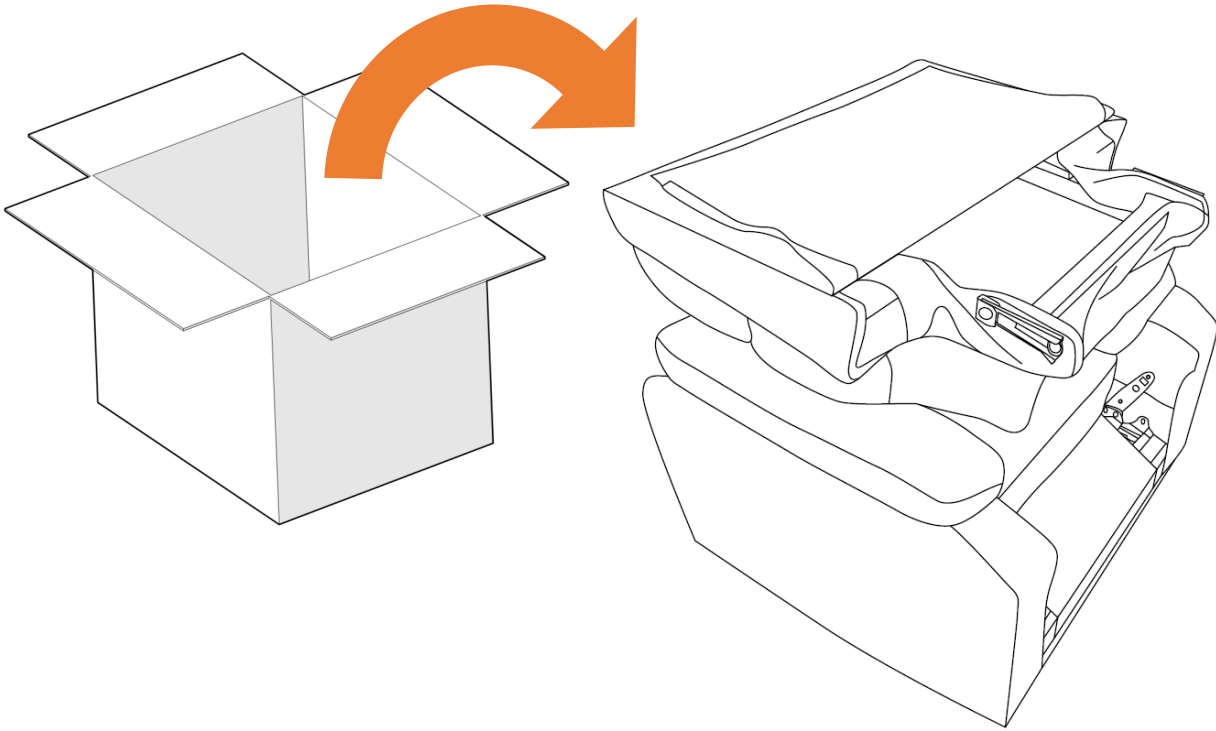
IMPORTANT SAFETY INSTRUCTIONS



WARNING: In order to avoid property damage, serious bodily injury or death, it is important that you read, understand and follow ALL safety instructions. Please keep the safety instructions for future reference.

-    WARNING: Always check under and around the chair before lowering from a raised position to make sure no children, household pets or objects are under the chair. Never allow children to operate or play on, under or around the chair. Failure to clear the area under and around the chair before lowering may result in serious bodily injury, death or property damage. Always store the controller out of reach of children and unplug the chair to prevent children from using the controller.
-   WARNING: To reduce the risk of electric shock, always unplug the chair from the electrical outlet before moving, cleaning or servicing.
-    WARNING: To reduce the risk of electric shock, fire, serious bodily injury, death or property damage, only use the chair indoors in locations free of water. The chair should never be used outdoors.
-    WARNING: To reduce the risk of electric shock, fire, serious bodily injury, death or property damage, never plug in, use or operate the chair if the cord has been damaged or if the chair becomes wet or has been damaged. Do not use an extension cord with the chair.
-  WARNING: Do not use the chair to store or support any items including, without limitation, televisions or video equipment as such items can fall off the chair and cause serious bodily injury or death.
-  WARNING: Use the chair only for its intended use and in accordance with these Safety Instructions and all other product instructions. Failure to do so may result in serious injury, death or property damage.
-   WARNING: The maximum weight limit of the chair is 300 pounds. Only allow one person to sit on or use the chair and always sit on the bottom seat cushion only. Never sit on the back of the chair, chair arms or leg rest (if equipped). Using or operating chair with more than the maximum weight limit or sitting on a part of the chair other than the bottom seat cushion could damage the chair and/or cause the chair to tip over or collapse resulting in serious bodily injury or death.
-   WARNING: Your chair is equipped with air openings. Always keep air openings free of lint, hair or other blockage. Failure to do so may cause the chair motor to overheat resulting in fire, property damage, bodily injury or death.
-   WARNING: Do not operate chair near or around flammable gases, liquids or vapors. Failure to follow this instruction may cause a fire or explosion resulting in personal injury, death or property damage.
-  NOTE: UNIT SHOULD BE ASSEMBLED BY TWO OR MORE PEOPLE.
DO NOT TIGHTEN ANY BOLTS UNTIL ALL BOLTS HAVE BEEN STARTED!

UNBOXING

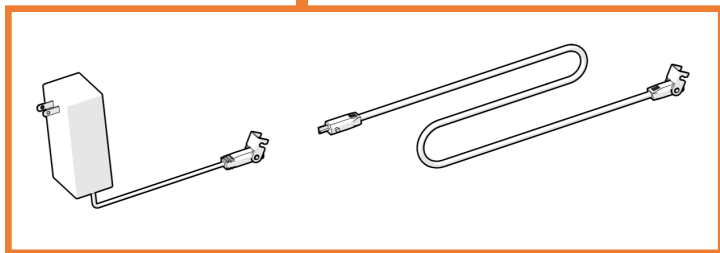
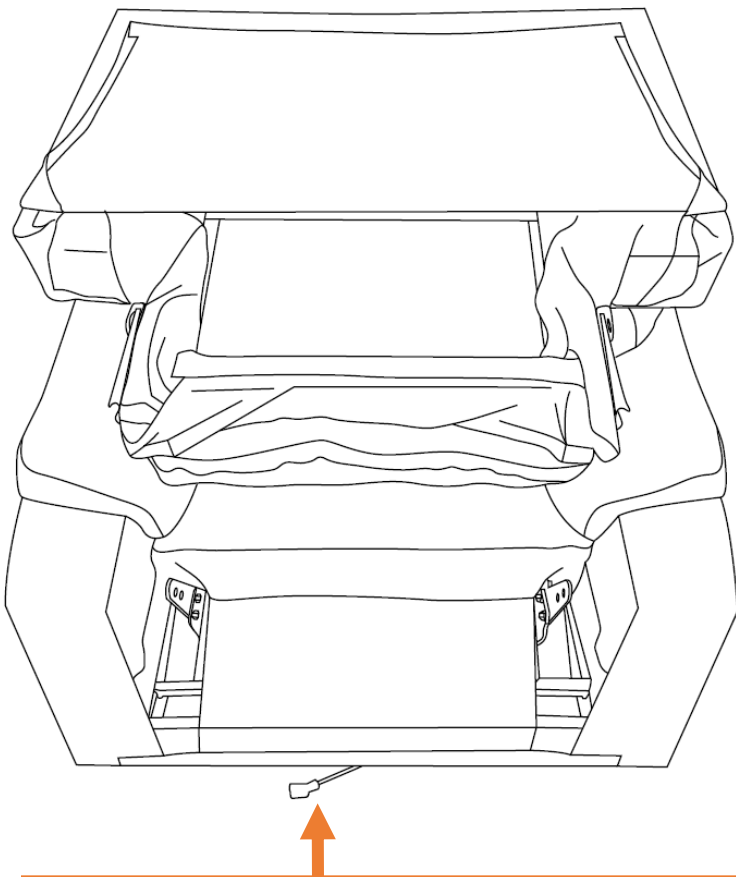


- Remove chair from the box and rest the back on top of the chair base.
- Lift cover flap if needed and locate connection points.

CONNECTIONS

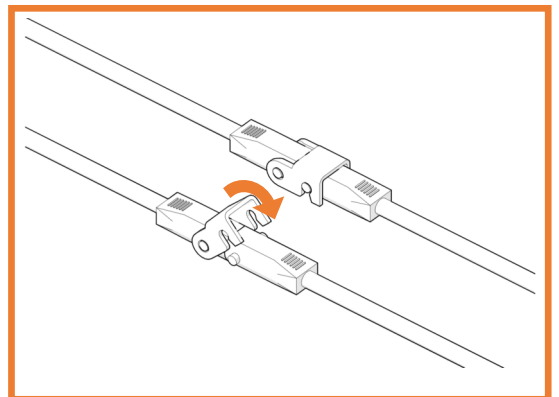
CONNECT CABLES BEFORE ASSEMBLING THE BACK INTO THE SEAT!

- Connect corresponding cables, ensuring each cable is locked into the connection.



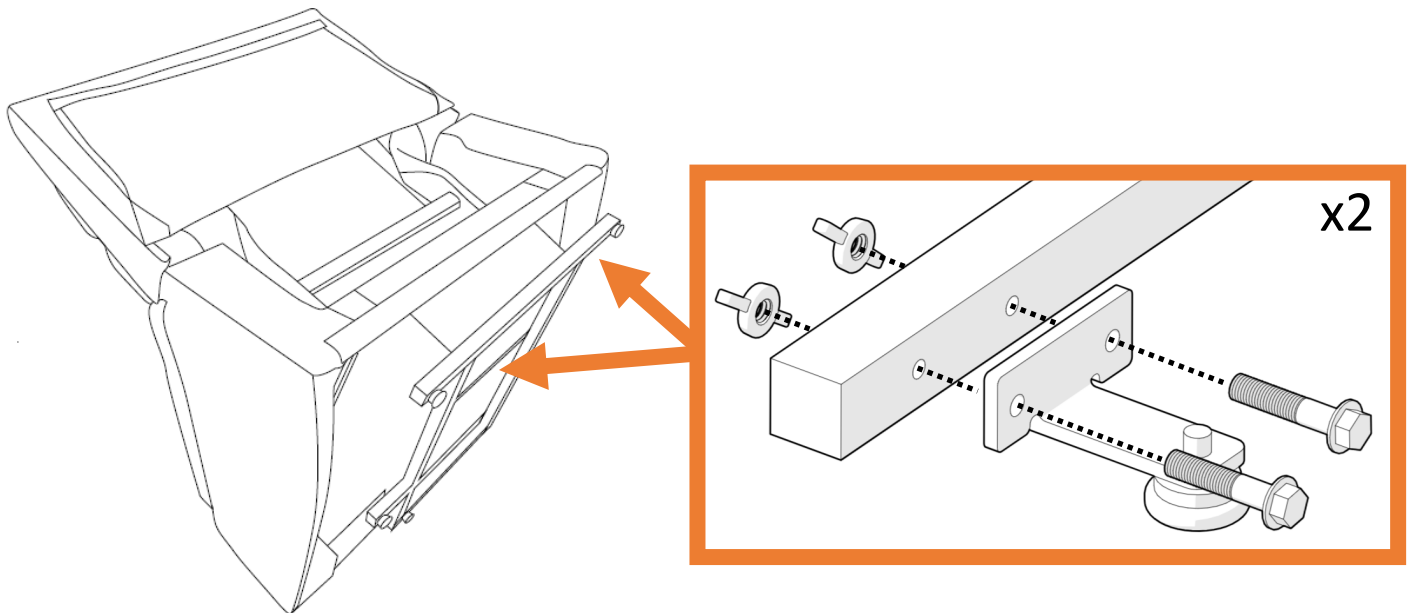
Locate Power Supply pack, connect cables and connect to wall outlet to power unit.

Ensure the cable locks are fully engaged.

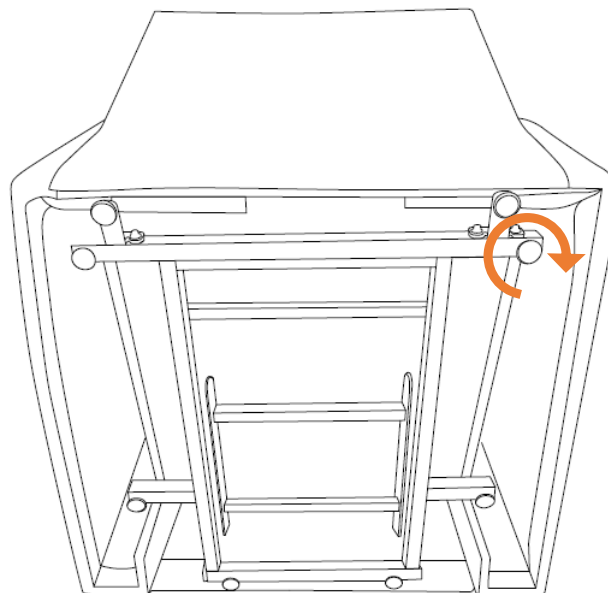


EXTENDED LEG AND LEVELING

- Install Anti-Tip floor brackets before use.
- Install (2) Anti-Tip Brackets using provided bolts and nuts.
- The Lift Mech base and included Anti-Tip Brackets have adjustable floor glides.

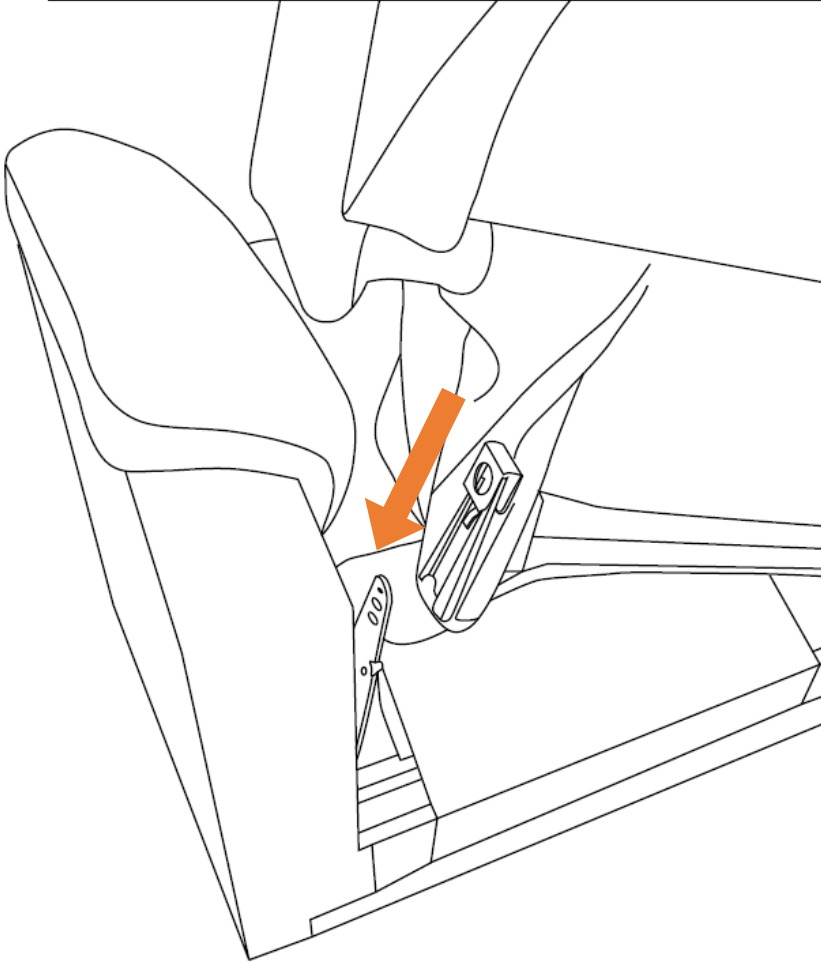


Adjust floor glides by twisting to ensure the base is level

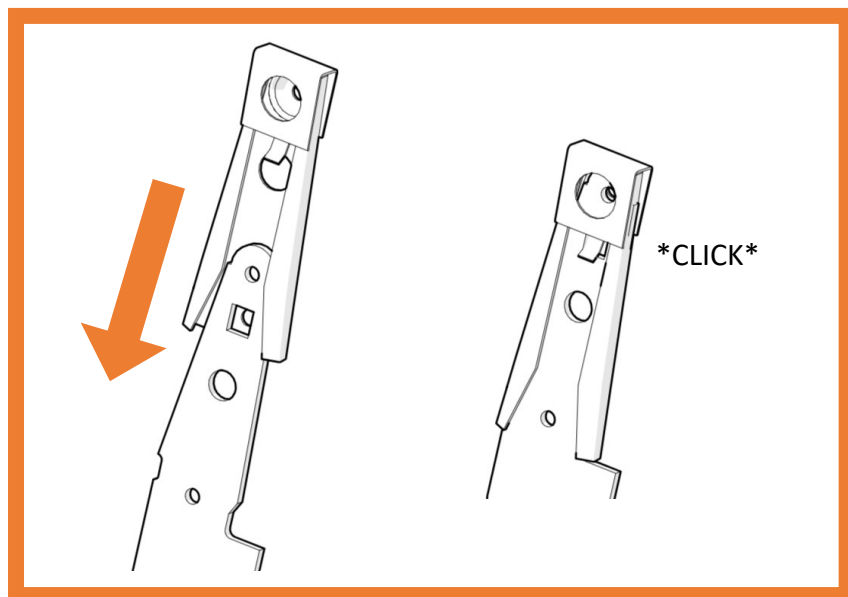


Twist each footpad to raise or lower it.

INSTALL BACK INTO CHAIR BASE

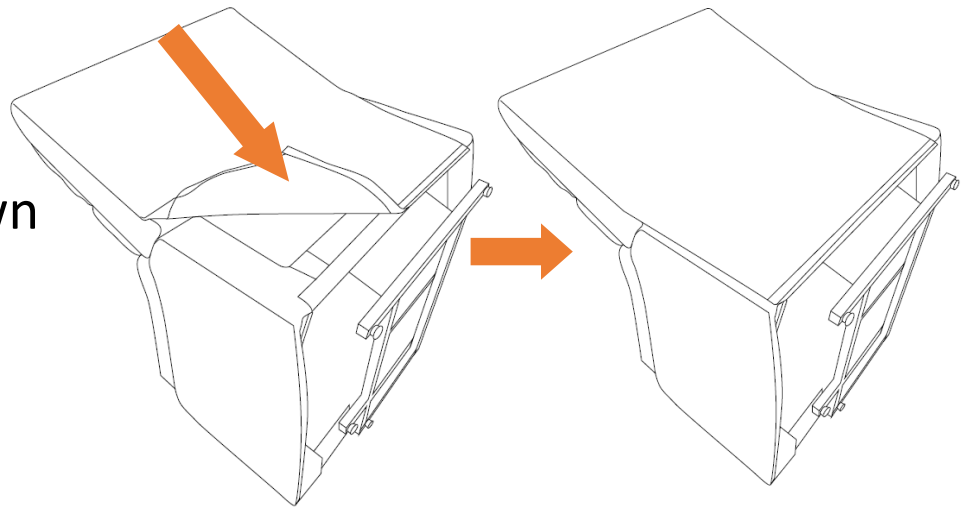


To install the back, align the female side on the back to the male side on the chair base and slide down until a click is heard.

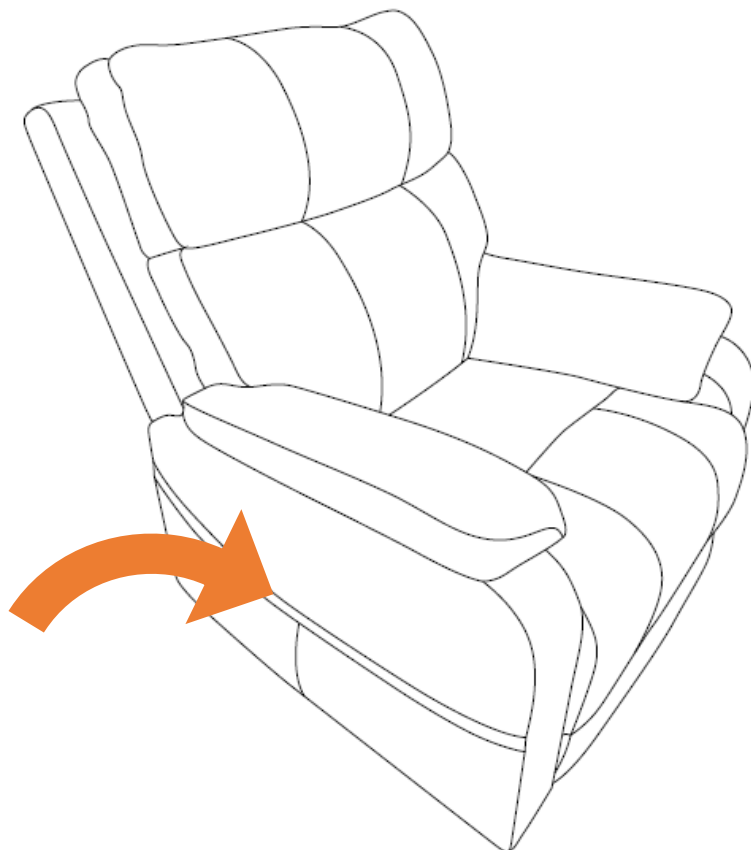


READY TO USE!

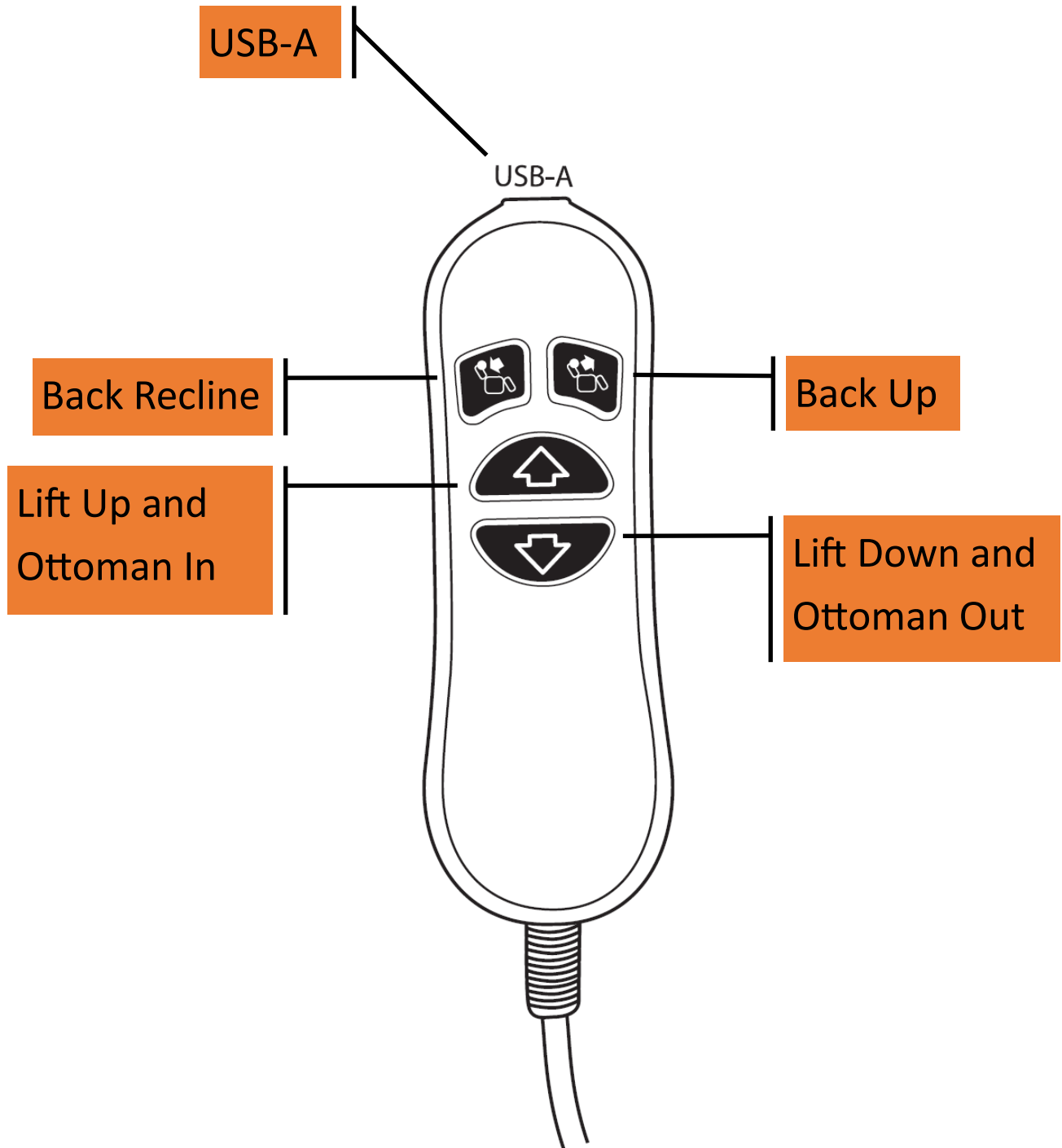
Pull the back down tight and secure with Velcro strip.



Controller located in side pocket.



LIFT MECH CONTROLLER DIAGRAM



The Vault



Universal Rechargeable Battery Backup For Lift Chairs & Adjustable Bed Bases



- In standby until needed, with automatic natural recharging at 80%
- Power outage detection, providing 24-72 hours of backup power*
- Automatic recharging when power is restored
- LED power display
- Short, audible low power alert warning at 15%, 12% & 10%

Connect inline

