

ME16A4021AS

SAMSUNG

1.6 cu. ft. Over-the-Range Microwave with Auto Cook



Signature Features

Auto Cook

- No more guesswork as to how long to microwave a dish. Just enter the food and weight and the pre-programmed setting will cook it perfectly.

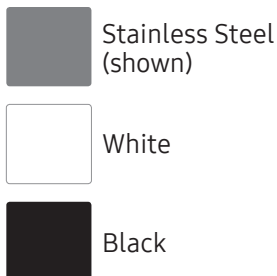
1.6 cu. ft. Capacity

- Accommodates a wide variety of snacks and meals.

2-Speed, 300 CFM Ventilation System

- Powerful 300 CFM ventilation fan quickly and quietly reduces unwanted steam, fumes and cooking odors.

Available Colors



1.6 cu. ft. Capacity



2-Speed, 300 CFM Ventilation System

Features

- Auto Cook
- 1.6 cu. ft. Oven Capacity
- 2-Speed, 300 CFM Ventilation System
- 1000 Watts of Cooking Power
- LED Display
- Charcoal/Grease Vent Filter
- 10 Power Levels
- Auto Defrost/Auto Reheat
- +30 Sec Button
- Turntable

Convenience

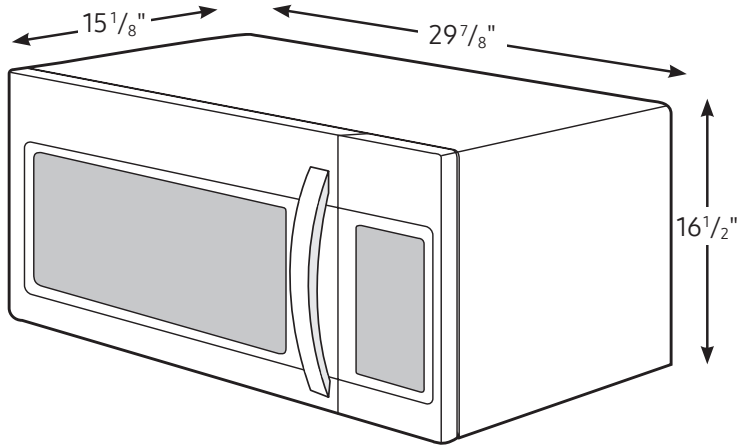
- Eco Mode (Reduces Standby Power)
- Kitchen Timer
- Interior Light: Incandescent (1)
- Cooktop Lighting: High/Low/Off
- Vent Fan Speed: Hi/Low

ME16A4021AS

SAMSUNG

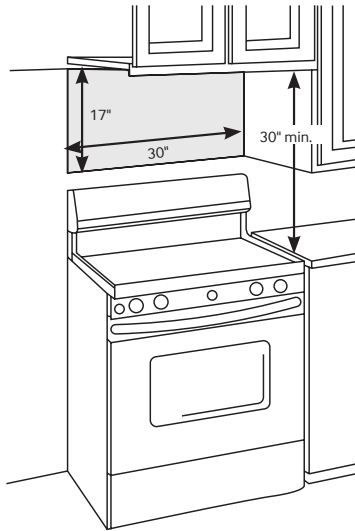
1.6 cu. ft. Over-the-Range Microwave with Auto Cook

Dimensions



Installing Your Microwave

- This microwave oven is designed for adaptation to the following three types of ventilation:
 - A. Outside Top Exhaust (Vertical Duct)
 - B. Recirculating (Non-Vented Ductless)
 - C. Outside Back Exhaust (Horizontal Duct)
- The space between the cabinets must be 30" wide and free of obstructions.
- This microwave oven is for installation over ranges up to 36" wide.
- The microwave must be level. Use a level to make sure the cabinet bottom is level. If the cabinets have a front overhang only, with no back or side frame, install the mounting plate down the same distance as the front overhang depth. This will keep the microwave level.



Specifications

- Oven Cavity: 1.6 cu. ft.
- Power Output: 1000W
- Power Consumption: 1580W/13.5 A
- Power Source: 120V/60 Hz
- Control Method: Digital (Membrane Touch)
- Display: LED
- Cooking Control: 10 Power Levels Including Defrost
- Cooking Timer: Digital, 99 Minutes, 99 Seconds
- Turntable
- Glass Turntable Diameter: 11 1/2"
- Vent Fan: 300 CFM
- Vent Fan Speed: Hi/Low
- Cooktop Lighting: High/Low/Off

Warranty

One (1) Year All Parts and Labor
Ten (10) Years Parts on Magnetron

Product Dimensions & Weight (WxHxD)

Cavity Dimensions: 19⁵/₁₆" x 9⁵/₈" x 14³/₈"
Outside Net Dimensions: 29⁷/₈" x 16¹/₂" x 15¹/₈"
Weight: 44.2 lbs. (Stainless Steel)
43.3 lbs. (White, Black)

Shipping Dimensions & Weight (WxHxD)

Dimensions: 33³/₈" x 19¹⁵/₁₆" x 19¹³/₃₂"
Weight: 51.8 lbs. (Stainless Steel)
50.8 lbs. (White, Black)

Color

Stainless Steel
White
Black

Model

ME16A4021AS
ME16A4021AW
ME16A4021AB

UPC Code

887276532936
887276532943
887276532929

FOR EASIER INSTALLATION AND PERSONAL SAFETY, WE RECOMMEND THAT TWO PEOPLE INSTALL THIS MICROWAVE OVEN. IMPORTANT: Do not grip or use handle during installation.

NOTE: If your cabinet is metal, use the nylon grommet around the power cord hole to prevent cutting of the cord.

NOTE: We recommend using filler blocks if the cabinet front hangs below the cabinet bottom shelf.

IMPORTANT: If filler blocks are not used, case damage may occur from overtightening screws.

NOTE: When mounting the microwave oven, thread power cord through hole in bottom of top cabinet. Do not pinch cord or lift oven by pulling cord.