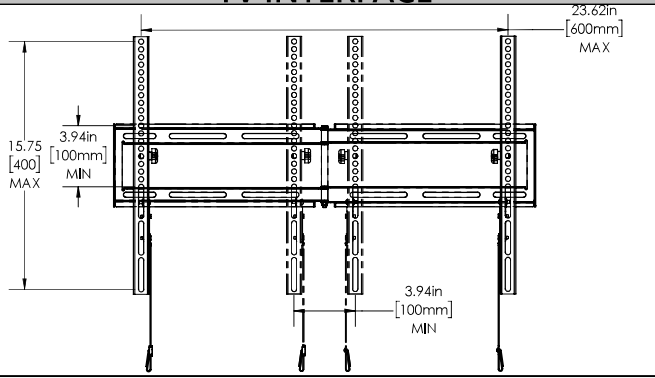


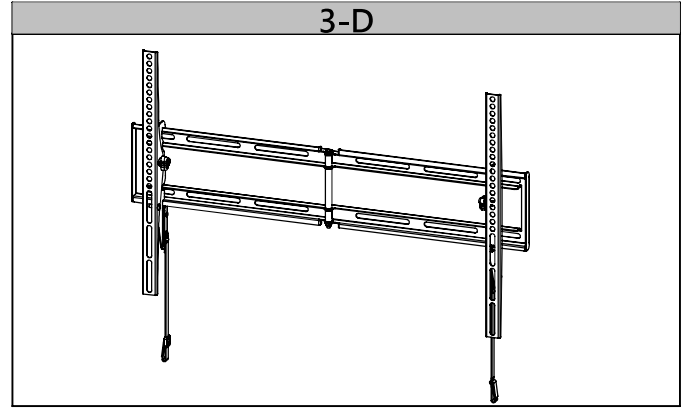
TV INTERFACE



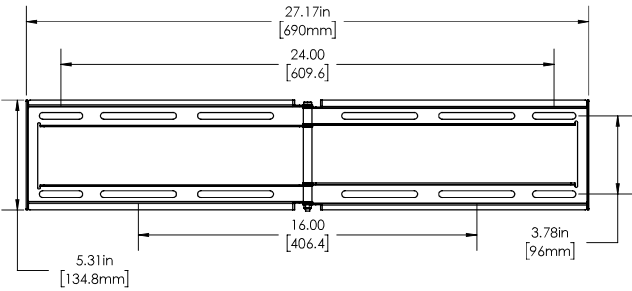
**LARGE TILT MOUNT, FOLDABLE
 6805-002510-XXX**

THE INFORMATION AND DESIGNS CONTAINED IN THIS DRAWING ARE CONFIDENTIAL AND THE PROPRIETARY PROPERTY OF LEGRAND | AV. NEITHER THIS DESIGN NOR ANY INFORMATION CONTAINED IN THIS DRAWING MAY BE REPRODUCED OR DISCLOSED TO OTHERS WITHOUT THE EXPRESS WRITTEN CONSENT OF LEGRAND | AV.
 本图纸所包含的信息和设计均系LEGRAND | AV 机密和知识产权。本图纸包含的设计和信息未经LEGRAND | AV 书面同意均不得复制或泄露给他人

3-D

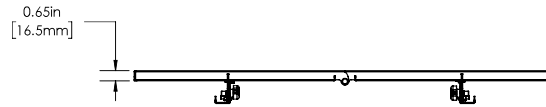


WALL PLATE

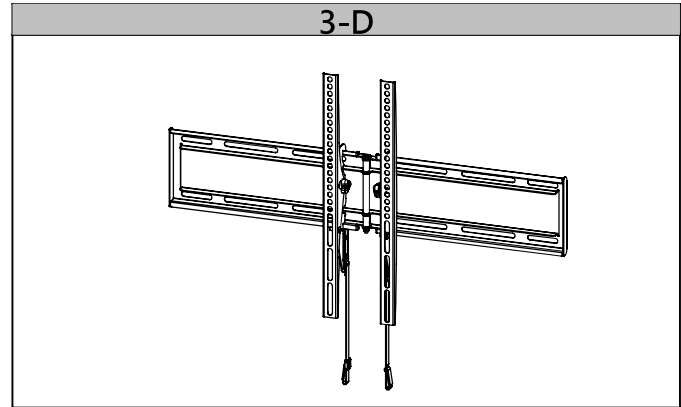


TOP VIEW - TV MOUNTED

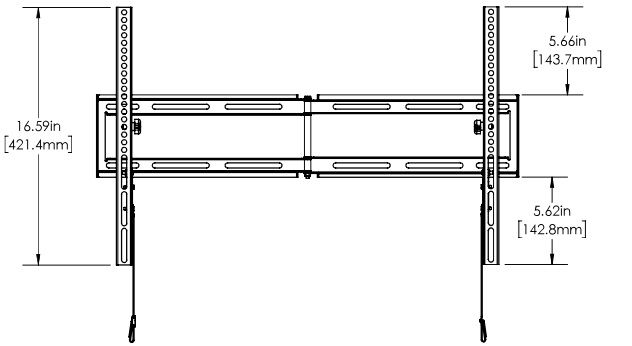
WALL IS ON TOP



3-D

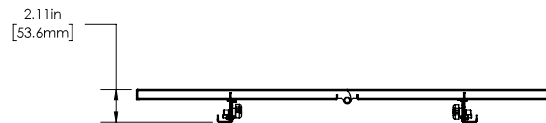


FULLY ASSEMBLED MOUNT



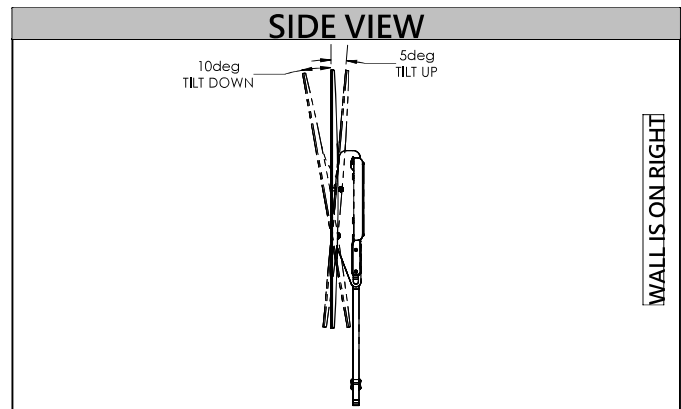
TOP VIEW

WALL IS ON TOP



SIDE VIEW

10deg TILT DOWN
 5deg TILT UP



LARGE TILT MOUNT, FOLDABLE 6805-002510-XXX

