

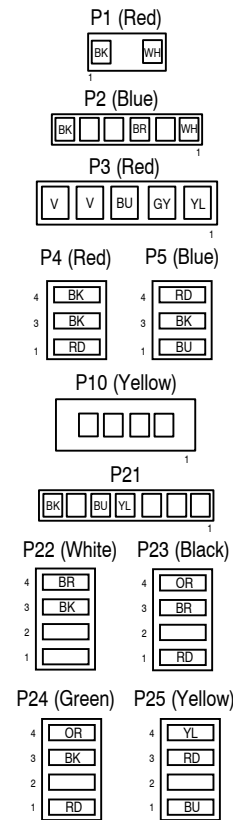
FOR SERVICE TECHNICIAN'S USE ONLY

Wiring Diagram

Do Not Remove Or Destroy

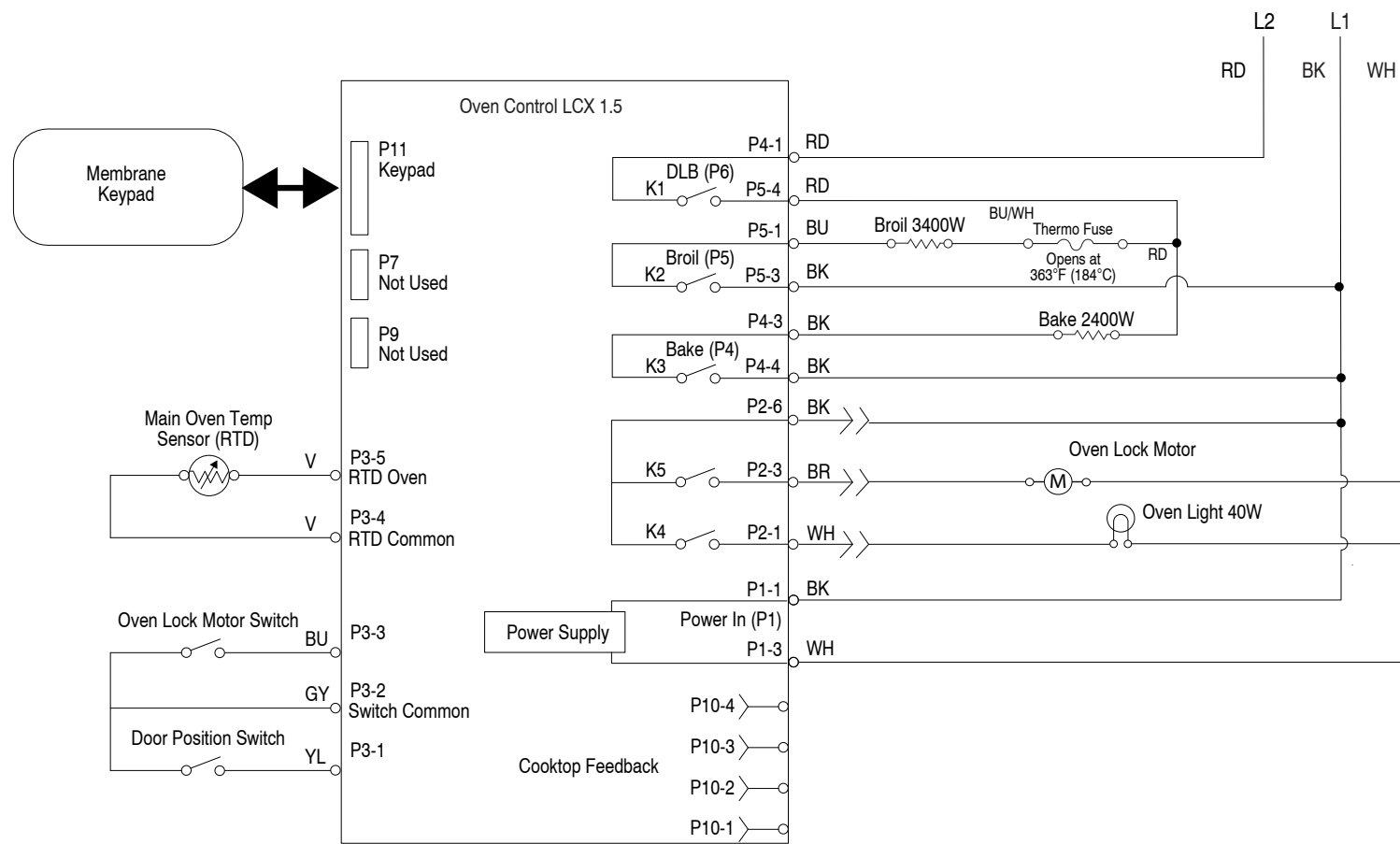
Quick Connect Plugs

P1 through P10 for oven controls
P21 through P25 for cooktop

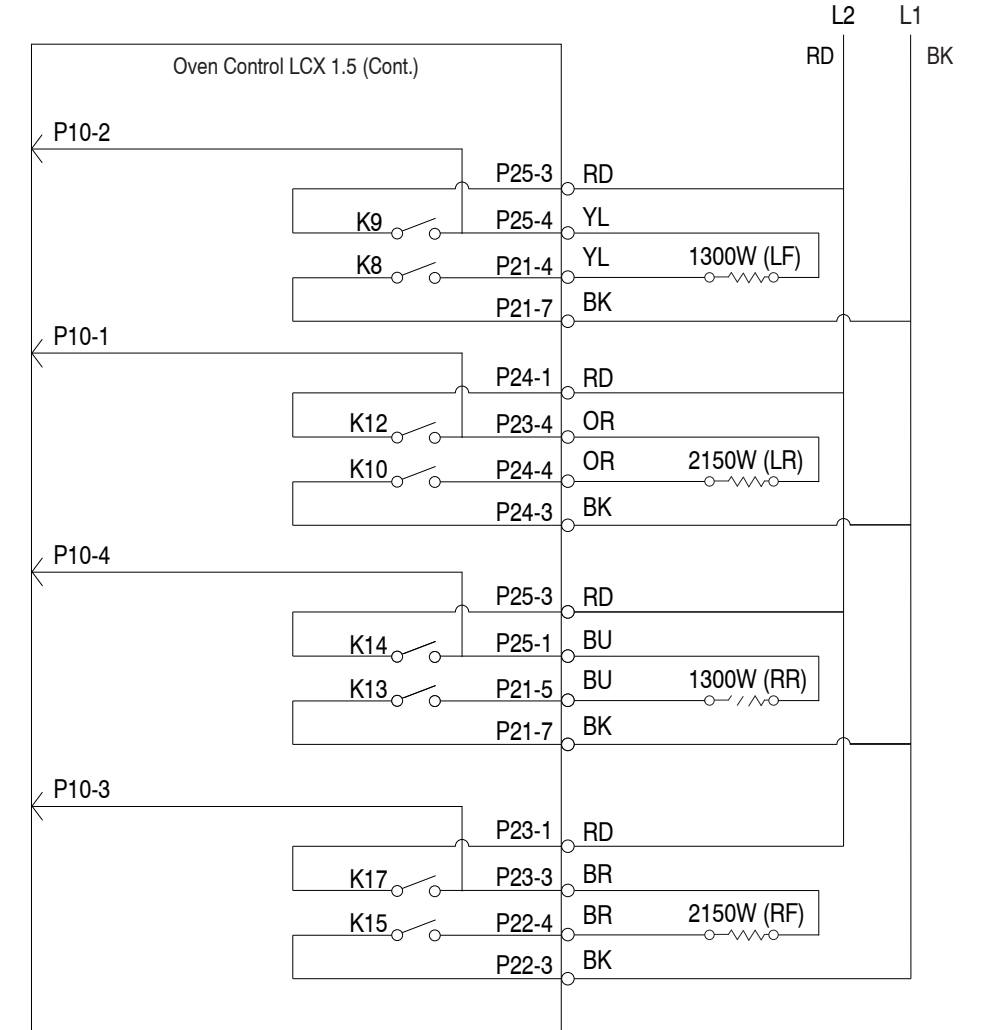


Oven Control Wiring Diagram

NOTE: Schematic shows oven door open and elements off.



Cooktop Wiring Diagram



LEGEND

Connection	No Connection	On Some Models	In Line Connection	Connector P2, Position 1	Circuitry Enclosed Within	Terminals	Single Switch	Thermal Switch (opens on heat rise)	Thermal Switch (closes on heat rise)	Resistor or Element	Motor	Incandescent Light	Non-resettable Fuse	Thermistor	Indicator Light	Triac	Thermo Fuse