



CLEANVIEW® MAX

TANGLE-FREE REWIND

UPRIGHT VACCUUM

MODELS 4073, 4073L

What's in the Box? 3

Assembly 3

Using the Vacuum 4

Emptying the Dirt Tank 5

Cleaning the Pre-Motor Filter 6

Maintaining the TurboEraser® Tool 6

Replacing the Brush Roll and Belt 7

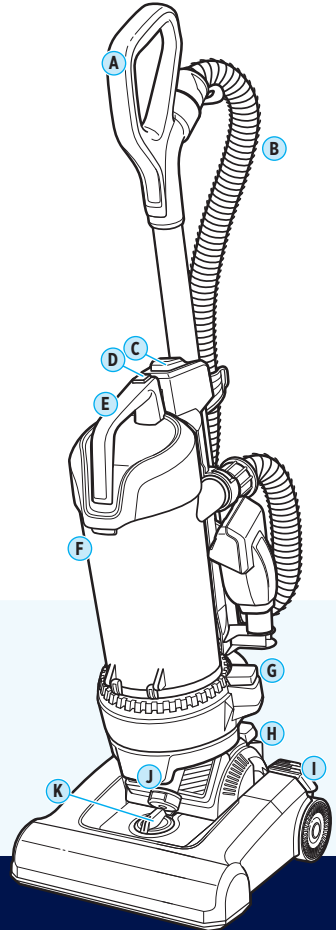
Clearing a Clog 7

Troubleshooting 7

Warranty 7

Product Overview

- | | |
|------------------------|-----------------------|
| A. Wand | G. Cord Rewind Button |
| B. Stretch Hose | H. Power Pedal |
| C. Wand Release Button | I. Recline Pedal |
| D. Tank Release Button | J. Swivel Steering |
| E. Carry Handle | K. Height Adjustment |
| F. Dirt Tank | |



Meet your new BISSELL® product!

Go to support.BISSELL.com for a walkthrough of your new purchase, including videos, tips, support, and more. Want to get started right away? This guide has all the information you need to set up your new product. Let's take a look...

IMPORTANT SAFETY INSTRUCTIONS



READ ALL INSTRUCTIONS BEFORE USING YOUR APPLIANCE.

When using an electrical appliance, basic precautions should be observed, including the following:

WARNING

TO REDUCE THE RISK OF FIRE, ELECTRIC SHOCK OR INJURY:

- Do not leave vacuum cleaner when it is plugged in. Unplug from outlet when not in use and before servicing.
- Do not use outdoors or on wet surfaces.
- Do not allow to be used as a toy. Close attention is necessary when used by or near children.
- Do not use for any purpose other than described in this user guide.
- Use only manufacturer's recommended attachments.
- Do not use with damaged cord or plug. If appliance is not working as it should, has been dropped, damaged, left outdoors, or dropped into water, have it repaired at an authorized service center.
- Do not pull or carry by cord, use cord as a handle, close a door on cord, or pull cord around sharp edges or corners. Do not run appliance over cord. Keep cord away from heated surfaces.
- Do not unplug by pulling on cord. To unplug, grasp the plug, not the cord.
- Do not handle plug or vacuum cleaner with wet hands.
- Do not put any object into openings. Do not use with any opening blocked; keep openings free of dust, lint, hair, and anything that may reduce air flow.
- Keep hair, loose clothing, fingers, and all parts of body away from openings and moving parts.
- Turn OFF all controls before plugging or unplugging vacuum cleaner.
- Use extra care when cleaning on stairs.
- Do not use to pick up flammable or combustible materials (lighter fluid, gasoline, kerosene, etc.) or use in areas where they may be present.
- Do not use vacuum cleaner in an enclosed space filled with vapors given off by oil-based paint, paint thinner, some moth-proofing substances, flammable dust, or other explosive or toxic vapors.
- Do not use to pick up toxic material (chlorine bleach, ammonia, drain cleaner, etc.).
- Do not pick up anything that is burning or smoking, such as cigarettes, matches or hot ashes.
- Do not use without filters in place.
- Do not pick up hard or sharp objects such as glass, nails, screws, coins, etc.
- Use only on dry, indoor surfaces.
- Keep appliance on a level surface.
- Do not carry the vacuum cleaner while it is running.
- Before using your vacuum, make sure the dirt tank is in locked position and that all filters, both pre- and post-filters, are in place. DO NOT operate your vacuum without these filters.
- Plastic film can be dangerous. To avoid danger of suffocation, keep away from children.
- Do not plug in your vacuum UNTIL you are familiar with all instructions and operating procedures.
- To reduce the risk of electrical shock, turn power switch OFF and disconnect polarized plug from electrical outlet BEFORE performing maintenance or troubleshooting checks.
- Hold plug when rewinding into cord reel. Do not allow plug to whip when rewinding.
- If the appliance has a hand-held accessory like pet brush, motor driven head, etc. the user shall avoid entrapment.
- Risk of injury from moving parts. Brush may start unexpectedly. Unplug before cleaning or servicing.
- Unplug before connecting or disconnecting the TurboEraser® Pet Tool and 2-in-1 Dusting Brush and Crevice Tool.



Do not wash the pleated filter. Replace with a new pleated filter every 6 months.

SAVE THESE INSTRUCTIONS





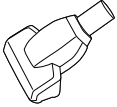
THIS MODEL IS FOR HOUSEHOLD USE ONLY. COMMERCIAL USE OF THIS UNIT VOIDS THE MANUFACTURER'S WARRANTY.

IMPORTANT INFORMATION

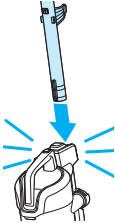
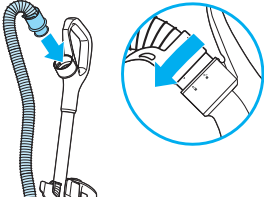
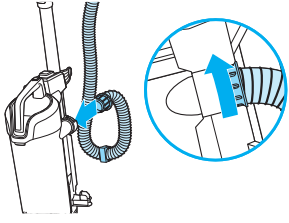
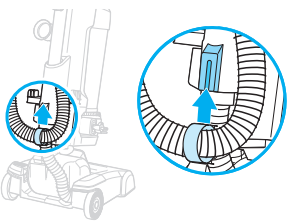
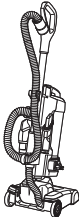
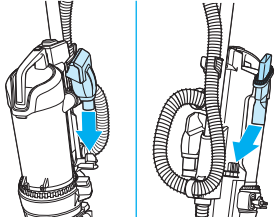
- Brush roll continues to turn while product is turned ON and handle is in use. To avoid damage to carpet, rugs, furniture and flooring, avoid tipping cleaner or setting it on furniture, fringed area rugs, or carpeted stairs during tool use.
- With brush roll on, do not allow cleaner to sit in one location for an extended period of time, as damage to floor can result.

THIS APPLIANCE HAS A POLARIZED PLUG To reduce the risk of electric shock, this appliance has a polarized plug (one blade is wider than the other). This plug will fit in a polarized outlet only one way. If the plug does not fit fully in the outlet, reverse the plug. If it still does not fit, contact a qualified electrician to install a proper outlet. Do not change the plug in any way.

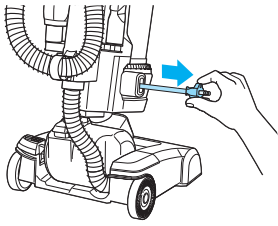
What's in the Box?

				
Base	Wand	Hose	2-in-1 Dusting Brush and Crevice Tool	TurboEraser® Pet Tool

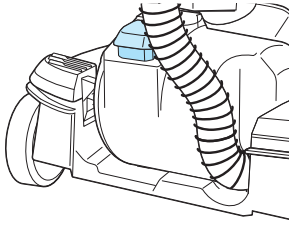
Assembly

		
1. Attach wand to vacuum base.	2. Attach stretch hose to wand and twist clockwise to lock into place.	3. Attach stretch hose to back of vacuum and twist clockwise to lock into place.
		
4. Attach hose clip to body of vacuum by sliding up until it clicks into place. Remove hose clip for extended cleaning reach when in use.	5. The hose should sit on the vacuum without any twists.	6. Attach tools to tool holders.

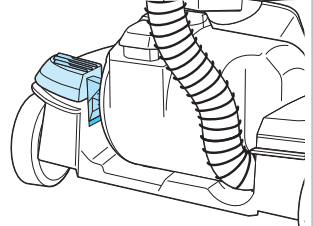
Using the Vacuum



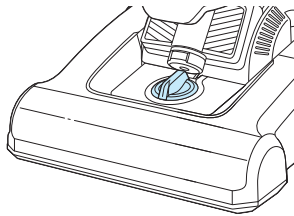
1. Gently pull the cord out, stopping at the yellow mark on the cord. Do not pull past the red mark.



2. Press the red power button with your foot to turn the vacuum ON (ⓘ) and OFF (⓪).

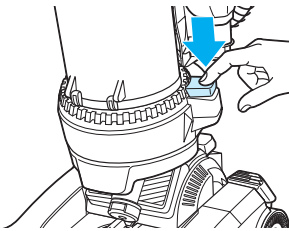


3. Press the recline pedal and pull handle back towards you.



4. Turn dial on foot to desired height setting. If dial is difficult to turn, tilt the vacuum back slightly to take the weight off the foot while turning.

Tip: For best performance, adjust to the lowest practical setting. If your vacuum is difficult to push, adjust to the next higher setting.



5. Hold onto the plug and press automatic cord rewind button until fully retracted. If cord doesn't fully retract on the first try, pull a little bit of cord out and press the rewind button again.

Note: Rotating floor brush continues to rotate while tools are in use. Never place fingers under the vacuum when it is running. Never place powerfoot on furniture or uneven surfaces.

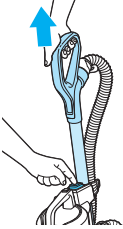
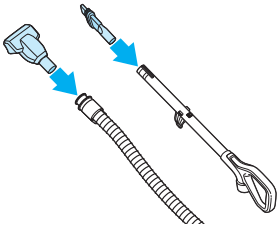
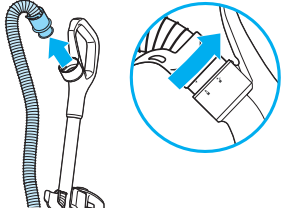
Certain carpets and low humidity conditions may generate small static discharges. Static discharges are entirely harmless and are not associated in any way with the main power supply.

⚠ WARNING To reduce the risk of injury from moving parts while the vacuum is turned ON, always move the vacuum via the rolling wheels by using the upper handle at the back of the vacuum. Do not carry the vacuum while it is running. Always place vacuum on floor with handle in upright position when using tools.

Using the Vacuum (continued)

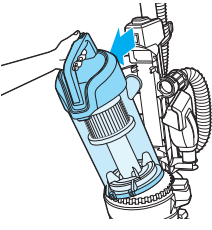
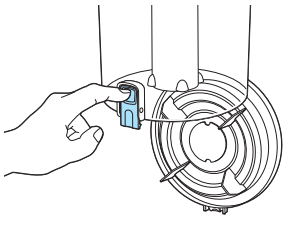
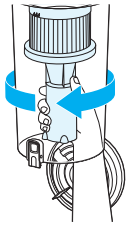
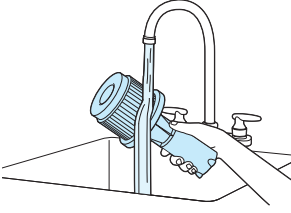
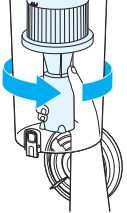
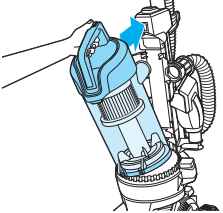
Above Floor Cleaning

Clean hard-to-reach spaces with the Quick Release Extension Wand.

		
<p>1. Press the wand release button to remove extension wand and attach desired tool.</p>	<p>2. Attach desired tool. Note: For optimal performance, attach the TurboEraser® Pet tool directly to the hose instead of the wand.</p>	<p>3. Twist hose counter-clockwise to remove from handle, if desired. To do so, twist circular hose cuff counter-clockwise and remove from handle.</p>

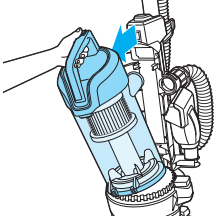
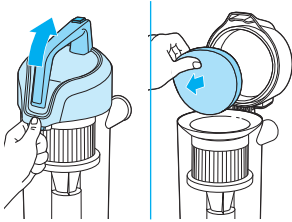
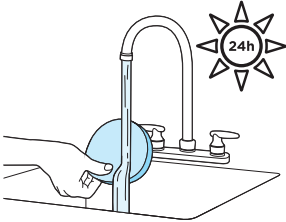
When finished using the machine, wrap cord around cord wrap for storage. Store unit indoors in a dry location in an area where the product is not likely to get damaged.

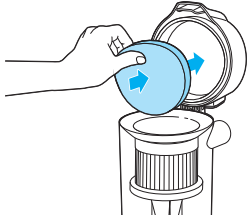
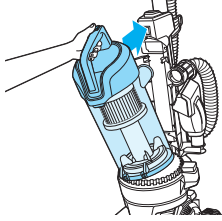
Emptying the Dirt Tank

		
<p>1. Press the tank release button and pull out to remove dirt tank.</p>	<p>2. Hold the dirt tank over a trash bin. Press the bottom release button to empty.</p>	<p>3. Twist cyclone counter-clockwise and pull down to remove from tank.</p>
		
<p>4. Clean cyclone with warm water and mild detergent. Let dry for 24 hours before reinstalling.</p>	<p>5. Twist cyclone clockwise to reinstall.</p>	<p>6. Place tank back on vacuum and press firmly until it clicks into place.</p>

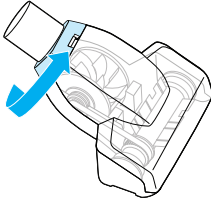
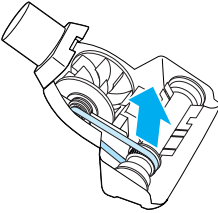
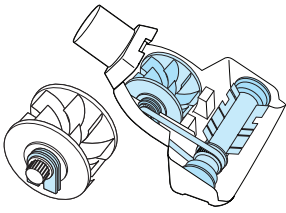
⚠ WARNING To reduce the risk of electric shock, turn power OFF and disconnect plug from electrical outlet before performing maintenance or troubleshooting checks.

Cleaning the Pre-Motor Filter

		
<p>1. Press the tank release button and pull out to remove dirt tank.</p>	<p>2. Lift release latch to access filter. Remove foam filter from lid.</p>	<p>3. Hand wash in warm water and rinse well; mild detergent may be used if desired. Let dry for 24 hours before reinstalling.</p>

	
<p>4. Reinstall foam filter and close lid.</p>	<p>5. Place tank back on vacuum and press firmly until it clicks into place.</p>

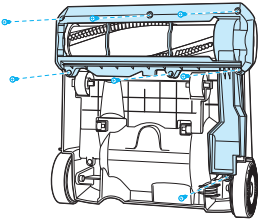
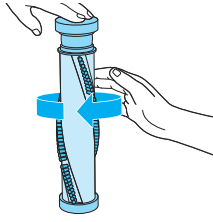
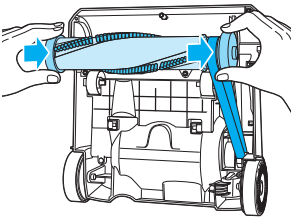
Maintaining the TurboEraser® Tool

		
<p>1. Twist gray collar counter-clockwise, until slot appears, then separate faceplate.</p>	<p>2. Remove brush roll, belt and paddle wheel. Inspect for damages and replace if necessary.</p>	<p>3. To reassemble, align two clips on each end of paddle wheel with belt on and pop back into place. Place brush roll with belt back in. Faceplate will not close properly if all parts are not aligned correctly.</p>

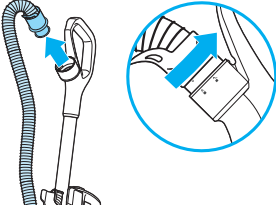
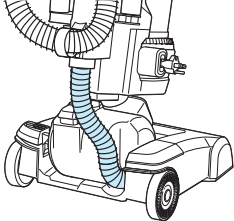
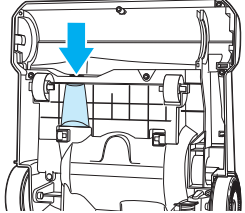
WARNING

- To reduce the risk of electric shock, turn power OFF and disconnect plug from electrical outlet before performing maintenance or troubleshooting checks.
- Do not operate vacuum with damp or wet filters or without all filters in place.

Replacing the Brush Roll and Belt

		
<p>1. Unplug vacuum, turn over and unscrew seven (7) Phillips-head screws to remove the bottom cover. Lift brush straight out.</p>	<p>2. Clean debris from brush roll. Inspect by placing on its end and spinning. The brush roll should spin freely, multiple times by one flick. If it doesn't, replace brush roll. Check belt for wear or cuts and replace if necessary.</p>	<p>3. Replace the brush roll and belt by looping the belt over the motor shaft and the brush roll. Line up the endcaps and pull the brush forward into place. This will stretch the belt. Return bottom cover back on and replace the screws.</p>

Clearing a Clog

		
<p>1. Remove the hose from the back of the vacuum by twisting it counter-clockwise. Remove any debris.</p>	<p>2. Check the foot hose on the back. If necessary, remove the screw from the foot hose and check for clogs.</p>	<p>3. Check the air passageway on the bottom of your vacuum. Remove the bottom cover and the brush. Remove any debris.</p>

Note: Any other maintenance or servicing not included in this manual should be performed by an authorized service representative.

Troubleshooting

For a comprehensive walkthrough of your product and support tips visit support.BISSELL.com.

Warranty

Limited 3-year warranty, may vary by state. Visit support.BISSELL.com or call 1-800-237-7691 for complete warranty information.

Terms and Conditions

Your purchase is subject to the BISSELL® Terms and Conditions, which includes dispute resolution through arbitration and class waiver. For complete terms or to opt out from arbitration or class waiver, visit BISSELL.com/terms-of-use or call 1-800-237-7691.

⚠ WARNING To reduce the risk of electric shock, turn power OFF and disconnect plug from electrical outlet before performing maintenance or troubleshooting checks.



Every purchase makes it possible for BISSELL to continue our support of BISSELL Pet Foundation® and its mission of saving pets in need. Since 2011, BISSELL has donated over \$26 million in support of BISSELL Pet Foundation®. When you purchase a BISSELL® product, you help save pets, too. Our products are engineered to clean even the toughest messes so pets can stay at home and out of shelters.

Visit [BISSELLsavespets.com](https://www.bissellsavespets.com) to learn more.

Need more support?

Head to [support.BISSELL.com](https://support.bissell.com) to troubleshoot, register your product, order spare parts, view your warranty, and more.



INFO



REGISTER



VIDEOS



PARTS



SUPPORT



©2025 BISSELL Inc. All rights reserved.
Part Number 1645905 01/25 v7



Cada compra hace posible que BISSELL continúe apoyando a BISSELL Pet Foundation® y su misión de salvar mascotas en situación de riesgo. Desde 2011, BISSELL ha donado más de 26 millones de dólares en apoyo a BISSELL Pet Foundation®. Cuando compra un producto BISSELL®, también ayuda a salvar mascotas. Nuestros productos han sido diseñados para limpiar incluso las suciedades más difíciles, de modo que las mascotas puedan permanecer en casa y alejadas de los refugios.

Visite [BISSELLsavespets.com](https://www.BISSELLsavespets.com) para obtener más información.

¿Necesita ayuda adicional?

Diríjase al [centro de ayuda.BISSELL.com](https://www.BISSELL.com) para solucionar problemas, registrar su producto, pedir piezas de repuesto, consultar su garantía y más.



INFORMACIÓN



REGISTRO



VIDEOS



PIEZAS



ASISTENCIA 24



ADVERTENCIA

Para reducir el riesgo de descarga eléctrica, apague el electrodoméstico y desconecte el enchufe de la toma de corriente antes de realizar el mantenimiento o las comprobaciones para la solución de problemas.

Términos y condiciones
 Su compra está sujeta a los Términos y condiciones de BISSELL®, que incluyen la resolución de disputas a través de arbitraje y la renuncia a demandas colectivas. Para conocer los términos completos o para renunciar al arbitraje o a la demanda colectiva, visite BISSELL.com/terms-of-use o llame al 1-800-237-7691.

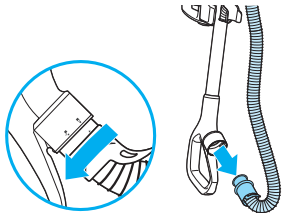
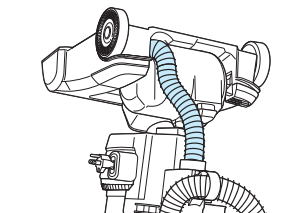
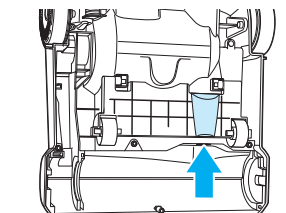
Garantía limitada de 3 años, puede variar según el estado. Visite el **centro de ayuda.BISSELL.com** o llame a 1-800-237-7691 para obtener información completa sobre la garantía.

Garantía

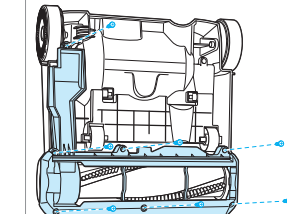
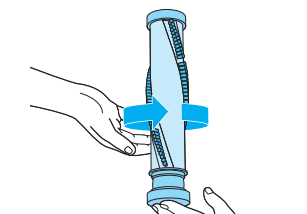
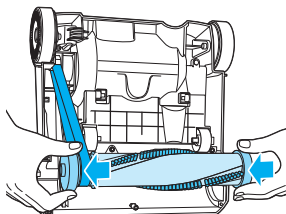
Para una guía completa de su producto y consejos de asistencia, visite el **centro de ayuda.BISSELL.com**.

Solución de problemas

Nota: Cualquier otro mantenimiento o servicio no incluido en este manual debe ser realizado por un representante de servicio autorizado.

<p>1. Retire la manguera de la parte posterior de la aspiradora girándola hacia la izquierda. Elimine cualquier residuo.</p>	<p>2. Revise la manguera de la base en la parte posterior. Si es necesario, retire el tornillo de la manguera de la base y verifique si hay obstrucciones.</p>	<p>3. Revise el conducto de aire en la parte inferior de su aspiradora. Retire la tapa inferior y el cepillo. Elimine cualquier residuo.</p>
		

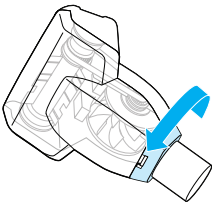
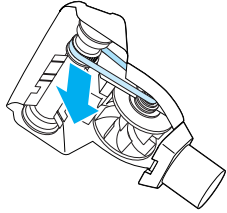
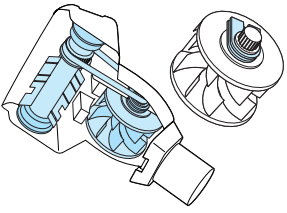
Eliminación de obstrucciones

<p>1. Desconecte la aspiradora, dele la vuelta sobre su extremo y haciéndolo girar libremente, varias veces con un movimiento rápido. Si no es así, revise la banda para ver si está gastada y cortada y reemplácela si es necesario.</p>	<p>2. Limpie los residuos del rodillo de cepillado. Inspeccione colocándolo sobre su extremo y haciéndolo girar. El rodillo de cepillado debería girar libremente, varias veces con un movimiento rápido. Si no es así, reemplace el rodillo de cepillado. Revise la banda para ver si está gastada y cortada y reemplácela si es necesario.</p>	<p>3. Reemplace el rodillo de cepillado y la banda de cepillado a la vez. Alinee las tapas de los extremos y jale el cepillo hacia adelante para colocarlo. Esto estrará la banda. Vuelva a colocar la tapa inferior y los tornillos.</p>
		

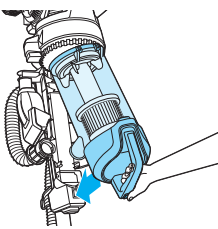
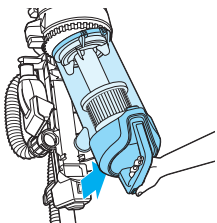
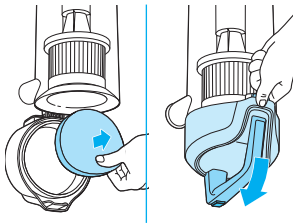
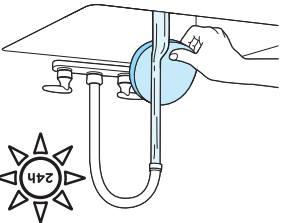
Reemplazo del rodillo de cepillado y la banda

⚠️ ADVERTENCIA

• Para reducir el riesgo de descarga eléctrica, apague la alimentación y desconecte el enchufe de la toma de corriente antes de realizar el mantenimiento o las verificaciones de solución de problemas.
 • No opere la aspiradora con filtros húmedos o mojados o sin todos los filtros en su lugar.

<p>1. Gire el anillo gris hacia la izquierda hasta que aparezca la ranura, luego separe la placa frontal.</p>	<p>2. Retire el rodillo de cepillado, la correa y la rueda de paletas. Revíselos para buscar daños y reemplácelos si es necesario.</p>	<p>3. Para volver a ensamblar, alinee dos clips en cada extremo de la rueda de paletas con la banda puesta y vuelva a colocarlos en su lugar. Vuelva a colocar el rodillo de cepillado con la correa. La placa frontal no se cerrará correctamente si todas las partes no están bien alineadas.</p>
		

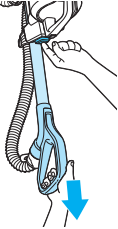
Mantenimiento de la herramienta TurboEraser®

<p>4. Vuelva a instalar el filtro de espuma y cierre la tapa.</p>	<p>5. Vuelva a colocar el tanque en la aspiradora y presione firmemente hasta que encaje en su lugar.</p>	
<p>1. Presione el botón de liberación del tanque y tire para retirar el tanque de suciedad.</p>	<p>2. Levante el pestillo de liberación para acceder al filtro. Retire el filtro de espuma de la tapa.</p>	<p>3. Lave a mano con agua tibia y enjuague bien; se puede usar un detergente suave si lo desea. Deje secar durante 24 horas antes de volver a instalarlo.</p>
		

Limpieza del filtro premotor

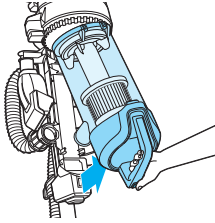
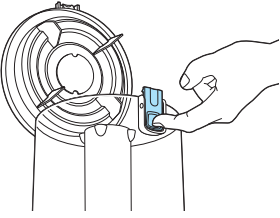
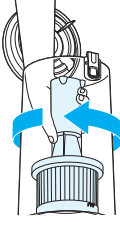
Limpieza de superficies elevadas

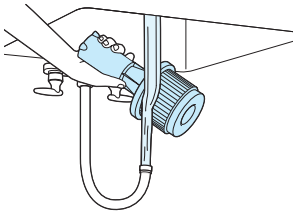
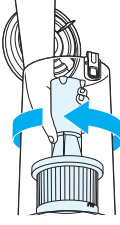
Limpie los espacios de difícil acceso con la varilla de extensión de liberación rápida.

		
<p>1. Presione el botón de liberación de la varilla para retirar la varilla de extensión y conectar la herramienta deseada.</p>	<p>2. Conecte la herramienta TurbEraser® directamente a la varilla. Coloque la herramienta en lugar de la varilla.</p>	<p>3. Gire la manguera hacia la izquierda para retraerla de la manija, si lo desea. Para hacerlo, gire el mango circular de la manguera hacia la izquierda y retirelo de la manija.</p>

Cuando haya terminado de usar el equipo, enrollé el cable alrededor del soporte para almacenamiento. Guarde la unidad en el interior en un lugar seco en un lugar donde sea poco probable que el producto se dañe.

Vaciado del tanque de suciedad

		<p>1. Presione el botón de liberación del tanque de suciedad para retraer el tanque de suciedad.</p>
<p>2. Sostenga el tanque de suciedad sobre una papelera. Presione el botón de liberación inferior para vaciar.</p>		<p>3. Gire el ciclón hacia la izquierda y tire hacia abajo para retraerlo del tanque.</p>

		<p>4. Limpie el ciclón con agua tibia y detergente suave. Deje secar durante 24 horas antes de volver a instalarlo.</p> <p>5. Gire el ciclón hacia la derecha para volver a instalarlo.</p> <p>6. Vuelva a colocar el tanque en la aspiradora y presione firmemente hasta que encaje en su lugar.</p>
--	---	--

ADVERTENCIA

Para reducir el riesgo de descarga eléctrica, apague el electrodoméstico y desconecte el enchufe de la toma de corriente antes de realizar el mantenimiento o las comprobaciones para la solución de problemas.

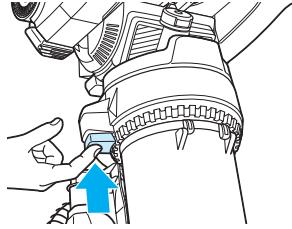
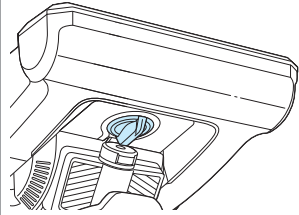
ADVERTENCIA

Para reducir el riesgo de lesiones por piezas en movimiento mientras la aspiradora está encendida, despiécala siempre a través de las ruedas de desplazamiento utilizando la manija superior situada en la parte posterior de la aspiradora. No cargue la aspiradora mientras está funcionando. Coloque siempre la aspiradora en el suelo con la manija en posición vertical al usar las herramientas.


Nota: El cepillo giratorio para suelo sigue girando mientras las herramientas están en uso. Nunca coloque los dedos debajo de la aspiradora cuando esté funcionando. Nunca coloque muebles o superficies irregulares. Ciertas alfombras y condiciones de baja humedad pueden generar pequeñas descargas estáticas. Las descargas estáticas son completamente inofensivas y no están asociadas de ninguna manera con la fuente de alimentación principal.

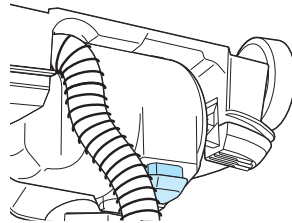
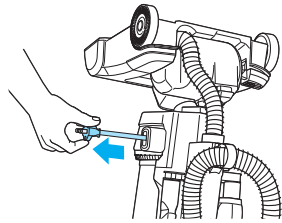
4. Gire la perilla en la base hasta la configuración de altura deseada. Si la perilla es difícil de girar, incline ligeramente la aspiradora para quitarle el peso a la base mientras gira. **Consejo:** para obtener el mejor rendimiento, ajuste a la configuración más baja posible. Si su aspiradora es difícil de empujar, ajuste a la siguiente configuración más alta.

5. Mantenga el enchufe y presione el botón de enrollado automático del cable hasta que se enrolle por completo. Si el cable no se retrae completamente en el primer intento, saque un poco de cable y presione el botón de enrollado nuevamente.

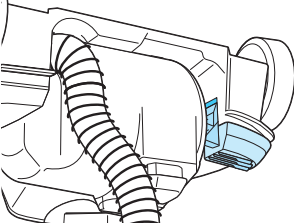


1. Tire suavemente del cable, deteniéndose en la marca amarilla en este. No tire más allá de la marca roja.





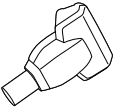
2. Presione el botón rojo de encendido con el pie para aspiradora  y apagar la aspiradora.



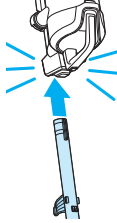
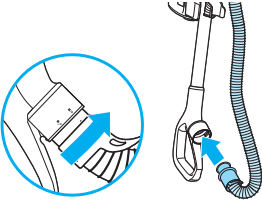
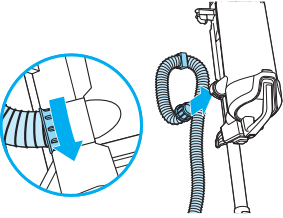
3. Presione el pedal de inclinación y tire de la manija hacia usted.

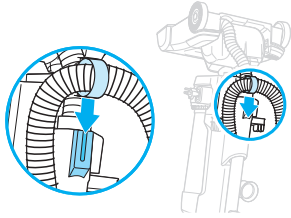
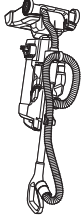
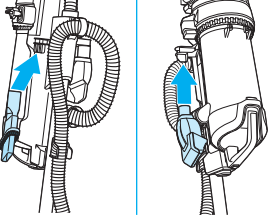


¿Qué hay en la caja?

	Base
	Varilla
	Manguera
	Cepillo 2 en 1 para polvo y boquilla para ranuras
	Herramienta para mascotas® TurboEraser®

Ensamblaje

	1. Conecte la varilla a la base de la aspiradora.
	2. Conecte la manguera elástica a la varilla y haga la girar a la derecha para asegurarla en su lugar.
	3. Conecte la manguera elástica a la parte posterior de la aspiradora y haga la girar a la derecha para asegurarla en su lugar.

	4. Conecte el clip de la manguera al cuerpo de la aspiradora deslizando el clip de la manguera para un mejor alcance de limpieza cuando esté en uso.
	5. La manguera debe colocarse sobre la aspiradora sin torsiones.
	6. Conecte las herramientas a los portaherramientas.

ESTE ELECTRODOMÉSTICO TIENE UN ENCHUFE POLARIZADO

Para reducir el riesgo de descarga eléctrica, este equipo tiene un enchufe polarizado (una clavija es más ancha que la otra). Este enchufe solo encajará en una toma de corriente polarizada de una manera. Si el enchufe no encaja completamente en la toma de corriente, invierta el enchufe. Si aun no encaja, póngase en contacto con un electricista calificado para instalar una toma de corriente adecuada. No cambie el enchufe de ninguna manera.

INFORMACIÓN IMPORTANTE

El rodillo de cepillado sigue girando mientras el producto está encendido y la manija está en la alfombra, las alfombras, los muebles y los suelos, evite volcar el limpiador o colocarlo en muebles, alfombras con flecos o escaleras alfombradas durante el uso de la herramienta. • Con el rodillo de cepillado encendido, no permita que el limpiador permanezca en un lugar por mucho tiempo, ya que puede dañar el suelo.

GUARDE ESTAS INSTRUCCIONES ESTE MODELO ES SOLO PARA USO DOMÉSTICO. EL USO COMERCIAL DE ESTA UNIDAD ANULA LA GARANTÍA DEL FABRICANTE.

No lave el filtro plisado. Reemplace el filtro plisado cada 6 meses.



- No use para recoger materiales inflamables o combustibles (líquido de encendedor, gasolina, queroseno, etc.) ni la use en áreas donde estos materiales puedan estar presentes.
- No la use para limpiar escaleras.
- Tenga especial cuidado al limpiar alfombras.
- APAGUE todos los controles antes de enchufar o desenchufar la aspiradora.
- Mantenga el cable, la ropa suelta, los dedos y todas las partes del cuerpo lejos de las aberturas y las partes móviles.
- No coloque objetos sobre las aberturas. No la use si alguna abertura está bloqueada; mantenga las aberturas libres de polvo, pelusas, cable y cualquier objeto que pueda reducir el flujo de aire.
- No manipule el enchufe o la aspiradora con las manos mojadas; enchufe, no del cable.
- No desenchufe tirando del cable. Para desenchufar, agarre del cable lejos de las superficies calientes.
- No pase el electrodoméstico sobre el cable. Mantenga el cable lejos de la alfombra para reducir el riesgo de quemaduras o lesiones.
- No tire ni cargue del cable, no use el cable como manija, no cierre una puerta sobre el cable ni tire del cable alrededor de bordes o esquinas autorizados.
- No utilice con un cable o enchufe dañado. Si el electrodoméstico no funciona correctamente, se ha caído, dañado, dejado al aire libre o sumergido en agua, llévelo a reparar en un centro de servicio autorizado.
- Utilice solo los accesorios recomendados por el fabricante.
- No utilice este electrodoméstico para ningún propósito que no esté descrito en esta guía de usuario.
- No permita que se utilice como juguete. Se requiere mucha atención cuando se utiliza por o cerca de los niños.
- No utilice el aire libre o en superficies mojadas.
- No recarga nada que esté ardiendo o humeando, como cigarrillos, fósforos o cenizas calientes.
- No recija objetos duros o afilados como vidrio, clavos, tornillos, monedas, etc.
- Solo utilice en superficies secas y en interiores.
- Mantenga el electrodoméstico en una superficie nivelada.
- No cargue la aspiradora mientras esté funcionando.
- Antes de usar su aspiradora, asegúrese de que el tanque de suciedad esté en posición bloqueada y que todos los filtros, tanto los prefiltros como los postfiltros, estén en su lugar. No haga funcionar su aspiradora sin estos filtros.
- La película de plástico puede ser peligrosa. Para evitar el peligro de asfixia, mantenga lejos del alcance de los niños.
- No conecte su aspiradora hasta que esté familiarizado con todas las instrucciones y procedimientos de operación.
- Para reducir el riesgo de descarga eléctrica, apague el interruptor de encendido y desconecte el enchufe polarizado de la toma de corriente o las comprobaciones de solución de problemas.
- Sostenga el enchufe cuando vuelva a enrollar en el carrete del cable. No deje que el enchufe se mueva al enrollarse.
- Si el electrodoméstico tiene un accesorio portátil como cepillo para mascotas, cabezal accionado por motor, etc., el usuario debe evitar que quede atrapado.
- Inesperadamente. Desenchufe antes de limpiarlo o revisarlo.
- Desconecte antes de conectar o desconectar la herramienta para ranuras 2-in-1.

ADVERTENCIA

PARA REPUCIR EL RIESGO DE INCENDIOS, DESCARGAS ELÉCTRICAS O LESIONES:

- No utilice la aspiradora en un espacio cerrado lleno de vapores emitidos por pintura a base de aceite, diluyente de pintura, algunas sustancias para proteger de las polillas, polvo inflamable u otros vapores explosivos o tóxicos.
- No lo use para recoger material tóxico (color, amoníaco, limpiador de desajustes, etc.).
- No recija nada que esté ardiendo o humeando, como cigarrillos, fósforos o cenizas calientes.
- No use sin los filtros colocados.
- No recija objetos duros o afilados como vidrio, clavos, tornillos, monedas, etc.
- Solo utilice en superficies secas y en interiores.
- Mantenga el electrodoméstico en una superficie nivelada.
- No cargue la aspiradora mientras esté funcionando.
- Antes de usar su aspiradora, asegúrese de que el tanque de suciedad esté en posición bloqueada y que todos los filtros, tanto los prefiltros como los postfiltros, estén en su lugar. No haga funcionar su aspiradora sin estos filtros.
- La película de plástico puede ser peligrosa. Para evitar el peligro de asfixia, mantenga lejos del alcance de los niños.
- No conecte su aspiradora hasta que esté familiarizado con todas las instrucciones y procedimientos de operación.
- Para reducir el riesgo de descarga eléctrica, apague el interruptor de encendido y desconecte el enchufe polarizado de la toma de corriente o las comprobaciones de solución de problemas.
- Sostenga el enchufe cuando vuelva a enrollar en el carrete del cable. No deje que el enchufe se mueva al enrollarse.
- Si el electrodoméstico tiene un accesorio portátil como cepillo para mascotas, cabezal accionado por motor, etc., el usuario debe evitar que quede atrapado.
- Inesperadamente. Desenchufe antes de limpiarlo o revisarlo.
- Desconecte antes de conectar o desconectar la herramienta para ranuras 2-in-1.

Al usar un electrodoméstico, se deben observar precauciones básicas, incluyendo lo siguiente:



LEA TODAS LAS INSTRUCCIONES ANTES DE USAR SU APARATO.

INSTRUCCIONES IMPORTANTES DE SEGURIDAD



CLEANVIEW® MAX

REBOBINADO SIN ENREDOS

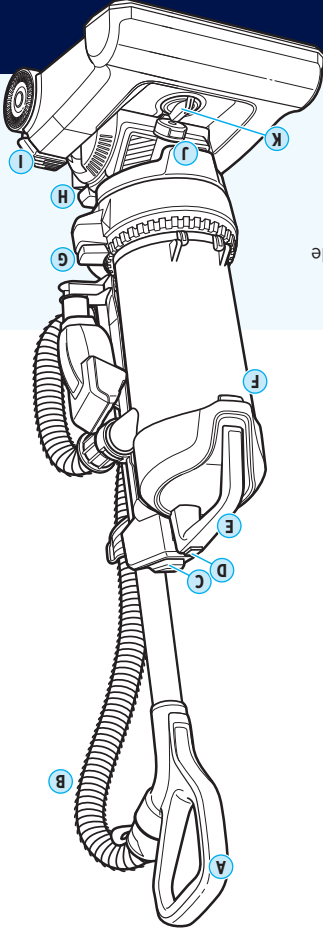
ASPIRADORA VERTICAL

MODELOS 4073, 4073L

- ¿Qué hay en la caja? 3
- Ensamblaje 3
- Uso de la aspiradora 4
- Vaciado del tanque de suciedad 5
- Limpieza del filtro premotor 6
- Mantenimiento de la herramienta TurboEraser® 6
- Reemplazo del rodillo de cepillado y la banda 7
- Eliminación de obstrucciones 7
- Solución de problemas 7
- Garantía 7

Descripción general del producto

- A. Varilla
- B. Manguera extensible
- C. Botón de liberación de la varilla
- D. Botón de liberación del tanque
- E. Manija de transporte
- F. Tanque de suciedad
- G. Botón de enrollado del cable
- H. Pedal de encendido
- I. Pedal de reclinación
- J. Dirección giratoria
- K. Ajuste de altura



¡Conozca su nuevo producto BISSELL!

Consulte el centro de [asistencia.BISSELL.com](https://www.asistencia.bissell.com) para una guía de su nueva compra, con vídeos, consejos, asistencia y más. ¿Quiere empezar ya mismo? Esta guía contiene toda la información que necesita para configurar su nuevo producto. Vamos a echar un vistazo...

