

Classic Compact 24" Microwave with grill Oven

SOCU2300MX
Stainless steel



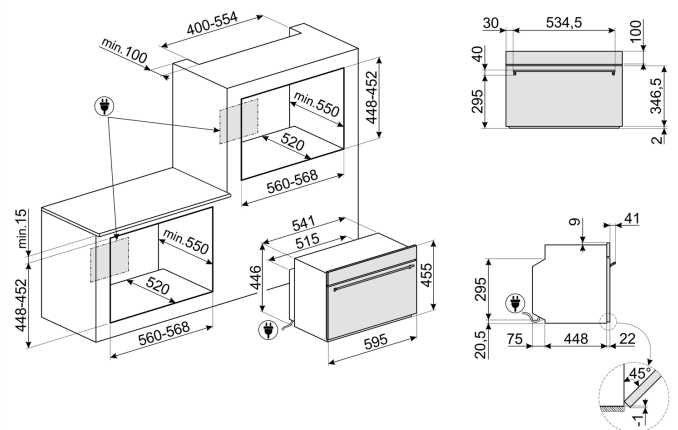
Electrical Connection

Voltage	240 V
Frequency	60 Hz
Current	14.2 A
Plug	No
Power cord length	59 1/16 "

Logistic Information

Width	23 7/16 "
Height	17 15/16 "
Depth	21 5/16 "
Net weight	81 lbs

Product dimension drawing



Features

Ever Clean Enamel - Facilitated cavity cleaning due to special pyrolytic enamel

Technical Features

No. of shelf positions	2
No. of lights	1
Cavity material	Stainless steel
Grill element - power	1200 W
Display technology	LED

Accessories



KIT4300MX

Trim kit for 45 cm ovens to reach 30"

Programs / Functions

No. of cooking functions	3
Traditional cooking functions	Broil
Microwave functions	Microwave, Microwave + Grill