

Professional Range 36"

SPR36UIMAN
Matte Black
Full electric



Compact-design range with electric oven and induction or ceramic glass cooktop: the perfect mix of style, quality and technology thanks to homogeneous and instantaneous heat, maximum safety and attention to consumption.

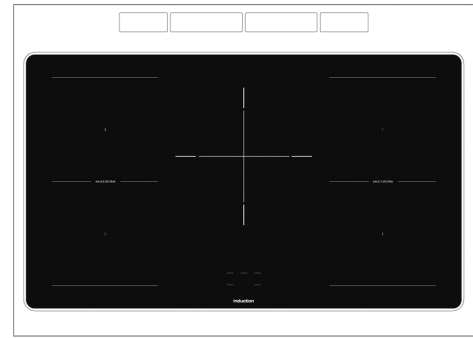
Features

Induction hob - Induction offers fast cooking and precise temperature control

Touch control - Easy and intuitive timer setting with a single touch

Tangential cooling - New cooling system with tangential fan and airflow from the door to the splashback

True-convection - The best cooking performances guaranteed by ventilated circular flow.



Cooktop technical features

Cooking zones	5
Front-left - 1300 W - Booster 1400 W	
Rear-left - 2300 W - Booster 3000 W	
Center - 2300 W - Booster 3000 W	
Rear-right - 1300 W - Booster 1400 W	
Front-right - 2300 W - Booster 3000 W	

Aesthetic

Series	Professional
Color	Matte Black

General information

Range size	36"
Range type	Full electric

Programs / Functions

Cleaning functions	VaporClean
No. of cooking functions	8

Main oven options

Minimum Temperature	151 °F
Maximum temperature	500 °F

Main Oven Technical Features

Volume	4.45 cu. ft.
Cavity material	EverClean enamel
No. of shelves	5
Removable inner door	Yes
Total no. of door glasses	3
Soft Close system	Yes

Included accessories

Oven wire rack 2

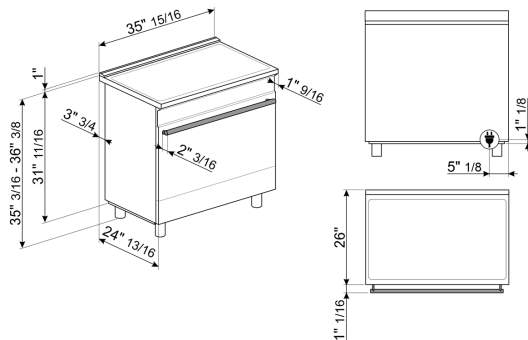
Electrical Connection

Circuit breaker 50 A
 Voltage 208/240 V
 Frequency 60 Hz

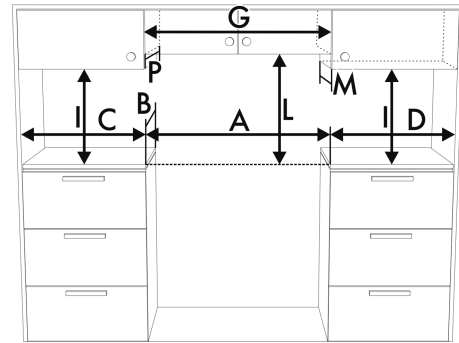
Logistic Information

Width 35 7/8 "
 Depth 26 "
 Height 35 3/16 "
 Net weight 218 lbs

Product dimension drawing



Product installation drawing



A	24"	610 mm
B	25"	630 mm
C ¹	see user manual	
D ¹	see user manual	
G ²	24"	610 mm
I ³	18"	457 mm
L	see user manual	
M ⁴	13"	330 mm
P ⁴	13"	330 mm

Accessories



GT3T
 Total-extraction telescopic guides



KITTKSPR36
 Plinth, 3 sides, 900mm, SPR cookers 30", black



PALPZ
 Pizza shovel with fold away handle

Color option



SPR36UIMMW
 Color: Matte White



SPR36UIMX
 Color: Stainless steel