

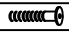


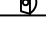

Read this instruction carefully. See hardware and furniture part list for guidance. Be sure all parts are complete, before you assemble. Place all wooden furniture parts on a clean and flat soft surface to prevent from being scratched. Follow the figure to start assembling.

CAUTIONS : 1. Do not FULLY - TIGHTEN the nut or nut bolt until all nut or bolt is ready assembled.
 2. Do not OVER - TIGHTEN the nut or bolt to avoid causing damages to the thread.
 3. Keep all hardware parts out of reach of children.

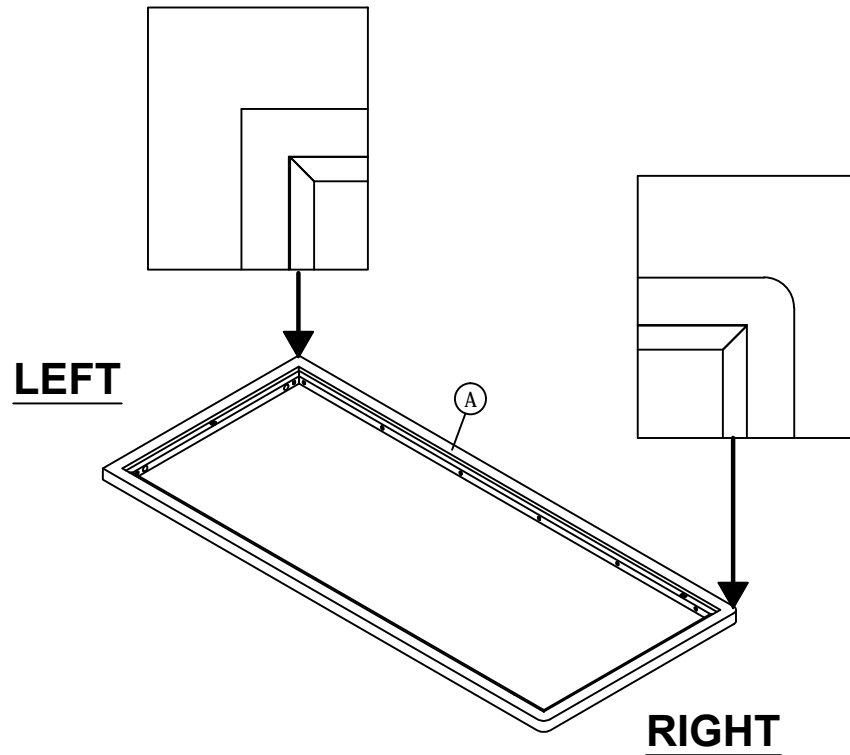
NOTE : THE LIST AND QUANTITY SHOWN ARE FOR 1 UNIT ASSEMBLY.

Tool needed : Screwdriver (not provider).

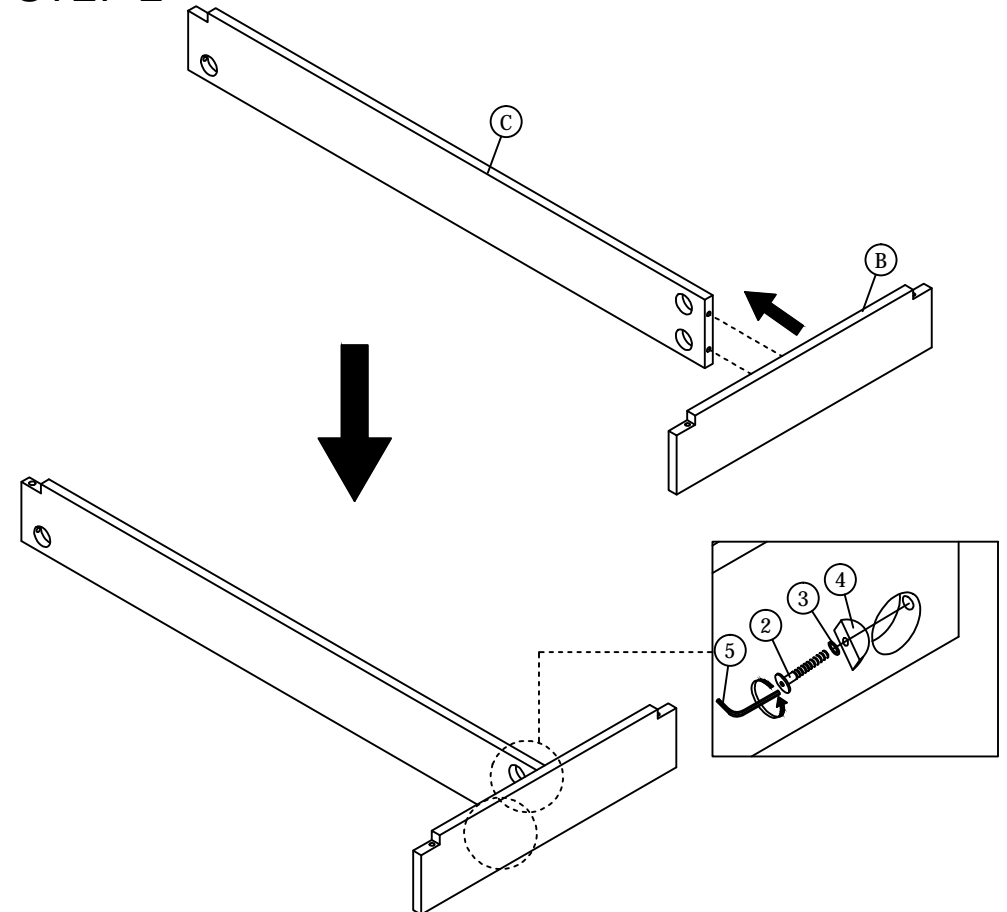
PART LIST			
ITEM	DESCRIPTION	BOX	QTY
A	SEAT FRAME	1	1 PC
B	LEG (1)	1	1 PC
C	LEG (2)	1	1 PC
D	ARM	1	1 PC
E	SEAT FRAME BOARD	1	1 PC
F	CUSHION	1	1 PC
G	ARM TOP	1	1 PC

HARDWARE LIST (BOX : 1)		
ITEM	DESCRIPTION	QTY
1	JCBB BOLT M8 x 40mm 	3 PCS
2	JCBB BOLT M8 x 60mm 	5 PCS
3	M8 SPRING WASHER 	8 PCS
4	KD FITTING ZDC HALF MOON M8 (RB) 	3 PCS
5	M5 ALLEN KEY (BALL SHAPE) 	1 PC

STEP 1



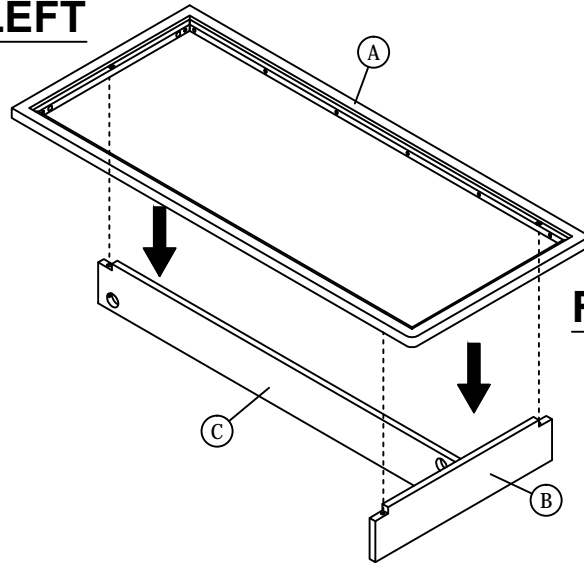
STEP 2



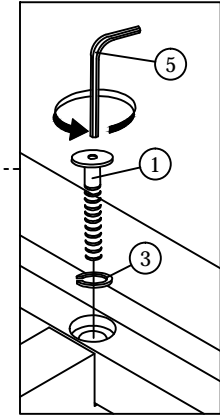
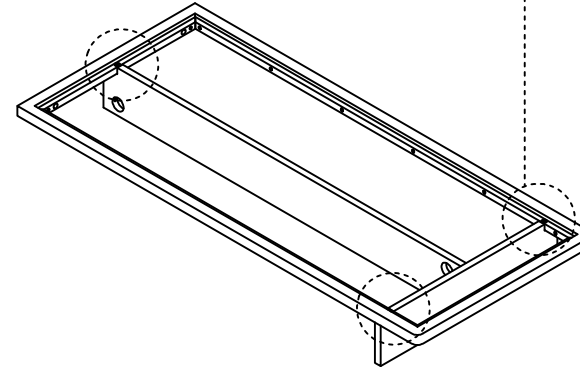
ASSEMBLY INSTRUCTIONS

STEP 3

LEFT

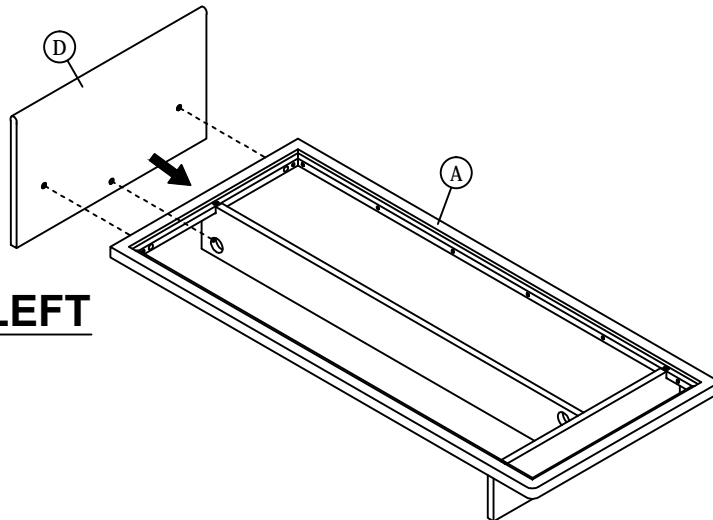


RIGHT



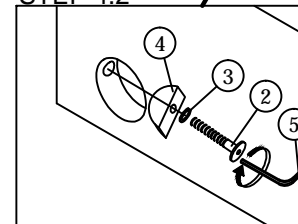
STEP 4

LEFT

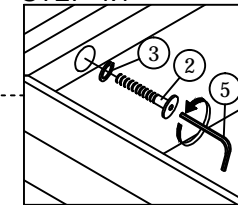


RIGHT

STEP 4.2

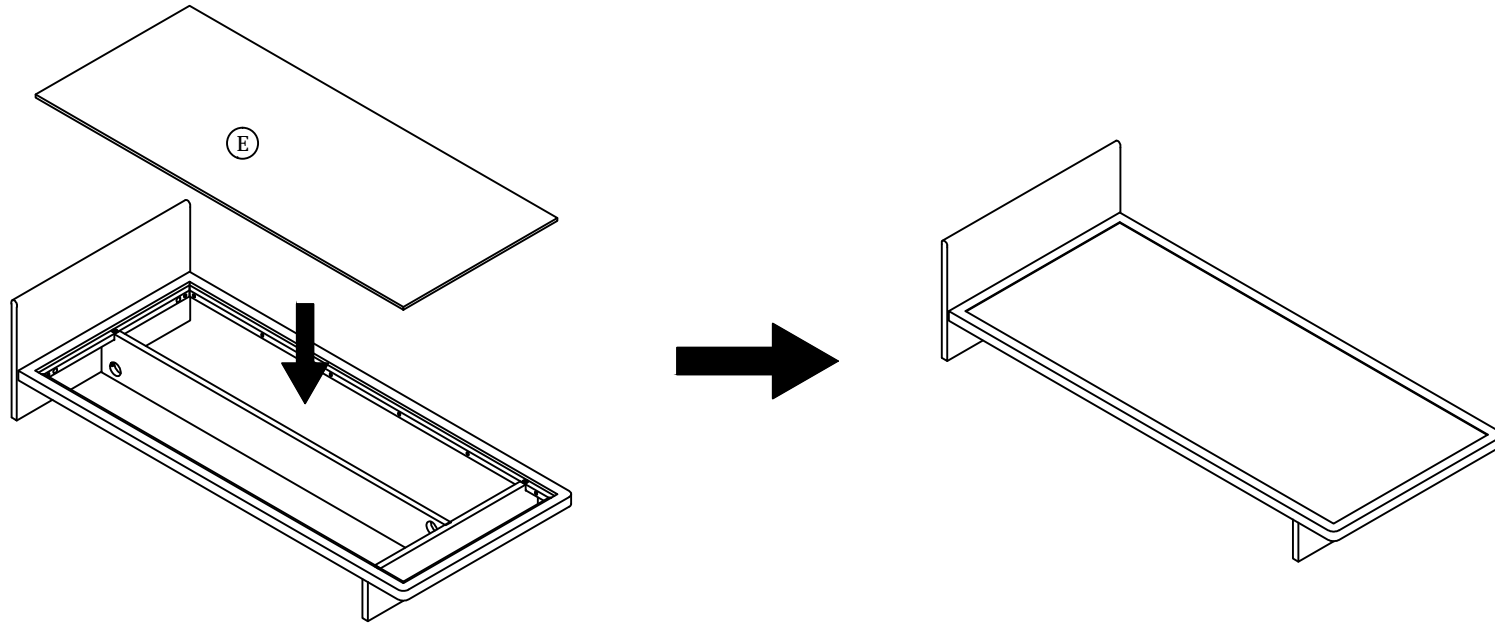


STEP 4.1

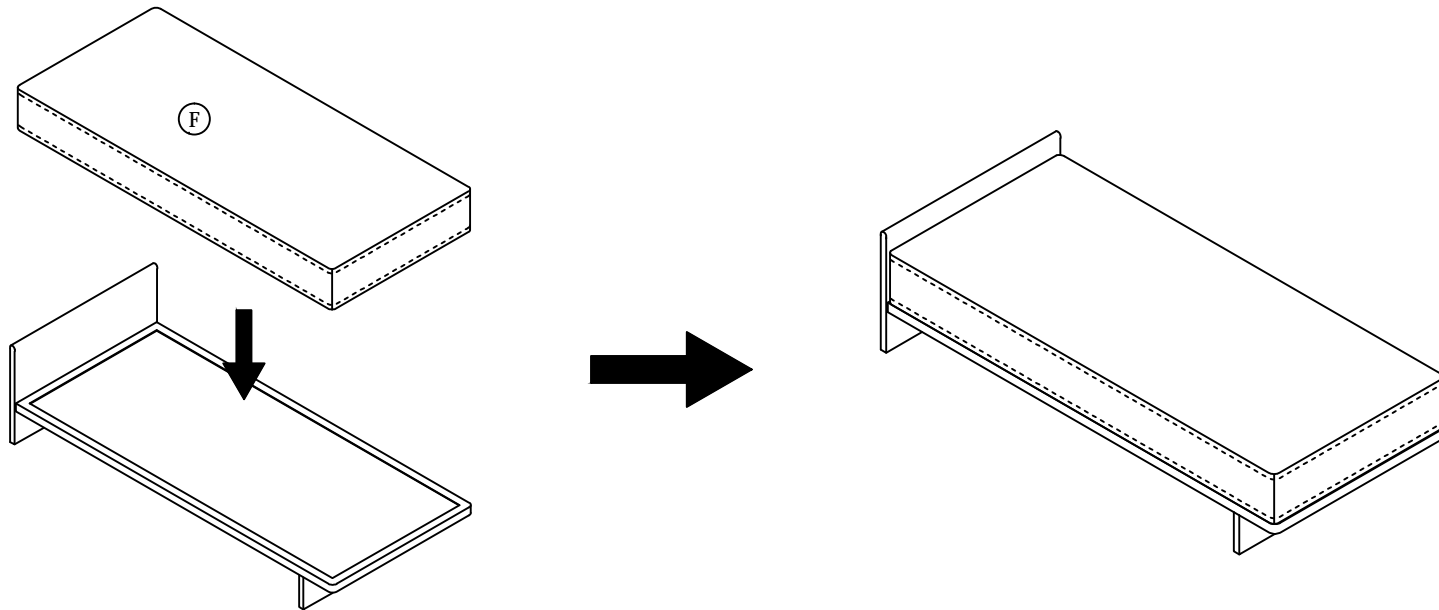


ASSEMBLY INSTRUCTIONS

STEP 5



STEP 6



ASSEMBLY INSTRUCTIONS

STEP 7

