

30-Inch Induction Range

TRANSITIONAL

dacor



DOP30T940IS/DA - Silver Stainless



Features & Benefits

- Dual Four-Part Pure Convection system
- Anti-scratch matte glass cooking surface
- Bridge Element
- Dual Noise Cancellation for quiet induction operation
- LCD control panel with SmartThings Wi-Fi connectivity
- Auto Connect to compatible ventilation through Bluetooth
- Air Sous Vide and Air Fry
- Digital temperature probe
- Self-clean oven
- Softshut hinges
- Voice commands through Bixby/Alexa/Google
- Energy Star Certified

Controls

CONTROL TYPE	2.25" Touchscreen + Knobs
ILLUMINA KNOBS	White
WI-FI + SMARTTHINGS	Yes
BLUETOOTH AUTO CONNECT™ VENTILATION	Yes
CLOCK	Yes
KITCHEN TIMER	Yes
CHILD LOCK	Yes
SABBATH MODE	Yes

Oven

OVEN CAPACITY (CU. FT.)	6.3
CONVECTION	Dual Four-Part Pure Convection
BAKE ELEMENT	3,000W
BROIL ELEMENT	4,200W
CONVECTION ELEMENT	1,300W
TEMPERATURE PROBE	Yes
LIGHTING	Halogen
SELF-CLEAN	Self-Clean, GreenClean™
SOFTSHUT™	Yes

Cooktop

COOKING ZONES	4
LEFT FRONT (W)	1,800 (2,300 boost) - 7"
LEFT REAR (W)	1,800 (2,300 boost) - 7"
RIGHT FRONT (W)	2,400 (4,300 boost) - 11"
RIGHT REAR (W)	1,200 (2,000 boost) - 6"
BRIDGE	Yes (left front & left rear)

Weights & Dimensions

NET WEIGHT (LBS.)	237.8
SHIPPING WEIGHT (LBS.)	265.9
PRODUCT DIMENSIONS (W x H x D IN INCHES)	29 15/16 x 36 to 36 3/4 x 27 1/8

Technical Details

ELECTRICAL REQUIREMENTS	240v, 60 Hz, 40A
--------------------------------	------------------

Warranty

FULL COVERAGE	2 Years
----------------------	---------

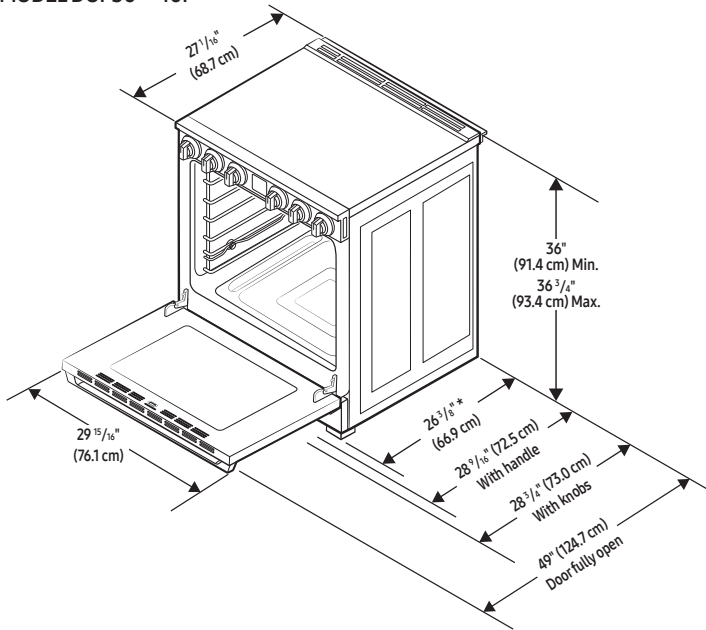
30-Inch Induction Range

TRANSITIONAL

dacor

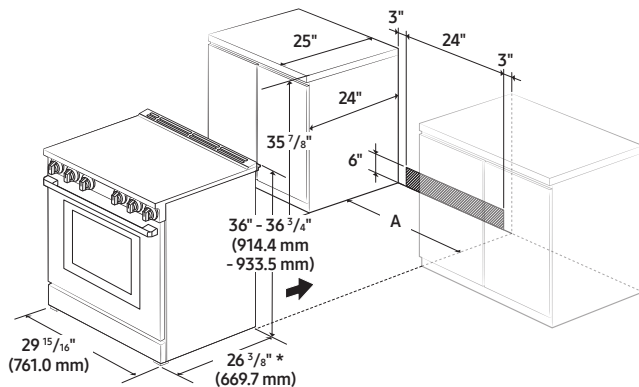
Product Dimensions

MODEL DOP30**40I*



* It would be $26\frac{7}{16}$ " (67.1 cm) if the optional rear filler kit is applied.

Installation guide



* It would be $26\frac{7}{16}$ " (671.7 mm) if the optional rear filler kit is applied.

A: Cabinet opening 30" (76.2 cm)

IMPORTANT: If your cabinet have height over 37", this range cannot be installed without supporting unit like hard block.