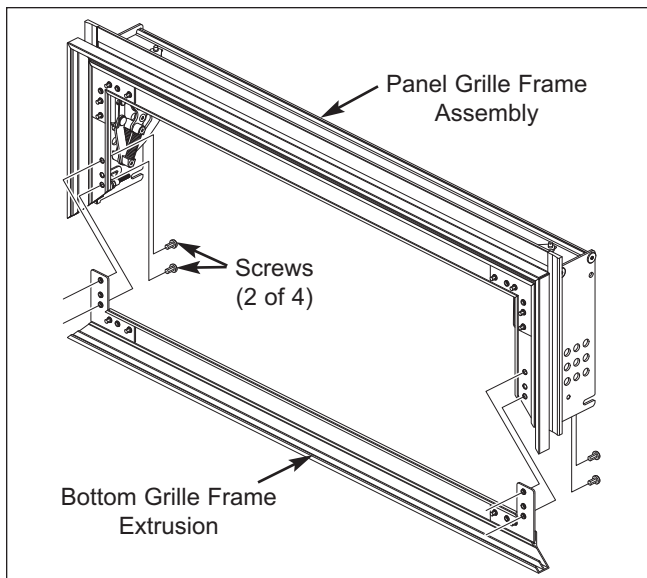


# 7014849, 7014850, 7014851, 7014852, 7014883, 7014884, 7014885, 7014886 Framed Louvered Grille Insert Kit

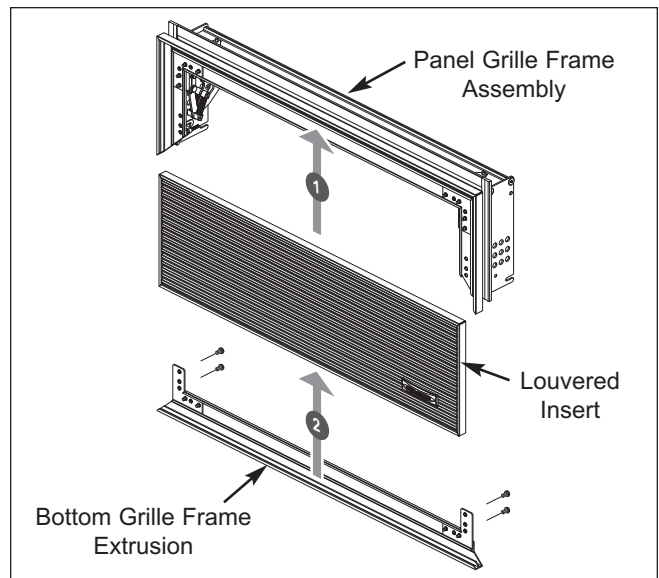
<u>CONTAINS:</u>	<u>QUANTITY</u>	<u>DESCRIPTION</u>
	1	Grille Assembly, Framed (Louvered Insert)
	1	Instructions

## INSTALLATION PROCEDURE:

1. Use a T-25, 6-lobe Torx type bit to extract the two lower grille frame extrusion mounting screws from each side of the grille and pull the bottom grille extrusion along with the corner brackets from the side grille extrusions (See Figure 1).
2. Install louvered grille insert into frame, then reattach bottom grille extrusion (See Figure 2).



**Figure 1. Bottom Frame Extrusion Removal**



**Figure 2. Grille Component Installation**

