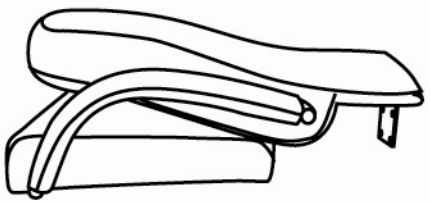
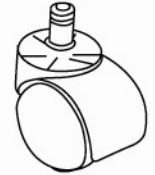
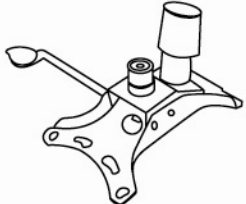


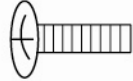
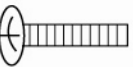




Please unscrew all hardware from cushion before assembly.

Por favor de destornillar todos los tornillos del cojín antes de ensamblar la silla.

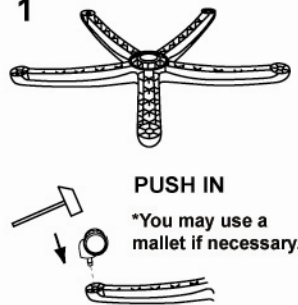
MODEL : B7401 7406

(1)x1		(2)x5	
			
Back & Seat W/ ARMS		Caster	
(3)x1	(4)x1	(5)x1	
			
Mechanism		Gas Lift W/ Cover	
(A)*4PCS		M8*22 MECHANISM SCREW	
(B)*4PCS		M6*30 BACK BAR SCREWS	
(C)*4PCS		ARM CAP	
(D)*1PC		ALLEN KEY	

Customer Service Hotline: 1-800-593-1888

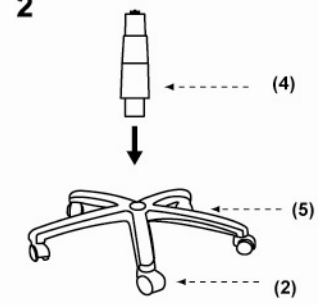
For further assembly instructions, please visit our website at www.bosschair.com

1

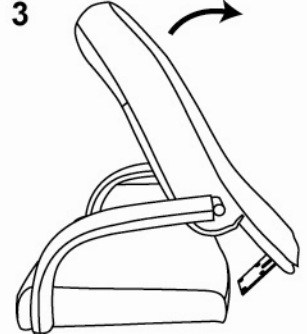


PUSH IN
*You may use a mallet if necessary.

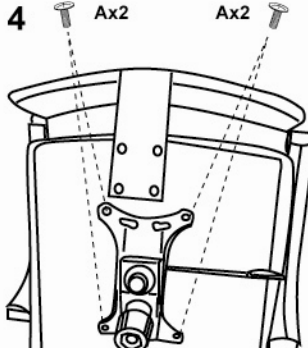
2



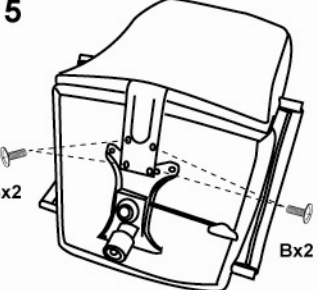
3



4

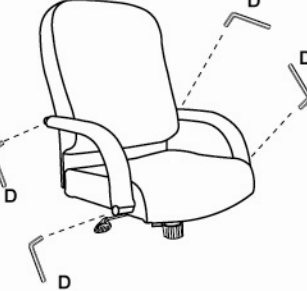


5

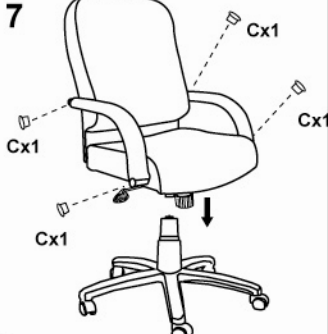


Back bar must be over the mechanism



6



7



Note: Please tighten all arm screws using allen key before step 7

Insert and loosely tighten all screws. When assembly is completed, fully tighten all screws before using. This chair is only intended for sitting. Any other use will void the warranty.

