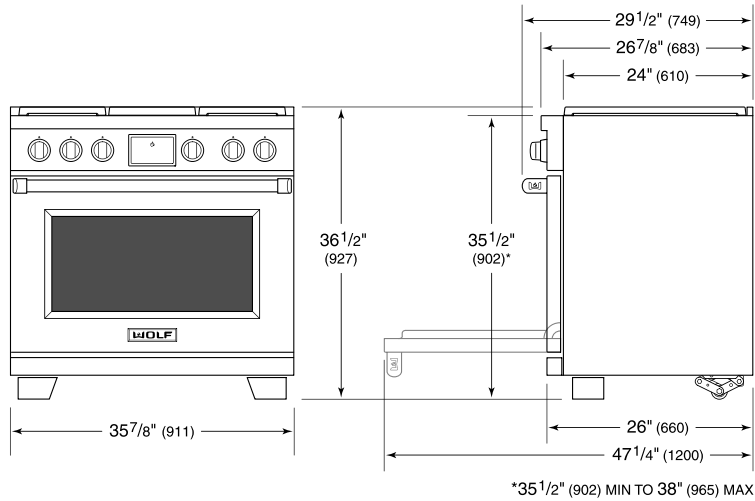
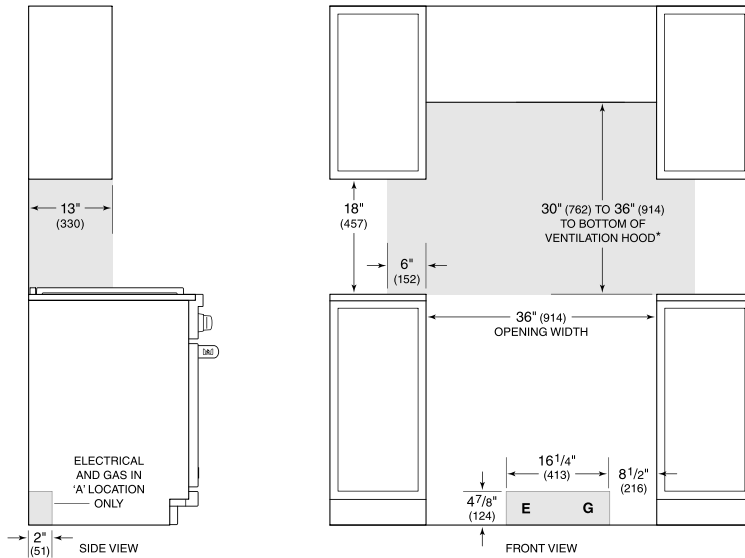


Dimensions



Standard Installation



*Without ventilation hood, $36''$ (914) minimum clearance countertop to combustible materials, $44''$ (1118) for charbroiler.

NOTE: Shaded area above countertop indicates minimum clearance to combustible surfaces, combustible materials cannot be located within this area.

For island installation, $12''$ (305) minimum clearance back of range to combustible rear wall above countertop.

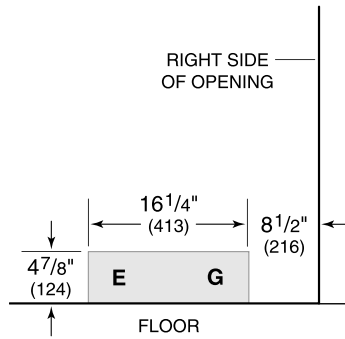
Electrical Requirements

Electrical Requirements

Electrical Supply 240/208 VAC, 60 Hz

Electrical Service 30 amp dedicated circuit

Electrical Location Illustration



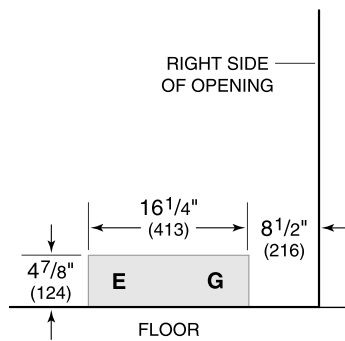
Gas Requirements

Gas Requirements

Gas Supply $\frac{3}{4}$ " ID line

Gas Inlet $\frac{1}{2}$ " NPT female

Gas Supply Illustration



Top Configuration

