

## Classic 24" Convection Oven

SOU2304TX  
Stainless steel



Built-in multifunction convection oven ensuring even heat distribution, multiple cooking modes, and precise temperature control for consistent results across all types of dishes

### Features

**Smartcooking** - 50 automatic recipes for perfect results

**Ever Clean Enamel** - Facilitated cavity cleaning due to special pyrolytic enamel

**Removable internal glass** - Easy cleaning of the oven door thanks to the removable glass

**Soft Close** - Cushioned door closing system

### Technical Features

|                                  |                             |
|----------------------------------|-----------------------------|
| Minimum Temperature              | 32 °F                       |
| Maximum temperature              | 282 °F                      |
| No. of shelf positions           | 5                           |
| Fan                              | Single                      |
| No. of lights                    | 2                           |
| Lighting                         | Halogen                     |
| Cavity material                  | EverClean enamel            |
| Removable door                   | Yes                         |
| Lower heating element power      | 1200 W                      |
| Upper heating element - Power    | 1000 W                      |
| Grill element - power            | 1700 W                      |
| Large grill - Power              | 2700 W                      |
| Circular heating element - Power | 2000 W                      |
| Display technology               | Full color TFT touch screen |

### Programs / Functions

|                               |  |
|-------------------------------|--|
| No. of cooking functions      | 9  |
| Automatic programs            | 50   |
| Traditional cooking functions | Bake, Convection bake, True European convection, Convection roast, Eco, Broil, Convection broil, Circulaire + grill, Warm, Convection bottom (European bake+), Pizza Defrost by time, Defrost by weight, Proof, Stone cooking, BBQ, Air-Fry, Keep-warm, Plate warming, Sabbath |
| Other functions               |  |
| Cleaning functions            | Vapor Clean  |
| Sabbath Mode                  | Yes  |

### Options

|                   |     |
|-------------------|-----|
| Child safety lock | Yes |
| Showroom mode     | Yes |
| Rapid pre-heating | Yes |

### Accessories Included

|  |   |
|--|---|
| Rack with back stop                        | 2 |
| Enameled 1.6"-deep tray                    | 1 |
| Insert grid                                | 1 |
| Telescopic Guide rails, partial Extraction | 1 |

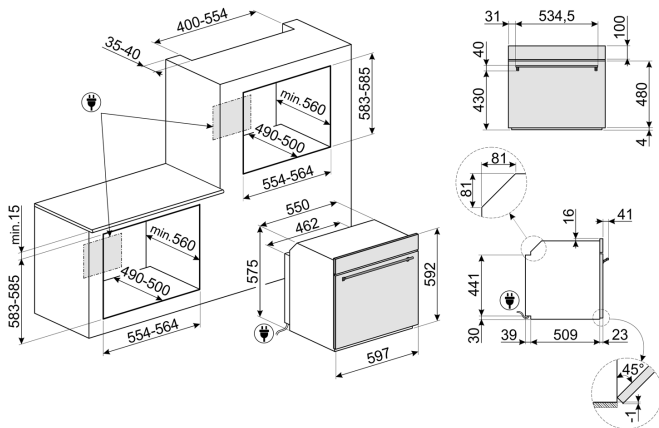
## Electrical Connection

|                   |            |
|-------------------|------------|
| Voltage           | 120/240 V  |
| Frequency         | 60 Hz      |
| Circuit breaker   | 13 A       |
| Plug              | Hard-wired |
| Power cord length | 59 1/16 "  |

## Logistic Information

|            |           |
|------------|-----------|
| Width      | 23 1/2 "  |
| Height     | 23 5/16 " |
| Depth      | 21 9/16 " |
| Net weight | 83 lbs    |

## Product dimension drawing



## Accessories



GTP  
Partial-extension telescopic guides



GTT  
Total-extension telescopic guides



PALPZ  
Pizza shovel with fold away handle

## Color option



SOU2104TG  
Color: Neptune Grey