

NZ36R5330R

SAMSUNG

36" Electric Cooktop



Signature Features

Flexible Cooktop

- Whether you're boiling water, melting chocolate or simmering sauce, there's an element for your needs.

Front Controls

- Front Controls are easy to reach.

Indicator Light

- Hot Surface Indicator light lets you know the surface is hot.

Available Color



Black



Front Controls



Indicator Light

Features

- Flexible Cooktop
 - Right Front: 9", 2.5 kW
 - Right Rear: 6", 1.2 kW (Melt)
 - Left Front: 7", 1.5 kW
 - Left Rear: 7", 1.5 kW
 - Center: 9"/12", 3 kW (Simmer)
- 9.7 kW Total Power
- ADA Compliant

Convenience

- Hot Surface Indicator Light
- Easy-To-Clean Glass, Ceramic Cooktop
- Dishwasher-Safe Knobs



ADA Compliant

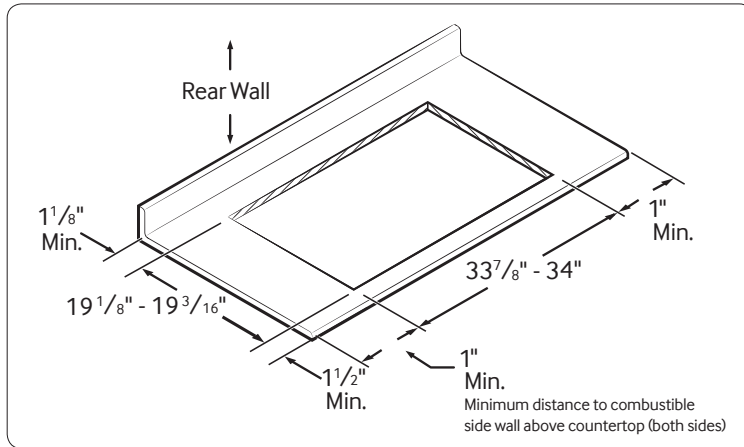
NZ36R5330R

SAMSUNG

36" Electric Cooktop

Installation Requirements

Countertop cut-out and minimum clearance dimensions:



Total Power

9.7 kW

Power Source

240V / 60 Hz / 40A

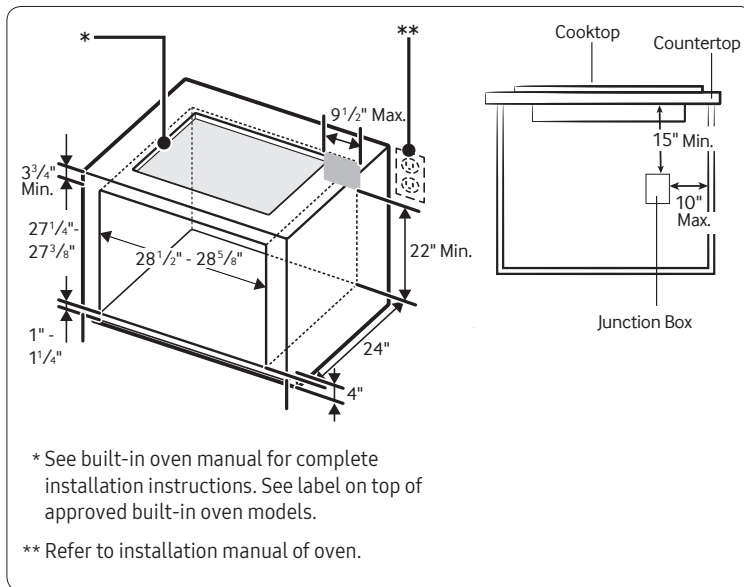
Electric Cooktop

- Left Front: 7", 1.5 kW
- Left Rear: 7", 1.5 kW
- Right Front: 9", 2.5 kW
- Right Rear: 6", 1.2 kW (Melt)
- Center: 9"/12", 3 kW (Simmer)

Warranty

One (1) Year All Parts and Labor
Five (5) Years Parts Warranty for Glass Cooktop and Radiant Heater

Installing Over a Single Oven



Product Dimensions & Weight (WxHxD)

Outside (Max) Cooktop Dimensions: 36" x 5¹/₈" x 21¹/₄"

Cooktop Cut-Out Dimensions: 33⁷/₈" x 5¹/₈" x 19¹/₈"

Weight: 43.4 lbs

Shipping Dimensions & Weight (WxHxD)

Dimensions: 40³/₁₆" x 9¹/₁₆" x 25¹/₁₆"

Weight: 50.7 lbs

Color

Black

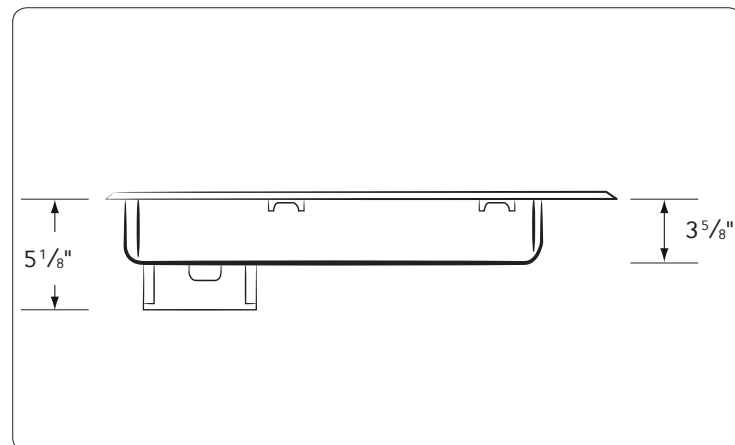
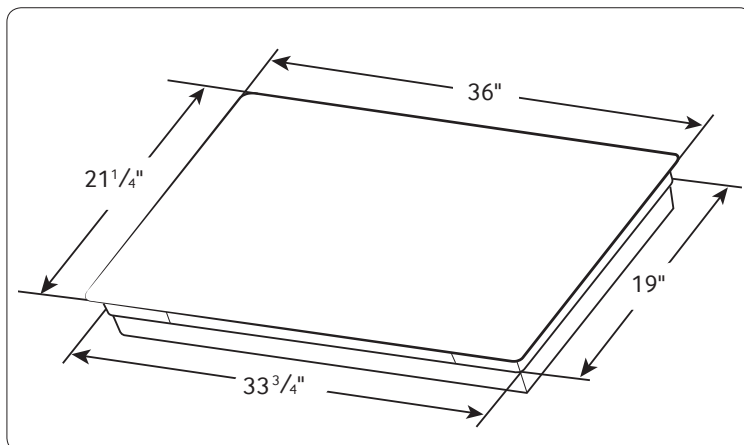
Model

NZ36R5330RK/AA

UPC Code

887276299020

Cooktop Dimensions



Actual color may vary. Design, specifications, and color availability are subject to change without notice. Non-metric weights and measurements are approximate.

©2019 Samsung Electronics America, Inc. 85 Challenger Road, Ridgefield Park, NJ 07660. Tel: 800-SAMSUNG. samsung.com. Samsung is a registered trademark of Samsung Electronics Co. Ltd.