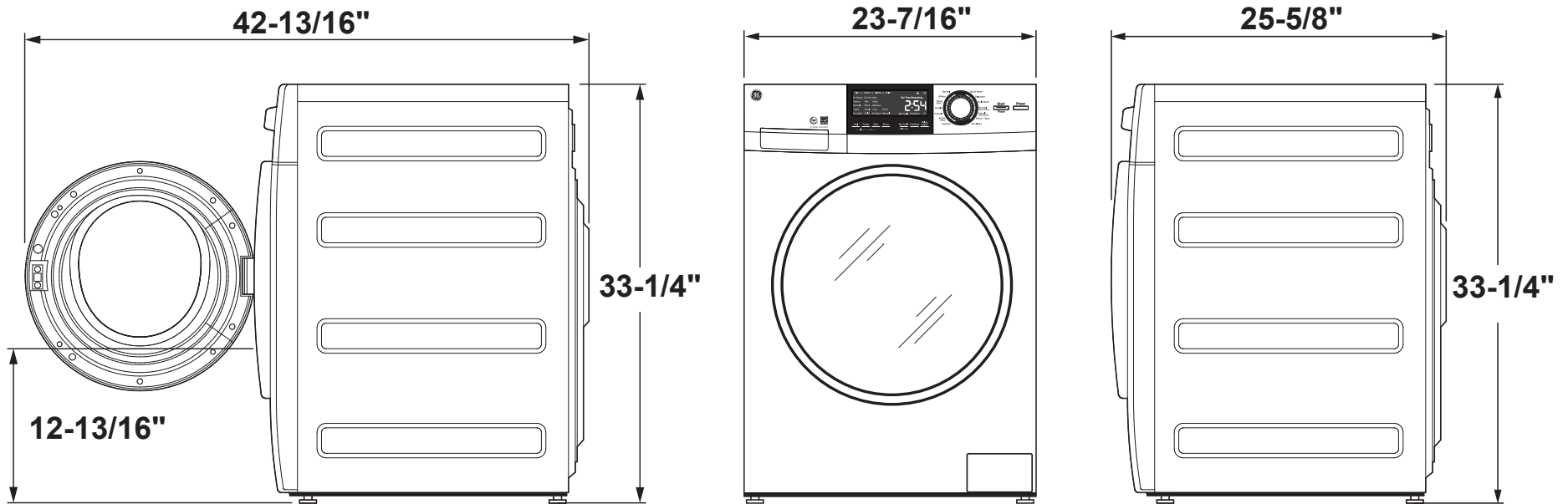


GFQ14ESSNWW

GE® 24" 2.4 Cu. Ft. Capacity Front Load Washer/Condenser Dryer Combo

DIMENSIONS AND INSTALLATION INFORMATION (IN INCHES)

INSTALLATION INFORMATION: For complete information, see installation instructions packed with your washer.



For answers to your Monogram, GE Café™ Series, GE Profile™ Series or GE Appliances product questions, visit our website at geappliances.com or call GE Answer Center® Service, 800.626.2000.



Specification Created 12/19

GFQ14ESSNWW

GE® 24" 2.4 Cu. Ft. Capacity Front Load Washer/Condenser Dryer Combo

SPECIAL INSTALLATION REQUIREMENTS

ADA COMPLIANCE:

- 4" ADA riser and drip pan for 24" frontload model: GAF140SSNWW

MINIMUM INSTALLATION CLEARANCES:

- When installed in alcove: Sides/Rear = 0" and Top = 1"
- When installed in closet: Sides/Rear = 0" and Top/Front = 1"
- Consideration must be given to provide adequate clearance for installation and service.
- Closet doors must be louvered or otherwise ventilated and have at least 60 square inches (387.1 cm²) of open area. If the closet contains a second laundry unit, doors must contain a minimum of 120 square inches (774.2 cm²) of open area.

BATHROOM OR BEDROOM INSTALLATION:

- The dryer MUST be exhausted to the outdoors with the exception of the condensing dryer.
- The installation must conform with the local codes, or in the absence of local codes, with the National Electric Code and National Fuel Gas Code, ANSI Z223 for gas dryers.

MINIMUM CLEARANCE OTHER THAN ALCOVE OR CLOSET INSTALLATIONS:

- Minimum clearances to combustible surfaces 0" both sides, 3" rear.

**FOR MORE INFORMATION ON VENTING KITS AND ACCESSORIES,
PLEASE CALL 1-800-GE-CARES.**



For answers to your Monogram, GE Café™ Series, GE Profile™ Series or GE Appliances product questions, visit our website at geappliances.com or call GE Answer Center® Service, 800.626.2000.



Specification Created 12/19

GFQ14ESSNWW

GE® 24" 2.4 Cu. Ft. Capacity Front Load Washer/Condenser Dryer Combo

FEATURES AND BENEFITS

2.4 cubic foot capacity – Wash large items and do laundry less often with a 2.4 cubic feet of capacity

No vent required, standard 120v plug – Can be installed conveniently in a closet, placed under a counter without the need to vent externally

All-In-One Wash & Dry – Wash and dry your clothes in a single step with a combination washer and dryer that saves you space without sacrificing capacity

Detergent, Bleach and Fabric softener dispensers – Save time doing laundry with dispensers that automatically release at the optimal point during the wash cycle

Auto Wash + Dry – Experience total convenience with a feature that automatically sets the correct dry cycle based on the chosen wash cycle, or select the dry cycle manually

Steam wash – Penetrates deep into fabric fibers, loosening stains like tomato and grass, yet protecting your fabrics

Sanitize cycles – Allows for a deeper clean with elevated temperatures designed to kill common household bacteria

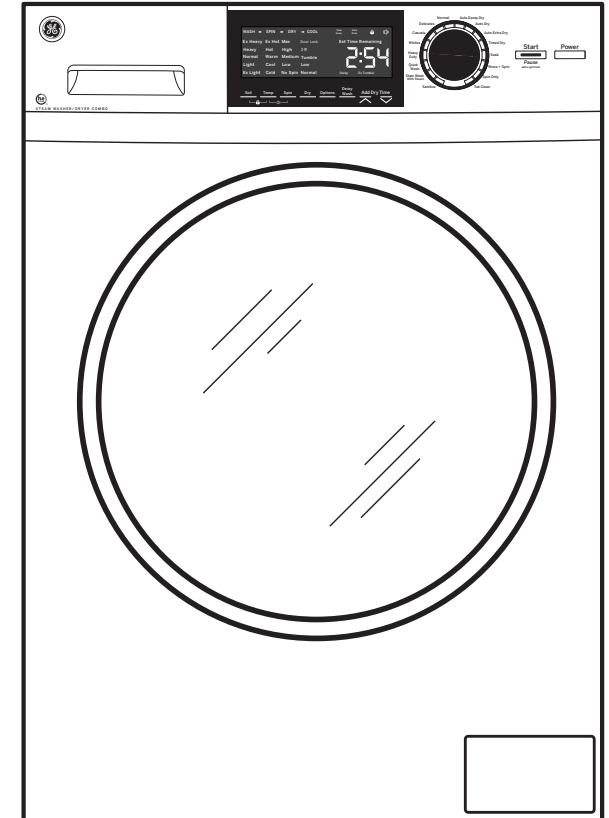
Add a Garment – Add last-minute items to the washer thanks to a button that pauses the machine and unlocks the door

5 soil level selections – Take full control of your wash cycle with five soil levels to choose from

5 wash temperature levels – Pick the water temperature you prefer and wash your way

5 spin speed choices – Speeds are matched to fabric type for great clothes care

Model GFQ14ESSNWW – White on white



For answers to your Monogram, GE Café™ Series, GE Profile™ Series or GE Appliances product questions, visit our website at geappliances.com or call GE Answer Center® Service, 800.626.2000.