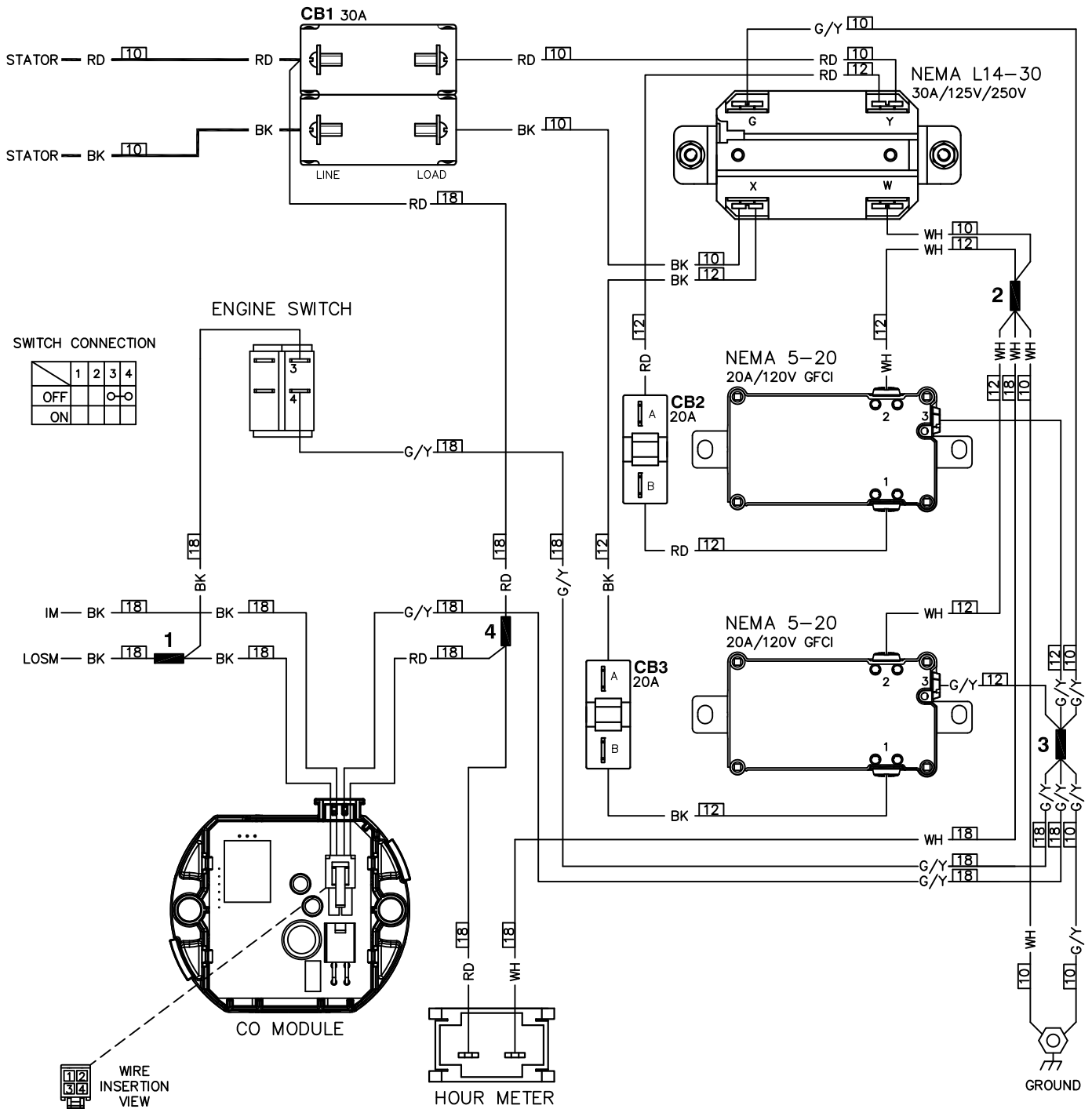


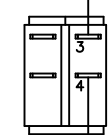
CONTROL PANEL BLOCK



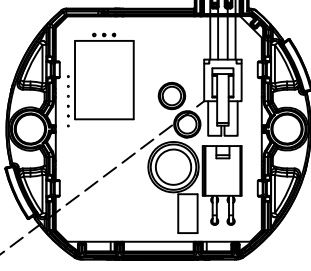
SWITCH CONNECTION

	1	2	3	4
OFF			○	○
ON				

ENGINE SWITCH



CO MODULE



CO MODULE CONNECTION

PIN	COLOR	TO
1	G/Y	SPLICE 3
2	RD	SPLICE 4
3	BK	IM
4	BK	SPLICE 1