

MONOGRAM 36" BUILT-IN ALL-REFRIGERATOR

ZIR36ONNRH



CUSTOM PANEL MODEL

Can be personalized with cabinet-matching panels and handles

FLUSH INSET INSTALLATION

Allows the refrigerator to be installed flush with adjacent cabinetry

ENHANCED TEMPERATURE MANAGEMENT SYSTEM

With precise electronic controls and thermistors, maintains ideal storage conditions for fresh foods

CONCEALED HALOGEN LIGHTING SYSTEM

Illuminates contents without compromising space

HUMIDITY-CONTROLLED COMPARTMENTS AND SEALED SNACK DRAWERS

Help preserve the freshness of foods

ADJUSTABLE SPILLPROOF GLASS SHELVES

Easily accommodate party trays and platters

SEALED DAIRY COMPARTMENT

Locks in freshness

GALLON-SIZE DOOR BIN

Holds milk containers, two-liter bottles and pitchers

SECTION 1

STANDARD INSTALLATION

1/4" FRAMED PANELS



3/4" OVERLAY PANELS



SECTION 2

FLUSH INSET INSTALLATION

REQUIRES ADDITIONAL TRIM KIT ZKFN





SPECIFICATIONS

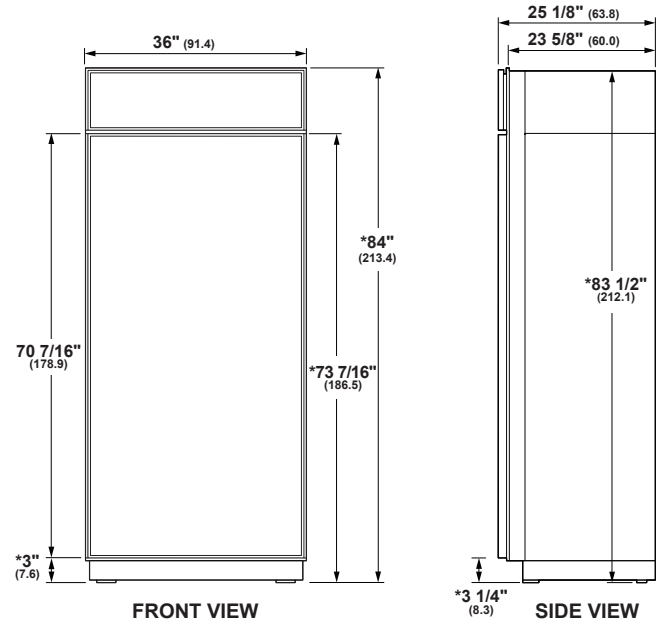
Overall Width	36" (91.4 cm)
Overall Height	84" (213.4 cm)
Overall Depth	25 1/8" (63.8 cm)
Door Clearance	36 1/2" (92.7 cm)
Cutout Width	35 1/2" (90.2 cm)
Cutout Height	83 1/2" - 84 1/2" (212.1 - 214.6 cm)
Cutout Depth	24" (61 cm)
Plumbing Requirements	1/4" OD copper tubing or GE SmartConnect kit
Shipping Weight	569 lb (258 kg)

ATTENTION ELECTRICIAN:

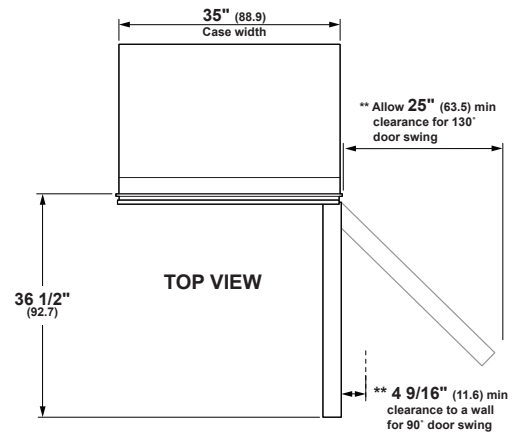
A 115 volt 60Hz., 15 or 20 amp power supply is required. An individual properly grounded branch circuit or circuit breaker is recommended. Install a properly grounded 3-prong electrical receptacle recessed into the back wall.

OVERALL DIMENSIONS

STANDARD INSTALLATION



* Shipping height. Use leveling legs and wheels for maximum 1" height adjustment from shipping height.

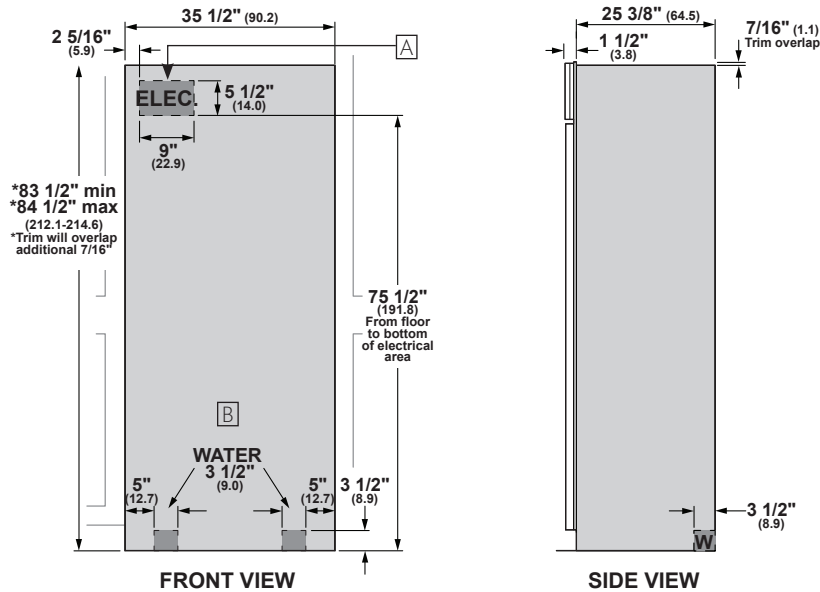


** These refrigerators are equipped with a 3 position door stop. The factory set 115° door swing can be adjusted to 90° if clearances to adjacent cabinets or walls is restricted. Allow full 130° door swings for pan removal. If the 90° door stop position is used, pan access is maintained, but pan removal is restricted.

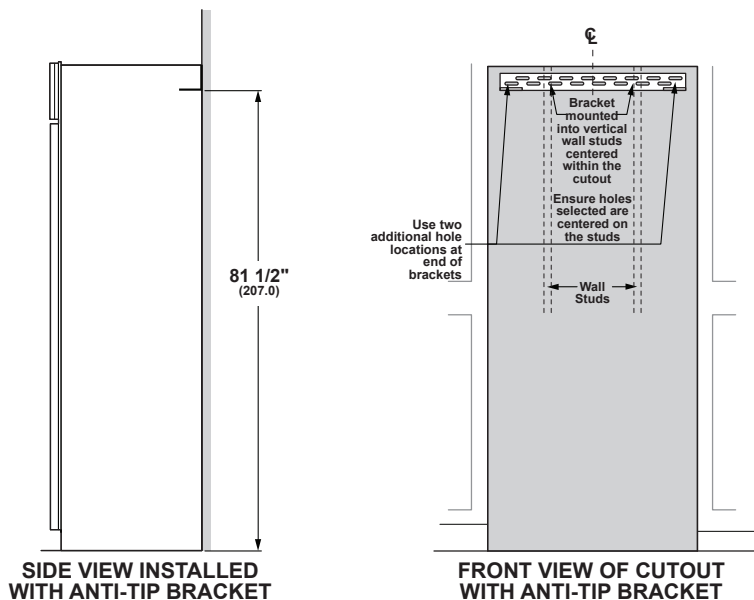
** Dimensions are based on custom handle height of 2 9/16" (6.5).

Dimensions in parentheses are in centimeters unless otherwise noted. Actual product dimensions may vary due to manufacturing tolerances.

STANDARD INSTALLATION



ANTI-TIP BRACKET



STANDARD INSTALLATION

HELPFUL TIPS

- Ⓐ Mounting the junction box in this location will also allow for front accessibility through access panel.



WARNING:

The refrigerator is top heavy and must be secured to prevent the possibility of tipping forward. Failure to do so may result in death or serious injury.

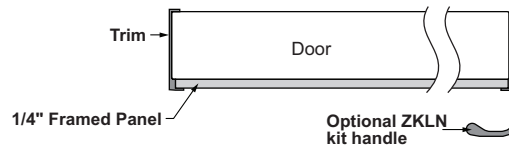
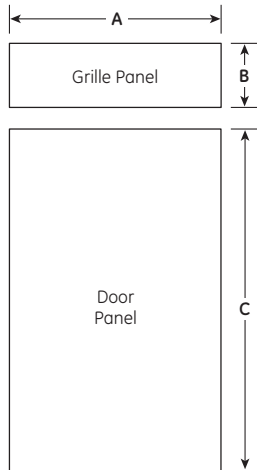
The information below is for cabinet design only. When installing the anti-tip system you must use the product installation instructions.

The information below applies to all installation constructions:

- A wall bracket, bolts and toggles will be supplied with the unit.
- The bolts will be used to attach bracket to wall in 4 locations. Two of the locations must penetrate the center of the wall studs.
- The toggles are used for stability in drywall and when metal studs are encountered. Lag bolts are used in wood studs.
- In installation opening, measure 81 1/2" from floor and draw a horizontal line.
- Locate and mark the wall studs on horizontal line. Verify at least two studs have their centerlines within the center 32 1/2" of installation opening to ensure 2 wall studs are penetrated.
- The bracket will be centered left to right in opening with bottom of bracket on the horizontal line.
- When unit is placed in opening, the bracket tabs will align with openings in back of the unit. The unit will be secured to the bracket using supplied "L" bolts.

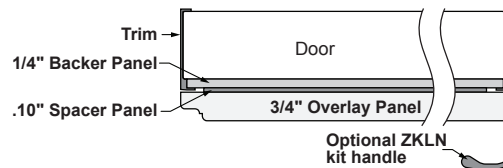
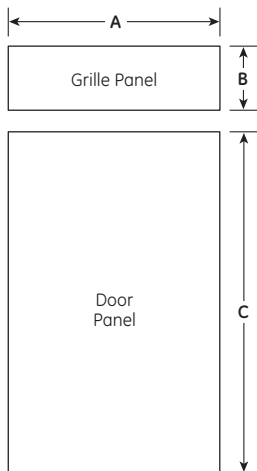
See Installation Instructions for detailed instructions.

STANDARD 1/4" FRAMED PANEL DIMENSIONS SINGLE INSTALLATION



	A	B	C
1/4" Framed Panel	33 7/8"	8 7/8"	69 5/16"

STANDARD 3/4" OVERLAY PANEL DIMENSIONS SINGLE INSTALLATION



	A	B	C
1/4" Backer Panel	33 7/8"	8 7/8"	69 5/16"
.10" Spacer Panel	32 1/2"	7 5/8"	67 15/16"
3/4" Overlay Panel	34 1/8"	9"	69 9/16"

STANDARD INSTALLATION

HELPFUL TIPS

Trimmed refrigerators are designed to be customized with decorative panels. Field-installed custom door and grille panels are required.

1/4" Framed Panels: For 1/4" thick custom panels ordered from your cabinet maker. The decorative panels slide into the trim.

Maximum total panel weight:

- Door panel – 67 lbs.
- Grille panel – 11 lbs.

3/4" Overlay Panels: For 3/4" thick custom panels ordered from your cabinet maker. The decorative panels slide into the trim. The overlay panel must be secured to a 1/4"-thick backer panel which slides into the trim. A spacer panel 0.10" thick must be placed between the overlay and backer panels.

Center each panel over the other. Assemble the panels with glue and screws. Screws must be countersunk into the backer panel.

NOTE: Left-to-right offset is not always equal to top-to-bottom offset.

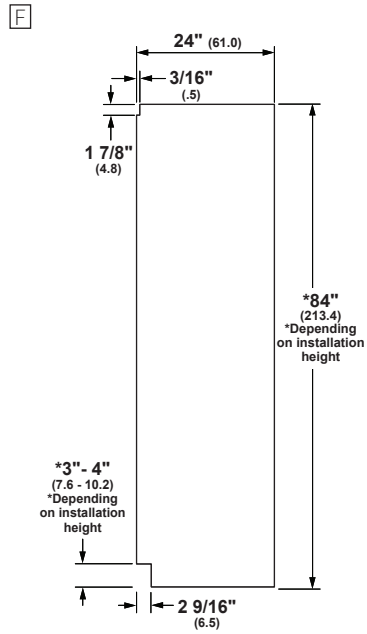
Maximum total panel weight:

- Door panel – 67 lbs.
- Grille panel – 11 lbs.

Door Handles:

Door handles are not provided. Custom handles supplied by your cabinet maker may be used. An optional visor handle can be ordered as kit ZKLN.

CUSTOM SIDE PANELS

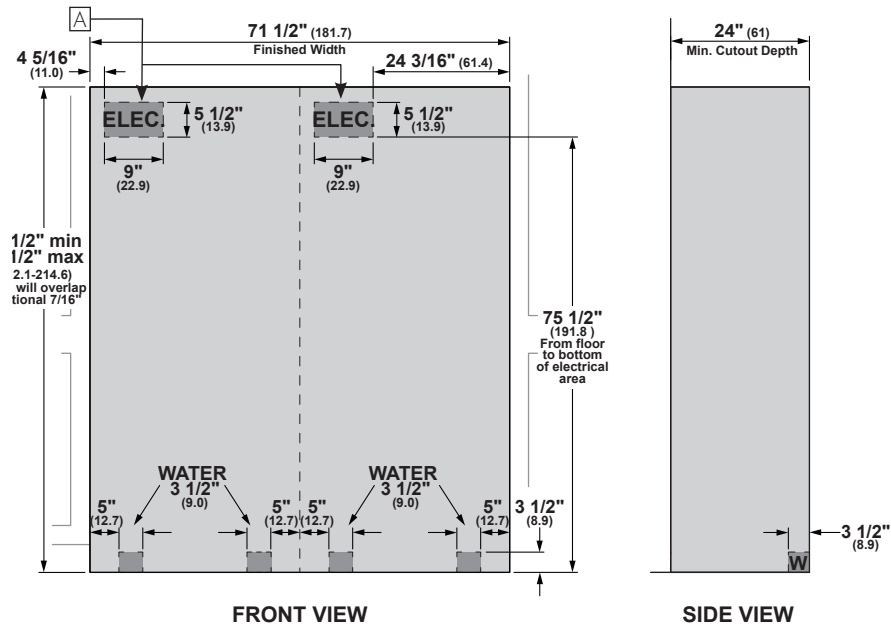


STANDARD INSTALLATION

HELPFUL TIPS

F Side panels must be used whenever the sides of the refrigerator will be exposed. A 1/4" side panel will slip into the side case trim. Secure the panels to the refrigerator with stick-on hook and loop fastener strips. Order the side panels from the cabinet manufacturer.

DUAL INSTALLATIONS



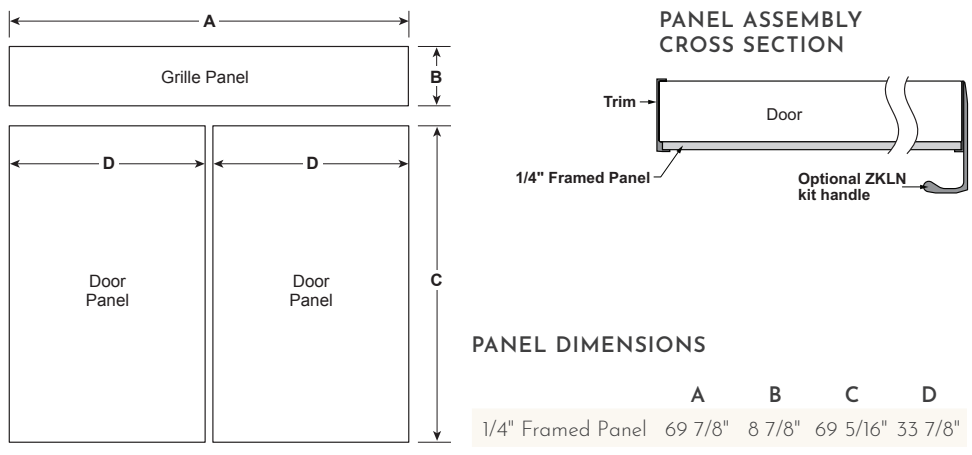
STANDARD INSTALLATION

HELPFUL TIPS

A A separate 115V, 60Hz, 15- or 20-amp power supply is recommended for each product.

Additional cutout width may be required when side panels are used.

STANDARD 1/4" FRAMED PANEL DIMENSIONS DUAL INSTALLATION



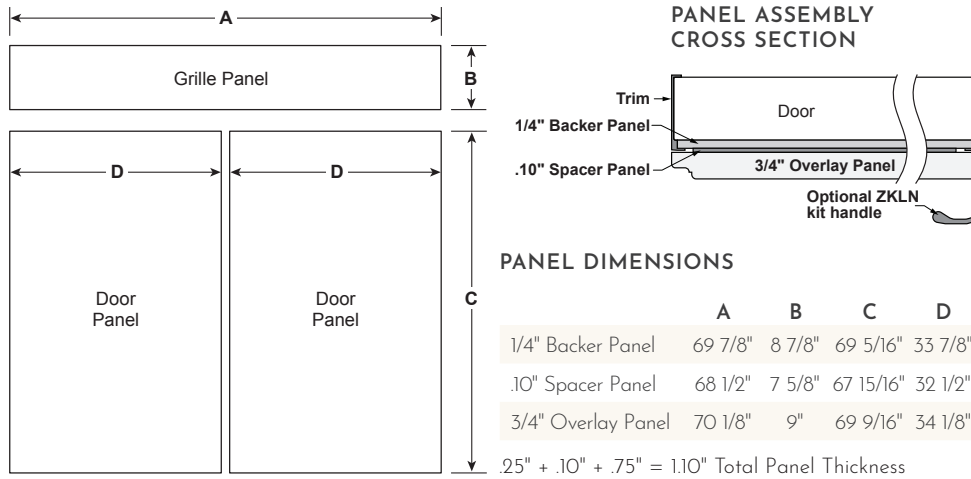
Trimmed refrigerators are designed to be customized with decorative panels. Field-installed custom door and grille panels are required.

1/4" Framed Panels: For 1/4" thick custom panels ordered from your cabinet maker. The decorative panels slide into the trim.

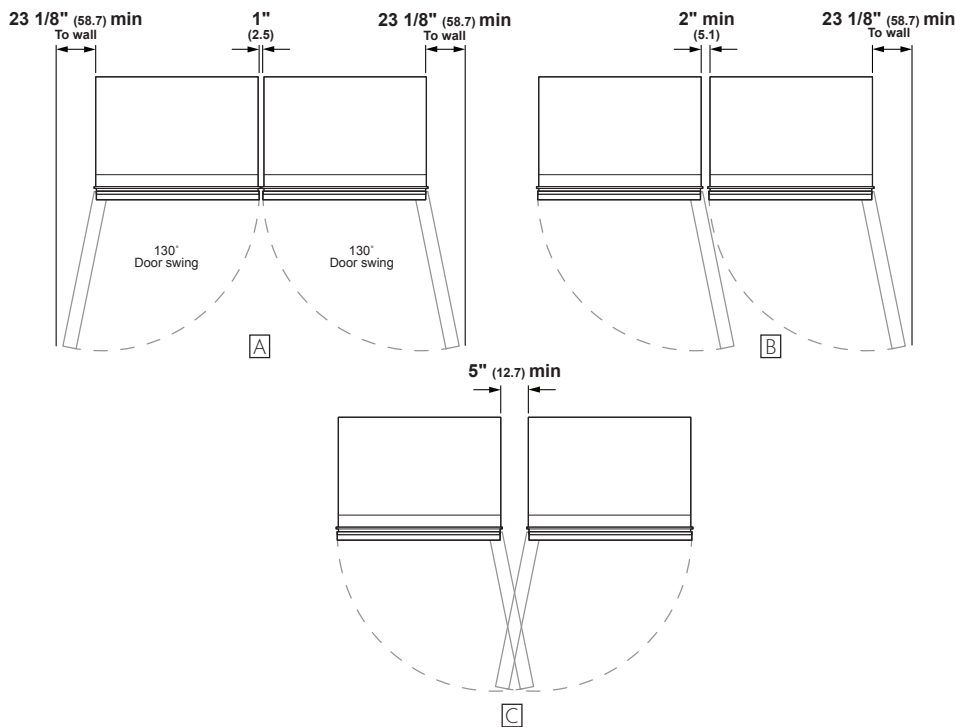
- Maximum total panel weight:
- Door panel – 67 lbs.
 - Grille panel – 25 lbs

Order a ZKBFN720NII unification kit for an integrated appearance on 2 custom panel models installed side-by-side.

STANDARD 3/4" OVERLAY PANEL DIMENSIONS DUAL INSTALLATION



DUAL PRODUCT CLEARANCES



For questions about your appliance, please call 1-800-626-2000.

STANDARD INSTALLATION

HELPFUL TIPS

3/4" Overlay Panels: For 3/4" thick custom panels ordered from your cabinet maker. The decorative panels slide into the trim. The overlay panel must be secured to a 1/4"-thick backer panel which slides into the trim. A spacer panel .10" thick must be placed between the overlay and backer panels.

Center each panel over the other. Assemble the panels with glue and screws. Screws must be countersunk into the backer panel.

NOTE: Left-to-right offset is not always equal to top-to-bottom offset.

Maximum total panel weight:

- Door panel – 67 lbs.
- Grille panel – 25 lbs.

Order a ZKBFN720NII unification kit for an integrated appearance on 2 custom panel models installed side-by-side.

Door Handles:

Door handles are not provided. Custom handles supplied by your cabinet maker may be used. An optional visor handle can be ordered as kit ZKLN.

A In a side-by-side installation of a left-and-right-hand door swing product, 1" clearance between the units is required.

Order a ZKBFN720NII unification kit for an integrated appearance on 2 custom panel models installed side-by-side.

B In a side-by-side installation with same door swing, allow 2" minimum clearance between the products to prevent the door swing interference. Allow 15" minimum to a wall to achieve full drawer extension and pan removal. Additional clearances are required when using custom panels and handles.

NOTE: ZKBSN720NSS and ZKBFN720NII unification kits will not fit this installation.

C In a side-by-side installation with right and left door hinges together, allow 5" minimum clearance between the two products to prevent one door from striking the other. Additional clearances required when using custom panels and handles.

NOTE: ZKBSN720NSS and ZKBFN720NII unification kits will not fit this installation.



SPECIFICATIONS

Overall Width	38" (96.5 cm) ^t
Overall Height	84 11/16" (215.1 cm) ^t
Overall Depth	25 1/8" (66.4 cm) ^t
Door Clearance	38 3/4" (98.4 cm)
Cutout Width	39" (99.1 cm)
Cutout Height	85" (215.9 cm)
Cutout Depth	26 3/16" (66.5 cm)
Plumbing Requirements	1/4" OD copper tubing or GE SmartConnect kit
Shipping Weight	569 lb (258 kg)

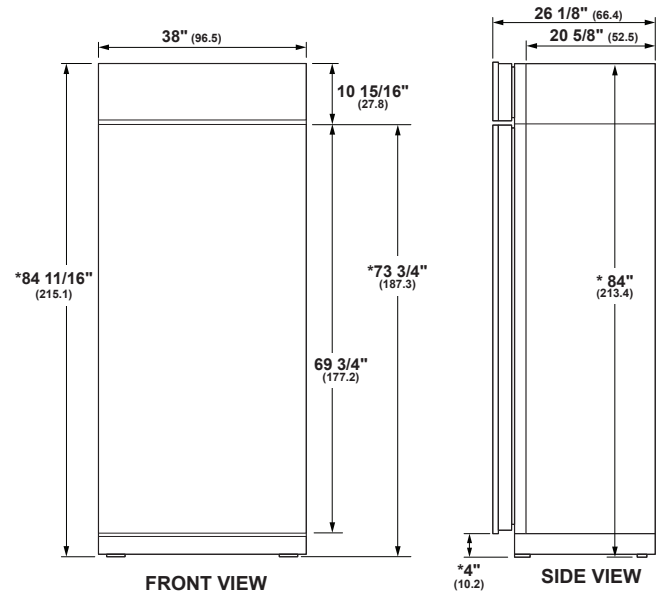
^t Dimensions include 3/4" custom cabinet panel

ATTENTION ELECTRICIAN:

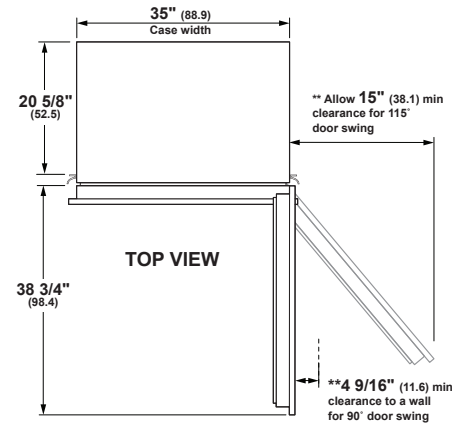
A 115 volt 60Hz., 15 or 20 amp power supply is required. An individual properly grounded branch circuit or circuit breaker is recommended. Install a properly grounded 3-prong electrical receptacle recessed into the back wall.

OVERALL DIMENSIONS

FLUSH INSET INSTALLATION



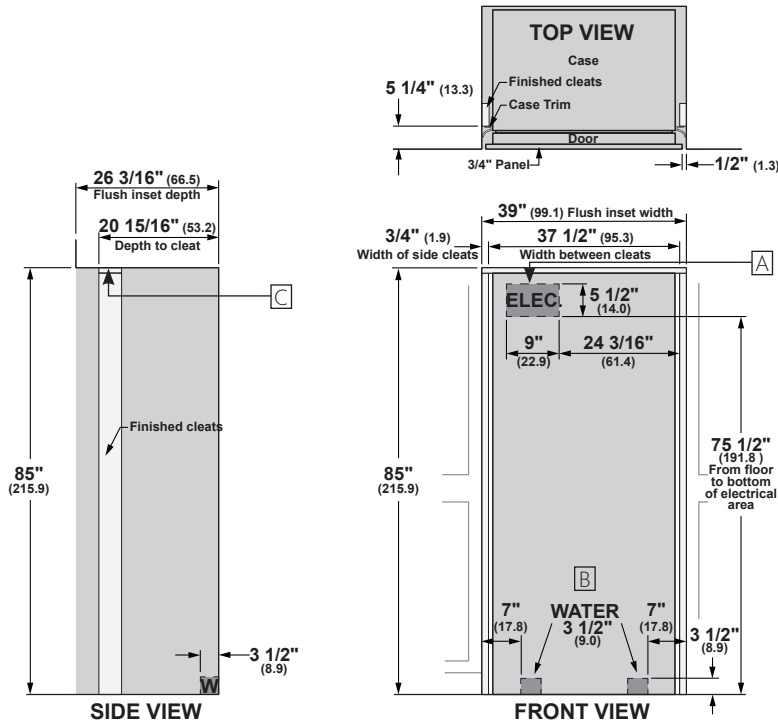
* Shipping height. Use leveling legs and wheels for maximum 1" height adjustment from shipping height. Nominal installation height is 84"



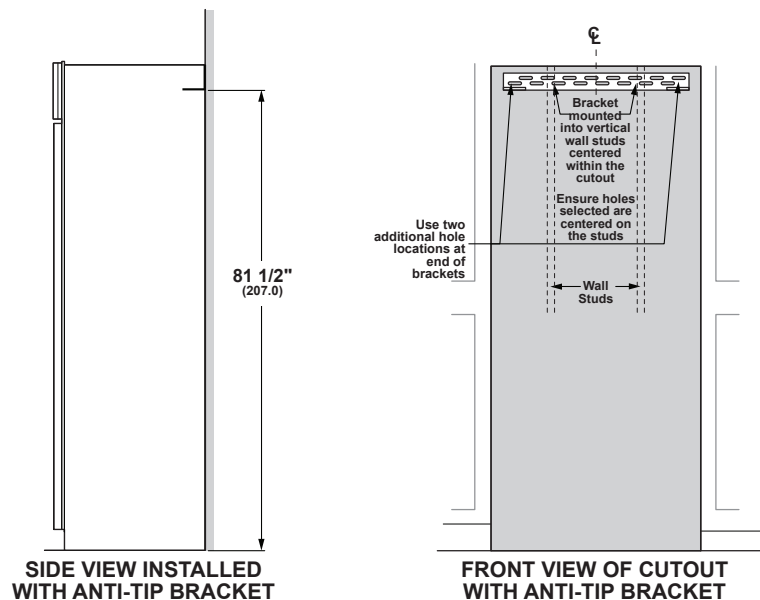
** Dimensions are based on custom handle height of 2 9/16" (6.5).

Dimensions in parentheses are in centimeters unless otherwise noted. Actual product dimensions may vary due to manufacturing tolerances.

FLUSH INSET INSTALLATION 3/4" PANELS



ANTI-TIP BRACKET



FLUSH INSET INSTALLATION

HELPFUL TIPS

- A** Mounting the junction box in this location will also allow for front accessibility through access panel.
- B** Water supply area.
- C** Top cleat should be 1" thick



WARNING:

The freezer is top heavy and must be secured to prevent the possibility of tipping forward. Failure to do so may result in death or serious injury.

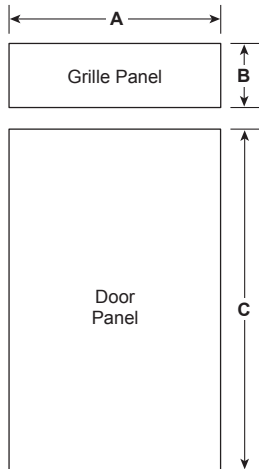
The information below is for cabinet design only. When installing the anti-tip system you must use the product installation instructions.

The information below applies to all installation constructions:

- A wall bracket, bolts and toggles will be supplied with the unit.
- The bolts will be used to attach bracket to wall in 4 locations. Two of the locations must penetrate the center of the wall studs.
- The toggles are used for stability in drywall and when metal studs are encountered. Lag bolts are used in wood studs.
- In installation opening, measure 81 1/2" from floor and draw a horizontal line.
- Locate and mark the wall studs on horizontal line. Verify at least two studs have their centerlines within the center 32 1/2" of installation opening to ensure 2 wall studs are penetrated.
- The bracket will be centered left to right in opening with bottom of bracket on the horizontal line.
- When unit is placed in opening, the bracket tabs will align with openings in back of the unit. The unit will be secured to the bracket using supplied "L" bolts.

See Installation Instructions for detailed instructions.

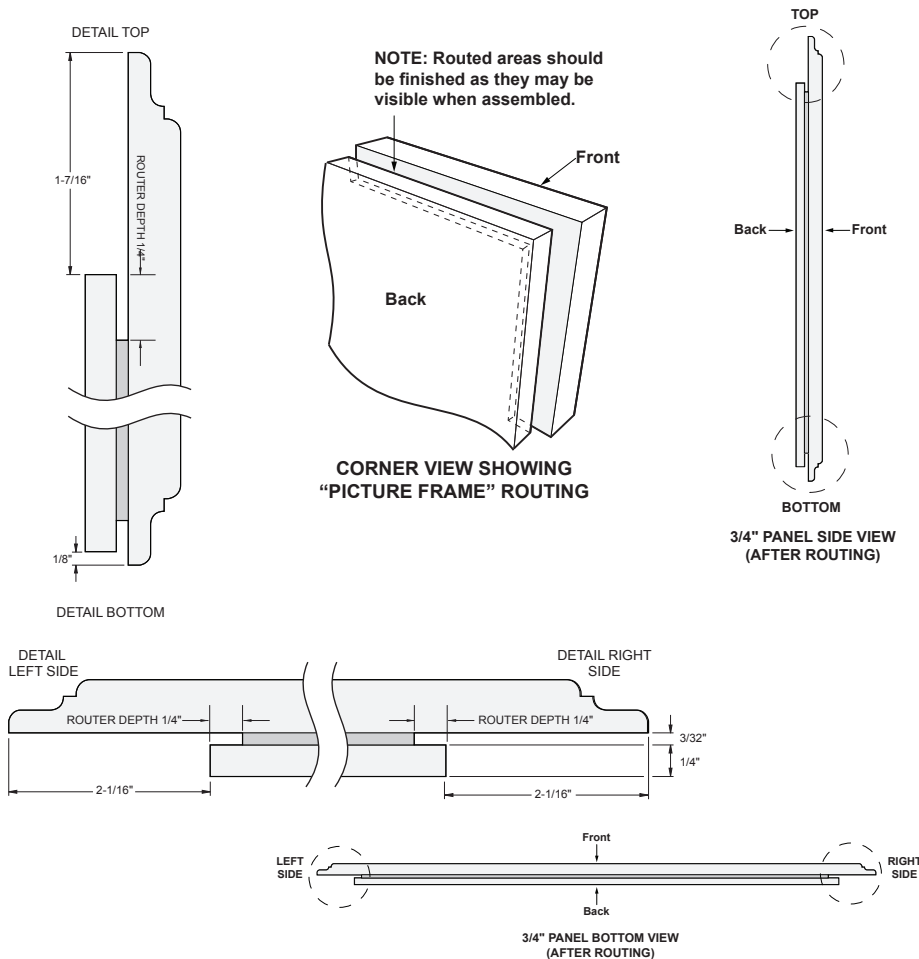
FLUSH INSET 3/4" PANEL DIMENSIONS SINGLE INSTALLATION



PANEL DIMENSIONS

A	B	C
38"	10 7/16"	69 3/4"

3/4" GRILLE DOOR PANEL ROUTING



FLUSH INSET INSTALLATION

HELPFUL TIPS

Trimmed refrigerators are designed to be customized with decorative panels. Field-installed 1/2" or 3/4" custom door and grille panels are required. For 3/4" raised panels, routing is required. The router depth is 1/4" all the way around the panel's backs. Additional panel width reductions are required per the diagrams shown. This will create "picture frame" routing allowing the panels to slide into the attached door and grille trims.

Maximum total panel weight:

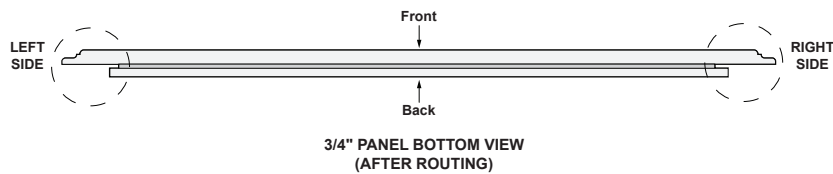
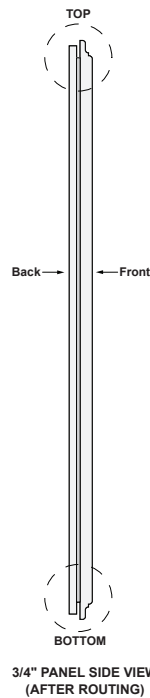
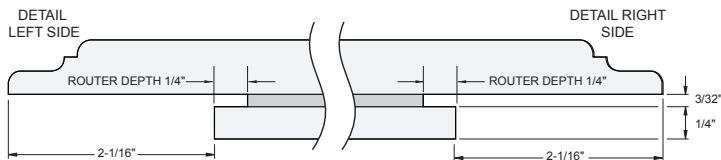
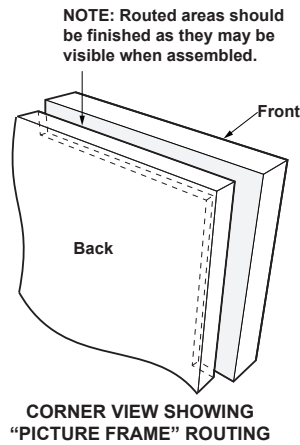
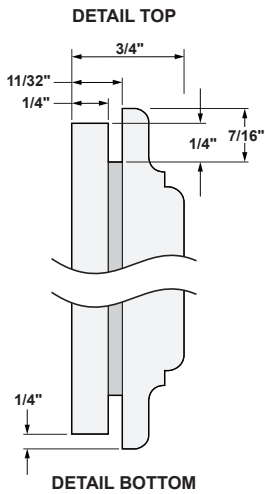
- Door panel – 67 lbs.
- Grille panel – 11 lbs

Note: For panels constructed with rails and stiles (5-panel), the rails must be a minimum of 3" wide and stiles must be a minimum of 4" wide.

Door Handles:
Custom handles are required for flush installation.

Order a ZKBFN720NII unification kit for an integrated appearance on 2 custom panel models installed side-by-side.

3/4" RAISED DOOR PANEL ROUTING



FLUSH INSET INSTALLATION

HELPFUL TIPS

Trimmed refrigerators are designed to be customized with decorative panels. Field-installed 1/2" or 3/4" custom door and grille panels are required. For 3/4" raised panels, routing is required. The router depth is 1/4" all the way around the panel's backs. Additional panel width reductions are required per the diagrams shown. This will create "picture frame" routing allowing the panels to slide into the attached door and grille trims.

Maximum total panel weight:

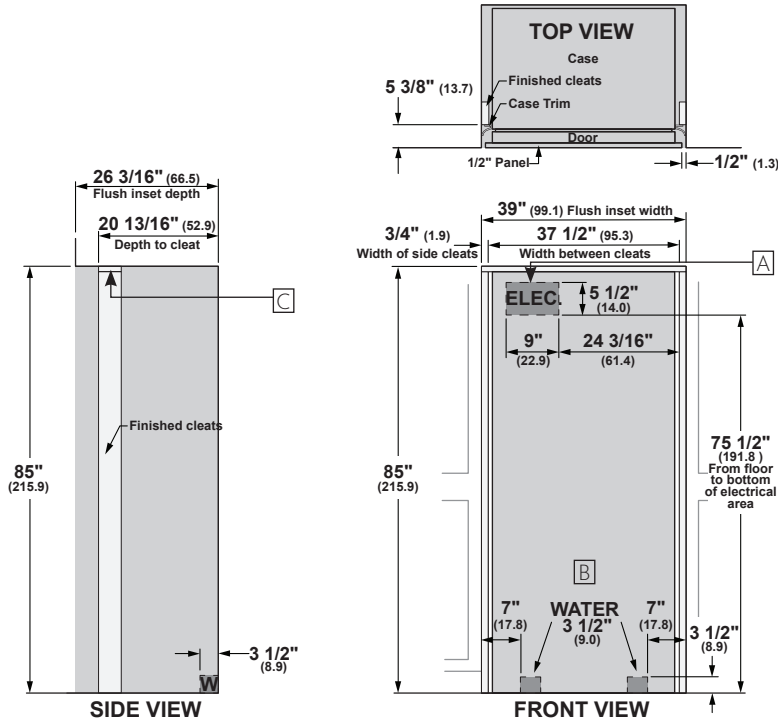
- Door panel – 67 lbs.
- Grille panel – 11 lbs

Note: For panels constructed with rails and stiles (5-panel), the rails must be a minimum of 3" wide and stiles must be a minimum of 4" wide.

Door Handles:
Custom handles are required for flush installation.

Order a ZKBFN720NII unification kit for an integrated appearance on 2 custom panel models installed side-by-side.

FLUSH INSET INSTALLATION 1/2" PANELS



FLUSH INSET INSTALLATION

HELPFUL TIPS

- A** Mounting the junction box in this location will also allow for front accessibility through access panel.
- B** Water supply area.
- C** Top cleat should be 1" thick



WARNING:

The freezer is top heavy and must be secured to prevent the possibility of tipping forward. Failure to do so may result in death or serious injury.

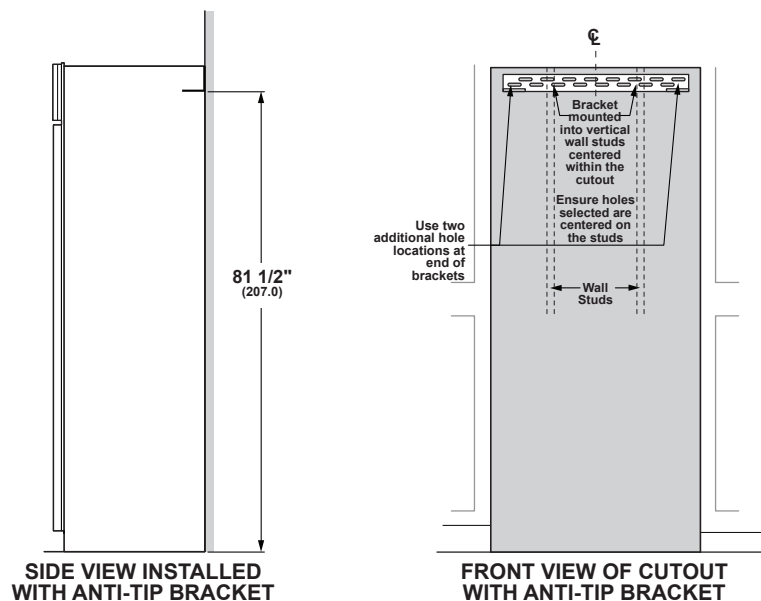
The information below is for cabinet design only. When installing the anti-tip system you must use the product installation instructions.

The information below applies to all installation constructions:

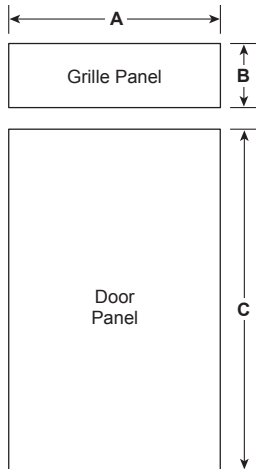
- A wall bracket, bolts and toggles will be supplied with the unit.
- The bolts will be used to attach bracket to wall in 4 locations. Two of the locations must penetrate the center of the wall studs.
- The toggles are used for stability in drywall and when metal studs are encountered. Lag bolts are used in wood studs.
- In installation opening, measure 81 1/2" from floor and draw a horizontal line.
- Locate and mark the wall studs on horizontal line. Verify at least two studs have their centerlines within the center 32 1/2" of installation opening to ensure 2 wall studs are penetrated.
- The bracket will be centered left to right in opening with bottom of bracket on the horizontal line.
- When unit is placed in opening, the bracket tabs will align with openings in back of the unit. The unit will be secured to the bracket using supplied "L" bolts.

See Installation Instructions for detailed instructions.

ANTI-TIP BRACKET



FLUSH INSET 1/2" PANEL DIMENSIONS SINGLE INSTALLATION



PANEL DIMENSIONS

	A	B	C
1/4" Backer Panel	33 7/8"	8 7/8"	69 5/16"
.10" Spacer Panel	32 1/2"	7 5/8"	67 15/16"
1/2" Overlay Panel	38"	10 7/16"	69 3/4"

FLUSH INSET INSTALLATION

HELPFUL TIPS

The 1/2" overlay panel must be secured to a .10" spacer panel and a 1/4" thick backer panel, which slides into the trim.

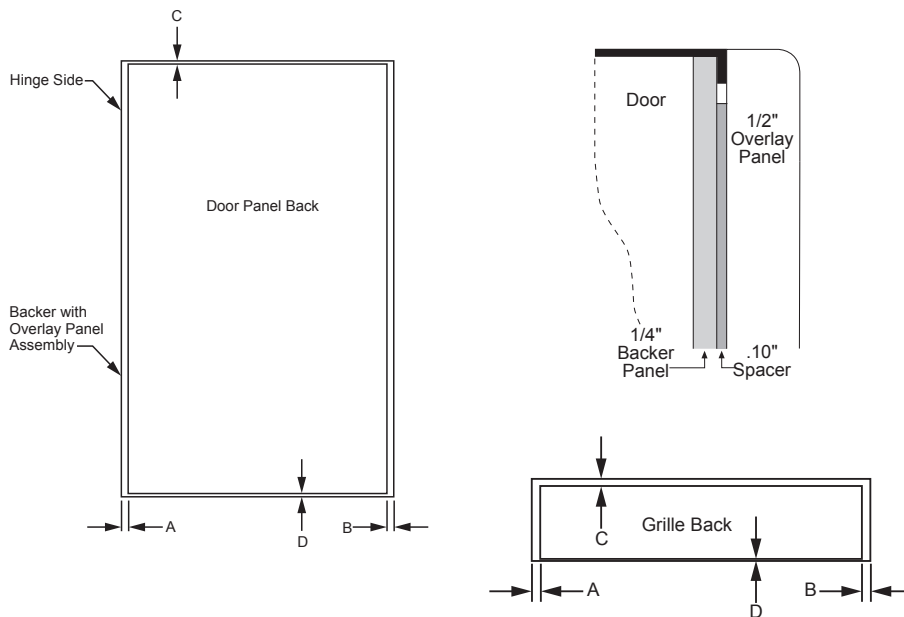
Assemble the panels with glue and screws:

- Center the spacer panel on the backer panel, left to right and top to bottom. Secure the panels with glue.
- Refer to the chart for locating the backer panel to the overlay panel. Secure the overlay panel to the backer panel with glue and screws. Screws must be countersunk into the backer panel.

Order a ZKBFN720NII unification kit for an integrated appearance on 2 custom panel models installed side-by-side.

Note: For panels constructed with rails and stiles (5-panel), the rails must be a minimum of 3" wide and stiles must be a minimum of 4" wide.

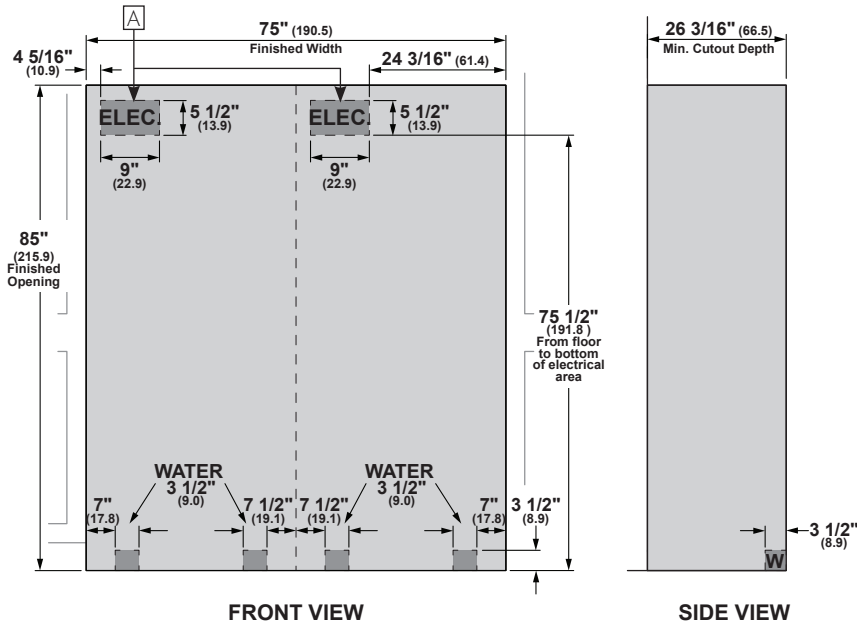
1/2" OUTER PANEL TO BACKER PLACEMENT



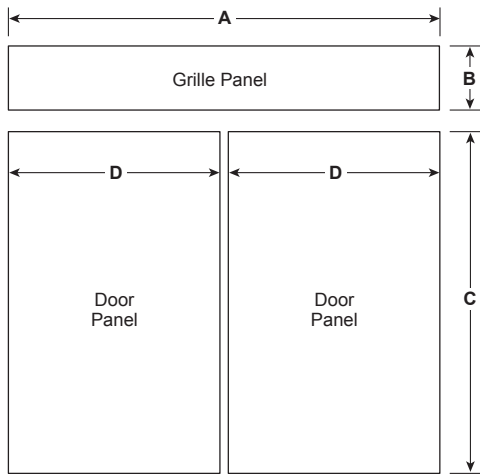
PANEL DIMENSIONS

	A	B	C	D
Door Panel	2 1/16"	2 1/16"	3/16"	1/4"
.Grill Panel	2 1/16"	2 1/16"	1 7/16"	1/8"

DUAL INSTALLATIONS



FLUSH INSET 1/2" PANEL DIMENSIONS DUAL INSTALLATION



PANEL DIMENSIONS

	A	B	C	D
1/4" Backer Panel	69 7/8"	8 7/8"	69 5/16"	33 7/8"
.10" Spacer Panel	68 1/2"	7 5/8"	67 15/16"	32 1/2"
1/2" Overlay Panel	74"	10 7/16"	69 3/4"	36 7/8"

FLUSH INSET INSTALLATION

HELPFUL TIPS

Trimmed refrigerators are designed to be customized with decorative panels. Field-installed 1/2" or 3/4" custom door, drawer and grille panels are required. For 3/4" raised panels, routing is required. The router depth is 1/4" all the way around the panel's backs. Additional panel width reductions are required per the diagrams shown. This will create "picture frame" routing allowing the panels to slide into the attached door, drawer and grille trims.

Maximum total panel weight:

- Fresh food door panels – 67 lbs.
- Grille panel – 25 lbs

Door Handles:

Custom handles are required for flush installation.

Order a ZKBFN720NII unification kit for an integrated appearance on 2 custom panel models installed side-by-side.

The 1/2" overlay panel must be secured to a .10" spacer panel and a 1/4" thick backer panel, which slides into the trim.

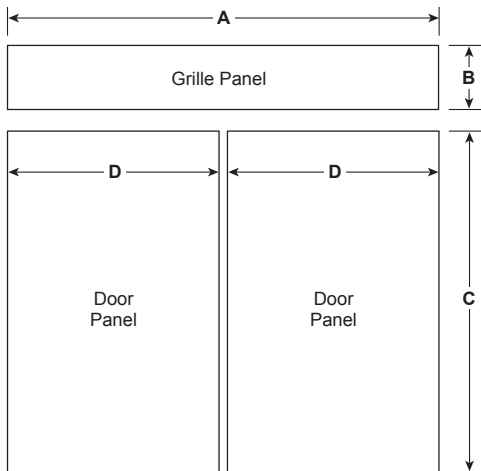
Assemble the panels with glue and screws:

- Center the spacer panel on the backer panel, left to right and top to bottom. Secure the panels with glue.

- Refer to the single unit flush installation diagram on pg 7 for backer to 1/2" overlay panel placement.

A A Separate 115V, 60Hz, 15 or 20 amp power supply is recommended for each product.

FLUSH INSET 3/4" PANEL DIMENSIONS DUAL INSTALLATION



PANEL DIMENSIONS

A	B	C	D
74"	10 7/16"	69 3/4"	36 7/8"

FLUSH INSET INSTALLATION

HELPFUL TIPS

Trimmed refrigerators are designed to be customized with decorative panels. Field-installed 1/2" or 3/4" custom door, drawer and grille panels are required. For 3/4" raised panels, routing is required. The router depth is 1/4" all the way around the panel's backs. Additional panel width reductions are required per the diagrams shown. This will create "picture frame" routing allowing the panels to slide into the attached door, drawer and grille trims.

Maximum total panel weight:

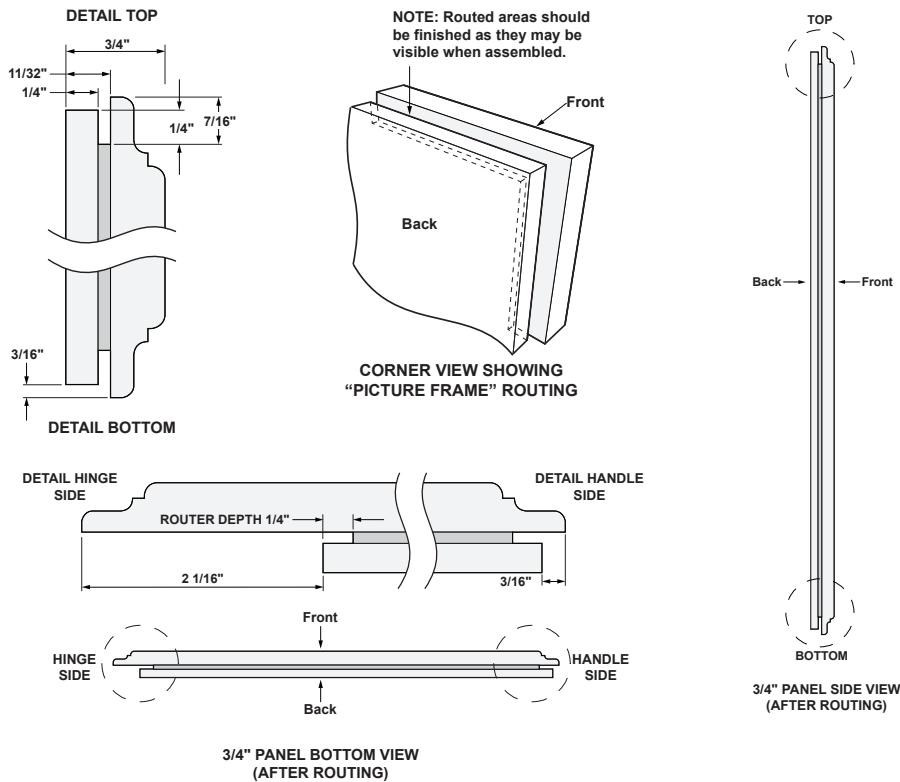
- Fresh food door panels – 67 lbs.
- Grille panel – 25 lbs.

Door Handles:

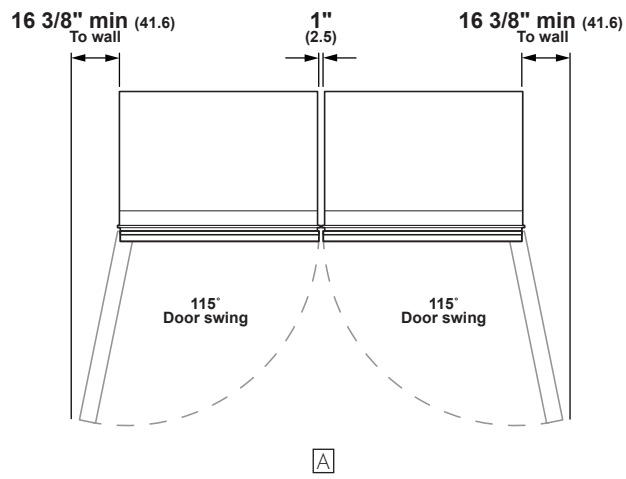
Custom handles are required for flush installation.

Order a ZKBFN720NII unification kit for an integrated appearance on 2 custom panel models installed side-by-side.

3/4" RAISED DOOR PANEL ROUTING
(SEE PAGE 10 FOR 3/4" GRILLE PANEL ROUTING DIAGRAMS)



DUAL PRODUCT CLEARANCES



FLUSH INSET
INSTALLATION

HELPFUL TIPS

- A In a side-by-side installation of a left-and-right-hand door swing product, 1" clearance between the units is achieved naturally when installing trim-to-trim.