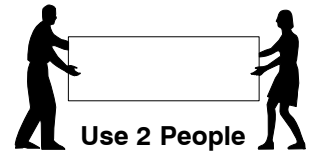
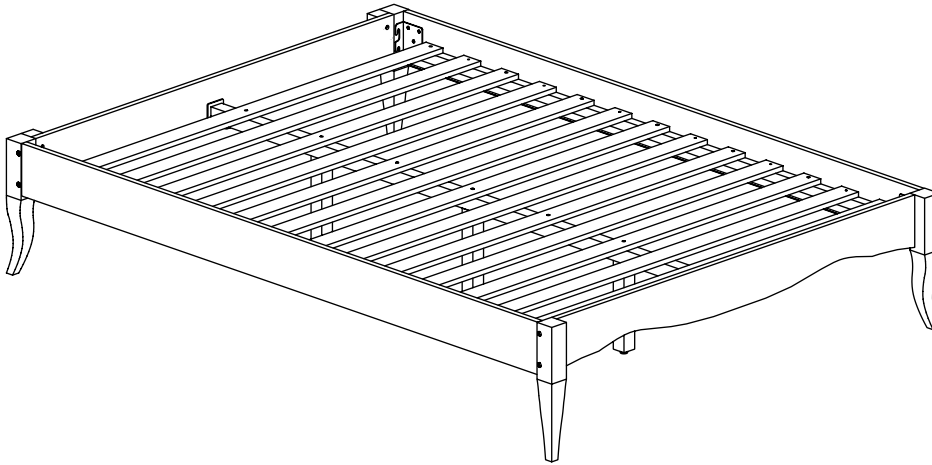


Full Bed

Assembly Instructions

WII-0419

1 Assembled View



Note: Do not assemble using power tools. This can cause the bolts to be overtightened

2 Parts List



A Headboard Panel x 1



B Footboard Panel x 1



E Support Leg x 3



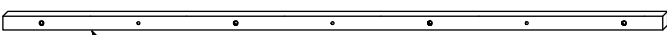
F Post (Left hand) x 2



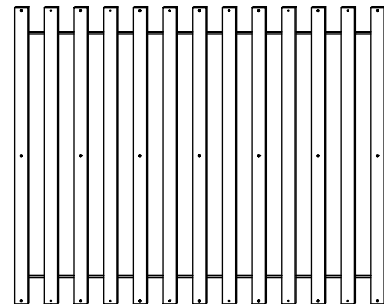
G Post (Right hand) x 2



C Side Rail x 2



D Long Support x 1

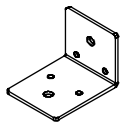


H Set of Bed Slats x 1

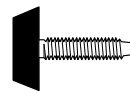
3 Hardware List



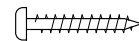
1 M4 Allen Key x 1



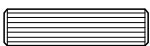
2 Center Rail Bracket x 2



3 Adjustable Foot x 3



4 Wood Screw (M4 x 32mm) x 16



5 Wood Dowel (10 x 40mm) x 4



6 Barrel Nut x 11



7 Spring Washer x 14



8 Flat Washer x 14



9 M6 x 15mm JCB x 4



10 M6 x 20mm JCB x 8



11 M6 x 40mm JCB x 30



12 M6 x 90mm JCB x 8



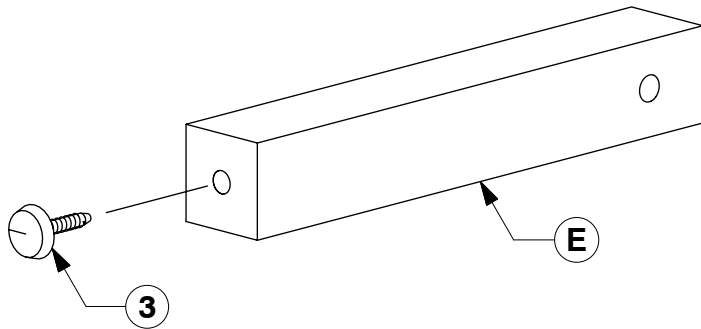
13 M6 x 100mm JCB x 3

Full Bed

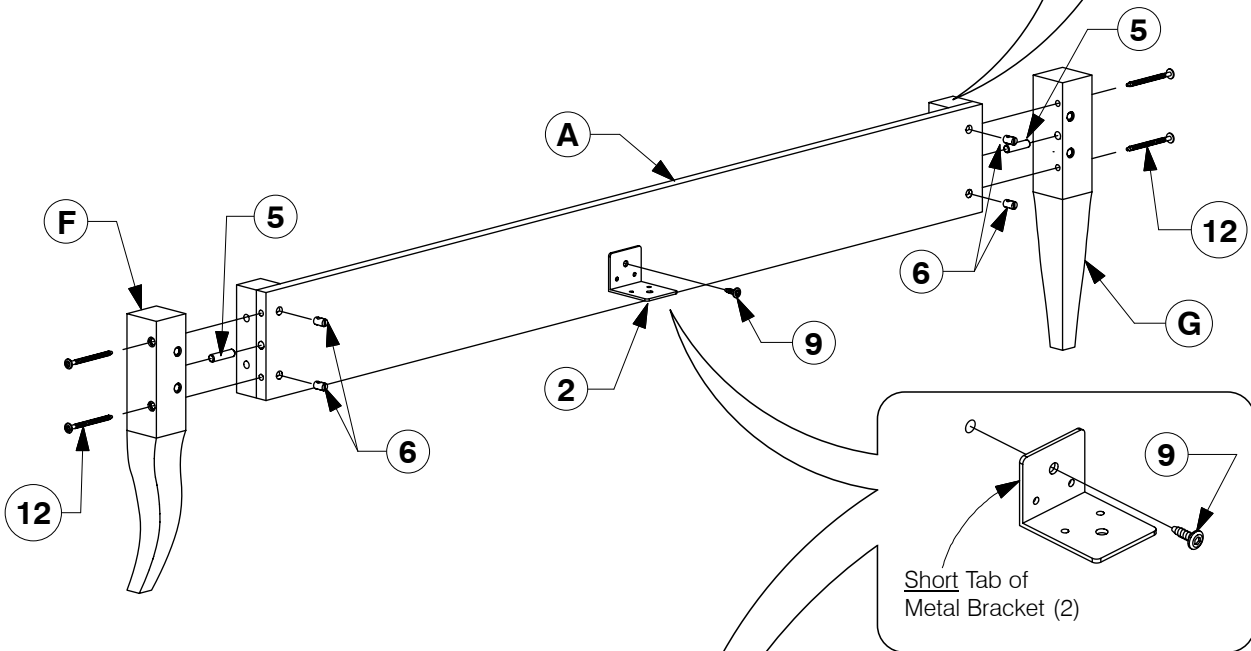
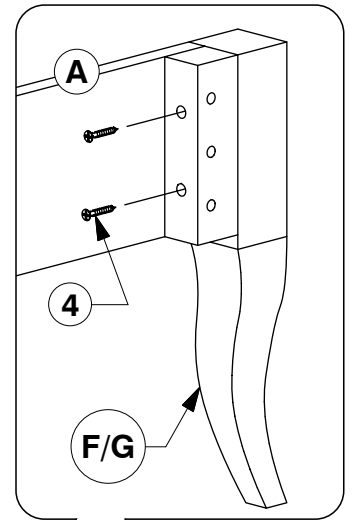
Assembly Instructions

WII-0419

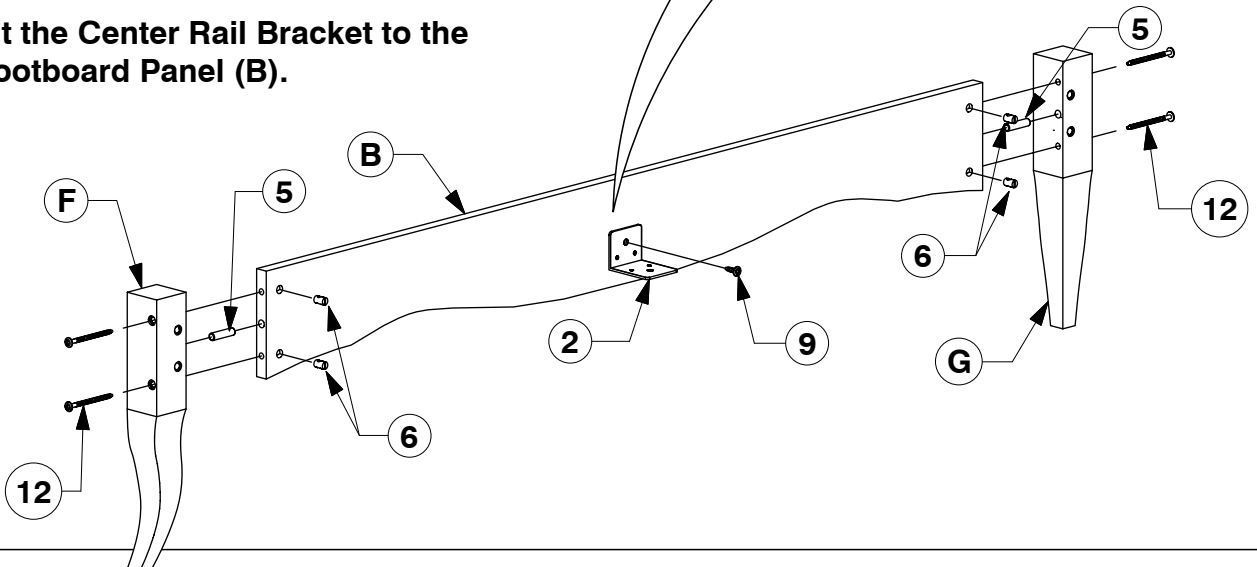
- 4** Fix the Adjustable foot to the bottom of the Support Leg (E).



- 5** Fit the Center Rail Bracket to the Headboard Panel (A). Assemble the Headboard Panel (A) to Post (F/G), using Wood Screw 32mm (4).



- 6** Fit the Center Rail Bracket to the Footboard Panel (B).

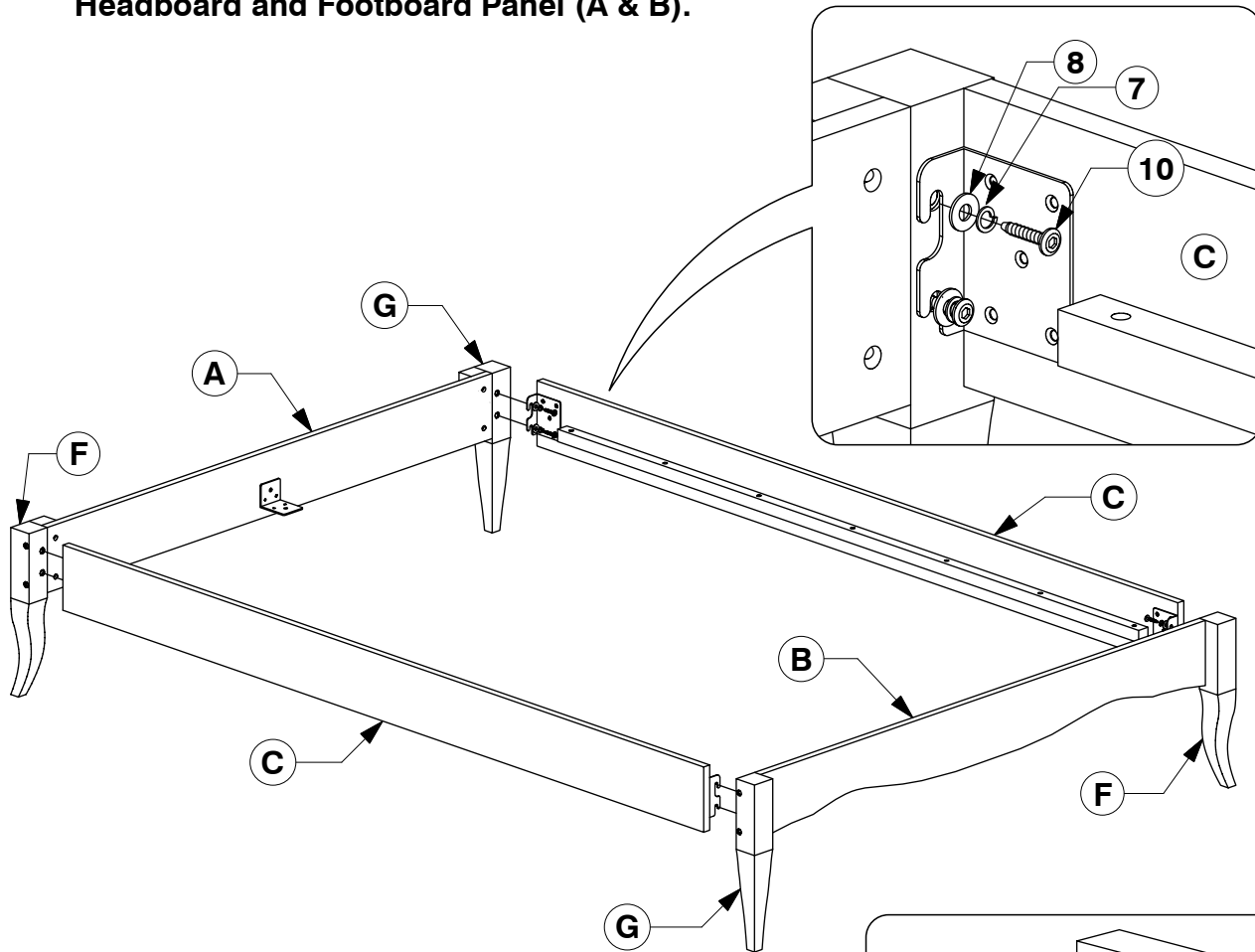


Full Bed

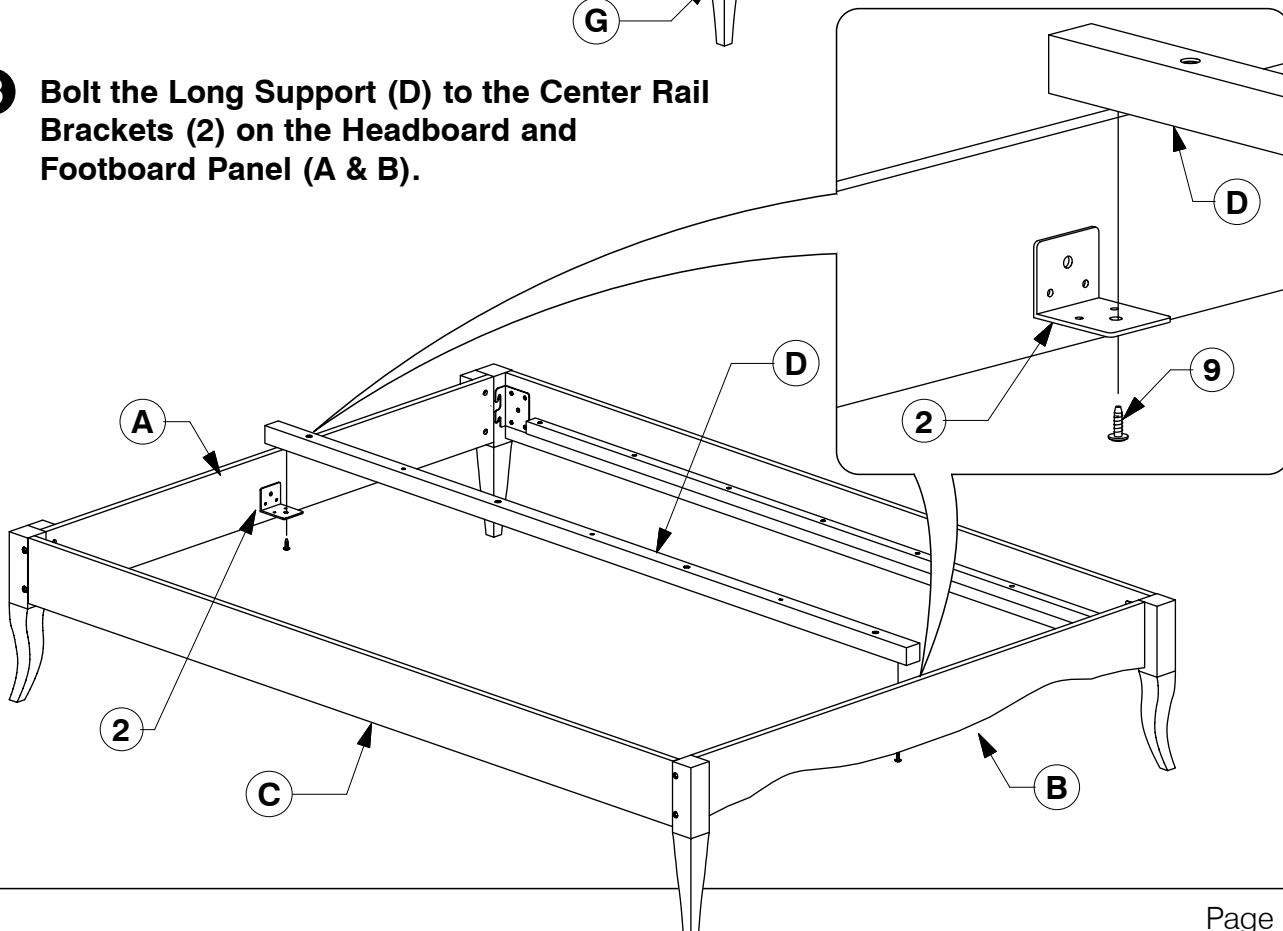
Assembly Instructions

WII-0419

- 7** Assemble the Side Rail (C) to the Headboard and Footboard Panel (A & B).



- 8** Bolt the Long Support (D) to the Center Rail Brackets (2) on the Headboard and Footboard Panel (A & B).

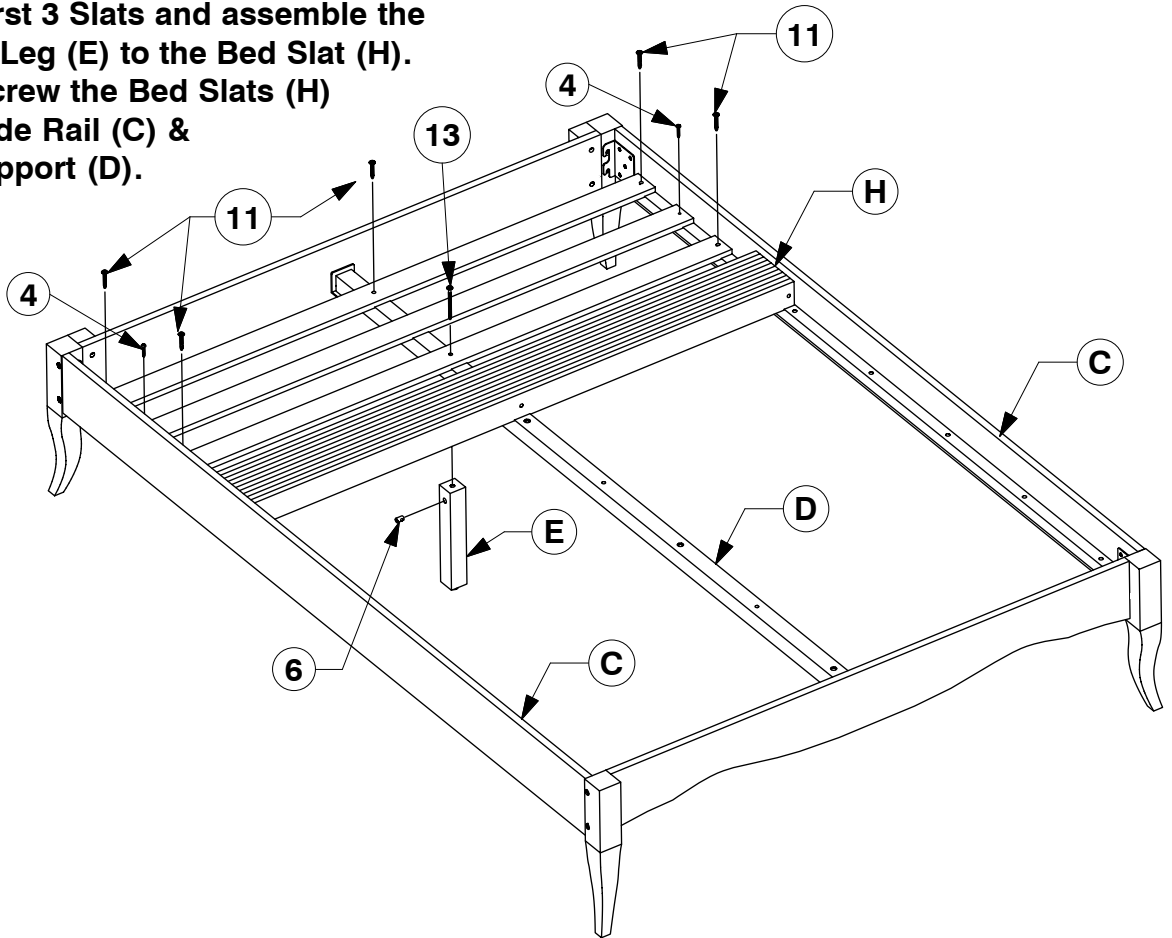


Full Bed

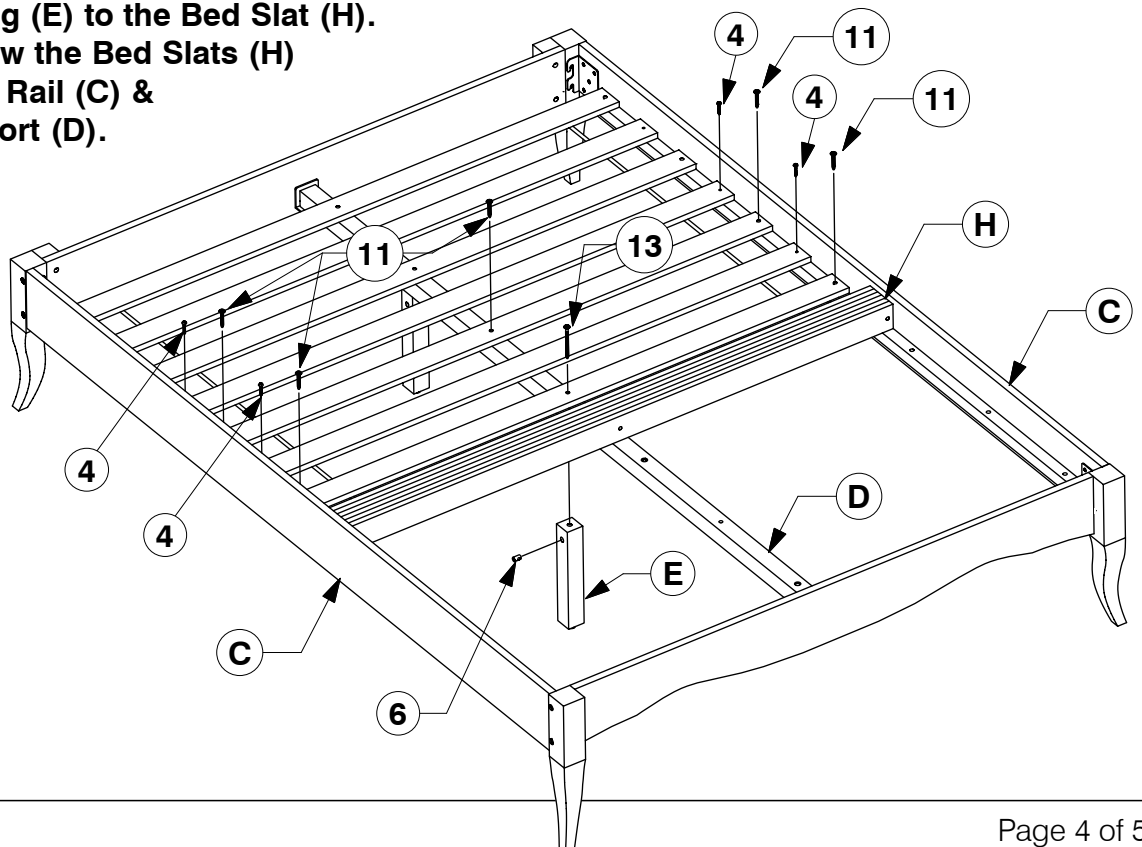
Assembly Instructions

WII-0419

- 9** Fit the first 3 Slats and assemble the Support Leg (E) to the Bed Slat (H). Bolt & screw the Bed Slats (H) to the Side Rail (C) & Long Support (D).



- 10** Fit the other Slats out and assemble the Support Leg (E) to the Bed Slat (H). Bolt & screw the Bed Slats (H) to the Side Rail (C) & Long Support (D).

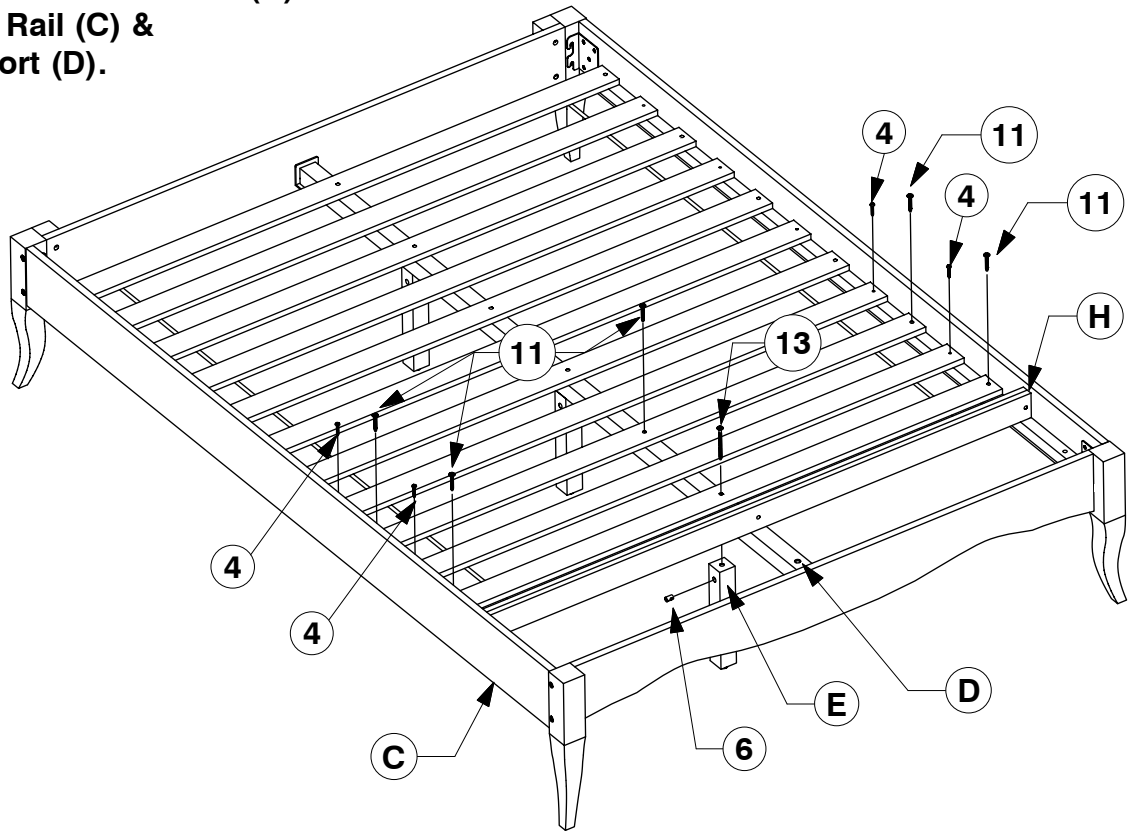


Full Bed

Assembly Instructions

WII-0419

- 11** Fit the other Slats out and assemble the Support Leg (E) to the Bed Slat (H). Bolt & screw the Bed Slats (H) to the Side Rail (C) & Long Support (D).



- 12** Bolt & screw the remaining Bed Slats (H) to the Side Rail (C).

