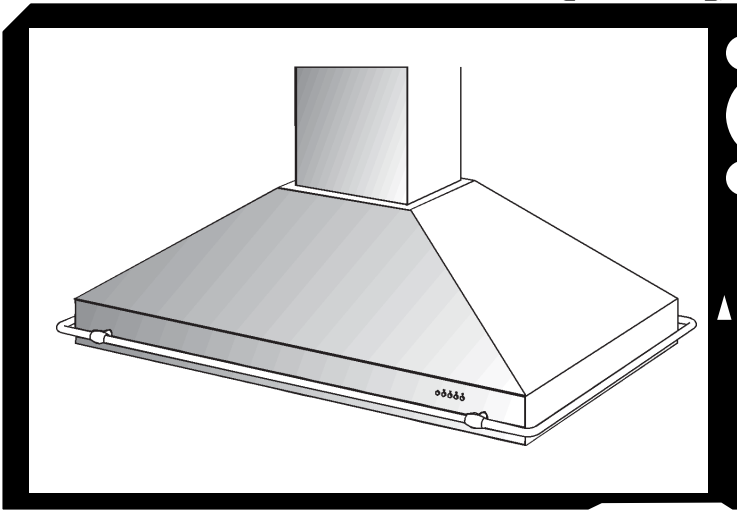


best[®]
by **BROAN**[®]



Model ISER222

ENGLISH.....	2
FRANÇAIS.....	11
ESPAÑOL.....	20

READ AND SAVE THESE INSTRUCTIONS

 **INTENDED FOR DOMESTIC COOKING ONLY** 

WARNING

TO REDUCE THE RISK OF FIRE, ELECTRIC SHOCK, OR INJURY TO PERSONS, OBSERVE THE FOLLOWING:

1. Use this unit only in the manner intended by the manufacturer. If you have questions, contact the manufacturer at the address or telephone number listed in the warranty.
2. Before servicing or cleaning unit, switch power off at service panel and lock service panel to prevent power from being switched on accidentally. When the service disconnecting means cannot be locked, securely fasten a prominent warning device, such as a tag, to the service panel.
3. Installation work and electrical wiring must be done by a qualified person(s) in accordance with all applicable codes and standards, including fire-rated construction codes and standards.
4. Sufficient air is needed for proper combustion and exhausting of gases through the flue (chimney) of fuel burning equipment to prevent backdrafting. Follow the heating equipment manufacturer's guidelines and safety standards such as those published by the National Fire Protection Association (NFPA), and the American Society for Heating, Refrigeration and Air Conditioning Engineers (ASHRAE), and the local code authorities.
5. When cutting or drilling into wall or ceiling, do not damage electrical wiring and other hidden utilities.
6. Ducted fans must always be vented to the outdoors.
7. Do not use this unit with any separate solid-state speed control device.
8. To reduce the risk of fire, use only metal ductwork.
9. This unit must be grounded.

TO REDUCE THE RISK OF A RANGE TOP GREASE FIRE:

- A. Never leave surface units unattended at high settings. Boilovers cause smoking and greasy spillovers that may ignite. Heat oils slowly on low or medium settings.
- B. Always turn hood ON when cooking at high heat or when flambeing food (i.e. Crepes Suzette, Cherries Jubilee, Peppercorn Beef Flambe').
- C. Clean ventilating fans frequently. Grease should not be allowed to accumulate on fan or filter.
- D. Use proper pan size. Always use cookware appropriate for the size of the surface element.

WARNING

TO REDUCE THE RISK OF INJURY TO PERSONS IN THE EVENT OF A RANGE TOP GREASE FIRE, OBSERVE THE FOLLOWING:*

1. **SMOTHER FLAMES** with a close-fitting lid, cookie sheet, or metal tray, then turn off the burner. **BE CAREFUL TO PREVENT BURNS.** If the flames do not go out immediately, **EVACUATE AND CALL THE FIRE DEPARTMENT.**
2. **NEVER PICK UP A FLAMING PAN** - You may be burned.
3. **DO NOT USE WATER**, including wet dishcloths or towels - violent steam explosion will result.
4. Use an extinguisher **ONLY** if:
 - A. You know you have a Class ABC extinguisher and you already know how to operate it.
 - B. The fire is small and contained in the area where it started.
 - C. The fire department is being called.
 - D. You can fight the fire with your back to an exit.

* Based on "Kitchen Fire Safety Tips" published by NFPA.

CAUTION

1. To reduce risk of fire and to properly exhaust air, be sure to duct air outside. Do not vent exhaust air into spaces within walls or ceilings or into attics, crawl spaces, or garages.
2. Take care when using cleaning agents or detergents.
3. Avoid using food products that produce flames under the Range Hood.
4. For general ventilating use only. Do not use to exhaust hazardous or explosive materials and vapors.
5. To avoid motor bearing damage and noisy and/or unbalanced impellers, keep drywall spray, construction dust, etc. off power unit.
6. Your hood motor has a thermal overload which will automatically shut off the motor if it becomes overheated. The motor will restart when it cools down. If the motor continues to shut off and restart, have the hood serviced.
7. For best capture of cooking impurities, the bottom of the hood should be a minimum of 24" and a maximum of 30" above the cooking surface.
8. 3 installers are recommended because of the large size and weight of this hood.
9. This product is equipped with a thermostat which may start blower automatically. To reduce the risk of injury and to prevent power from being switched on accidentally, switch power off at service panel and lock or tag service panel.
10. Use with approved cord-connection kit only.
11. Please read specification label on product for further information and requirements.

PREPARE THE HOOD

Unpack hood and check contents.

You should receive:

- 1 - Hood
- 1 - Decorative Flue Assembly
- 1 - Support Frame
- 1 - Parts Bag (B080810610) containing:
 - 4 - Mounting Screws (6 x 70mm)
 - 8 - Washers \varnothing 6.4mm
 - 4 - Washers \varnothing 4.5mm
 - 10 - Mounting Screws (3.9 x 9.5mm Pan Head)
 - 4 - Nuts
- 1 - Installation Instructions
- 1 - Warranty Card



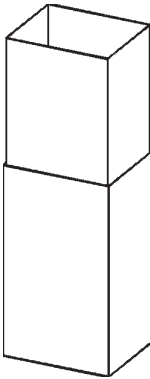
8 WASHERS
 \varnothing 6.4mm



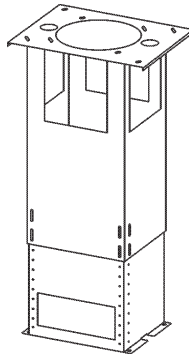
4 WASHERS
 \varnothing 4.5mm



4 NUTS



DECORATIVE
FLUE

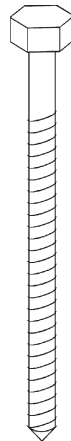


SUPPORT
FRAME



10 MOUNTING
SCREWS
(3.9x9.5mm
Pan Head)

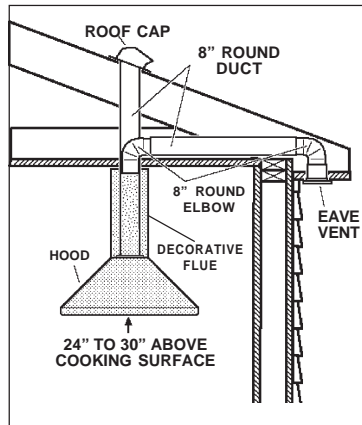
4 MOUNTING
SCREWS (6x70mm)



INSTALL THE DUCTWORK

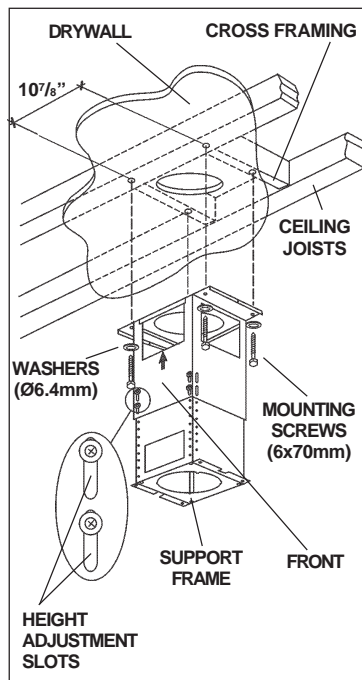
NOTE: To reduce the risk of fire, use only metal ductwork.

1. Decide where the ductwork will run between the hood and the outside.
2. A straight, short duct run will allow the hood to perform most efficiently.
3. Long duct runs, elbows, and transitions will reduce the performance of the hood. Use as few of them as possible.
4. Install a roof or wall cap. Connect 8" round metal ductwork to cap and work back towards hood location. Use duct tape to seal the joints between ductwork sections.

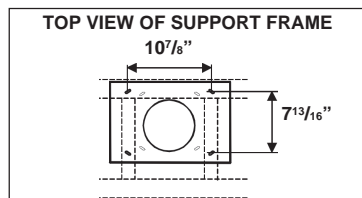


INSTALL SUPPORT SYSTEM

1. At hood location, install 2 x 4 **cross framing** between **ceiling joists** using dimensions shown.
2. Finish the ceiling surface. Be sure to mark the location of the ceiling joists and cross framing.
3. Position **the support frame** so that the **support frame opening** is on the long side of the hood.
4. Secure the upper half of support frame to joists and cross framing with four screws (6x70mm) and four washers (D.6.4mm). Make sure screws are driven into center of joists and framing for maximum strength.
5. Adjust the overall height of the support frame. Loosen and re-tighten the 4 screws in the **height adjustment slots** as necessary. Insert 4 screws (3.9x9.5mm) and 4 washers (D.4.5mm) located in the Hardware Package. Note that #4 screws and #4 washers can be located on the front, and #4 screws and #4 washers can be located on the opposite face (rear).

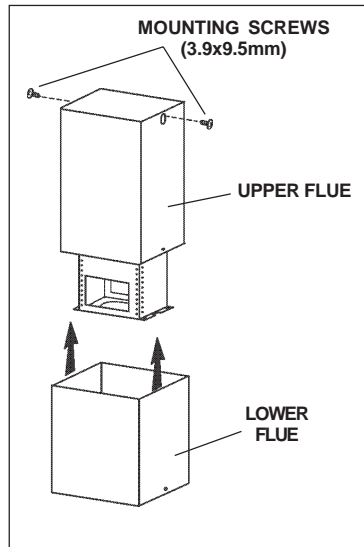
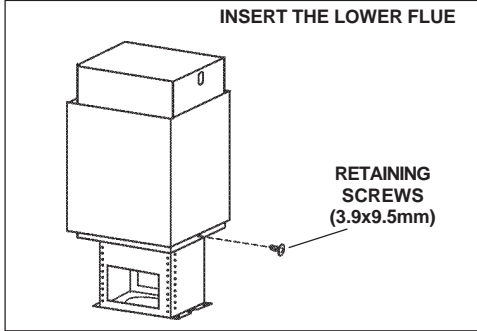


Note that the hood height is 13³/₄" and that the bottom of the hood must be 24" min. and 30" max. above the cooktop.



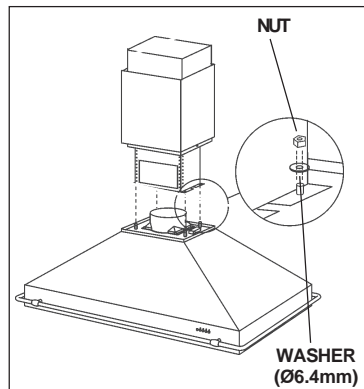
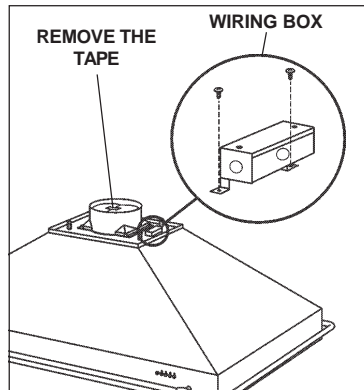
CONNECT DECORATIVE FLUE

1. Secure the **upper flue** to the upper support frame with the mounting screws (3.9x9.5mm).
2. Insert the **lower flue** moving it completely towards the top and fix it temporarily with retaining screws (3.9x9.5mm).



MOUNT HOOD TO SUPPORT FRAME

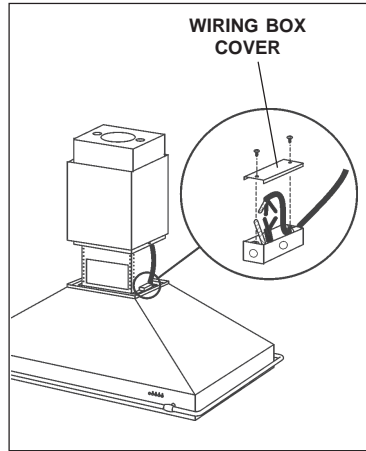
1. Remove the tape located on the damper.
2. Before mount hood to support frame remove the wiring box.
3. Use four (4) **nuts** and four (4) **washers** (D.6.4mm) to secure hood to support frame as shown.
4. Replace wiring box.



WIRING

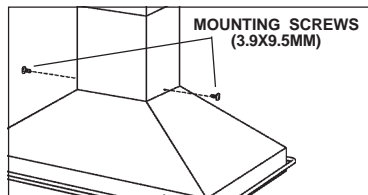
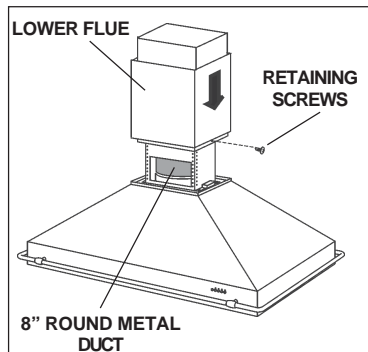
Note: This range hood must be properly grounded. The unit should be installed by a qualified electrician in accordance with all applicable national and local electrical codes.

1. Remove the **wiring box cover**. Remove a knockout from the wiring box.
2. Feed 6" of power cable through the knockout opening and secure cable to the wiring box with an appropriate connector.
3. Make electrical connections. Connect white to white, black to black and green to green.
4. Replace wiring box cover and screws. Make sure that wires are not pinched between cover and box.



CONNECT DUCTWORK

1. Use **8" round metal duct** to connect the discharge collar on the hood to the ductwork above.
2. Use duct tape to make all joints secure and air tight.
3. Remove the two temporary retaining screws from the lower flue and set it in place on the hood.
4. Secure decorative flue to hood with two mounting screws (3.9x9.5mm).

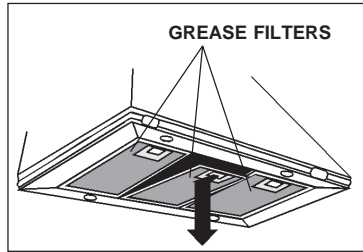


MAINTENANCE

Grease Filters

The **grease filters** should be cleaned frequently. Use a warm detergent solution. Grease filters are dishwasher safe.

To take off the grease filters: at the handle, push the stop inwards and pull the filters downwards.



Hood Cleaning

Stainless steel is one of the easiest materials to keep clean. Occasional care will help preserve its fine appearance.

Cleaning tips:

- Hot water with soap or detergent is all that is usually needed.
- Follow all cleaning by rinsing with clear water. Wipe dry with a clean, soft cloth to avoid water marks.
- For discolorations or deposits that persist, use a non-scratching household cleanser or stainless steel polishing powder with a little water and a soft cloth.
- For stubborn cases, use a plastic scouring pad or soft bristle brush together with cleanser and water. Rub lightly in direction of polishing lines or "grain" of the stainless finish. Avoid using too much pressure which may mar the surface.
- **DO NOT** allow deposits to remain for long periods of time.
- **DO NOT** use ordinary steel wool or steel brushes. Small bits of steel may adhere to the surface causing rust.
- **DO NOT** allow salt solutions, disinfectants, bleaches, or cleaning compounds to remain in contact with stainless steel for extended periods. Many of these compounds contain chemicals which may be harmful. Rinse with water after exposure and wipe dry with a clean cloth.

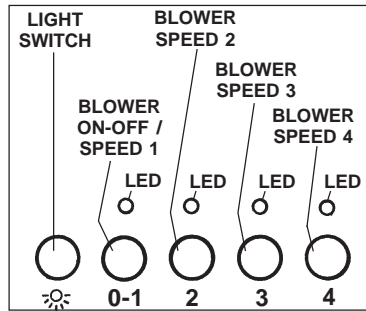
Painted surfaces should be cleaned with warm water and mild detergent only.

OPERATION

Controls

The hood is operated using the (5) push-buttons located at eye-level, on the front edge of the hood.

The **light switch** turns the halogen lights on and off. Push the light switch once to turn the lights ON - push a second time to turn the lights ON to a brighter level - push a third time to turn the lights OFF.



The **blower on-off / speed 1** switch turns the blower on to its lowest running speed. To turn OFF the blower, push in and hold this blower switch for approximately 2 seconds.

The **blower speed 2** switch turns the blower on to medium-low running speed. Pressing this switch a second time sets a timer which keeps the blower operating at this speed for 10 minutes. The **LED** will blink during this time and the blower will shut off automatically.

The **blower speed 3 and blower speed 4** switches operate the same as blower speed 2 switch except: Blower speed 3 is medium-high and blower speed 4 is high.

After every 30 hours of operation, the LED above the “blower speed 1 switch” will be illuminated (RED) and blink for 30 seconds after turning off the blower. This is a reminder to clean the grease filters. Once the grease filters are cleaned and installed, press in and hold the “light setting” button for approximately 2 seconds during the blink of the LED.

HEAT SENTRY™

Your hood is equipped with a HEAT SENTRY™ thermostat. This thermostat is a device that will turn on or speed up the blower if it senses excessive heat above the cooking surface.

1) If blower is OFF - it turns blower ON to HIGH speed.

2) If blower is ON at a lower speed setting - it turns blower up to HIGH speed.

When the temperature level drops to normal, the blower will return to its original setting.

WARNING

The HEAT SENTRY thermostat can start the blower even if the hood is turned OFF. When this occurs, it is impossible to turn the blower OFF with its switch. If you must stop the blower, do it from the main electrical panel.

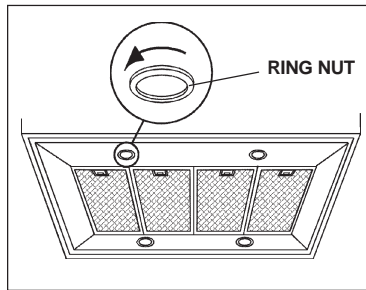
HALOGEN BULBS

This range hood requires four (4) halogen bulbs (Type JC, 12Volt, 20Watt Max, G-4 Base).

ALWAYS SWITCH OFF THE ELECTRICITY SUPPLY BEFORE CARRYING OUT ANY OPERATIONS ON THE APPLIANCE.

To change bulbs:

1. Loosen the ring nut by turning it counterclockwise.
2. Remove the bulb by pulling sideward - DO NOT ROTATE. **CAUTION: BULB MAY BE HOT!**
3. Replace with Type JC, 12Volt, 20Watt Max, G-4 Base halogen bulb. Do not touch replacement bulb with bare hands!



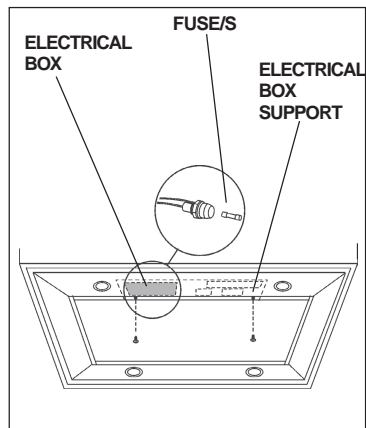
FUSE REPLACEMENT

SWITCH OFF THE ELECTRICITY SUPPLY.

Remove the grease filters.

Remove the electrical box support and open the electrical box.

Replace with the same type of fuse (5x20mm, 4A, 125V).



WARRANTY

BROAN ONE YEAR LIMITED WARRANTY

Broan warrants to the original consumer purchaser of its products that such products will be free from defects in materials or workmanship for a period of one year from the date of original purchase. THERE ARE NO OTHER WARRANTIES, EXPRESS OR IMPLIED, INCLUDING, BUT NOT LIMITED TO, IMPLIED WARRANTIES OR MERCHANTABILITY OR FITNESS FOR A PARTICULAR PURPOSE.

During this one-year period, Broan will, at its option, repair or replace, without charge, any product or part which is found to be defective under normal use and service.

THIS WARRANTY DOES NOT EXTEND TO FLUORESCENT LAMP STARTERS AND TUBES. This warranty does not cover (a) normal maintenance and service or (b) any products or parts which have been subject to misuse, negligence, accident, improper maintenance or repair (other than by Broan), faulty installation or installation contrary to recommended installation instructions.

The duration of any implied warranty is limited to the one-year period as specified for the express warranty. Some states do not allow limitation on how long an implied warranty lasts, so the above limitation may not apply to you. BROAN'S OBLIGATION TO REPAIR OR REPLACE, AT BROAN'S OPTION, SHALL BE THE PURCHASER'S SOLE AND EXCLUSIVE REMEDY UNDER THIS WARRANTY. BROAN SHALL NOT BE LIABLE FOR INCIDENTAL, CONSEQUENTIAL OR SPECIAL DAMAGES ARISING OUT OF OR IN CONNECTION WITH PRODUCT USE OR PERFORMANCE. Some states do not allow the exclusion or limitation of incidental or consequential damages, so the above limitation or exclusion may not apply to you.

This warranty gives you specific legal rights, and you may also have other rights, which vary from state to state. This warranty supersedes all prior warranties.

To qualify for warranty service, you must (a) notify Broan at the address stated below or telephone: 1-800-637-1453, (b) give the model number and part identification and (c) describe the nature of any defect in the product or part. At the time of requesting warranty service, you must present evidence of the original purchase date.

BEST BY BROAN, P.O. Box 140 Hartford, Wisconsin 53027

LISEZ ET CONSERVEZ CES INSTRUCTIONS

 **SEULEMENT POUR UTILISATION DOMESTIQUE** 

AVERTISSEMENTS

POUR REDUIRE LES RISQUES D'INCENDIE, DE DECHARGES ELECTRIQUES OU DE DOMMAGES AUX PERSONNES, OBSERVEZ LES INSTRUCTIONS SUIVANTES:

1. N'utilisez cet appareil que comme cela est indiqué par le constructeur. Si vous avez des problèmes, contactez le fabricant à l'adresse ou au numéro de téléphone indiqués dans la garantie.
2. Avant de pourvoir à l'entretien ou au nettoyage de votre appareil, éteignez-le au tableau des commandes ou bloquez le tableau des commandes afin d'éviter de le mettre en marche accidentellement. Si vous ne pouvez pas bloquer le système permettant d'éteindre votre appareil, appliquez un avertissement extérieur d'une façon sûre, comme par exemple un panneau, sur le tableau des commandes.
3. L'assemblage et la connexion électrique doivent être faits par des personnes qualifiées en respectant les normes et règlements en vigueur, y compris les normes et règlements concernant les possibilités d'incendie.
4. Il est indispensable qu'il y ait suffisamment d'air pour que la combustion et l'évacuation des gaz à travers le tuyau du brûleur du combustible ait lieu sans retour de flamme. Suivez les indications données par le fabricant du brûleur ainsi que les normes de sécurité comme celles qui sont publiées par l'Association Nationale pour la Protection contre les Incendies National Fire Protection Association (NFPA) et la American Society for Heating, Refrigeration and Air Conditioning Engineers (ASHRAE), et les autorités locales en matière de normes.
5. Quand vous coupez ou percez des trous dans le mur ou le plafond, n'abîmez pas les fils électriques ou autres.
6. Le ventilateur canalisé doit toujours évacuer l'air vers l'extérieur.
7. N'utilisez pas cet appareil avec un appareil contrôlant la vitesse à état solide.
8. Afin de diminuer tout risque d'incendie n'utilisez que des conduits en métal.
9. Votre appareil doit être relié à la terre.

ATTENTION - POUR REDUIRE LES RISQUES D'INCENDIE DES MATIERES GRASSES QUI SONT EN TRAIN DE CUIRE:

- A. Ne laissez jamais ni vos éléments chauffants, ni vos casseroles ou poêles sur le feu sans les contrôler si vous réglez l'apport de chaleur sur une position élevée. Si vos casseroles ou poêles débordent cela provoque de la vapeur et des éclaboussures de graisse qui peuvent prendre feu. Chauffez les huiles lentement à feu bas ou moyen.
- B. Faites toujours fonctionner votre hotte quand vous cuisez à des températures élevées ou quand vous cuisinez des plats flambés. (par ex. crêpes Suzette, Cerises "Jubilé", Steak au poivre flambé).
- C. Nettoyez régulièrement les ailes de vos ventilateurs. Ne permettez pas que la graisse s'accumule sur le ventilateur ou sur le filtre.
- D. Utilisez des casseroles de taille appropriée. Utilisez toujours des ustensiles de cuisson dont la taille est appropriée à la surface de votre élément de cuisson.

AVERTISSEMENTS

POUR REDUIRE LES RISQUES DE DOMMAGES AUX PERSONNES AU CAS OÙ VOTRE CUISINIÈRE PRENDRAIT FEU, OBSERVEZ LES INSTRUCTIONS SUIVANTES:*

1. **ETEINDRE LES FLAMMES** à l'aide d'un couvercle le plus hermétique possible, une plaque à gâteaux, ou un plateau en métal, puis éteindre le brûleur. **ATTENTION à NE PAS VOUS BRÛLER.** Si les flammes ne s'éteignent pas immédiatement, **SORTEZ ET APPELEZ LES POMPIERS.**
2. **NE PRENEZ JAMAIS EN MAIN UNE POÊLE OU UNE CASSEROLE QUI A PRIS FEU** - Vous pourriez vous brûler.
3. **N'UTILISEZ PAS D'EAU,** ni torchons ou serviettes mouillés - vous provoqueriez une violente explosion de vapeur.

4. Utilisez un extincteur SEULEMENT si:
- A. Vous savez que vous avez un extincteur Classe ABC, et vous en connaissez déjà le mode d'emploi.
 - B. Ce n'est pas un très gros incendie et qu'il se limite à l'endroit où il a explosé.
 - C. Vous êtes en train d'avertir les pompiers.
 - D. Vous avez la possibilité d'essayer d'éteindre l'incendie en ayant le dos tourné vers une issue.
- * D'après les "Suggestions concernant la Sécurité contre les incendies des cuisines" publiées par NFPA.

ATTENTION

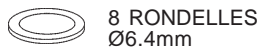
1. Pour réduire tout risque d'incendie et pour évacuer correctement l'air, assurez-vous de prévoir un conduit de ventilation extérieur. Ne videz pas l'air dans les espaces limités par des murs ou des plafonds, les combles, les passages étroits ou les garages.
2. Faites très attention quand vous utilisez des produits de nettoyage ou des détergents.
3. Évitez d'utiliser des aliments pouvant s'enflammer sous la Range Hood.
4. N'utilisez cet appareil que pour une ventilation générale. Ne l'utilisez pas pour évacuer des matières ou des vapeurs dangereuses ou qui peuvent exploser.
5. Pour éviter de causer des dommages au moteur et de rendre les rotors bruyants et/ou non équilibrés, évitez que les sprays pour murs secs, la poussière de construction entrent en contact avec la partie électrique.
6. Le moteur de votre hotte a un thermostat qui éteindra automatiquement le moteur s'il est surchauffé. Le moteur se remettra en marche lorsqu'il se sera refroidi. Si le moteur continue à s'éteindre et à se remettre en marche, faites vérifier votre hotte.
7. Pour mieux capturer les impuretés de cuisine, le bas de votre hotte devrait être à une distance minimum de 24" et à une distance maximum de 30" au-dessus du plan de cuisson.
8. Vu que cette hotte est grande et lourde, il est recommandé de confier l'installation de cette hotte à 3 personnes.
9. Ce produit est doté d'un thermostat qui active automatiquement le moteur. Pour réduire le risque de dommages et éviter l'activation accidentelle, positionner l'interrupteur du panneau de service sur la position OFF et bloquer le panneau de service ou mettre un avertissement externe, par exemple une plaquette.
10. Utiliser uniquement avec un kit de connexion pour alimentation homologué.
11. Nous vous recommandons de lire l'étiquette indiquant les caractéristiques de votre hotte pour de plus amples informations et exigences.

PREPAREZ LA HOTTE

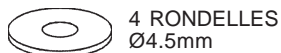
Enlever la hotte dans l'emballage et contrôler le contenu.

Vous devez recevoir :

- 1 - Hotte
- 1 - Conduit décoratif
- 1 - Structure de support
- 1 - Sachet (B080810610) avec:
 - 4 - Vis d'assemblage (6 x 70mm)
 - 8 - Rondelles Ø 6.4mm
 - 4 - Rondelles Ø 4.5mm
 - 10 - Vis d'assemblage (3.9 x 9.5mm Tête ronde)
 - 4 - Ecrrous
- 1 - Instructions pour l'installation
- 1 - Garantie



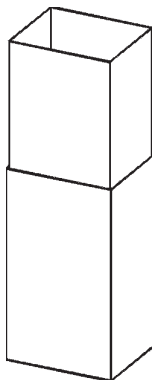
8 RONDELLES
Ø6.4mm



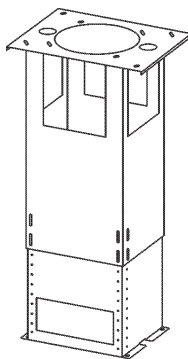
4 RONDELLES
Ø4.5mm



4 ECROUS



CONDUIT
DECORATIF

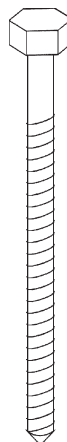


STRUCTURE DE
SUPPORT



10 VIS
D'ASSEMBLAGE
(3.9x9.5mm
Tête ronde)

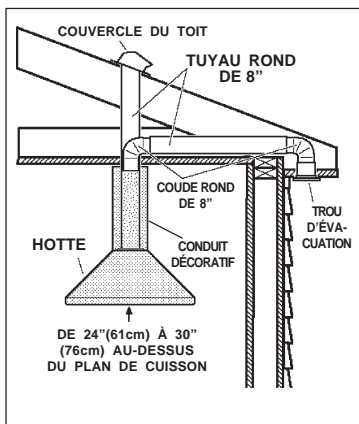
4 VIS D'ASSEMBLAGE
(6x70mm)



INSTALLATION DU SYSTEME D'EVACUATION

REMARQUE: Pour réduire les risques d'incendie, n'utilisez que des tuyaux en métal.

1. Décidez où le tuyau doit être installé, entre votre hotte et l'extérieur.
2. Un tuyau droit et court permettra à votre hotte de fonctionner d'une façon plus efficace.
3. Un tuyau long avec des coudes et des transitions réduira le bon fonctionnement de votre hotte. En utiliser le moins possible.
4. Installez un couvercle sur le toit ou au mur. Reliez un tuyau en acier rond de 8" au couvercle et faites-le aller jusqu'à l'emplacement de votre hotte. Rendez les jonctions du tuyau hermétiques au moyen d'un ruban pour tuyaux.

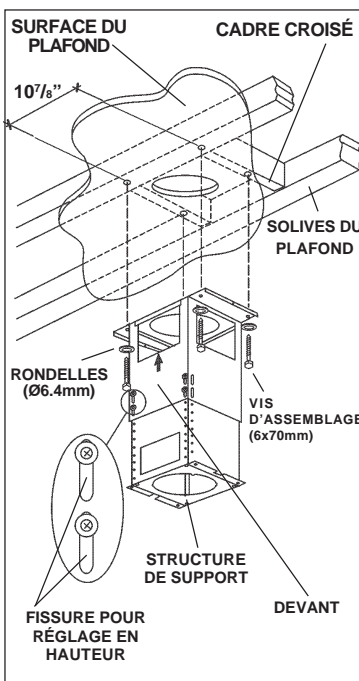


INSTALLATION DU SYSTEME DE SUPPORT

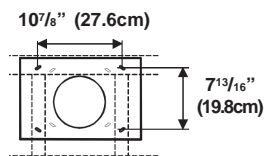
1. Installez, à l'emplacement de votre hotte, un **cadre croisé** de 2 x 4 entre les **solives du plafond** en suivant les dimensions qui vous sont indiquées.
2. Perfectionnez la surface du plafond. Assurez-vous de bien marquer l'emplacement des solives et du cadre croisé au plafond.
3. Placez la **structure de support** de sorte que l'**ouverture de la structure de support** soit sur le côté le plus long de votre hotte.
4. Fixez la structure de support aux solives et au cadre croisé au moyen des quatre vis (6x70mm) et quatre rondelles (D.6.4mm). Assurez-vous que les vis soient bien centrées dans les solives et dans le cadre croisé de sorte que le tout soit bien solide.
5. Réglez la hauteur totale de la structure de support. Desserrez et resserrez les 4 vis dans les **fissures permettant de régler la hauteur** selon ce qui est nécessaire.

Installez 4 vis (3.9x9.5mm) et 4 rondelles (D.4.5mm) qui se trouvent à l'intérieur du sachet accessoires. Considérez que #4 vis et #4 rondelles doivent être installées sur le devant, et #4 vis et #4 rondelles doivent être installées sur la face opposée (arrière).

Considérez que la hauteur de votre hotte est de 13³/₄" (35cm) et que le bas de votre hotte doit être à entre 24" et 30" au maximum au-dessus du plan de cuisson.

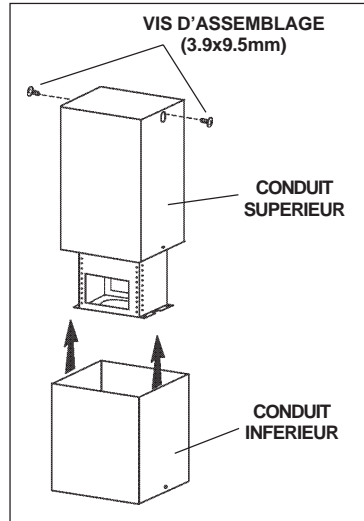
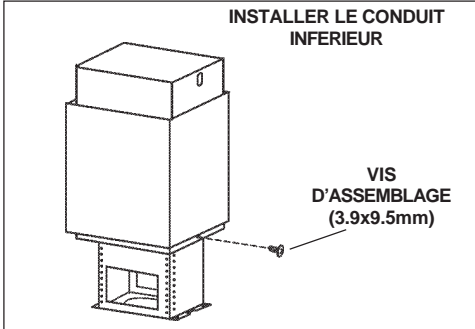


VUE DE HAUT DU CADRE CROISÉ



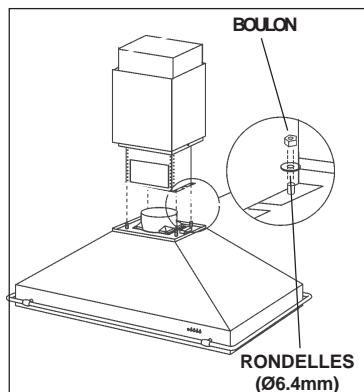
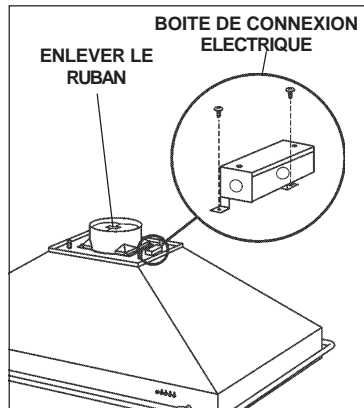
ASSEMBLAGE DU CONDUIT DECORATIF

1. Fixez le **conduit supérieur** à la structure de support du haut avec les vis d'assemblage (3.9x9.5mm).
2. Installer le **conduit inférieur** pour qu'il touche le plafond et le fixer provisoirement à l'aide des vis d'assemblage (3.9x9.5mm).



ASSEMBLAGE DE VOTRE HOTTE A LA STRUCTURE DE SUPPORT

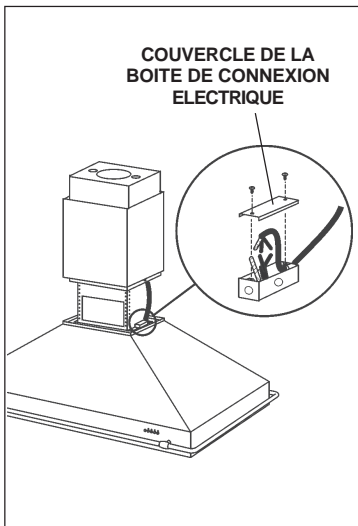
1. Enlever le ruban positionné sur le clapet.
2. Avant l'assemblage de votre hotte a la structure de support enlever la boîte de installation électrique.
3. Fixez votre hotte à la structure de support, comme cela est indiqué, au moyen des quatre (4) **écrous** et quatre (4) **rondelles** (D.6.4mm).
4. Remettez a boîte de installation électrique.



INSTALLATION ELECTRIQUE

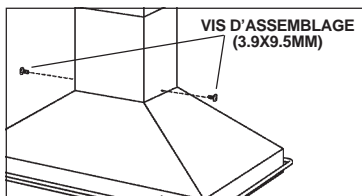
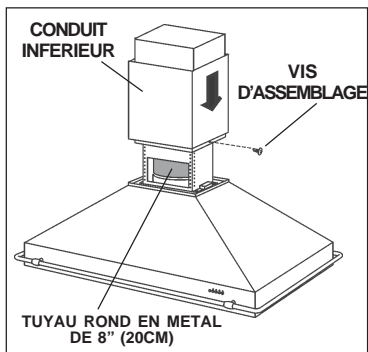
Remarque: Ce modèle de hotte doit être relié à la terre correctement. Cet article devrait être installé par un électricien qualifié selon les lois nationales et locales en matière d'électricité.

1. Enlevez le couvercle de la **boîte de connexion électrique**. Ouvrez un trou de la boîte de connexion électrique.
2. Faites passer un câble électrique de 6" dans le trou et fixez le câble à la boîte de connexion au moyen d'un connecteur approprié.
3. Faites le raccordement électrique. Reliez le blanc au blanc, le noir au noir et le vert au vert.
4. Remettez le couvercle de la boîte de connexion et les vis. Assurez-vous que les fils ne se sont pas coincés entre le couvercle et la boîte.



CONNEXION DU SYSTEME D'EVACUATION

1. Reliez le collier d'évacuation qui se trouve sur votre hotte au système d'évacuation qui se trouve au-dessus au moyen d'un **tuyau rond en métal de 8" (20cm)**.
2. Utilisez du ruban pour tuyauterie afin de rendre toutes les jonctions sûres et étanches.
3. Déposer les 2 vis d'assemblage provisoires du conduit inférieur et poser le conduit sur la hotte.
4. Fixez le conduit inférieur à votre hotte au moyen des 2 vis d'assemblage (3.9x9.5mm).

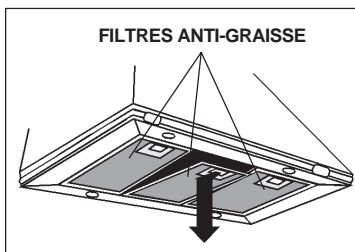


ENTRETIEN

Filtres anti-graisse

Les **filtres anti-graisse** doivent être nettoyés fréquemment. Utilisez une solution contenant un détergent tiède. Les filtres anti-graisse peuvent être lavés au lave-vaisselle.

Pour enlever les filtres anti-graisse: à l'aide de la poignée, pousser l'arrêt vers l'intérieur et tirer le filtre vers le bas.



Nettoyage de votre hotte

L'acier inoxydable est une des matières les plus faciles à nettoyer. Un entretien de temps en temps permettra de le conserver en parfait état. Conseils pour le nettoyage:

- Eau chaude et savon ou détergent est tout ce qui est normalement nécessaire.
- Après chaque nettoyage, rincez bien à l'eau claire. Essuyez avec un chiffon propre et doux afin d'éviter les taches d'eau.
- Si des décolorations ou des dépôts persistent, utilisez un nettoyant domestique non abrasif ou de la poudre pour l'acier inoxydable et un peu d'eau et un chiffon doux.
- Dans les cas difficiles, utilisez une éponge en plastique ou une brosse douce avec du nettoyant et de l'eau. Frottez légèrement en suivant la direction du polissage ou du "grain" de l'acier inoxydable. Évitez de frotter trop fort afin de ne pas abîmer la surface.
- **NE LAISSEZ PAS** les taches trop longtemps.
- **N'UTILISEZ PAS** de laines d'acier ordinaires ou des brosses en acier. Des débris d'acier pourraient adhérer à la surface et causer de la rouille.
- **NE PERMETTEZ PAS** que des solutions salées, des désinfectants, des blanchissants ou des produits nettoyants restent en contact avec l'acier pendant longtemps. Beaucoup de ces produits contiennent des produits chimiques qui pourraient causer des dommages. Rincez à l'eau immédiatement s'ils entrent en contact et essuyez avec un chiffon humide.

Les surfaces peintes doivent être nettoyées avec de l'eau tiède additionnée d'un détergent doux seulement.

FONCTIONNEMENT

Commandes

Votre hotte fonctionne grâce aux (5) boutons sur lesquels vous devez appuyer et qui se trouvent à la hauteur de vos yeux, sur le devant de votre hotte.

Le **bouton de la lumière** allume et éteint les lampes halogènes. En pressant 1 fois la touche, la lumière s'allume au 1^{er} niveau; en pressant 2 fois la touche, la lumière du 2^{ème} niveau s'allume (éclairage plus intense); en pressant encore une fois la touche, la lumière s'éteint.

Le **bouton ON/OFF vitesse 1** du ventilateur fait fonctionner le ventilateur à la vitesse la plus basse. Vous éteignez le ventilateur appuyant sur le bouton pendant 2 secondes environ.

Le **bouton deuxième vitesse** fait fonctionner le ventilateur à une vitesse moyennement basse. En appuyant une deuxième fois sur ce bouton vous faites fonctionner un timer qui fera fonctionner le ventilateur à cette vitesse pendant 10 minutes. Le voyant lumineux clignotera pendant tout ce temps et le ventilateur s'arrêtera automatiquement.

Les **boutons du ventilateur 3ème et 4ème vitesse** font fonctionner ce dernier comme le bouton deuxième vitesse avec la différence que le bouton 3ème vitesse est une vitesse moyennement élevée et le bouton 4ème vitesse est une vitesse élevée.

Au bout d'environ 30 heures de fonctionnement, le LED rouge du "Bouton -vitesse 1" se met à clignoter; cela indique que les filtres anti-graisse doivent être nettoyés. Après avoir remonté les filtres anti-graisse propres, appuyez sur le bouton de la lumière pendant 2 secondes environ, au même temps les voyants lumineux clignotent

HEAT SENTRY^{MC}

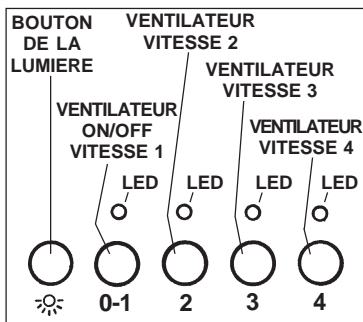
Votre hotte est munie d'un thermostat HEAT SENTRY^{MC}. Ce thermostat est un dispositif qui actionnera ou augmentera la vitesse du ventilateur s'il détecte une chaleur excessive au-dessus de la surface de cuisson.

- 1) Si le ventilateur n'est pas en marche - il actionnera le ventilateur en haute vitesse.
- 2) Si le ventilateur fonctionne en basse vitesse - le ventilateur tournera en haute vitesse.

Lorsque la température revient à la normale, le ventilateur retourne à sa vitesse d'origine.

AVERTISSEMENT

Le thermostat HEAT SENTRY^{MC} peut actionner la hotte même si la hotte est arrêtée. Si tel est le cas, il est impossible de l'arrêter avec l'interrupteur. Si vous devez arrêter le ventilateur, faites-le à partir du panneau électrique principal.



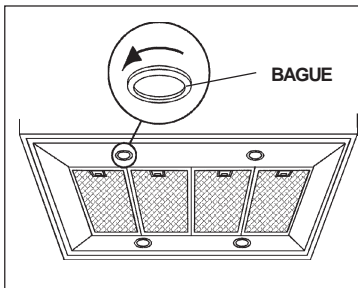
AMPOULES HALOGENES

Ce modèle de hotte vent quatre (4) ampoules halogènes (Type JC, 12Volt, 20Watt Max, G-4 Base).

AVANT DE PROCÉDER À QUELCONQUE OPÉRATION, DÉBRANCHEZ L'APPAREIL.

Pour changer les ampoules:

1. Dévissez la bague dans le sens contraire aux aiguilles d'une montre.
2. Enlevez l'ampoule en tirant sur le côté (NE LA FAITES PAS TOURNER). **ATTENTION: L'AMPOULE PEUT ETRE CHAUDE!**
3. Remplacer par une ampoule ayant les mêmes caractéristiques (Type JC, 12Volt, 20Watt Max, G-4 Base). Ne touchez pas l'ampoule neuve de vos mains nues!



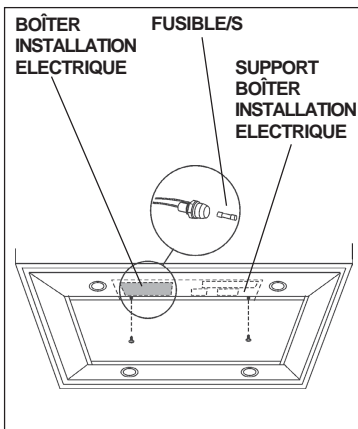
REEMPLACEMENT FUSIBLE

DÉBRANCHEZ L'APPAREIL.

Enlevez les filtres anti-graisse.

Démontez le support boîtier installation électrique et ouvrir le boîtier installation électrique.

Remplacez par un fusible du même type (5x20mm, 4A, 125V).



GARANTIE

GARANTIE BROAN LIMITÉE À UN AN

Broan garantit au consommateur-acheteur de ses produits que ces produits seront sans défauts concernant les matières employées et concernant la fabrication pendant une période d'un an à partir de la date d'achat. IL N'Y A AUCUNE AUTRE GARANTIE, EXPLICITE OU IMPLICITE, Y COMPRIS, MAIS NON PAS LIMITEE A, LES GARANTIES IMPLICITES OU CONCERNANT LA CAPACITE COMMERCIALE OU LA CONVENANCE POUR TOUT BUT PARTICULIER. Pendant cette période d'un an, Broan réparera ou remplacera, s'il le jugera nécessaire, gratuitement, tout article ou toute pièce qui résulteront défectueux à condition qu'ils aient été utilisés et entretenus correctement. CETTE GARANTIE NE S'ETEND PAS AUX TUBES ET AUX INTERRUPTEURS DES LAMPES FLUORESCENTES. Cette garantie ne couvre pas (a) l'entretien normal ni (b) tout article ou toute pièce qui aient subi une utilisation erronée, une négligence, un accident, un entretien erroné ou une réparation (autre que de la part de Broan), une installation défectueuse ou bien une installation ne respectant pas les instructions d'installation recommandées. La durée de toute garantie implicite est limitée à un an comme cela est spécifié dans la garantie explicite. Quelques états ne permettent pas de limites quant à la durée d'une garantie implicite, par conséquent la limitation indiquée ci-dessus peut ne pas vous concerner.

L'OBLIGATION DE REPARER OU DE REMPLACER DE LA PART DE BROAN SERA LE SEUL ET EXCLUSIF REMEDE DE L'ACHETEUR COUVERT PAR CETTE GARANTIE. BROAN NE SERA PAS RESPONSABLE DES DOMMAGES ACCIDENTELS, CONSEQUENTIELS OU SPECIAUX DUS A L'UTILISATION DU PRODUIT OU A SA PERFORMANCE OU EN ETANT LA CONSEQUENCE. Quelques états ne permettent pas l'exclusion ou la limitation des dommages accidentels ou consécutifs, par conséquent la limitation indiquée ci-dessus peut ne pas vous concerner. Cette garantie vous donne des droits légaux spécifiques, et vous pouvez aussi avoir d'autres droits, qui varient d'Etat à Etat. Cette garantie dépasse toute garantie précédente. Pour avoir droit à la garantie, vous devez (a) avertir la Maison Broan à l'adresse indiquée ci-dessous ou téléphoner : 1-800-637-1453, (b) donner le numéro du modèle et l'identification de la pièce défectueuse et (c) décrire la nature de tout défaut de l'article ou de la pièce. Au moment où vous demandez le service de garantie, vous devez présenter la preuve d'achat avec la date.

BEST BY BROAN, P.O. Box 140 Hartford, Wisconsin 53027

LEA Y CONSERVE ESTAS INSTRUCCIONES

 **INDICADO PARA EL USO EN COCINAS DOMESTICAS** 

  **ADVERTENCIA**

PARA EVITAR EL RIESGO DE INCENDIO, CORTOCIRCUITO O DAÑO PARA LAS PERSONAS, OBSERVE ATENTAMENTE LAS SIGUIENTES NORMAS:

1. Use esta unidad solamente de la manera indicada por el fabricante; si tiene dudas, póngase en contacto con éste a la dirección o teléfono indicados en la garantía.
2. Antes de hacer una revisión o de limpiar la unidad, desconéctela de la red para evitar que se encienda de manera accidental. En el caso de que éste no pueda ser desactivado, se indicará nel panel de servicio.
3. El montaje y la instalación eléctrica debe hacerlos un técnico especializado siguiendo las normas estándar e incluyendo aquellas de construcción anti incendio.
4. Necesita aire suficiente para una apropiada combustión y escape de gases a través del tubo del depósito de quema de combustible. Para evitar que el humo aspirado vuelva a la cocina, siga las directivas del fabricante y las normas estándar de seguridad así como las normas publicadas por la Asociación de prevención de incendios (NFPA) y la Sociedad americana de especialistas en cale-facción, refrigeración y aire acondicionado y además las normas de las autoridades locales.
5. Hacer un corte o un taladro en la pared o en el techo no debe dañar la instalación eléctrica u otras instalaciones ocultas en la pared.
6. Los conductos ventiladores deben siempre desalojar al exterior.
7. No use esta unidad con dispositivo de control de la velocidad a estado sólido.
8. Para evitar el riesgo de incendio, use solamente conductos de metal.
9. Esta unidad tiene que ser conectada a tierra.

PARA EVITAR EL RIESGO DE FUEGO POR ALTO NIVEL DE GRASA:

- A. Nunca abandone los quemadores con el fuego alto. La cocción causa humo y restos de grasa que pueden arder. Caliente el aceite a fuego medio o bajo.
- B. Encienda siempre la campana cuando cocine a fuego alto o cuando cocine alimentos fácilmente inflamables. (por ejemplo Crepes Suzette, Cerezas Jubilee, Ternera flambeada con granos de pimienta).
- C. Limpie con frecuencia los ventiladores. No se debe acumular grasa en el ventilador o en el filtro.
- D. Usa el tamaño de cazuela apropiado. Use siempre utensilios de cocina de tamaño y material adecuados.

  **ADVERTENCIA**

PARA EVITAR EL RIESGO DE DAÑOS A PERSONAS EN CASO DE FUEGO POR ALTO NIVEL DE GRASA, TENGA EN CUENTA LO SIGUIENTE:*

1. SOFOQUE LA LLAMA con una tapadera apropiada, una bandeja metálica ó un utensilio de cocina que pueda cubrirla, despues, apague el quemador. ACTÚE CON PRECAUCIÓN PARA EVITAR QUEMADURAS. Si la llama no se extingue inmediatamente, SALGA Y LLAME A LOS BOMBEROS.
2. NUNCA COJA UNA SARTEN EN LLAMAS, porque corre el riesgo de quemarse.
3. NO USE AGUA ni paños o toallas húmidas porque puede provocarse una violenta humareda.
4. Use un extintor SOLAMENTE si:
 - A. Posee un extintor de clase ABC y sabe perfectamente cómo usarlo.
 - B. El fuego es pequeño y está controlado en el mismo sitio en que empezó.
 - C. Ha llamado con anterioridad a los bomberos.
 - D. Puede combatir el fuego retrocediendo hacia la salida.

* Basado en "Seguridad antifuego en la cocina" publicado por NFPA.

ADVERTENCIA

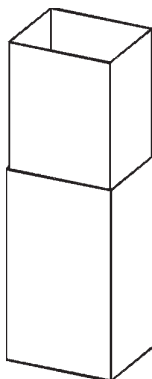
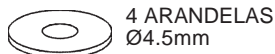
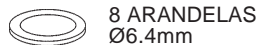
1. Para reducir el riesgo de incendios y para evacuar correctamente los humos, asegurarse de haber realizado una conducción del aire hasta el exterior. No expulsar los humos en espacios cerrados por paredes o techos, áticos, espacios angostos o garajes.
2. Prestar la máxima atención al utilizar productos de limpieza o detergentes.
3. Evitar el uso de productos alimentarios que puedan inflamarse bajo la campana.
4. Sólo para ventilación total. No use gases de escape peligrosos o materiales y vapores explosivos.
5. Para evitar daños en el funcionamiento del motor e impulsores ruidosos y/o desequilibrados, mantenga alejados de la unidad de encendido pulverizadores en seco o polvo.
6. El motor tiene un nivel de sobrecarga térmica que apaga automáticamente el motor cuando se ha recalentado excesivamente. El motor se pone de nuevo en funcionamiento cuando la temperatura baja. Si el motor comienza a encenderse y a apagarse, deberá hacer una revisión de éste.
7. Para limpiar mejor las impurezas al cocinar, la distancia entre la parte inferior de la campana y la zona de cocción debe ser mínimo 24" - máximo 30".
8. Debido a su gran tamaño y peso, se recomienda su montaje por parte de 3 técnicos especializados.
9. Este producto está dotado de un termostato que pone en marcha automáticamente el motor. Para reducir el riesgo de daños y evitar que se encienda accidentalmente, colocar el interruptor del panel de servicio en la posición OFF y bloquear el panel de servicio o colocar una advertencia externa como por ejemplo un letrero o una chapita.
10. Use solamente con juego de conexión para alimentación aprobado.
11. Se recomienda leer la placa de características del producto para ulterior información.

PREPARE LA CAMPANA

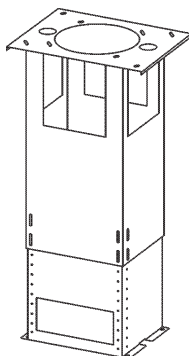
Sacar la campana de l'embalaje y controlar el contenido.

Recivireis:

- 1 - Campana
- 1 - Tubo decorativo
- 1 - Armazón de soporte
- 1 - Bolsita (B080810610) con:
 - 4 - Tornillos de montaje (6 x 70mm cabeza redonda)
 - 8 - Arandelas Ø 6.4mm
 - 4 - Arandelas Ø 4.5mm
 - 10 - Tornillos de montaje (3.9 x 9.5mm cabeza redonda)
 - 4 - Tuercas
- 1 - Instrucciones para instalación
- 1 - Garantía



TUBO
DECORATIVO

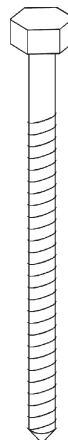


ARMAZÓN DE
SOPORTE



10 TORNILLOS
DE MONTAJE
(3.9x9.5mm
cabeza redonda)

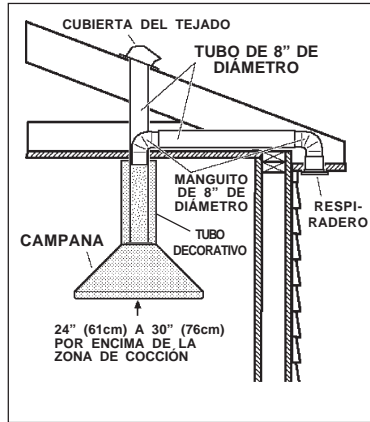
4 TORNILLOS DE
MONTAJE (6x70mm)



INSTALACION DEL TUBO DE EXTRACCION

NOTA: para evitar el riesgo de incendio, use solamente material de metal.

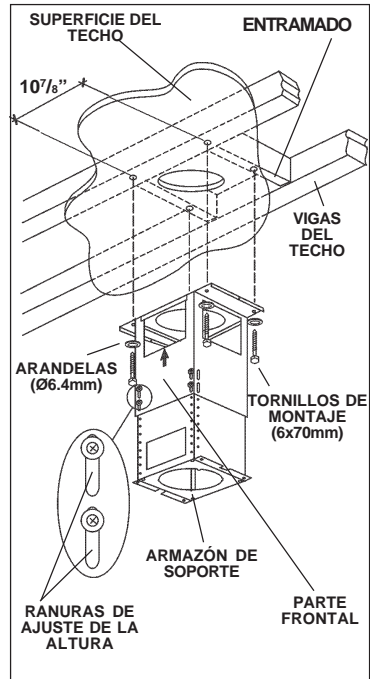
1. Decida donde va a colocar el tubo de extracción entre la campana y la parte exterior.
2. Un recorrido de tubo corto y recto permitirá a la campana funcionar de manera más eficaz.
3. Los recorridos largos de tubo, codos y manguitos impiden el buen funcionamiento de la campana. Use el menor número de ellos posible.
4. Instale una cubierta ó una tapa. Una el tubo de acero de 8" de diámetro a la cubierta y retroceda hasta la posición de la campana. Use una cinta para precintar las juntas entre las partes del entubado.



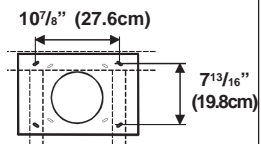
INSTALACION DEL SISTEMA DE SUJECION

1. En el sitio donde vaya a ir la campana, instale un **entramado** entre las **vigas del techo** utilizando las medidas dadas.
2. Termine la superficie del techo. Asegúrese de marcar la colocación de las vigas del techo y del entramado.
3. Coloque el **armazón de soporte** de tal manera que la abertura de éste se encuentre en la parte más larga de la campana.
4. Sujete la mitad superior del armazón de soporte a las vigas y al entramado con los cuatro tornillos (6x70mm) y cuatro arandelas (D.6.4mm). Compruebe que los tornillos vayan al centro de las vigas del techo para una mayor rigidez.
5. Ajuste la altura total del armazón de soporte. Afloje y apriete de nuevo los 4 tornillos en las **ranuras de ajuste de la altura** si es necesario.

Introduzca cuatro tornillos y cuatro arandelas colocados en la bolsita para el montaje. Tenga en cuenta que #4 tornillos y #4 arandelas deben ser colocados su la parte frontal, y #4 tornillos y #4 arandelas deben ser colocados su la parte posterior.



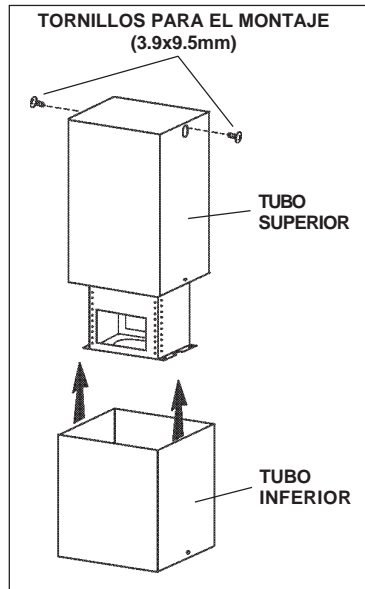
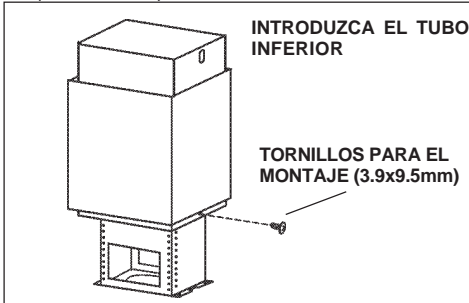
VISTA SUPERIOR DEL ARMAZÓN DE SOPORTE



Tenga en cuenta que la campana tiene 13³/₄" (35cm) de alta y que su parte inferior debe estar a una altura mínima de 24" y máxima de 30" con respecto a la zona de cocción.

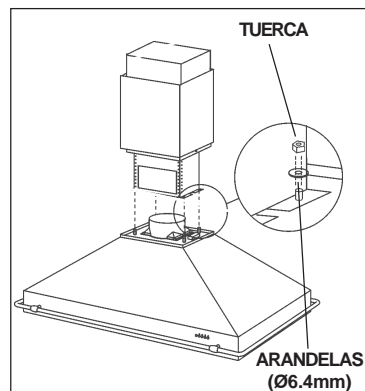
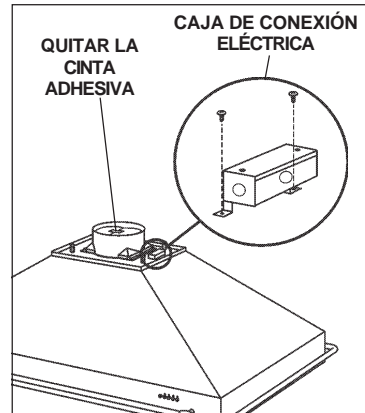
INSTALACION DEL TUBO DECORATIVO

1. Sujete el **tubo superior** a la parte superior de la estructura de soporte de madera en la pared con los tornillos para el montaje (3.9x9.5mm).
2. Introduzca el **tubo inferior** hasta hacerlo tocar el techo, y fíjelo momentáneamente con los tornillos para el montaje (3.9x9.5mm).



BASE DE LA CAMPANA PARA SUJETAR LA ESTRUCTURA DE MADERA

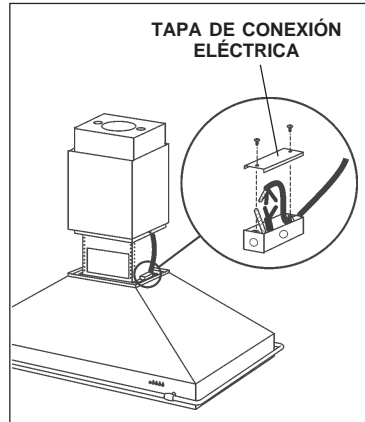
1. Quitar la cinta adhesiva en la válvula.
2. Antes de instalar la campana a la estructura quitar la caja de conexión eléctrica.
3. Use cuatro (4) **tuercas** y cuatro (4) **arandelas** (D.6.4mm) para fijar la campana a la estructura de madera en la pared como se indica.
4. Reponer la caja de conexión eléctrica.



INSTALACION ELECTRICA

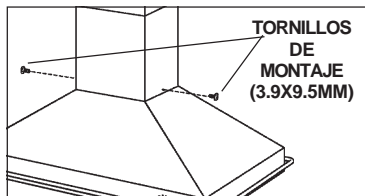
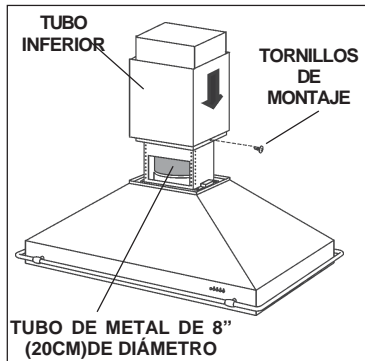
Nota: Este tipo de campana tiene que ser conectada a tierra cuidadosamente. La unidad debe instalarla un técnico electricista siguiendo las normas nacionales y locales.

1. Quite la **tapa de la caja de conexión eléctrica** y saque un cable.
2. Suministre 6" de cable eléctrico al extremo y sujete el cable a la caja de conexión eléctrica con un conector adecuado.
3. Haga las conexiones eléctricas, una blanco con blanco, negro con negro y verde con verde.
4. Vuelva a conectar la tapa de la caja de conexión. Compruebe que los cables no queden pillados.



INSTALACION DEL TUBO DE EXTRACCION

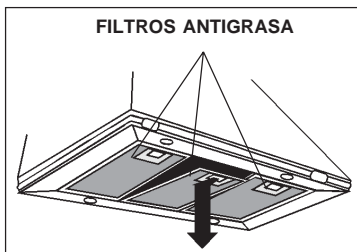
1. Use un **tubo de metal de 8" (20cm) de diámetro** para unir el casquillo situado en la parte superior de la campana con el tubo de extracción.
2. Use la cinta para unir todas las juntas, de esta manera el tubo quedará hermético.
3. Remueva los 2 tornillos para el montaje provisorio del tubo inferior y apoye el tubo sobre la campana.
4. Sujete el tubo inferior a la campana con los 2 tornillos para el montaje (3.9x9.5mm).



MANTENIMIENTO

Filtros antigrasa

Los **filtros antigrasa** deben limpiarse a menudo. Use un detergente que no sea fuerte. Los filtros antigrasa se pueden meter en el lavavajillas. Para extraer los filtros antigrasa, empuje de las manillas hacia dentro y tire de los filtros hacia abajo.



Limpieza de la campana

El acero inoxidable es uno de los materiales más fáciles de limpiar, pero sería aconsejable un especial cuidado en su uso para mantenerla en buen estado.

La campana se puede limpiar de las siguientes maneras:

- Agua caliente con jabón o detergente es la mejor manera para limpiarla.
- Aclárela con agua corriente, séquela con un paño suave y limpio para evitar las huellas que deja el agua.
- Para las manchas o restos de grasa que persistan, use un producto químico doméstico que no raye ó un limpiador para acero inoxidable con poca agua y un paño suave.
- Si las manchas persisten, use un estropajo y un cepillo de cerdas suaves con un producto limpiador y agua. Frote suavemente en el sentido del pulido o de las “vetas” del remate del inoxidable. No apriete demasiado porque podría dañar la superficie.
- No deje que las manchas se acumulen durante mucho tiempo.
- No use utensilios o cepillos de acero. Pequeñas partículas de acero pueden adherirse y oxidarse.
- No use soluciones salinas, desinfectantes, lejías, o productos de limpieza que permanezcan en contacto con el acero inoxidable durante largos periodos de tiempo. Muchos de estos productos contienen componentes químicos que podrían resultar nocivos. Aclare con agua y seque con un paño limpio.

Las superficies lacadas deben limpiarse solamente con agua tibia y detergente no muy fuerte.

FUNCIONAMIENTO

Mandos

La campana se pone en funcionamiento usando los mandos situados a la altura de los ojos a un lado de la parte frontal de la campana.

El **interrupor luz** enciende y apaga las lámparas halógenas. Pulsando la tecla una vez, la luz se enciende a intensidad 1, pulsándolo una segunda vez, la luz se enciende a intensidad 2 (luz más intensa) y, pulsándolo otra vez más, la luz se apaga completamente.

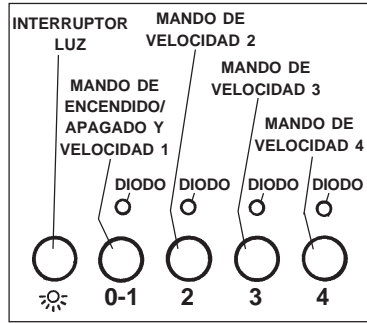
El **mando de encendido- apagado y velocidad 1** del aspirador pone en funcionamiento el aspirador a una velocidad mínima. Manteniendo presionado el mando durante dos segundos aproximadamente, se apaga el aspirador.

El **mando de velocidad 2** pone el aspirador a una velocidad media- baja. Si acciona este mando otra vez se pone en funcionamiento un timer que mantiene el aspirador funcionando a dicha velocidad durante diez minutos. El diodo se mantiene encendido durante ese tiempo y el aspirador se apaga automáticamente.

El **mando de velocidad 3 y el de velocidad 4** funcionan como el de velocidad 2 pero el de velocidad 3 funciona a una velocidad medio- alta y el de velocidad 4 lo hace a una velocidad alta.

Después de unas 30 horas de funcionamiento, el diodo rojo del mando “velocidad 1” parpadea, indicando que hay que limpiar los filtros antigrasa.

Una vez vueltos a colocar los filtros limpios, mantener presionado el interruptor luz durante dos segundos aproximadamente, mientras que la pantalla o diodos (espías) parpadean



HEAT SENTRY^{MR}

Su campana esta equipada con termostato HEAT SENTRY^{MR}. Este termostato tiene un mecanismo que se encenderáo aceleraráel ventilador si se detecta un calor excesivo encima de la cocina.

- 1) Si el ventilador esta apagando - el se prenderá a una velocidad máxima.
- 2) Si el ventilador esta encendido a una velocidad minima - el se prenderá a una velocidad máxima.

Cuando la temperatura disminuye a un nivel normal, el ventilador vuelve a la función de origen.

AVERTENCIA

EI HEAT SENTRY^{mr} termostato puede comenzar a funcionar a igual si la campana esta parada. En este caso, es imposible parar el ventilador con los interruptores. Si usted para la campana, halago a partir del panel eléctrico principal.

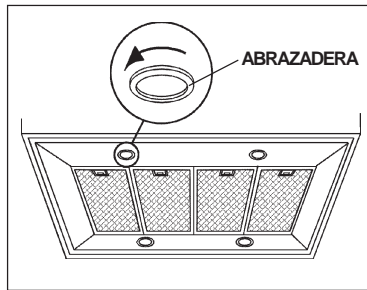
LAMPARAS HALOGENAS

Este tipo de campana necesita cuatro (4) lámparas halógenas (Tipo JC, 12Volt, 20Watt Max, G-4 Base).

ANTES DE PROCEDER A CUALQUIER OPERACIÓN, ES NECESARIO DESCONECTAR EL APARATO.

Para cambiar las lámparas:

1. Destornillar la abrazadera en sentido antihorario.
2. Extraiga la lámpara oblicuamente (NO LA GIRE) - **ATENCIÓN: LAS LÁMPARAS PUEDEN ESTAR CALIENTES.**
3. Sustituir con lámparas del mismo tipo (JC, 12Volt, 20Watt Max, G-4 Base). No toque la lámpara de repuesto con las manos desnudas.



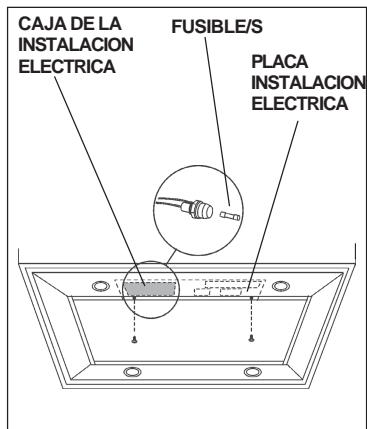
SUSTITUCION FUSIBLE

DESCONECTAR EL APARATO.

Remover los filtros antigrasa.

Desmontar la placa de la instalación eléctrica y abrir la caja de la instalación eléctrica.

Sustituir por un fusible del mismo tipo (5x20mm, 4A, 125V).



GARANTIA

GARANTIA BROAN POR UN AÑO

Broan garantiza al consumidor-comprador de sus productos que dichos productos no tendrán defectos en los materiales o fabricación, durante un periodo de un año a partir de la fecha de la compra. NO HAY OTRO TIPO DE GARANTIAS QUE INCLUYAN O SE LIMITEN EXCLUSIVAMENTE A GARANTIAS IMPLICITAS O DE CAPACIDAD COMERCIAL O CONVENIENCIA PARA UN PROPOSITO ESPECIFICO.

Durante el periodo de un año, Broan, si lo estima conveniente, reparará o reemplazará sin gastos para el usuario cualquier producto o parte de éste que sea defectuosos habiéndose usado correctamente. Esta garantía no cubre las lámparas halógenas ni los tubos. Tampoco cubre el mantenimiento ni los productos o partes de éstos que hayan sido usados de forma incorrecta, con negligencia, rotos accidentalmente o por una incorrecta manutención ó reparación (distinta da la realizada por Broan), montaje incorrecto ó instalación que no se ajuste a las instrucciones de montaje indicadas. Le duración de la garantía se limita al periodo de un año como está especificado en la garantía explicita. Algunos países no permiten un limite en la duración de la garantía implicita; si es así en su caso, esta limitación arriba indicada podría no aplicarse.

LA PRESENTE GARANTIA CUBRIRA EXCLUSIVAMENTE AL COMPRADOR LOS SERVICIOS DESCRITOS ANTERIORMENTE. BROAN NO SE HACE RESPONSABLE DE DANOS PRODUCIDOS DE MANERA ACCIDENTAL O RELACIONADOS CON EL USO INCORRECTO DEL PRODUCTO O SU FUNCIONAMIENTO.

Algunos países no permiten la exclusión o limitación de los daños producidos de manera accidental, si es así en su caso, esta limitación arriba indicada podría no aplicarse. Esta garantía le da derechos legales específicos y podría también disponer de otros derechos que varían de país a país. Esta garantía supera otras garantías dadas con anterioridad. Para disfrutar de la garantía usted deberá a) Avisar a la dirección abajo indicada ó bien llamar por teléfono al número 1-800-637-1453 b) Dar el número de serie del modelo correspondiente o bien una descripción de la parte averiada, c) Descripción del defecto en el producto o bien en una de sus partes. Para requerir un servicio en garantía debe presentar el justificante con la fecha de la compra.

BEST BY BROAN, P.O. Box 140 Hartford, Wisconsin 53027

SERVICE PARTS

MODEL ISER222 - Parts for stainless steel models shown. For service parts for black, white, polished brass, or brushed copper models, call Broan Customer Service.

KEY NO.	PART NO.	DESCRIPTION
9	B08087132	Grease Filter (n. 4)
14	B02300233	Motor Capacitor
16	BE3345732	Electrical Box Support
19	B03295005	Capacitor Protection
26	B02300891	Halogen Lamp Bulb
37	B02300787	Heat Sentry
38	B03292357	Control Board Box
38	BW0000027	Control Boards + Trimming
39	B03294033	Control Board Box Cover
42	B03295001	Flange
48	B02310201	Motor
49	B03295071	Blower Wheel
53	B03202007	Rubber Washer
56	B03292465	Duct Connector
57	B02011004	Damper Flap
62	BE3401922	Blower Mounting Cover
63	BE3343076	Upper Support
68	B02011064	Right Blower Housing
69	B02011063	Left Blower Housing
113	B02011284	Nameplate
115	BE3495228	Wiring Box
116	BE3334252	Wiring Box Cover
118	BE3407823	Decorative Flue Bottom
119	BE3403578	Decorative Flue Top
124	B03120185	Telescopic Structure Bottom
125	B03120186	Telescopic Structure Top
133	B02009290	Utensil Rail
141	B02009301	Side Utensil Rail
144	B03292287	Wire Clamp
147	BR2300135	Terminal Block
156	B02009186	Coupling Sleeve
165	B03295008	Wiring Box
166	B08086662	Circuit Board
208	B02300792	Transformer
223	B03202296	Switch Button
274	B03295035	Fuse Box
474	B02300790	Halogen Lamp Housing
477	B03295006	Closing
*	B06002008	Blower Assembly
		(Includes Key Nos. 42, 48, 49, 53, 68, 69)
*	B06107579	Switch Box Assembly
		(Includes Key Nos. 107, 223, 38, 230,234, 67)
998	B080810610	Hardware Package
-	B02300782	Fuse
-	B02300674	Fuse Holder

* Not shown assembled.

LISTE PIECES DE RECHANGE

MODELE ISER222 - Ci-dessous liste pièces de rechange pour hottes en inox. Pour les pièces de rechange des modèles de couleurs noir, blanc, laiton jaune poli, cuivre brossé, contacter Broan Customer Service.

KEY NO.	PART NO.	DESCRIPTION
9	B08087132	Filter anti-graisse (n.4)
14	B02300233	Condensateur
16	BE3345732	Support boîte installation électrique
19	B03295005	Protection condensateur
26	B02300891	Lampe halogène
37	B02300787	Capteur de température
38	B03292357	Boîte circuit imprimé électrique
38	BW0000027	Circuit imprimé commandes + Enjoliveur
39	B03294033	Couvercle boîte circuit imprimé électrique
42	B03295001	Bride de raccordement
48	B02310201	Moteur
49	B03295071	Turbine du moteur
53	B03202007	Pare chocs
56	B03292465	Bride de raccordement
57	B02011004	Clapet anti-retour
62	BE3401922	Support moteur
63	BE3343076	Support supérieure
68	B02011064	Cocue moteur droite
69	B02011063	Cocue moteur gauche
113	B02011284	Plaquette logo
115	BE3495228	Boîte de alimentation
116	BE3334252	Couvercle boîte de alimentation
118	BE3407823	Tube inférieur
119	BE3403578	Tube supérieur
124	B03120185	Structure télescopique inférieure
125	B03120186	Structure télescopique supérieure
133	B02009290	Porte-outils de cuisine
141	B02009301	Porte-outils de cuisine lateral
144	B03292287	Serre cable
147	BR2300135	Borne
156	B02009186	Manchon
165	B03295008	Boîte installation électrique
166	B08086662	Circuit imprimé installation électrique
208	B02300792	Trasformateur
223	B03202296	Bouton
274	B03295035	Boîte Fusible
474	B02300790	Boîte lampe halogène
477	B03295006	Couvercle de la protection transformateur
*	B06002008	Ensemble moteur (Comprenant n. 42, 48, 49, 53, 68, 69)
*	B06107579	Ensemble commandes (Comprenant n. 107, 223, 38, 230, 234, 67)
998	B080810610	Accessoires de fixation
-	B02300782	Fusible
-	B02300674	Porte-fusible

* Illustrées separement.

LISTA DE PIEZAS DE RECAMBIO

MODEL ISER222 - Aquí aparecen solamente las piezas de recambio para campanas de acero inoxidable, si desean las piezas de recambio de los modelos en blanco, negro, latón lustrado ó cobre acepillado, pónganse en contacto con el servicio al cliente de Broan.

KEY NO.	PART NO.	DESCRIPTION
9	B08087132	Filtro antigrasa (n.4)
14	B02300233	Condensador
16	BE3345732	Soporte de instalación eléctrica
19	B03295005	Protección Condensador
26	B02300891	Lámpara halógena
37	B02300787	Capteur de température
38	B03292357	Caja base de instalación eléctrica
38	BW0000027	Base mandos + Tarjeta
39	B03294033	Tapa de la caja base de instalación eléctrica
42	B03295001	Casquillo
48	B02310201	Motor
49	B03295071	Manilla del motor
53	B03202007	Almohadilla antivibraciones
56	B03292465	Conector del tubo
57	B02011004	Válvula de no retorno
62	BE3401922	Soporte motor
63	BE3343076	Soporte superior
68	B02011064	Lado derecho del motor
69	B02011063	Lado izquierdo del motor
113	B02011284	Placa marca
115	BE3495228	Caja de alimentación eléctrica
116	BE3334252	Tapa de la caja de alimentación eléctrica
118	BE3407823	Tubo decorativo inferior
119	BE3403578	Tubo decorativo superior
124	B03120185	Estructura telescópica inferior
125	B03120186	Estructura telescópica superior
133	B02009290	Porta utensilios de cocina
141	B02009301	Porta utensilios de cocina lateral
144	B03292287	Sujeta cabos
147	BR2300135	Terminal
156	B02009186	Manguito
165	B03295008	Caja base de conexión eléctrica
166	B08086662	Base para instalación eléctrica
208	B02300792	Trasformador
223	B03202296	Mando
274	B03295035	Caja fusible
474	B02300790	Caja de la lámpara halógena
477	B03295006	Cierre
*	B06002008	Conjunto motor (Incluye los N. 42, 48, 49, 53, 68, 69)
*	B06107579	Conjunto caja mandos (Incluye los N. 107, 223, 38, 230, 234, 67)
998	B080810610	Accesorios para el montaje
-	B02300782	Fusible
-	B02300674	Portafusible

* Se encuentran por separado.

SERVICE PARTS - LISTE PIECES DE RECHANGE - LISTA DE PIEZAS DE RECAMBIO

MODEL ISER222

