



ASSEMBLY INSTRUCTIONS

Chest of Drawer

MOD-7228 / V0.04.07.25

modway



Questions? Contact us!

609.256.9000

cs@modway.com

Welcome.

Let's get started.

Before you begin, here are some things to keep in mind:

Assembly will take most people **about 60 minutes**. Consider having a friend help you!

Only use hand tools to assemble this item
Do not use power tools. Do not tighten bolts or screws completely until all hardware is lined up and inserted into the holes.

Read through all of the instructions before starting. Make sure you have all parts and components before discarding any packing materials.

Do not over-tighten screws and bolts to avoid stripping the hardware or cracking the item.

For vanity and plumbing installation, we suggest hiring a professional contractor and plumber.

Assemble your item on a flat, carpeted area, with plenty of space to work. This will prevent damage and scratches to your floors or the item while you're assembling the product.

Keep all components and packaging out of reach of children or animals to avoid risk of choking or suffocation.




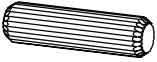
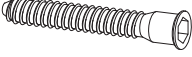



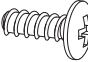
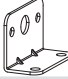



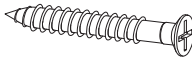





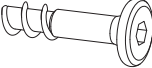


Care instructions are listed in the last step of this manual.

WAIT!

Missing parts or hardware? Need assistance?
Contact us before returning your item.
We're here to help!



HARDWARE INCLUDED IN THE BOX:

A		Cam Bolt Ø6 x 35 mm	x54
B		Cam Lock Ø15 mm	x30
C		Cam Lock Ø12 mm	x24
D		Wood Dowel Ø8 x 30 mm	x44
E		Screw M 7 x 50 mm	x8
F		Allen Key	x2
G		Handle	x6
H		Screw M 4 x 20 mm	x12
I		Screw M 4.5 x 12.5 mm	x12
J		Bracket	x2
K		List	x2
L		Screw Cap Ø15 mm	x10
M		Wood Dowel Ø6 x 30 mm	x12
N		Screw M 4 x 39 mm	x24
O		Screw M 6 x 10.5 mm	x36
P		Screw M 3.5 x 13 mm	x36
Q		Screw M 3.5 x 15.5 mm	x24
R		Wedge	x24
S		Wood Dowel Ø8 x 20 mm	x8
T		Screw M 6.4 x 25 mm	x4
PM2		Mounting Plate	x1
RM35A		Drawer Runner	x6

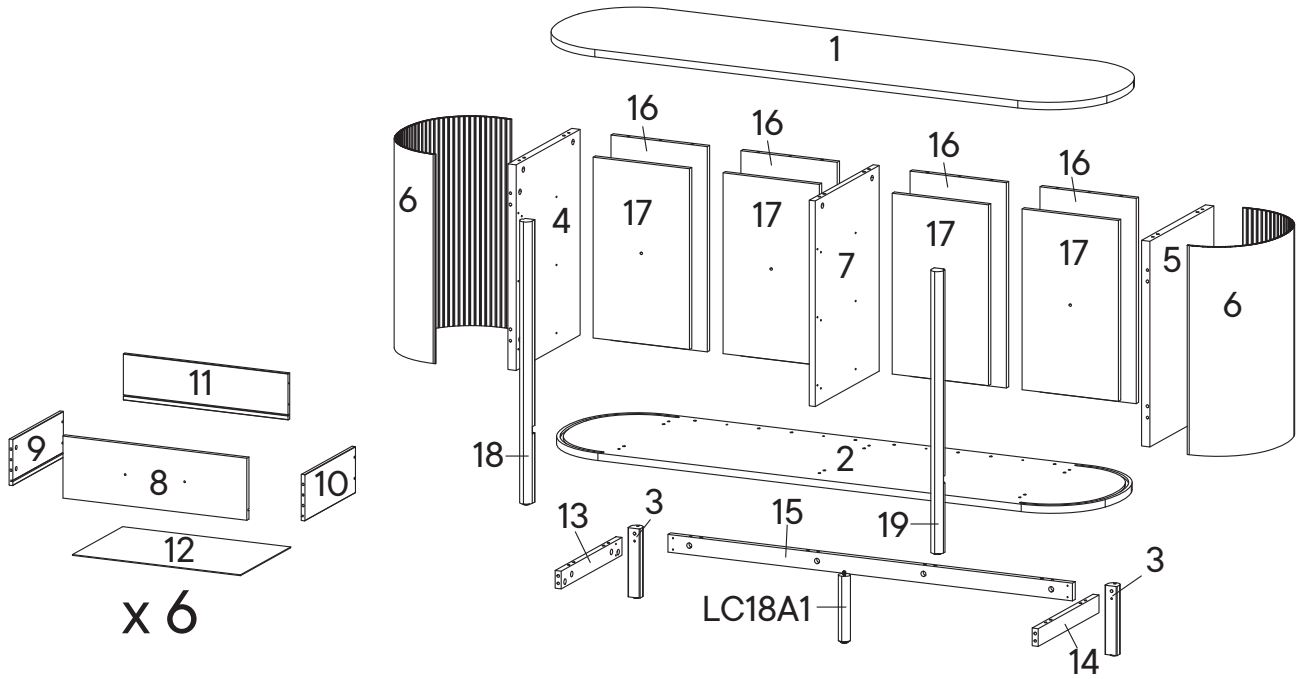
WHAT YOU NEED:



Phillips Head Screwdriver

FURNITURE COMPONENTS INCLUDED IN THE BOX:

All parts are numbered with a sticker according to this list.



1	Top Board	x1	11	Back Drawer	x6
2	Bottom Board	x1	12	Bottom Drawer	x6
3	Back Leg	x2	13	Bottom Skirt Left	x1
4	Side Board Left	x1	14	Bottom Skirt Right	x1
5	Side Board Right	x1	15	Bottom Skirt Center	x1
6	Bar Side	x2	16	Back Board 1	x4
7	Center Board	x1	17	Back Board 2	x4
8	Front Drawer	x6	18	Front Leg Left	x1
9	Side Drawer Left	x6	19	Front Leg Right	x1
10	Side Drawer Right	x6	LC18A1	Center Leg	x1

COMPONENTS CARTON PLACEMENT

Carton 1 Of 2

Label	Description	Qty
3	Back Leg	x2
4	Side Board Left	x1
5	Side Board Right	x1
6	Bar Side	x2
7	Center Board	x1
8	Front Drawer	x6
12	Bottom Drawer	x6
16	Back Board 1	x4
17	Back Board 2	x4
18	Front Leg Left	x1
19	Front Leg Right	x1
LC18A1	Center Leg	x1
	Hardware Pack	x1

Carton 2 Of 2

Label	Description	Qty
1	Top Board	x1
2	Bottom Board	x1
9	Side Drawer Left	x6
10	Side Drawer Right	x6
11	Back Drawer	x6
13	Bottom Skirt Left	x1
14	Bottom Skirt Right	x1
15	Bottom Skirt Center	x1

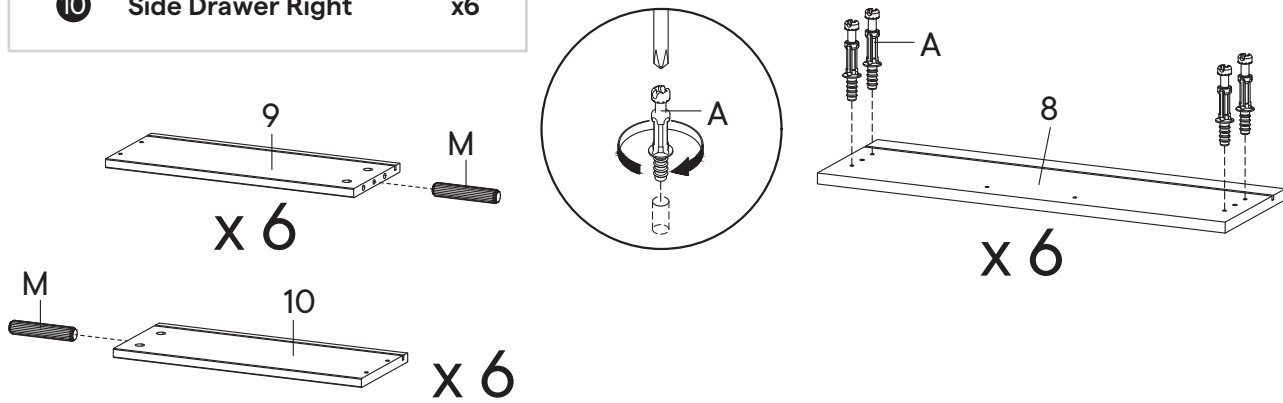
HARDWARE

- (A)** Cam Bolt Ø6 x 35 mm x24
- (M)** Wood Dowel Ø6 x 30 mm x12

COMPONENTS

- (8)** Front Drawer x6
- (9)** Side Drawer Left x6
- (10)** Side Drawer Right x6

- 1.1** Insert Cam Bolt Ø6 x 35 mm (A) into the Front Drawer (8).
- 1.2** Insert Wood Dowel Ø6 x 30 mm (M) into the Side Drawer Left (9).
- 1.3** Insert Wood Dowel Ø6 x 30 mm (M) into the Side Drawer Right (10).



STEP 02

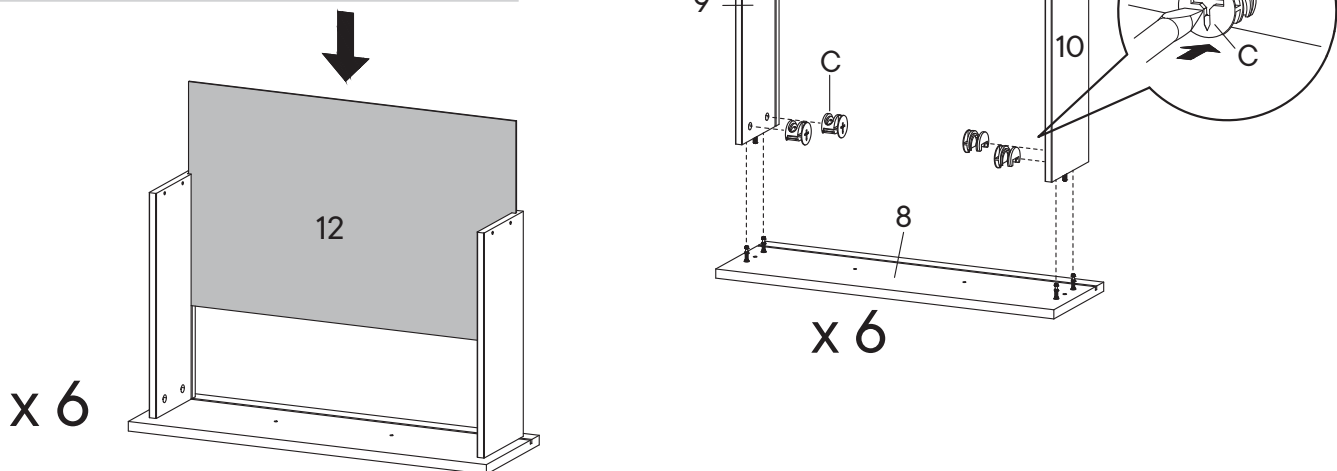
HARDWARE

- (C)** Cam Lock Ø12 mm x24

COMPONENTS

- (8)** Front Drawer x6
- (9)** Side Drawer Left x6
- (10)** Side Drawer Right x6
- (12)** Bottom Drawer x6

- 2.1** Combine Side Drawers (9&10) into Front Drawer (8) then tighten Cam Lock Ø12 mm (C) using screwdriver.
- 2.2** Insert Bottom Drawer (12), into Front Drawer with laminated face facing upward.



HARDWARE

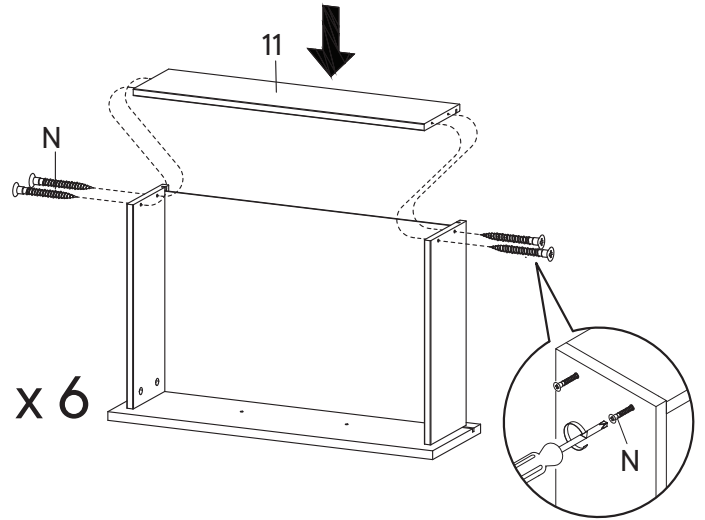
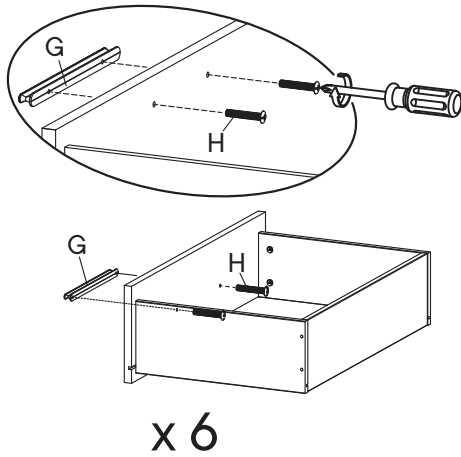
- G** Handle x6
- H** Screw M 4 x 20 mm x12
- N** Screw M 4 x 39 mm x24

COMPONENTS

- 11** Back Drawer x6

3.1 Insert Back Drawer (11) secure with Screw M 4 x 39 mm tighten using screwdriver, as shown in the picture.

3.2 Insert Handle (G) into Front Drawer (8), then tighten using screwdriver with Screw M 4 x 20 mm (H).



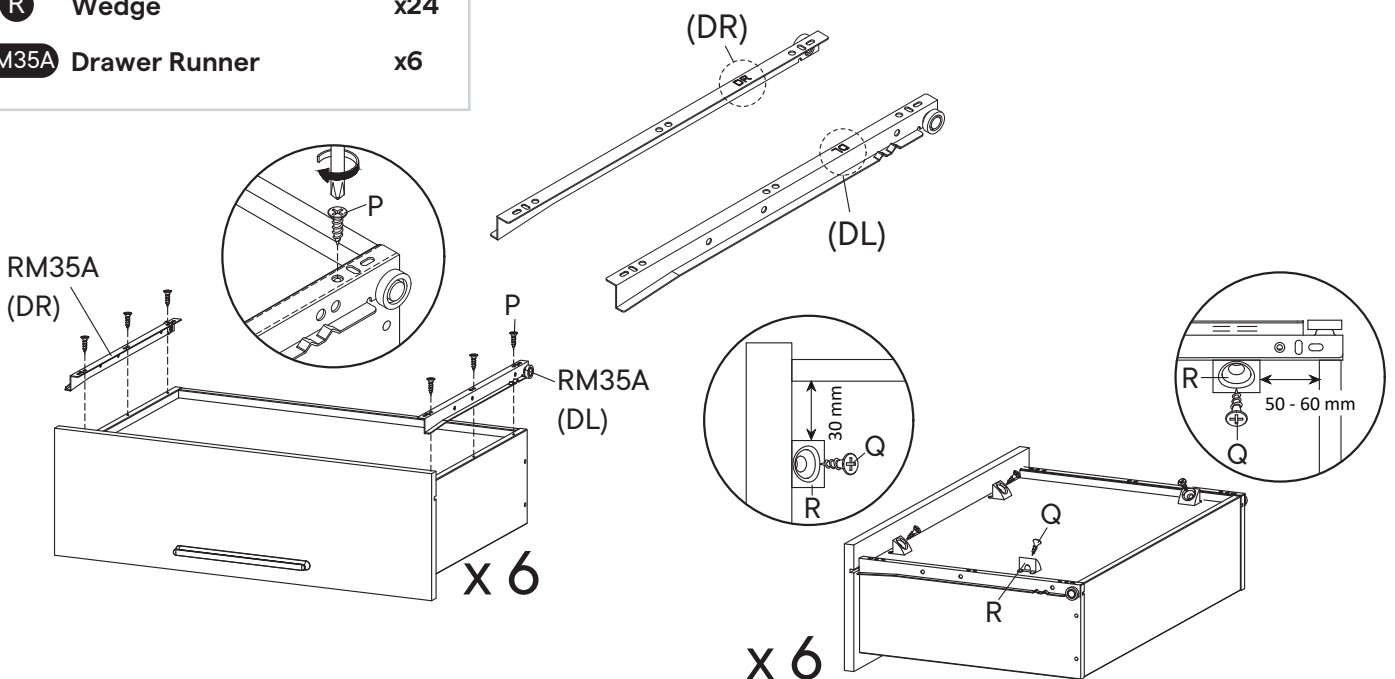
STEP 04

HARDWARE

- P** Screw M 3.5 x 13 mm x36
- Q** Screw M 3.5 x 15.5 mm x24
- R** Wedge x24
- RM35A** Drawer Runner x6

4.1 Install the Drawer Runner (RM35A) into position as shown in picture. Secure with screws M 3.5 x 13 mm (P).

4.2 Insert the Screw M 3.5 x 15.5 mm (Q) and wedge (R) into the bottom of the drawer according to the picture.



HARDWARE

D Wood Dowel Ø8 x 30 mm x12

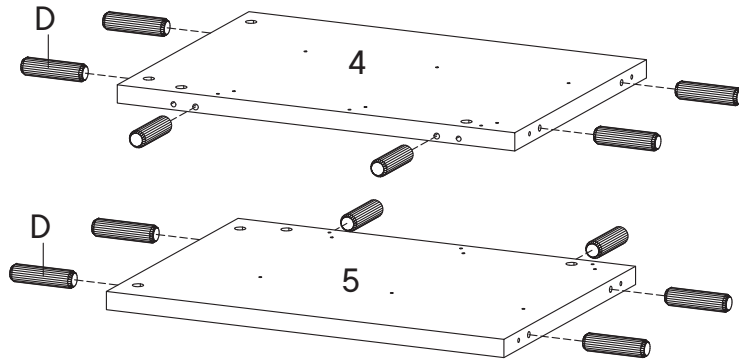
COMPONENTS

4 Side Board Left x1

5 Side Board Right x1

5.1 Insert Wood Dowel Ø8 x 30 mm (D) into the Side Board Left (4).

5.2 Insert Wood Dowel Ø8 x 30 mm (D) into the Side Board Right (5).



STEP 06

HARDWARE

O Screw M 6 x 10.5 mm x18

RM35A Drawer Runner x3

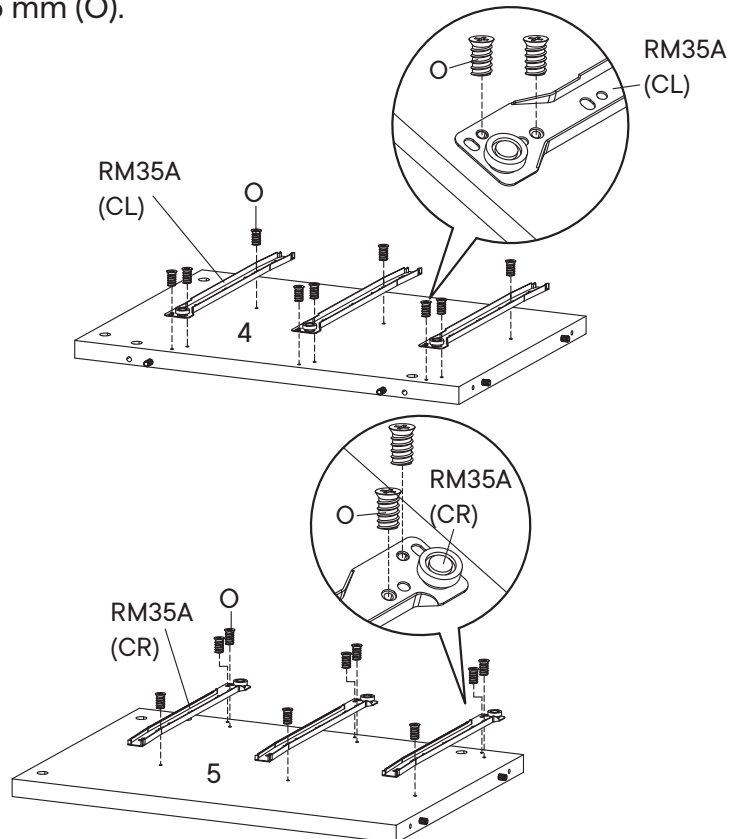
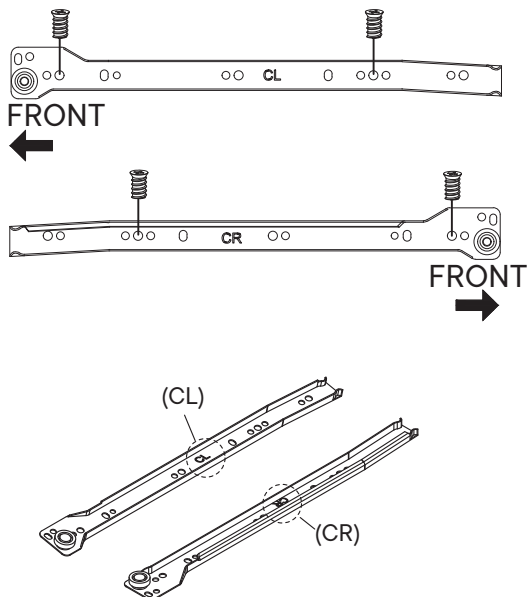
COMPONENTS

4 Side Board Left x1

5 Side Board Right x1

6.1 Securing part of the Drawer Runner (RM35A) into Side Board Left (4) into position as the above image, using screw M 6 x 10.5 mm (O).

6.2 Securing part of the Drawer Runner (RM35A) into Side Board Right (5) into position as the above image, using screw M 6 x 10.5 mm (O).



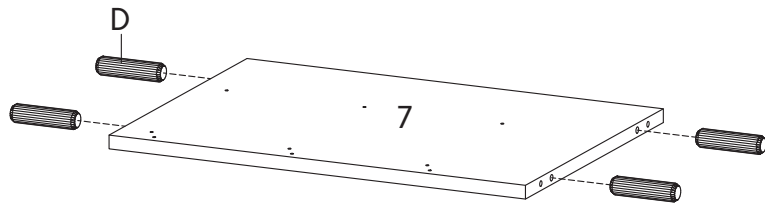
HARDWARE

D Wood Dowel Ø8 x 30 mm x4

COMPONENTS

7 Center Board x1

7.1 Insert Wood Dowel Ø8 x 30 mm (D) into the Center Board (7).



STEP 08

HARDWARE

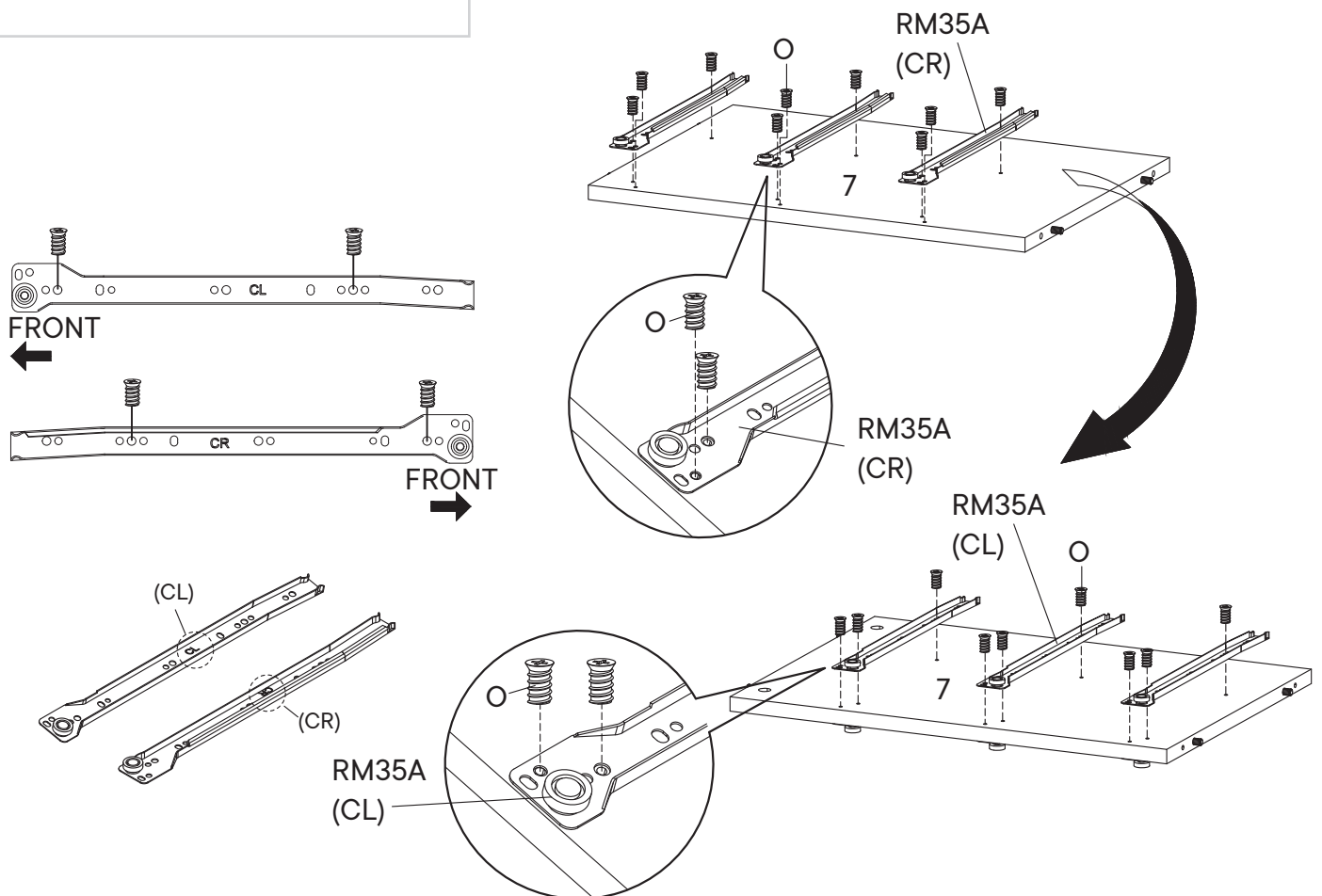
O Screw M 6 x 10.5 mm x18

RM35A Drawer Runner x3

COMPONENTS

7 Center Board x1

8.1 Securing part of the Drawer Runner (RM35A), into position as the above image, using screw M 6 x 10.5 mm (O). Please notice position the Drawer Runner part as per provided images. Flip the Center Board (7) to the other side then repeat the process.



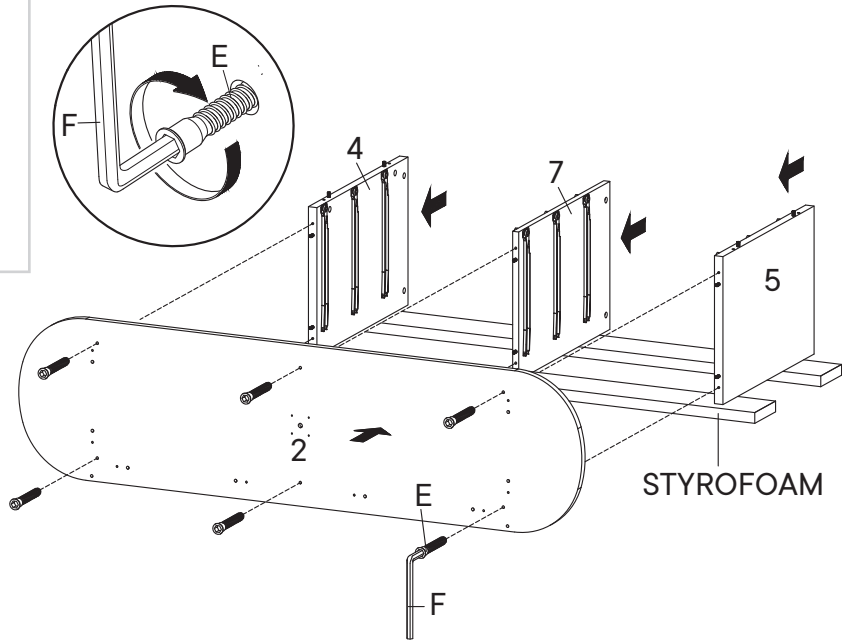
HARDWARE

- E** Screw M 7 x 50 mm x6
- F** Allen Key x1

COMPONENTS

- 2** Bottom Board x1
- 4** Side Board Left x1
- 5** Side Board Right x1
- 7** Center Board x1

9.1 Combine Bottom Board (2), Side Board Left (4), Side Board Right (5) and Center Board (7) according to picture and, then secure with Screw M 7 x 50 mm (E), tighten screws using Allen Key (F).



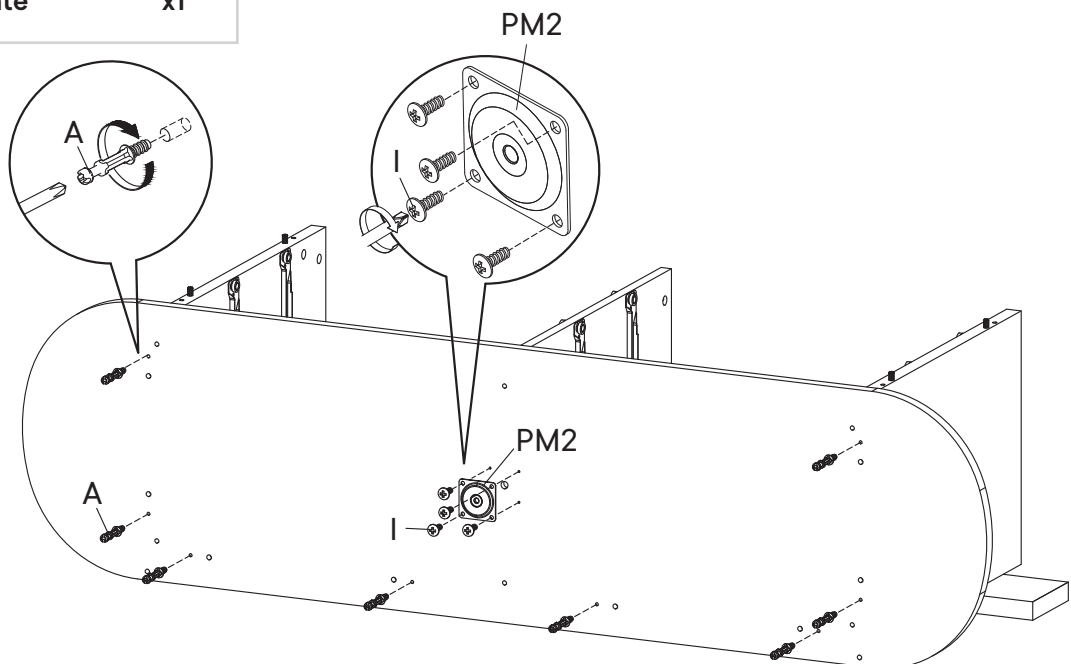
STEP 10

HARDWARE

- A** Cam Bolt $\varnothing 6 \times 35$ mm x8
- I** Screw M 4.5 x 12.5 mm x4
- PM2** Mounting Plate x1

10.1 Insert Cam Bolt $\varnothing 6 \times 35$ mm (A) into the Bottom Board (2).

10.2 Install Mounting Plate (PM2) and secure with Screw M 4.5 x 12.5 mm (I) on Bottom Board (2).



HARDWARE

- A** Cam Bolt $\varnothing 6 \times 35$ mm x2
- D** Wood Dowel $\varnothing 8 \times 30$ mm x8

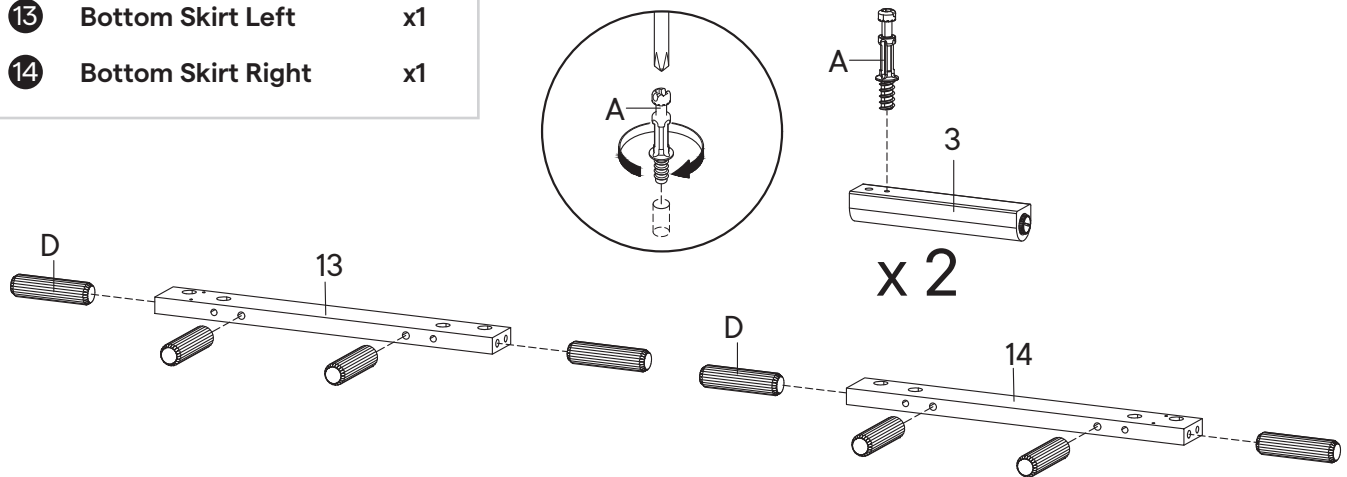
COMPONENTS

- 3** Back Leg x2
- 13** Bottom Skirt Left x1
- 14** Bottom Skirt Right x1

11.1 Insert Cam Bolt $\varnothing 6 \times 35$ mm (A) into the Back Leg (3).

11.2 Insert Wood Dowel $\varnothing 8 \times 30$ mm (D) into the Bottom Skirt Left (13).

11.3 Insert Wood Dowel $\varnothing 8 \times 30$ mm (D) into the Bottom Skirt Right (14).



STEP 12

HARDWARE

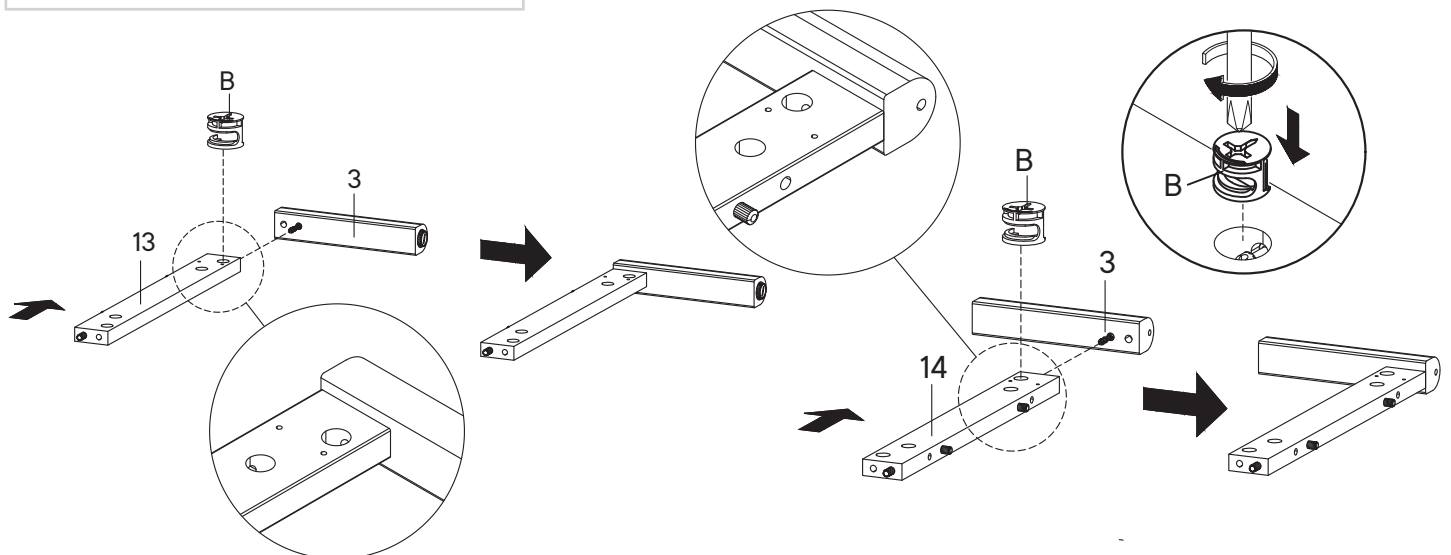
- B** Cam Lock $\varnothing 15$ mm x2

COMPONENTS

- 3** Back Leg x2
- 13** Bottom Skirt Left x1
- 14** Bottom Skirt Right x1

12.1 Attach Back Leg (3) into Bottom Skirt Right (14). Insert Cam Lock $\varnothing 15$ mm (B) then tighten using screwdriver, as shown in the picture.

12.2 Attach Back Leg (3) into Bottom Skirt Left (13). Insert Cam Lock $\varnothing 15$ mm (B) then tighten using screwdriver, as shown in the picture.

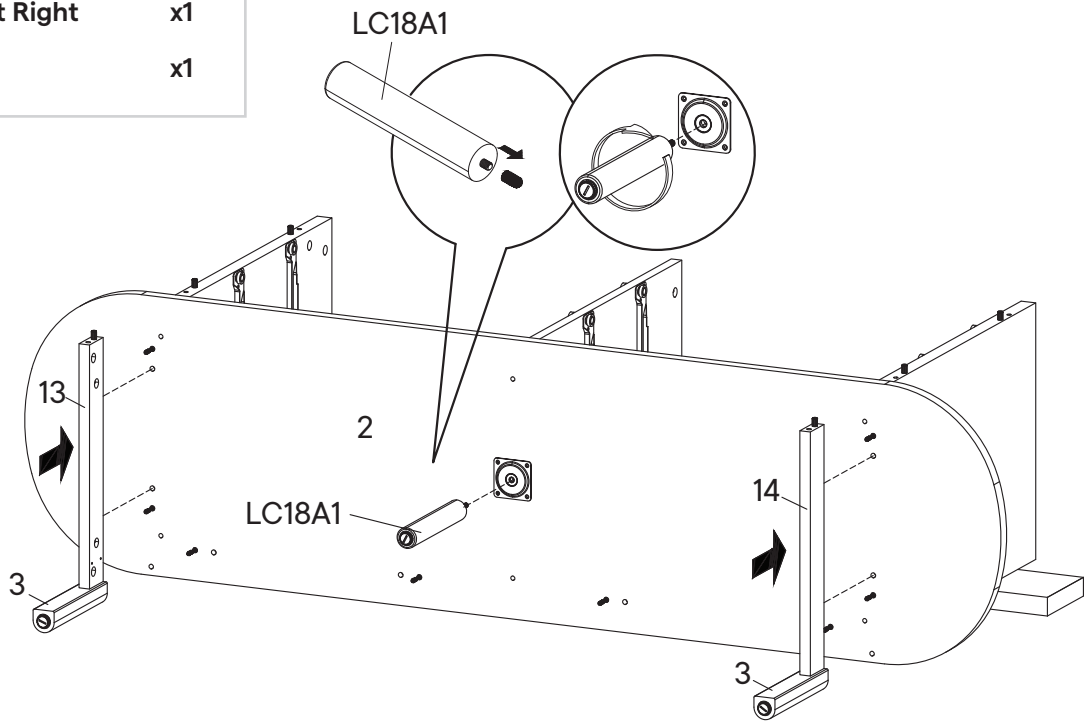


COMPONENTS

- ③ Back Leg x2
- ⑬ Bottom Skirt Left x1
- ⑭ Bottom Skirt Right x1
- LC18A1 Center Leg x1

13.1 Install Bottom Skirts and Back Legs into Bottom Board. Position as shown in the figure.

13.2 Install Center Leg (LC18A1) into Bottom Board. Tighten by rotating clockwise.



STEP 14

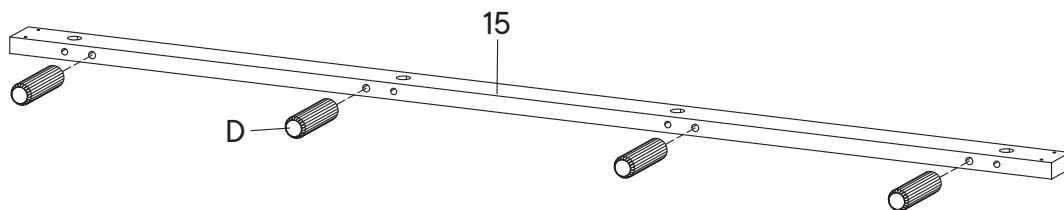
HARDWARE

- Ⓓ Wood Dowel Ø8 x 30 mm x4

COMPONENTS

- ⑮ Bottom Skirt Center x1

14.1 Insert Wood Dowel Ø8 x 30 mm (D) into the Bottom Skirt Center (15).



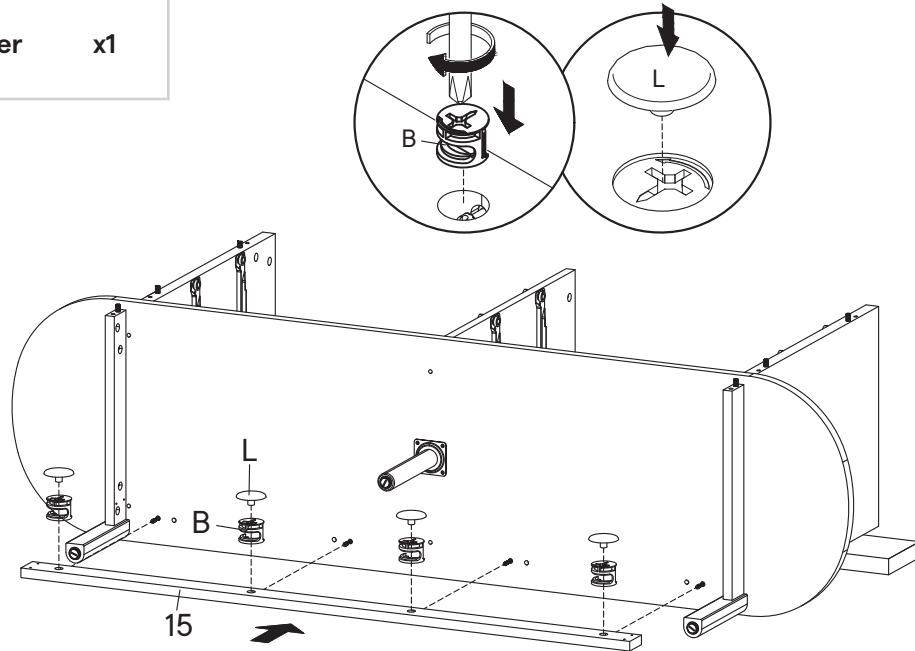
HARDWARE

- B** Cam Lock Ø15 mm x4
- L** Screw Cap Ø15 mm x4

COMPONENTS

- 15** Bottom Skirt Center x1

15.1 Attach Bottom Skirt Center (15) into Bottom Board (2). Insert Cam Lock Ø15 mm (B) then tighten using screwdriver. Put Screw Cap Ø15 mm (L), as shown in the picture.

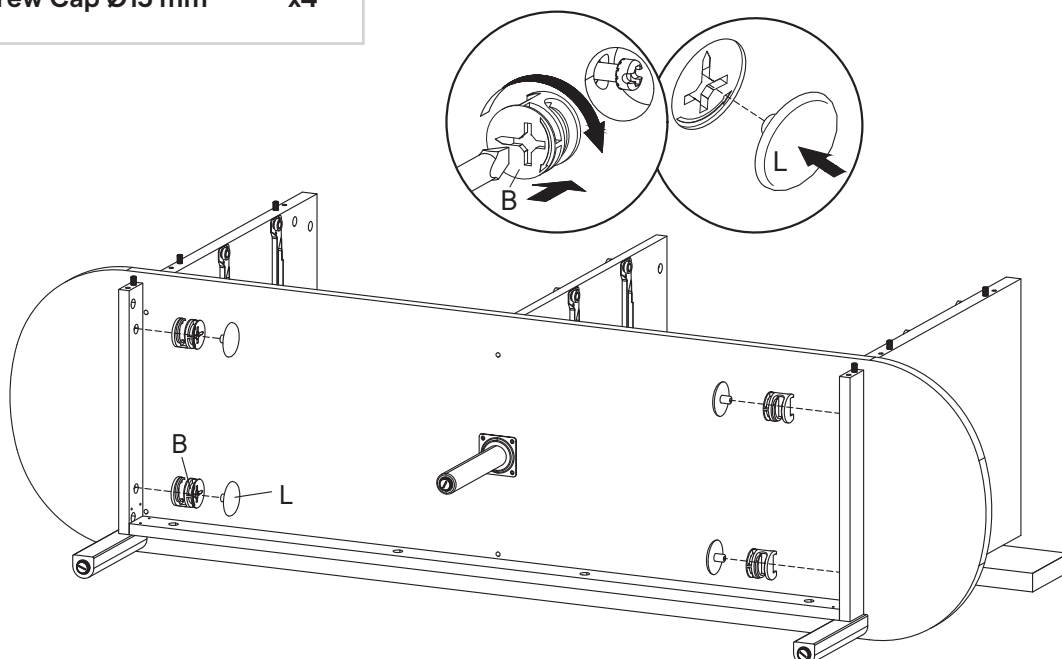


STEP 16

HARDWARE

- B** Cam Lock Ø15 mm x4
- L** Screw Cap Ø15 mm x4

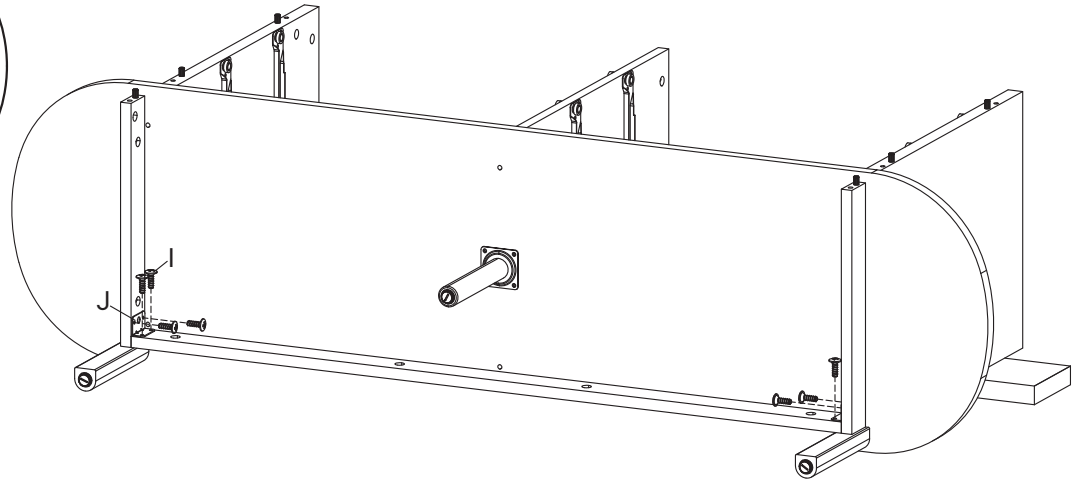
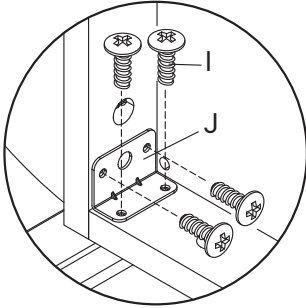
16.1 Insert Cam Lock Ø15 mm (B) then tighten using screwdriver. Put Screw Cap Ø15 mm (L), as shown in the picture.



HARDWARE

- I** Screw M 4.5 x 12.5 mm x8
- J** Bracket x2

17.1 Insert Bracket (J) into Bottom Skirts, then tighten using screwdriver with Screw M 4.5 x 12.5 mm (I).



STEP 18

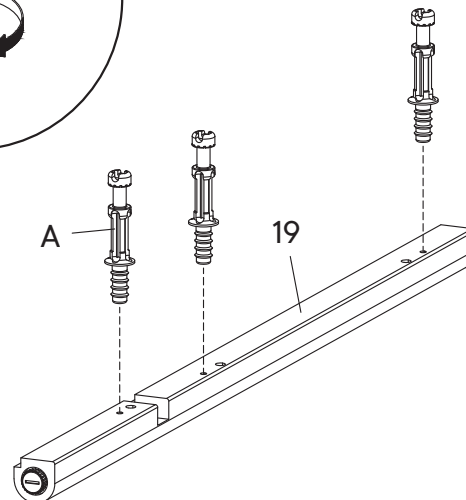
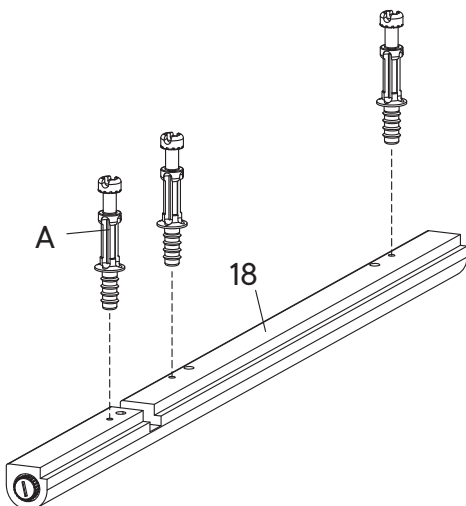
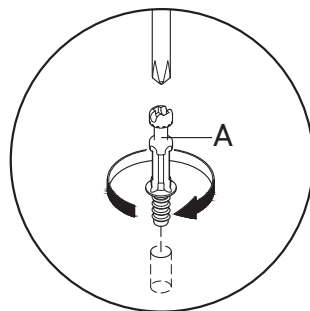
HARDWARE

- A** Cam Bolt Ø6 x 35 mm x6

COMPONENTS

- 18** Front Leg Left x1
- 19** Front Leg Right x1

18.1 Insert Cam Bolt Ø6 x 35 mm (A) into Front Leg Left (18) and Front Leg Right (19).



HARDWARE

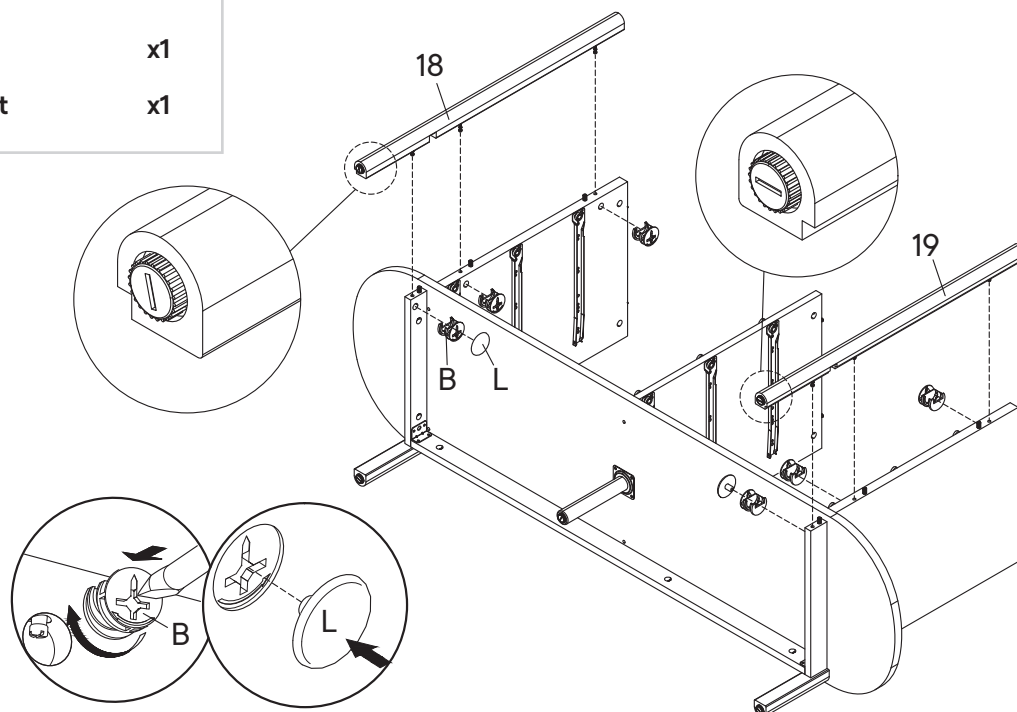
- B** Cam Lock Ø15 mm x6
- L** Screw Cap Ø15 mm x2

COMPONENTS

- 18** Front Leg Left x1
- 19** Front Leg Right x1

19.1 To install Front Leg Left (18) and Front Leg Right (19), Insert Cam Lock Ø15 mm (B) then tighten using screwdriver. please as shown in the picture.

19.2 Insert Cam Lock Ø15 mm (B) then tighten using screwdriver. Put Screw Cap Ø15 mm (L).

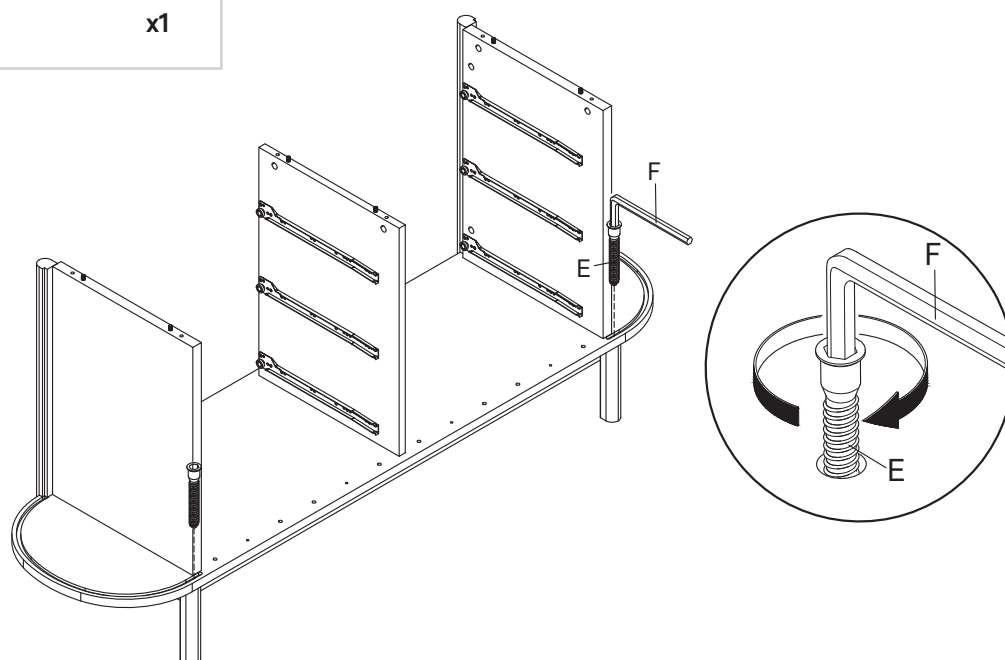


STEP 20

HARDWARE

- E** Screw M 7 x 50 mm x2
- F** Allen Key x1

20.1 Insert Screw M 7 x 50 mm (E), secure with using Allen Key (F). Position as shown in the figure.



HARDWARE

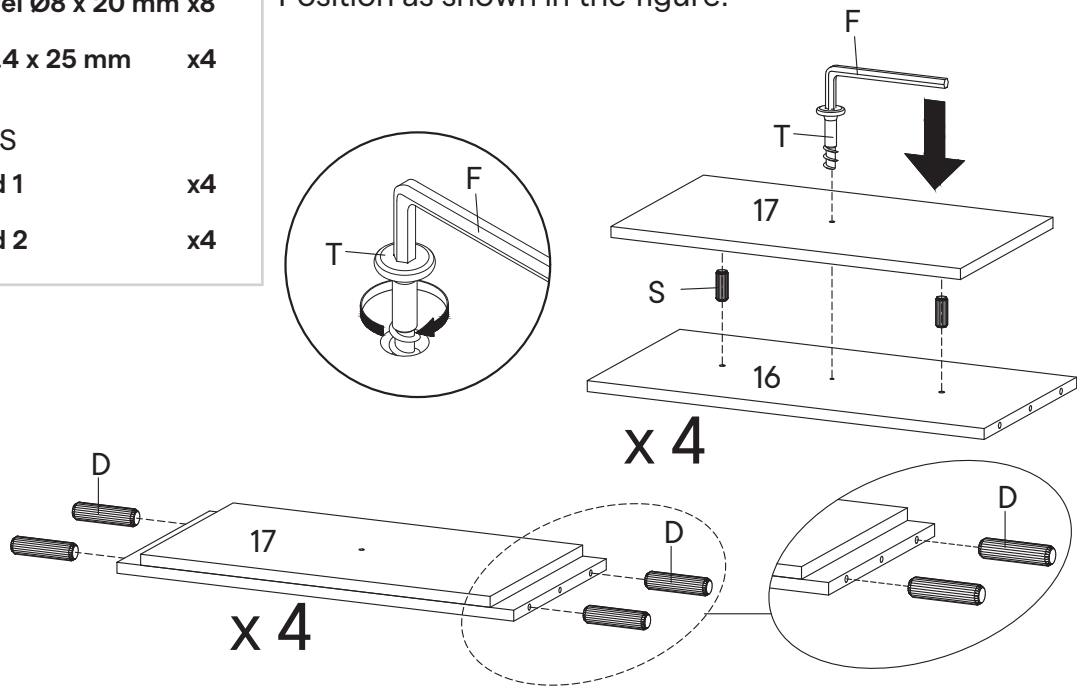
- D** Wood Dowel Ø8 x 30 mm x16
- F** Allen Key x1
- S** Wood Dowel Ø8 x 20 mm x8
- T** Screw M 6.4 x 25 mm x4

COMPONENTS

- 16** Back Board 1 x4
- 17** Back Board 2 x4

21.1 Insert Wood Dowel Ø8 x 20 mm (S) into between Back Board 1 (16) and Back Board 2 (17). Insert Screw M 6.4 x 25 mm (T), secure with using Allen Key (F). Position as shown in the figure.

21.2 Insert Wood Dowel Ø8 x 30 mm (D) into Back Board 1 (16). Position as shown in the figure.



STEP 22

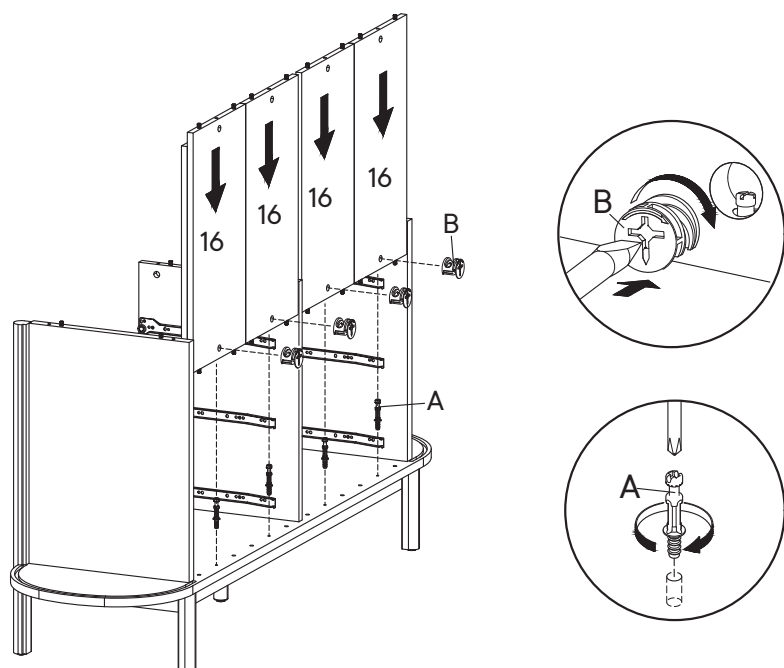
HARDWARE

- A** Cam Bolt Ø6 x 35 mm x4
- B** Cam Lock Ø15 mm x4

COMPONENTS

- 16** Back Board 1 x4
- 17** Back Board 2 x4

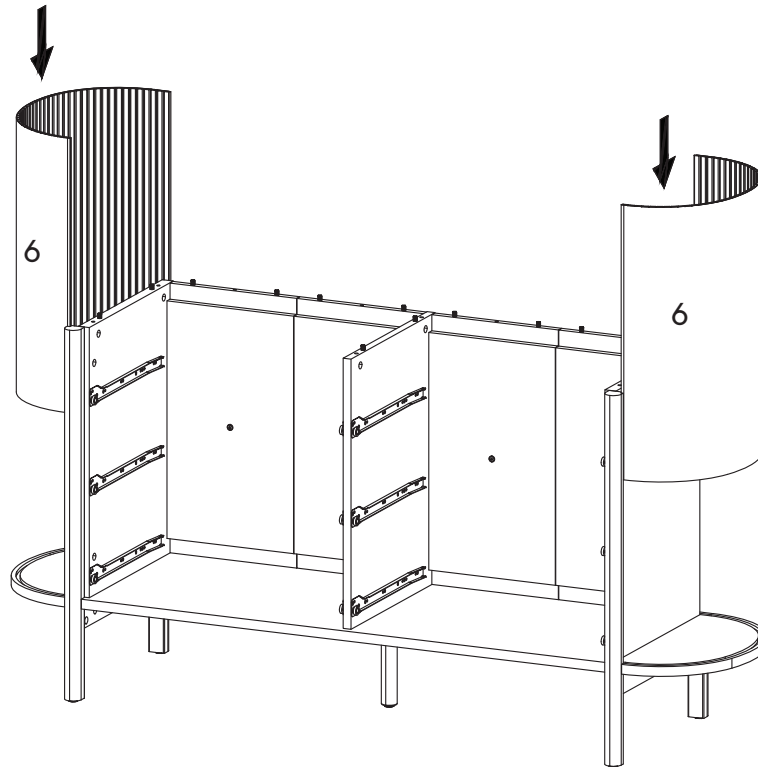
22.1 Insert Cam Bolt Ø6 x 35 mm (A) into the Bottom Board. Install Back Boards secure with Cam Lock Ø15 mm (B) then tighten using screwdriver. Position as shown in the figure.



COMPONENTS

⑥ Bar Side x2

23.1 Install Bar Side (6) into Bottom Board. Position as shown in the figure.



STEP 24

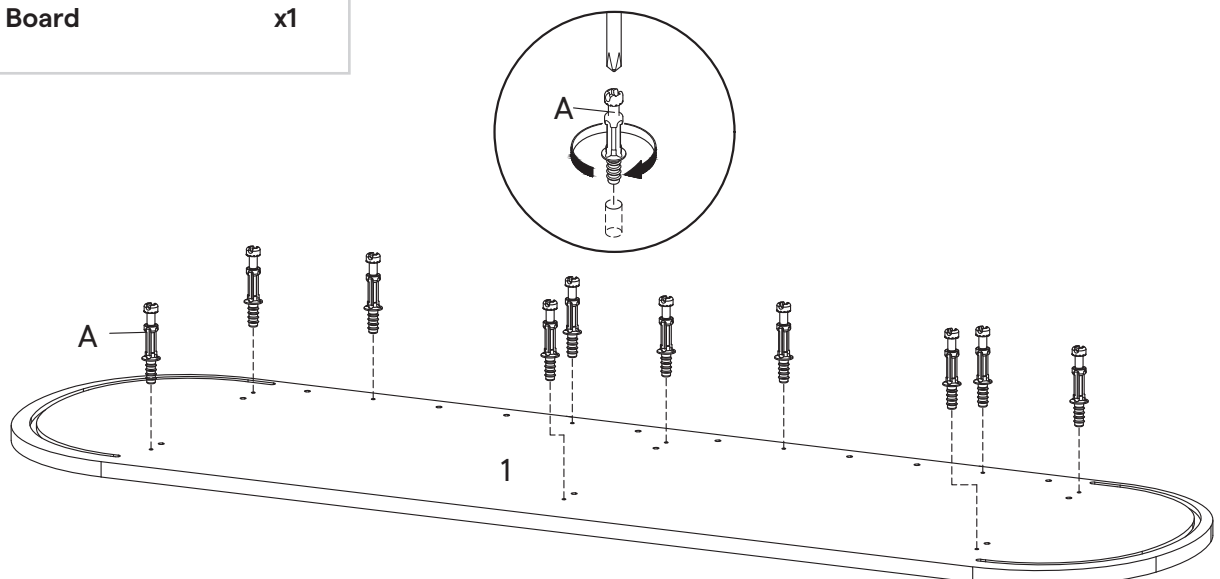
HARDWARE

Ⓐ Cam Bolt Ø6 x 35 mm x10

COMPONENTS

① Top Board x1

24.1 Insert Cam Bolt Ø6 x 35 mm (A) into the Top Board (1).



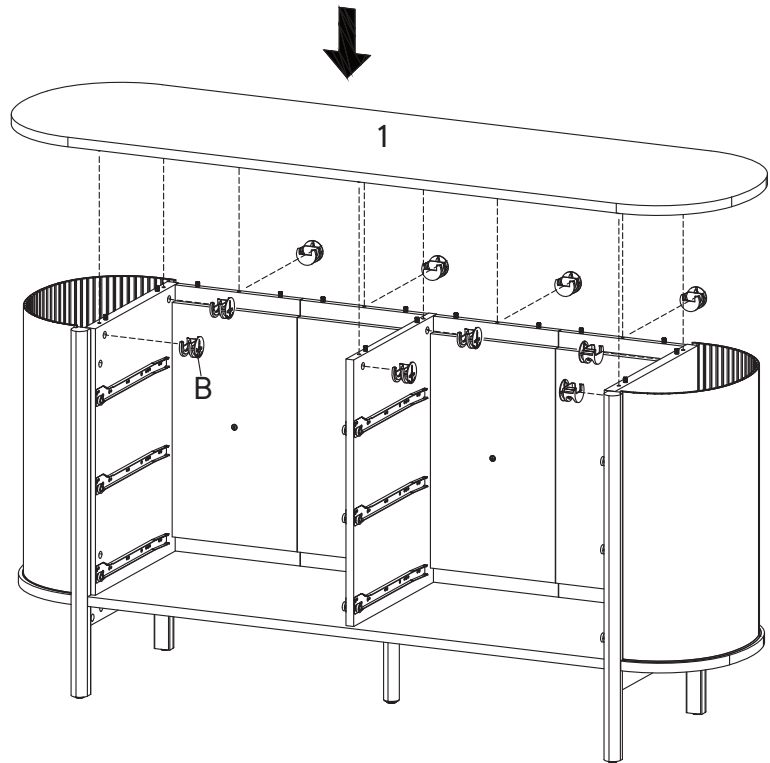
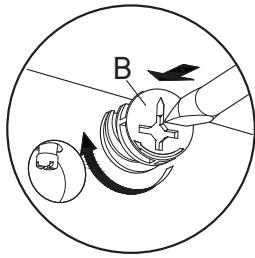
HARDWARE

B Cam Lock Ø15 mm x10

COMPONENTS

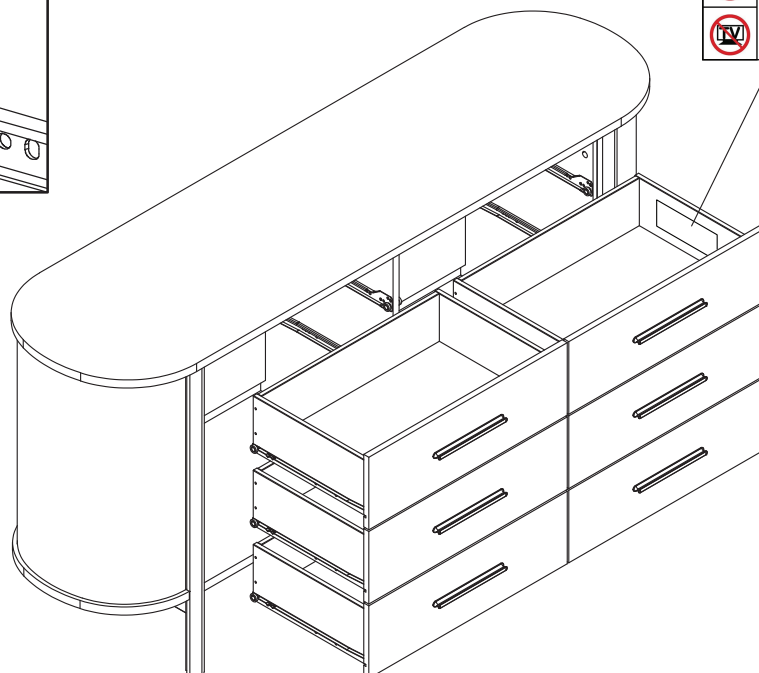
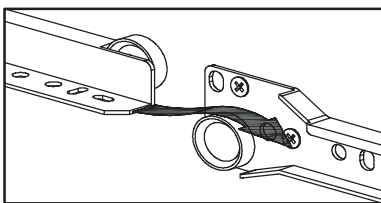
1 Top Board x1

25.1 Insert Top Board (1) and secure with Cam Lock Ø15 mm (B) then tighten using screwdriver. Position as shown in the figure.



STEP 26

26.1 Hold the sides of drawer, position the wheel of rail at drawer back and the wheel of rail at side boards, according to the image. Slide in the drawers one by one into the chest drawer.



COMPONENTS

K List

x2

27.1 Install List (K) into lower groove line in Bottom Board. Position as shown in the figure.



STEP 28

28.1 Place your furniture on level floor. The legs come with adjustable leveller, adjust it as needed until your furniture sit steady on the floor.

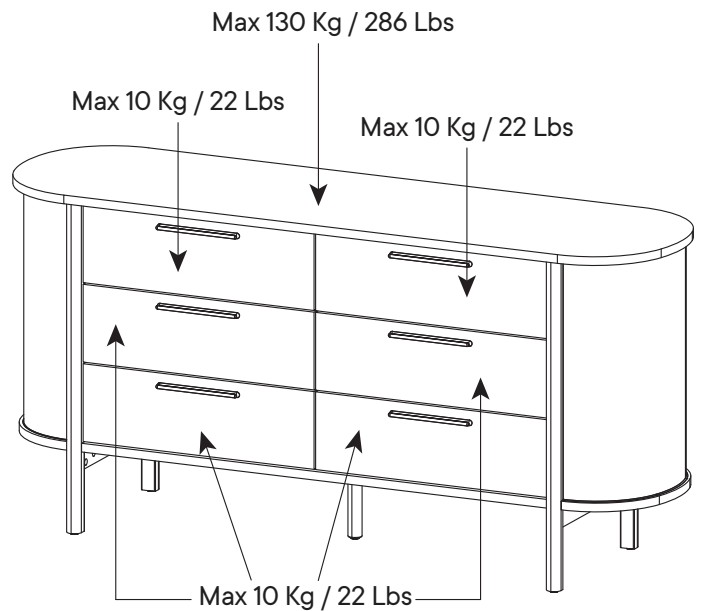


Great job!

Chest of Drawers assembly is complete

CARING FOR YOUR ITEM

- Indoor use only.
- Not contract grade.
- Clean using a non-abrasive cloth and a mild cleaner.
- Never use harsh chemicals, as they could damage the finish or integrity of the item.



CONNECT WITH US!

Tag us @modway_furniture and #modway for a chance to be featured.

modway



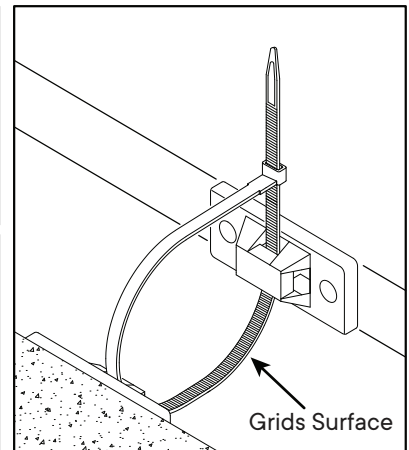
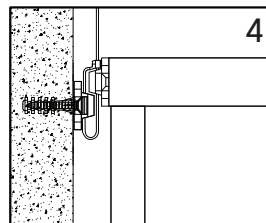
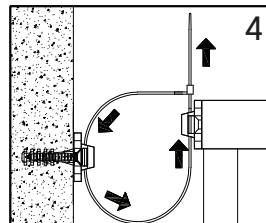
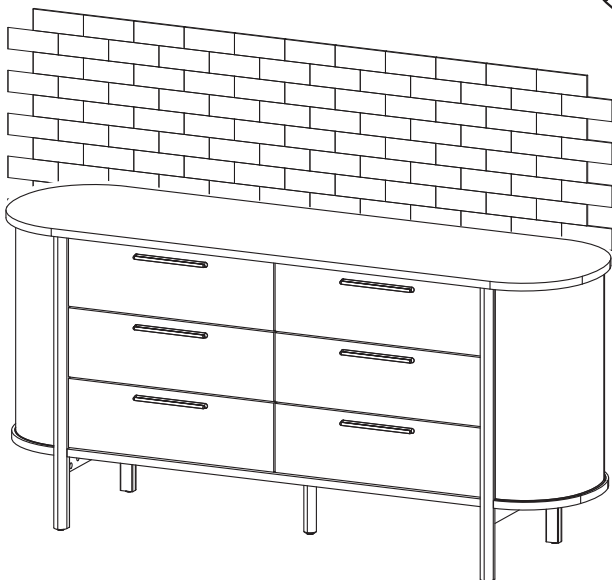
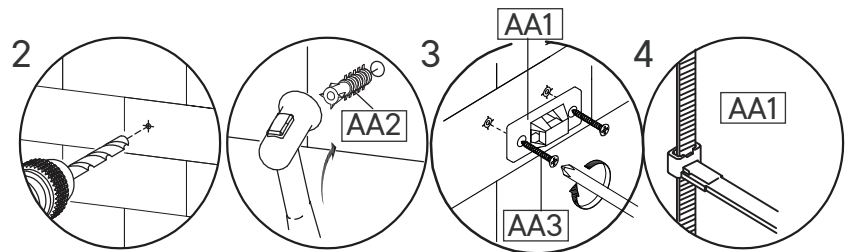
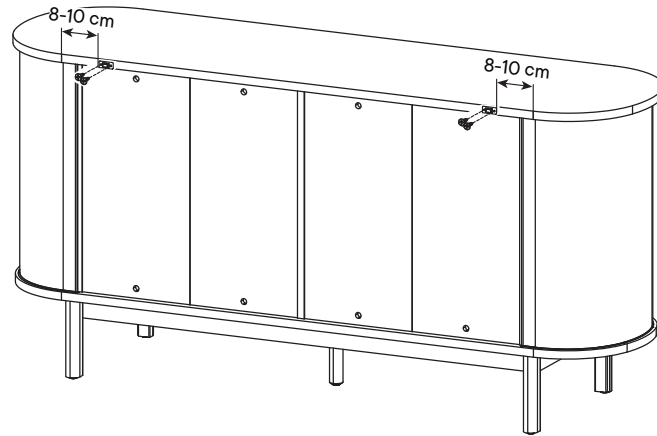
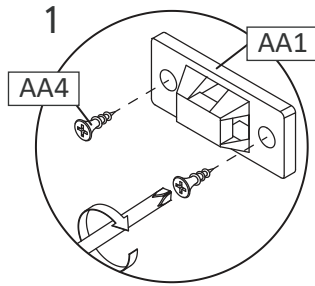
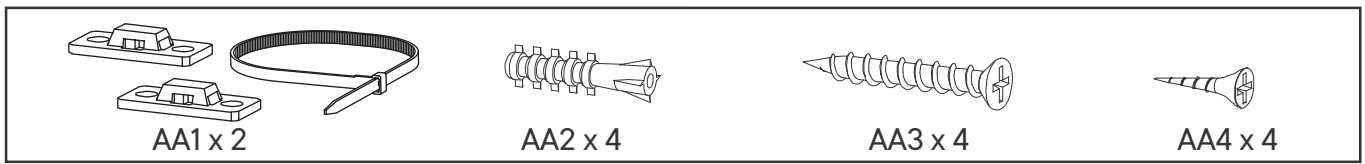
Questions? Contact us!
609.256.9000
cs@modway.com

TIPPING RESTRAINTS KIT INSTALLATION GUIDANCE

Different wall materials require unique wall fasteners.

The wall plugs (AA2) and screws (AA3) are designed for fixing to concrete walls only.

Please consult your local hardware store to ensure you are using the correct hardware for you wall type.



Installation Instructions :

1. Attach bracket (AA1) securely to the back top of the furniture using screw (AA4) provided. Allow 8 - 10 cm from each side.
2. Please make a hole for wall plugs position on the wall and minimum 15 mm below bracket secured to the back of unit attach the wall plugs (AA2).
3. Locate the other bracket (AA1) on the wall over wall plugs (AA2). Place furniture into position so both brackets (AA1) are vertically in the line.
4. Lace the end of the restraints strap through the larger hole in each bracket. Ensure the restraints strap with grids surface facing the inner loops. Bring both ends together and slide the flat end through the locking end and draw it through until all slack is removed.
5. Make sure that the strap is securely laced & locked.