



# OUTDOOR COOKING





**GRILLING IS A PERFECTIONIST'S PURSUIT. YOUR GUESTS RAVE. BUT YOU KNOW JUST THE TRICK TO MAKE IT EVEN BETTER NEXT TIME. A DASH MORE OF THIS. A PINCH LESS OF THAT. SOAK THE MESQUITE CHIPS OVERNIGHT IN WHISKEY. NO, MAKE THAT BOURBON.**

**HESTAN OUTDOOR WAS BORN FROM THIS SAME PERFECTIONIST PASSION. OUR ENGINEERS EXPERIMENTED, INNOVATED, TWEAKED AND TINKERED UNTIL THEY CREATED THE MOST POWERFUL, VERSATILE AND RELIABLE GRILL AVAILABLE. THE ONLY DRAWBACK WITH THIS LEVEL OF PERFORMANCE IS YOU CAN'T BLAME ANYTHING ON THE GRILL. RISE TO THE CHALLENGE.**

# GRILLS





36" Grill



36" Grill on Tower Cart with Optional Side Burner with Double Drawers/Door

**CERAMIC INFRARED TOP BURNER** delivers 12,000 to 18,000 BTUs, perfect for rotisserie, searing, broiling or finishing.



36" Grill on Tower Cart with Double Doors

Grilling is a personal obsession. So Hestan Outdoor offers options for every grill-master (and architect). Built-in. Freestanding. Carts. They're all made in the USA from superior-grade stainless steel and include incomparable features like our whisper-quiet rotisserie, infrared rotisserie burner, flip-to-clean ceramic briquettes and signature DiamondCut Grates™. The spring-assisted Horizon Hood™ opens easily and holds at your desired height. Motion-activated Stadium Lights™ under-hood halogen lighting helps you keep an eye on everything. And the powerful Trellis Burner™ system delivers both precision control and even heat coverage.



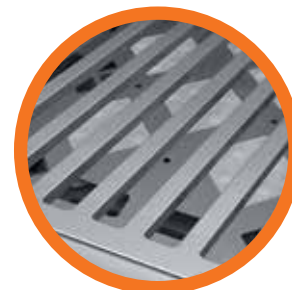
Deluxe Grills available in 36" and 42" widths. Built-In Grills and Tower Carts available in 30", 36" and 42" widths. All Hestan grills available in 12 signature colors. 42" Grill on Tower Cart shown here in Prince.



42" Freestanding Deluxe Grill with Double Side Burner

**5/16" STAINLESS STEEL DIAMONDCUT GRATES™**

are laser cut in-house to ensure even heat distribution, durability and easy cleaning.



42" Freestanding Deluxe Grill with Worktop and Storage Drawer





**“EXECUTION SHOULD ALWAYS EXCEED EXPECTATIONS.”**

**G**rilling is a serious culinary endeavor. Brines. Marinades. Precision. Heat. Hestan delivers the consistent control vital to perfecting everything from shrimp skewers to leg of lamb. It’s American-made durability that weathers year-round use.

Chef Thomas Keller

# REFRIGERATION





15" Ice Machine



24" Beer Dispenser Single Faucet



24" Beer Dispenser Double Faucet

**G**rilling means more than sharing food. It's about sharing the moment. As the smoke wafts, smiles get bigger, stories get longer and your friends get thirsty. From refrigerated drawers and ice machines to beer taps and wine storage, Hestan Outdoor keeps your ingredients fresh and your guests refreshed. Refrigerators and refrigerated drawers keep burgers or beverages handy. The wine refrigerator protects your wine from the elements with temperature zones for your reds and whites. And the ice machine produces up to 55 pounds of crystal-clear ice every 24 hours. So you're always prepared for a couple dozen friends to drop by.

**LOW E, UV-COATED GLASS** protects wine from sunlight, while the rack design protects from vibration.



24" Dual Zone Solid Door Refrigerator



24" Dual Zone Glass Door Refrigerator



24" Refrigerated Drawers / 24" Refrigerated Drawer and Freezer Drawer



24" Solid Door Refrigerator

**UNDERCOUNTER REFRIGERATORS, REFRIGERATOR DRAWERS AND FREEZER DRAWERS**

deliver convenient cold storage.



# STORAGE & CLEANUP







18" or 24" Single Access Doors

**SEALED PANTRY  
KEEPS ALL YOUR  
SPICES AND  
CONDIMENTS SAFE  
AND HANDY.**



30", 36" or 42" Double Access Doors



**CUTTING  
BOARD**

slides over to reveal a  
handy trash chute for  
your stems and peels.



**W**e believe the outdoor kitchen should offer all the convenience of the great indoors. So we've outfitted the Hestan Outdoor lineup with helpful details to keep everything clean and organized. Storage drawers, access doors and a sealed pantry keep your secret ingredients close at hand and safe from the elements (or animals), while trash chutes and recycle centers keep the party tidy.



20" Trash and Recycle Storage Drawer



Countertop Trash Chute



16" Double Drawers



30", 36" or 42" Double Drawers and  
Storage Door Combination



30", 36" or 42" Double Storage Doors



36" Double Sealed Pantry Storage Doors



30" or 36" Single Storage Drawer



Paper Towel Dispenser

# ACCESSORIES





24" Power Burner shown in Sol

**DIAMONDCUT GRATE™**

Commercial-grade 1/2" diameter stainless steel rod grate with 1/4" thick removable DiamondCut Grate™ center accommodates 14"-20" diameter woks.



Carbon Fiber Vinyl Covers

**REFRESHMENT CENTER**

incorporates heavy-gauge insulated sink with optional ice bin.



Refreshment Center

**A**dd even more power, performance and versatility to your Hestan Outdoor kitchen. The 70,000 BTU power burner handles any crab boil (or crawfish, if you prefer). Side burners let you take care of all your sauces and side dishes while you grill. The custom-made smoker set gives you extra oomph. And the carbon fiber vinyl grill cover protects your deluxe and tower cart grills in style.



12" Single Side Burner



12" Double Side Burner



Smoker Set



30", 36" or 42" Insulated Jackets



# OUTDOOR LIVING SUITES

(Appliances not included)



12' Model accommodates:

42" Grill

42" Double Access Doors or  
Drawer/Door Cabinet

12" Double Side Burner

16" Double Drawers

20" Trash and Recycling Center  
Storage Drawer with Trash Chute

Any 24" Refrigeration Product

8' Model accommodates:

36" Grill

36" Access Doors, Drawer/  
Door Cabinet or Sealed Pantry

12" Double Side Burner

Any 24" Refrigeration Product



**H**estan Outdoor Living Suites transform your patio into a well-stocked oasis with cutouts for grills, side burners, storage, refrigeration or the all-important beverage dispenser. It comes equipped with weatherproof outlets and single-point gas and electrical connections to streamline fuel and power for all of your Hestan products. The suite can accommodate custom countertops or we can ship it with a fully-welded, single piece stainless steel countertop. Your style. Your choice.

# COLOR

**O**ur signature color finishes offer a spectrum from classic to vibrant. All finishes are powder coated on high-grade stainless steel to withstand the elements.



Sol



Tin Roof



Citra



Matador



Lush



Stealth



Prince



Bora Bora



Froth



Steeletto



Pacific Fog



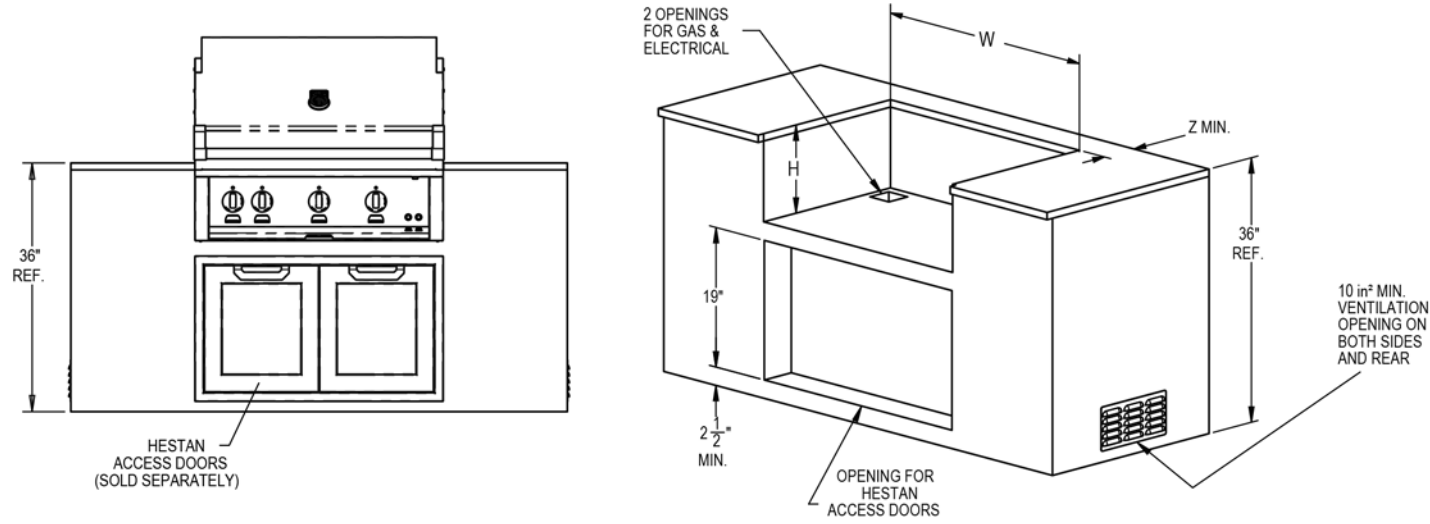
Grove



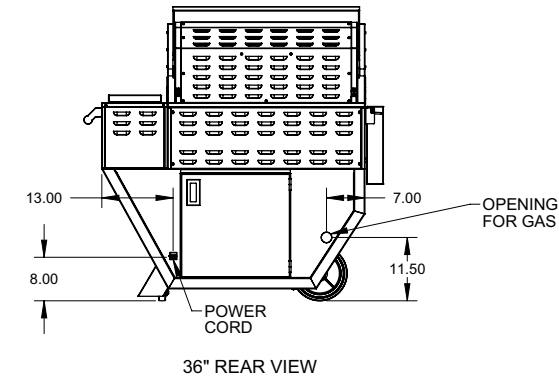
**GRILLING IS AN OBSESSION SHARED BY THE ENGINEERS, DESIGNERS AND WELDERS AT HESTAN. OUR OUTDOOR PRODUCTS ARE THOUGHTFULLY DESIGNED AND DILIGENTLY ENGINEERED TO DELIVER THE UTMOST IN OUTDOOR PERFORMANCE.**

**EACH AND EVERY GRILL IS BUILT FROM SCRATCH AT HESTAN HEADQUARTERS IN ANAHEIM, CALIFORNIA. WE CUT OUR OWN STEEL. WE FABRICATE OUR GRATES. AND WE MAKE SURE EVERY DETAIL IS ABSOLUTELY PERFECT BEFORE YOUR GRILL LEAVES OUR FLOOR.**

## BUILT-IN GRILL SPECS



## DELUXE GRILL SPECS



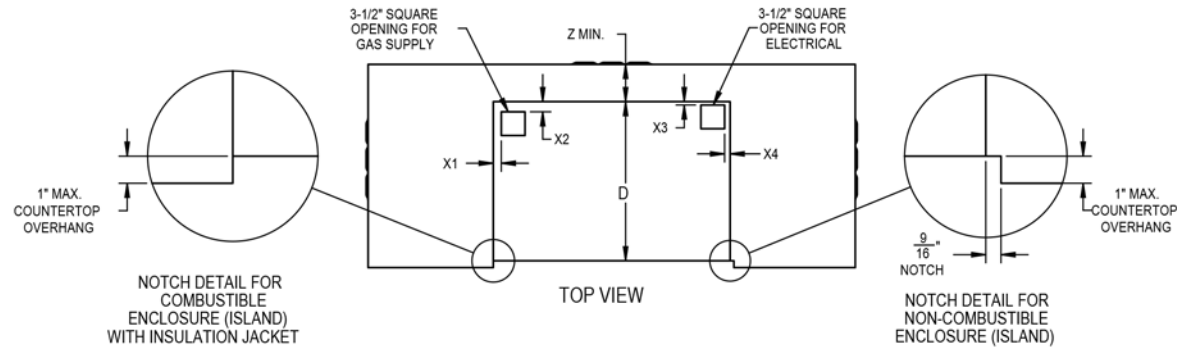
**GAS REQUIREMENTS:** 1/2" NPT gas connection. Minimum gas supply is 7" water column for natural gas and 11" for propane. Operating pressure at the manifold is 4" water column for natural gas and 10" for propane. All units require a regulated gas supply. (included)

**ELECTRICAL REQUIREMENTS:** 120V, 60Hz, 7 amps

All Models	Description	Overall Dims			Total Btu's
		W(in.)	D(in.)	H(in.)	
G_BR36CX-NG / -LP	Deluxe Freestanding 36" grill with worktop / drawer	54-3/4	32-1/2	53-9/16	89000
G_BR36CX2-NG / -LP	Deluxe Freestanding 36" grill with double side burner	54-3/4	32-1/2	53-9/16	119000
G_BR42CX-NG / -LP	Deluxe Freestanding 42" grill with worktop / drawer	60-3/4	32-1/2	53-9/16	118000
G_BR42CX2-NG / -LP	Deluxe Freestanding 42" grill with double side burner	60-3/4	32-1/2	53-9/16	148000

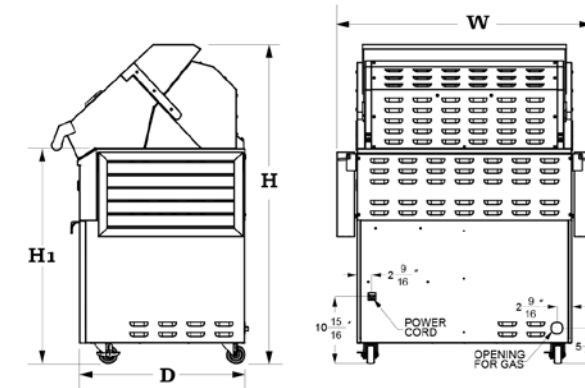
\_ = specify burner configuration  
 A= all Trellis Burners M= Sear and Trellis Burners S= all Sear Burners

## TOWER CART SPECS



Built - In Models	Description	Cutout Dimensions								Total Btu's
		W (in.)	D (in.)	H (in.)	X1 (in.)	X2 (in.)	X3 (in.)	X4 (in.)	Z (in.)	
G_BR30-NG / -LP	30" Grill Built-in	29	23-1/2	11-1/2	1-3/16	1-1/2	1/4	13/16	5-1/2	62000
G_BR36-NG / -LP	36" Grill Built-in	35	23-1/2	11-1/2	1-3/16	1-1/2	1/4	13/16	5-1/2	89000
G_BR42-NG / -LP	42" Grill Built-in	41	23-1/2	11-1/2	1-3/16	1-1/2	1/4	13/16	5-1/2	118000

\_ = specify burner configuration A= all Trellis Burners M= Sear and Trellis Burners S= all Sear Burners



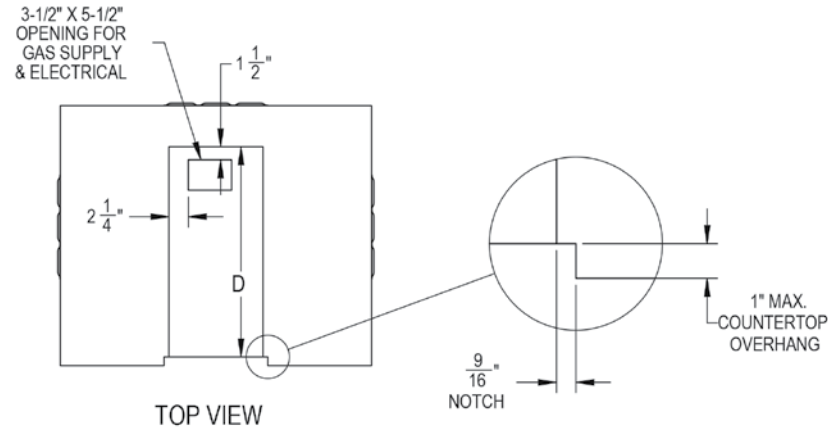
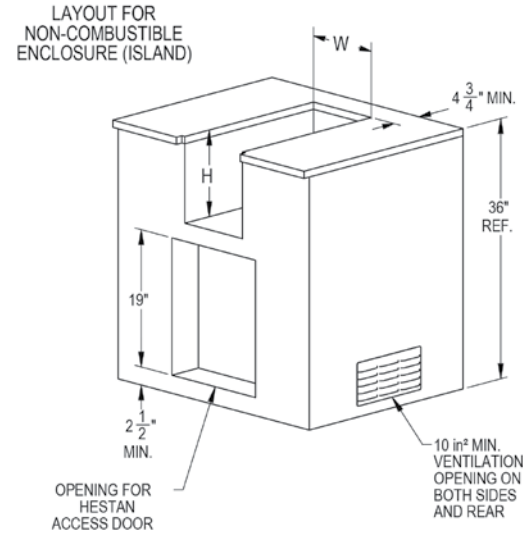
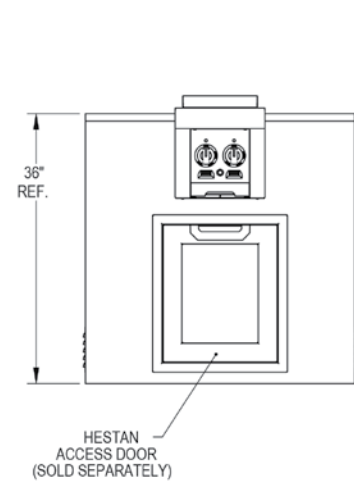
INSULATED JACKETS									
Model Number	Description	W (in.)	D (in.)	H (in.)	X1 (in.)	X2 (in.)	X3 (in.)	X4 (in.)	Z (in.)
AGI30	Insulated Jacket, 30"	35	25-1/8	12-13/16	4-3/16	3-1/8	1-1/2	3-13/16	3-7/8
AGI36	Insulated Jacket, 36"	41	25-1/8	12-13/16	4-3/16	3-1/8	1-1/2	3-13/16	3-7/8
AGI42	Insulated Jacket, 42"	47	25-1/8	12-13/16	4-3/16	3-1/8	1-1/2	3-13/16	3-7/8

**GAS REQUIREMENTS:** 1/2" NPT gas connector. Minimum gas supply is 7" water column for natural gas and 11" for propane. Operating pressure at the manifold is 4" water column for natural gas and 10" for propane. All units require a regulated gas supply. (included)

**ELECTRICAL REQUIREMENTS:** 120V, 60Hz, 6 amps

All Models	Description	Overall Dims			H1 (in.) cart only	with Side Burner (W in.)	w/ Side Burner and Side Shelf (W in.)
		W(in.)	D(in.)	H(in.)			
GCD30	30" Double Door Tower Cart	36-13/16	27-13/16	53-5/8	36-1/16	45-3/8	48-3/4
GCR30	30" Door and Drawer Tower Cart	36-13/16	27-13/16	53-5/8	36-1/16	45-3/8	48-3/4
GCD36	36" Double Door Tower Cart	42-13/16	27-13/16	53-5/8	36-1/16	51-3/8	54-3/4
GCR36	36" Door and Drawer Tower Cart	42-13/16	27-13/16	53-5/8	36-1/16	51-3/8	54-3/4
GCR42	42" Door and Drawer Tower Cart	48-13/16	27-13/16	53-5/8	36-1/16	57-3/8	60-3/4

## SIDE BURNER SPECS



### ELECTRICAL REQUIREMENTS :

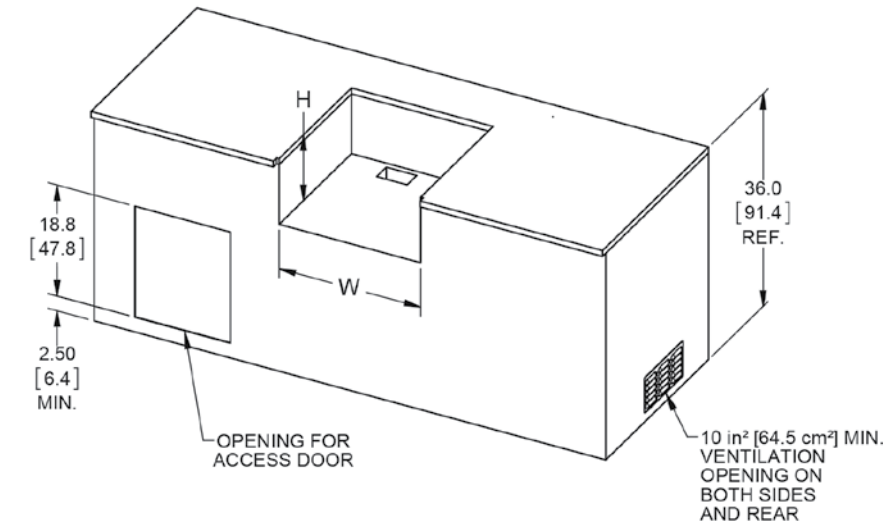
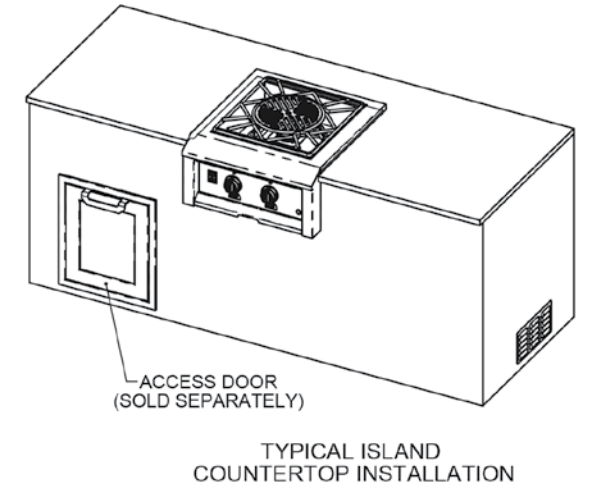
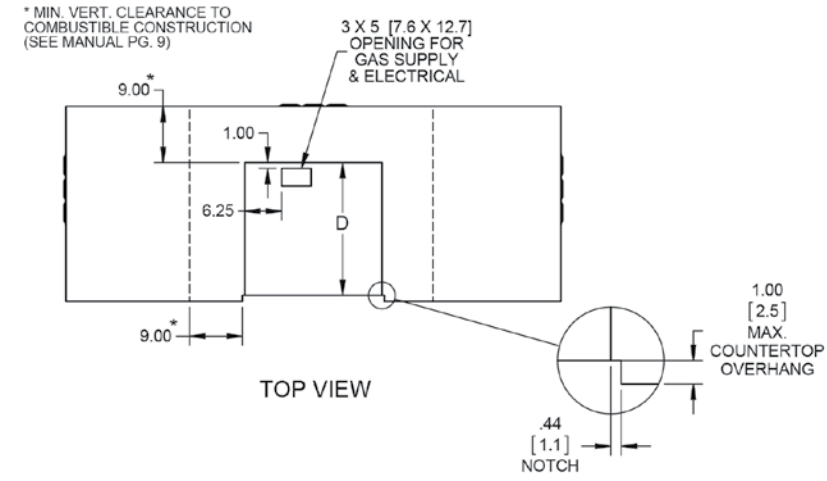
120V, 60Hz, 1 amp

### GAS REQUIREMENTS :

1/2" NPT gas connection. Minimum gas supply is 7" water column for natural gas and 11" for propane. Operating pressure at the manifold is 4" water column for natural gas and 10" for propane. All units require a regulated gas supply. (included)

All Models	Description	Cutout Dimensions			Total Btu's
		W(in.)	D(in.)	H(in.)	
AGB121-NG / -LP	Single Side Burner, Built-in, 12"	11	13-7/8	11-1/2	20,000
AGB122-NG / -LP	Double Side Burner, Built-In or Cart-Attached 12"	11	24-1/4	11-1/2	30,000

## POWER BURNER SPECS



### ELECTRICAL REQUIREMENTS :

120V, 60Hz, 1 amp

### GAS REQUIREMENTS :

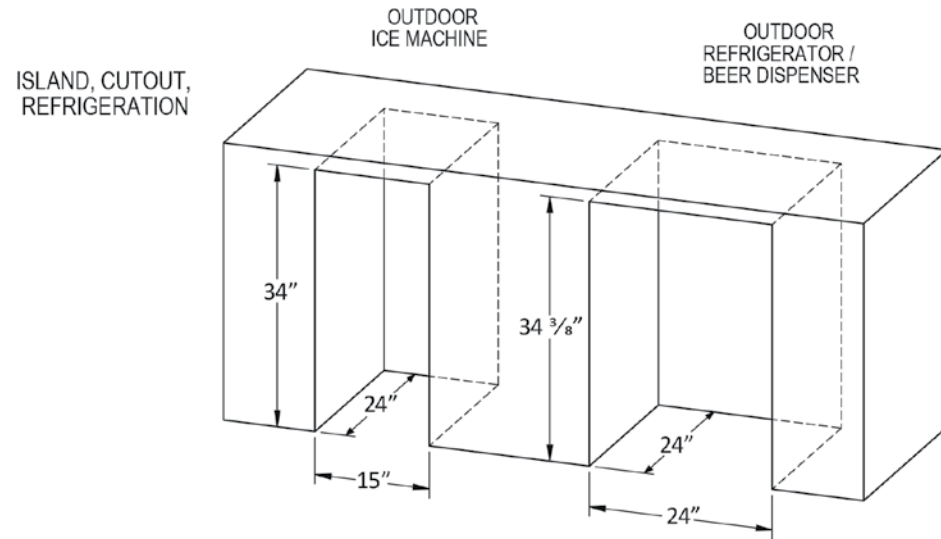
1/2" NPT gas connection. Minimum gas supply is 7" water column for natural gas and 11" for propane. Operating pressure at the manifold is 4" water column for natural gas and 10" for propane. All units require a regulated gas supply. (included)

All Models	Description	Cutout Dimensions			Total Btu's
		W(in.)	D(in.)	H(in.)	
AGPB24-NG / -LP	Power Burner, Built-in, 24"	23-1/4	22-1/2	11-1/8	70,000



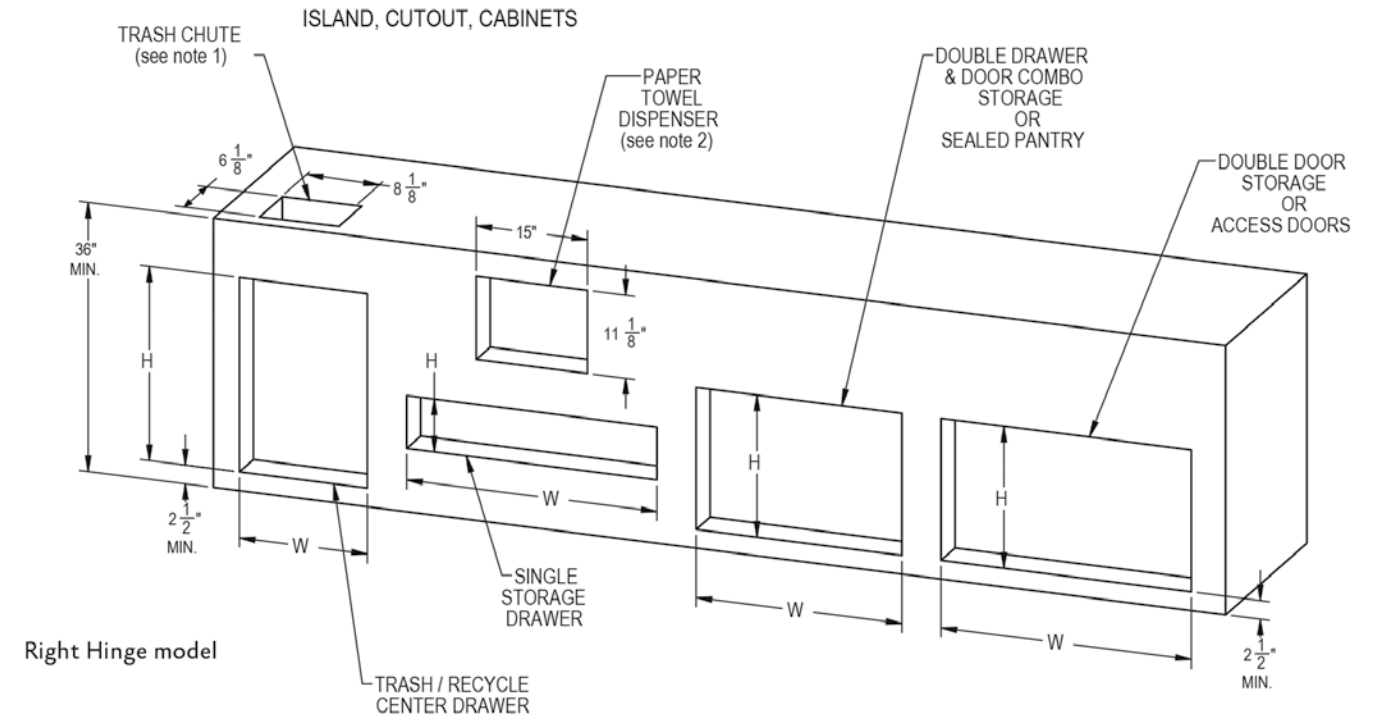
Hestan Commercial Corporation reserves the right to change materials and specifications without notice. Specify type of gas when ordering.

## REFRIGERATION SPECS



NOTE: See outdoor beer dispenser manual for detailed installation information and faucet tower cutout dimensions.

## ACCESS & STORAGE SPECS



### NOTES:

- 1) Trash Chute AGTC cutout depends on type of countertop used. Please refer to installation instructions for details.
- 2) Paper Towel Dispenser AGPTD16 can be installed in 3 different orientations using these cutout dimensions. Please refer to installation instructions for details.

Models	Description	Electrical Requirements
GRS_24	24" Outdoor Refrigerator, Solid Door with Lock	115V, 60Hz., 1 Phase, 2.3 amps
GRR24	24" Outdoor Refrigerator Drawers with Lock	115V, 60Hz., 1 Phase, 2.3 amps
GRFR24	24" Outdoor Refrigerator Drawer and Freezer Drawer with Lock	115V, 60Hz., 1 Phase, 2.3 amps
GRWS_24	24" Outdoor Dual Zone Refrigerator w Wine, Solid Door with Lock	115V, 60Hz., 1 Phase, 2.3 amps
GRWG_24	24" Outdoor Dual Zone Refrigerator w Wine, Glass Door with Lock	115V, 60Hz., 1 Phase, 2.3 amps
GFDS_241	24" Outdoor Single Faucet Beer Dispenser, Solid Door with Lock	115V, 60Hz., 1 Phase, 2.3 amps
GFDS_242	24" Outdoor Double Faucet Beer Dispenser, Solid Door with Lock	115V, 60Hz., 1 Phase, 2.3 amps
GIM_15	15" Outdoor Ice Machine	120V, 60Hz., 1 Phase, 3.8 amps

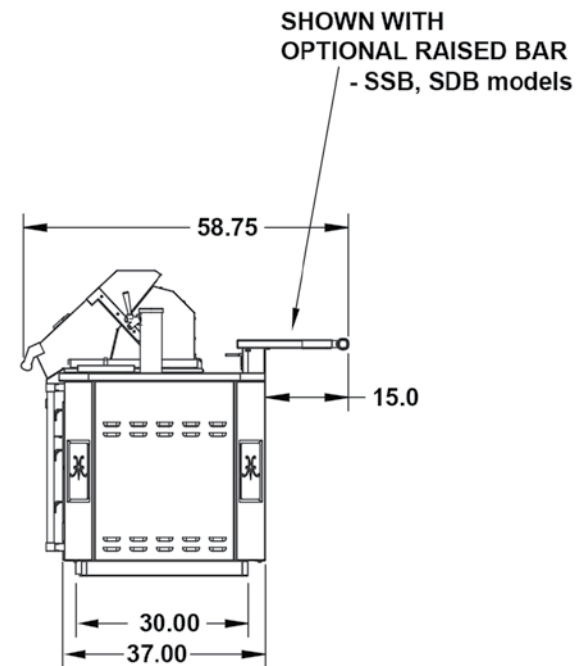
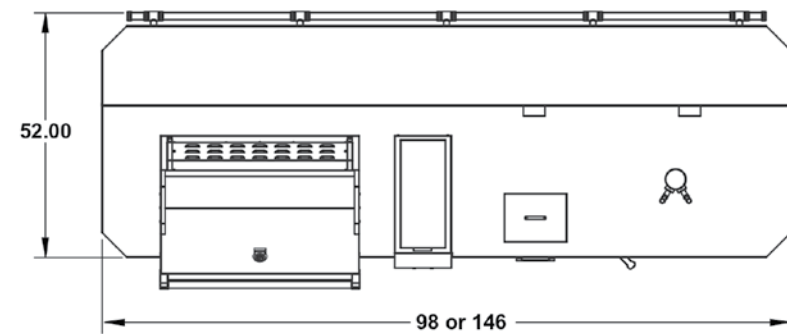
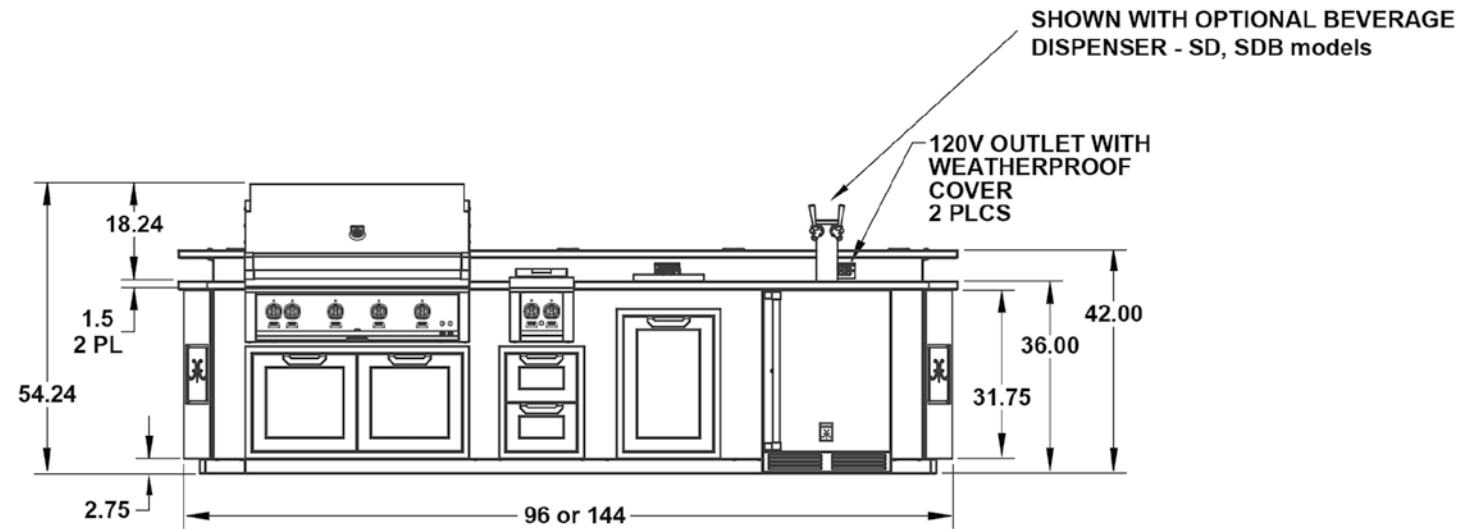
\_ = Specify (L) or (R) for Left or Right Hinge model

Built - In Models	Description	Product Width Options W (in.)	Cutout Dimensions		
			W (in.)	D (in.)	H (in.)
AGAD_xx	Single Access Door , with Marquise accent panel	18" or 24"	15 <sup>-7/8</sup> " or 21 <sup>-7/8</sup> "	n/a	19
AGADxx	Double Access Doors , with Marquise accent panel	30", 36" or 42"	27 <sup>-7/8</sup> ", 33 <sup>-7/8</sup> " or 39 <sup>-7/8</sup> "	n/a	19
AGSDxx	Double Storage Doors , with Marquise accent panel	30", 36" or 42"	27 <sup>-7/8</sup> ", 33 <sup>-7/8</sup> " or 39 <sup>-7/8</sup> "	23 <sup>-3/8</sup>	19
AGSRxx	Single Storage Drawer , all stainless front with Marquise accent handle	30" or 36"	27 <sup>-7/8</sup> " or 33 <sup>-7/8</sup> "	23 <sup>-3/8</sup>	8 <sup>-7/8</sup>
AGDR16	Double Drawers , with Marquise accent panel	16"	13 <sup>-7/8</sup>	23 <sup>-3/8</sup>	19
AGSDRxx	Double Drawer and Storage Door Combination w/ Marquise accent panel	30", 36" or 42"	27 <sup>-7/8</sup> ", 33 <sup>-7/8</sup> " or 39 <sup>-7/8</sup> "	23 <sup>-3/8</sup>	19
AGLP36	Double Sealed Pantry Storage Doors, with Marquise accent panel	36"	33 <sup>-7/8</sup>	23 <sup>-3/8</sup>	19
AGTRC20	Trash and Recycle Center Storage Drawer, with Marquise accent panel	20"	17 <sup>-1/4</sup>	24	26
AGTC	Countertop Trash Chute with Cutting Board and Cover	-	6 <sup>-1/8</sup>	8 <sup>-1/8</sup>	n/a
AGPTD16	Paper Towel Dispenser, with Marquise accent panel	16"	11 <sup>-1/8</sup>	10 <sup>-1/8</sup>	15





## OUTDOOR LIVING SUITE SPECS



### ELECTRICAL REQUIREMENTS :

120V, 60Hz, 20 amp circuit breaker from main service panel

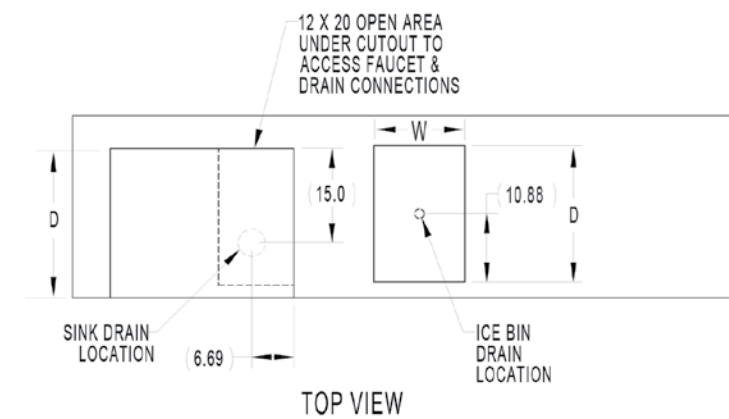
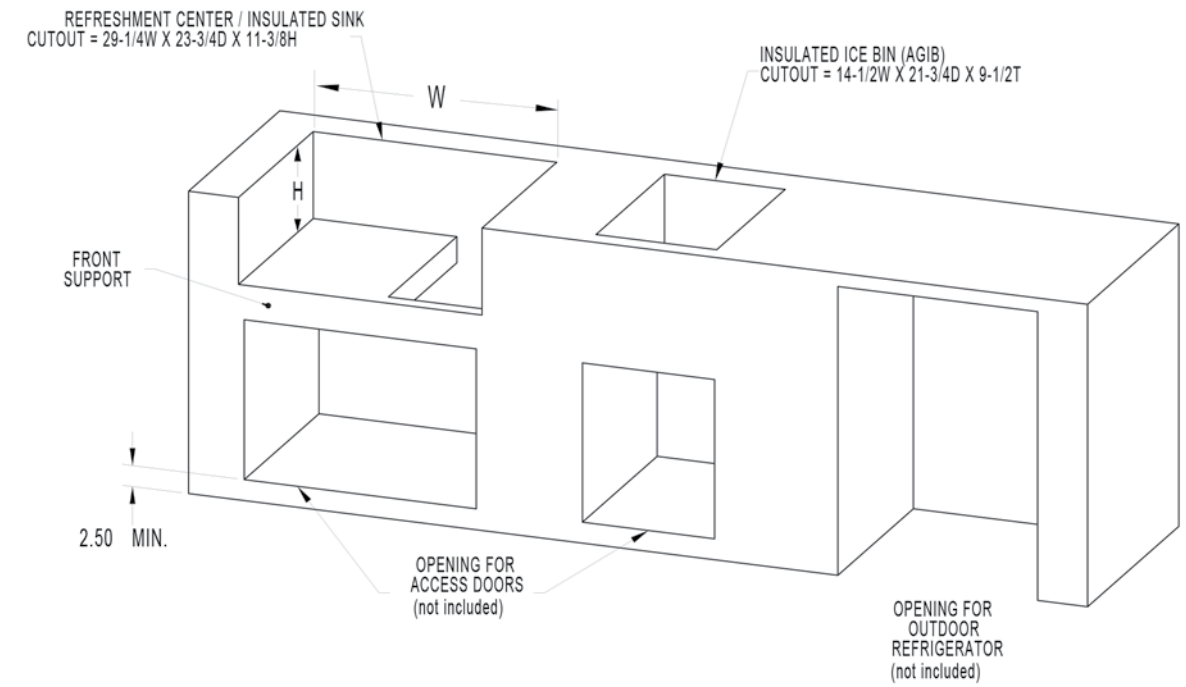
### GAS REQUIREMENTS :

1/2" NPT gas connection. Minimum gas supply is 7" water column for natural gas and 11" for propane. Operating pressure at the manifold is 4" water column for natural gas and 10" for propane. All units require a regulated gas supply. (included)

Built - In Models	Description	Weight (lbs)	Note : Weights are approximate depending with or without tops or elevated bar top. The unit ships in pieces and assembly is required. Appliances not included.
GE ___8	8' Cooking Suite	650	
GE ___12	12' Cooking Suite	940	

S: no top SD: ss top w/ beer dispenser SS: ss top SSB: ss top w/bar SDB: ss top w/bar and beer dispenser SB: no top w/ bar

## REFRESHMENT CENTER SPECS



Accessories	Description / Notes
AGSR	Speed Rail 30" / Included with GRC30 & GRCHS30
AGOF	Faucet, Hot/Cold, Single Handle with Pullout Spray / Included with GRC30 & GRCHS30
AGLED19	Light, LED, Motion Sense, Stick on, Rechargeable with USB Cable

All Models	Description	Cutout Dimensions			Weight
		W(in.)	D(in.)	H(in.)	
GRC 30	Refreshment Center, 30"	29-1/4	24-5/16	12	120
GRCHS30	Refreshment Center, High Shelf, 30"	29-1/4	24-5/16	12	152
GIS 30	Insulated Sink, 30"	29-1/4	24-5/16	12	73
GISHS30	Insulated Sink, High Shelf, 30"	29-1/4	24-5/16	12	96
AGIB	Ice Bin, Insulated Sink, 16"	14-1/2	21-3/4	12	41

Hestan Commercial Corporation reserves the right to change materials and specifications without notice. Specify type of gas when ordering.





 HESTAN

3375

[hestanhome.com](http://hestanhome.com)

888.905.7463

3375 E. La Palma Avenue

Anaheim, CA 92806

