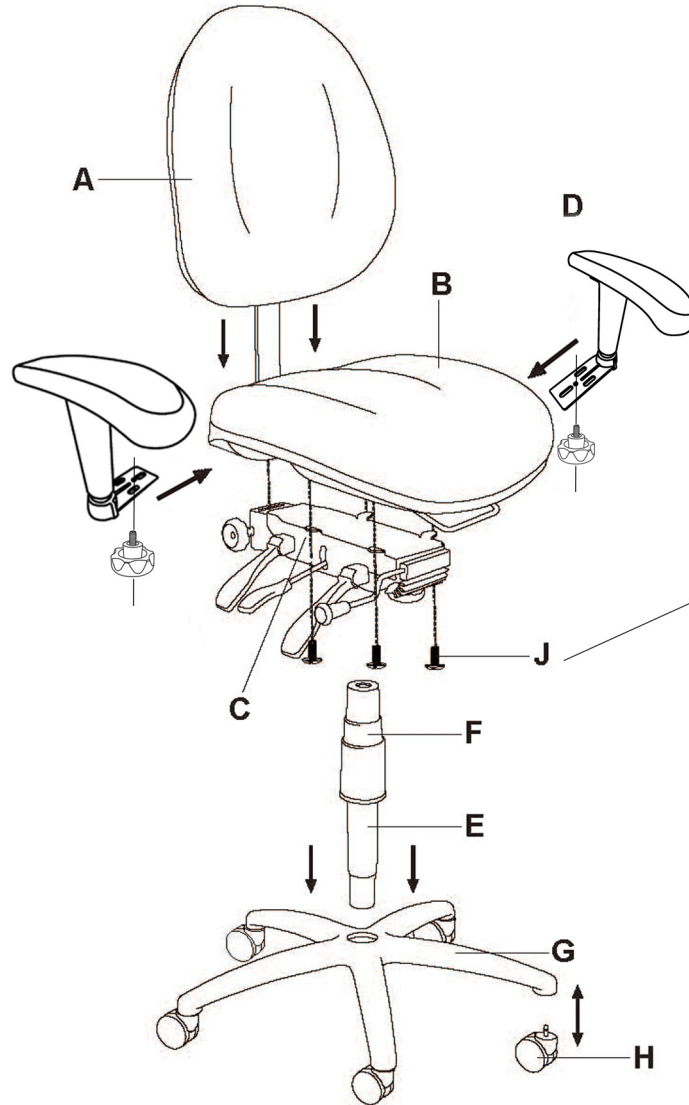
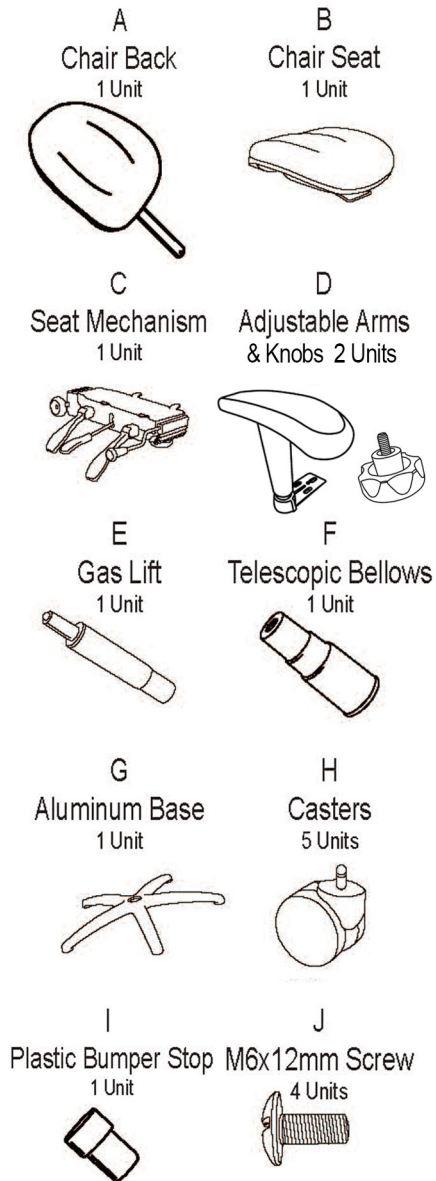


Models: 247TAF/247TAV Big & Tall Chair Instruction Sheet

Parts Listing



WEIGHT CAPACITY: 400 lbs.

Assembly Notes:

During assembly, hand tighten screw only. When all screws are in place, you may then tighten all screws completely.

CAUTION:

1. Do not use this chair as a step ladder.
2. Check for loose screws and tighten them every 6 months.

Assembly Instructions

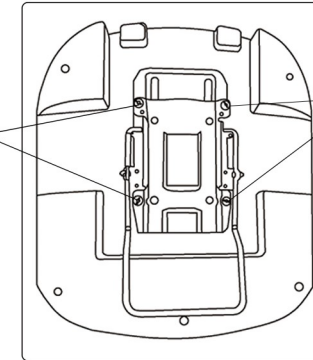


Tools Needed: Phillips Head Screwdriver
Please read all instructions before assembly.

Step 1 : Insert Casters (H) into Aluminum Base (G). Place Gas Lift (E) into the center hole of the Aluminum Base (G) and cover with Bellows (F).

Step 2 : Turn the Seat Cushion upside down on a clean surface. Attach the Seat Mechanism (C) to the Chair Seat (B) using M6 x 12mm Screws (J).

Bottom of Chair Seat (B)



※ Item (J) M6 x 12 mm Screws have been inserted into the slider mechanism of the Chair Seat (B) in advance. This lets the user know the correct position of where to attach the Seat Mechanism (C). Please remove the M6 x 12 mm Screws (J) first. Secondly, attach Seat Mechanism (C) to the Chair Seat (B). Align the screw holes in Seat Mechanism (C) over the slider holes and reinsert the M6 x 12 mm Screws (J) in their original locations. Tighten thoroughly.

Step 3 : Attach the two Armrests (D) by sliding the armrests into the pre-mounted brackets and inserting the two tension Knobs (D).

Step 4 : Place center hole of Seat Mechanism (C) onto Gas Lift (E). Press down firmly on Chair Seat (B) to secure to base.

Step 5 : Insert the bar on Chair Back (A) through the rear slot of the Seat Mechanism (C), and tighten the hand tension knob to to secure.

Step 6 : Place Plastic Bumper Stop (I) into the bottom hole of the bar on the Chair Back (A).

Note: Please see subsequent page for operating instructions.

Missing Parts? Assembly Questions?

Call us at 1-866-816-3822 or email help@regencyof.com for immediate assistance.