

NX60A6311SS

SAMSUNG

Samsung Smart Freestanding Gas Range with 18K BTU Dual Ring Power Burner and Self Clean

6.0 cu. ft. Capacity



Signature Features

Large Oven Capacity

- This large 6.0 cu. ft. oven can fit multiple dishes at one time.

18K BTU Dual Ring Burner

- Boil fast with a dual ring burner that has unbelievable power.

Flexible Cooktop

- This 5-burner cooktop includes 2 power burners and cast iron edge-to-edge grates so you can slide pots and pans across more usable cooktop space. Use the simmer burner to cook your favorite sauces.

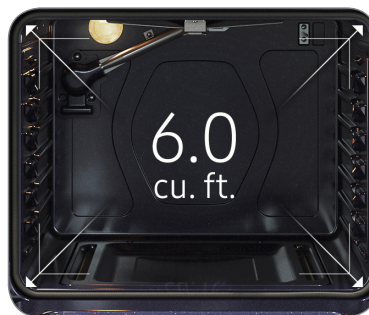
Available Colors



Stainless Steel (shown)



Fingerprint Resistant
Black Stainless Steel



Large Oven Capacity



18K BTU Dual Ring Burner

Features

- Large Oven Capacity – 6.0 cu. ft.
- Integrated, Cast-Iron Griddle
- Extra Oven Settings - Bread Proof, Favorite Cook, Keep Warm
- Edge-to-Edge Grates
- Storage Drawer
- Flexible Cooktop:
Five Burner Cooktop
 - Right Front: 18K BTU Dual Ring
 - Left Front: 12K BTU
 - Right Rear: 5K BTU
 - Left Rear: 9.5K BTU
 - Center (Oval): 10K BTU

Convenience

- Wi-Fi Connectivity
- Voice-Enabled
- SmartThings Cooking
- Self Clean
- Sabbath Mode
- Child Safety Lock
- Delay Start
- Auto Oven Light
- Kitchen Timer



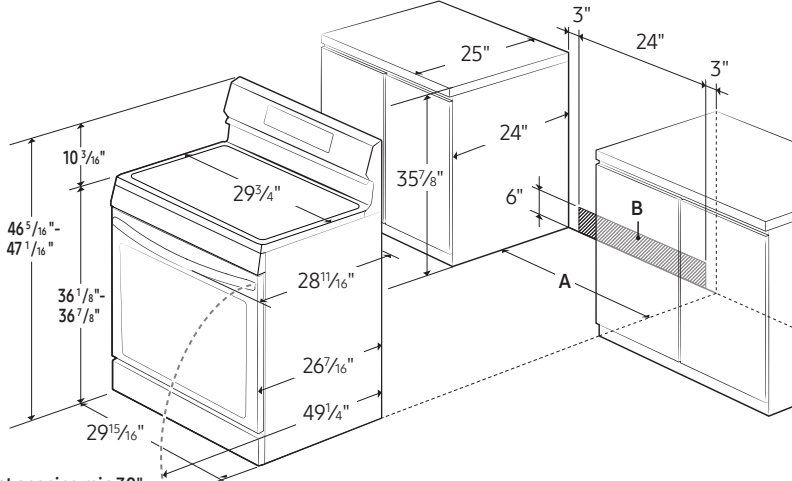
NX60A6311SS

SAMSUNG

Samsung Smart Freestanding Gas Range with 18K BTU Dual Ring Power Burner and Self Clean

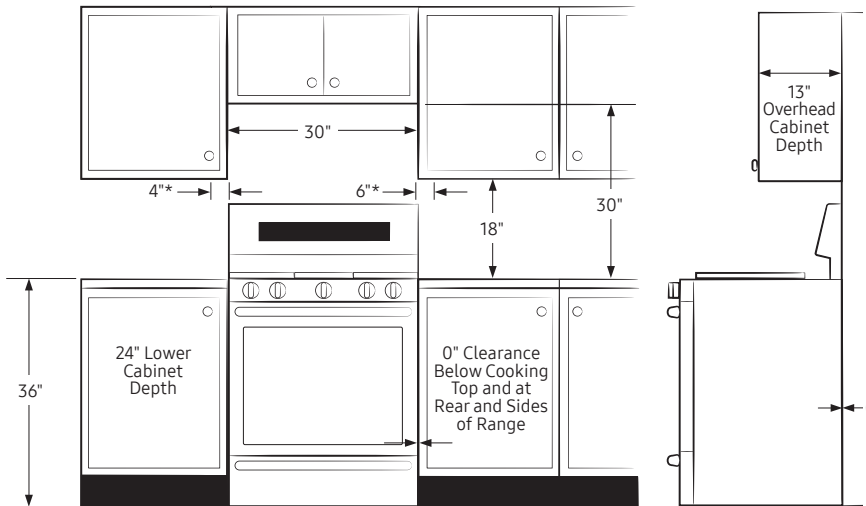
6.0 cu. ft. Capacity

Installing Your Range



A: Cabinet opening min 30"
B: Acceptable electrical outlet area

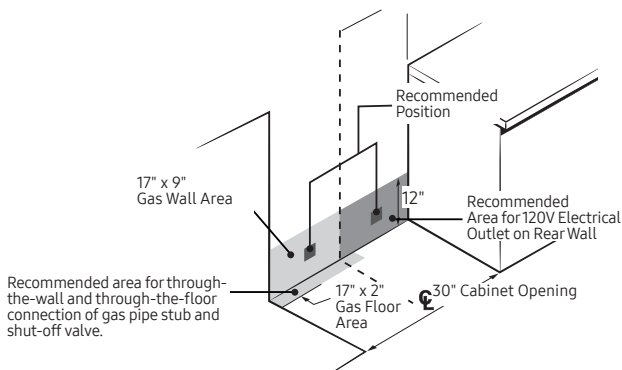
IMPORTANT: If your cabinets are over 36 3/4" high, you must install this range on a hard, heat-resistant support that raises the surface of the range so that it is about even with the countertop.



* Side clearance above cooking surface to any objects, i.e., wall.

IMPORTANT: Consult with Installation Manual for detailed instructions before installing.
All ranges must be installed with the Anti-Tip device that is included.

Recommended Locations for Gas Piping and Electrical Outlets



Power Source

120V/60 Hz/20A

Total Power (BTU)

54,500 BTU

5-Burner Cooktop

- Right Front: 18K BTU, Dual Ring
- Left Front: 12K BTU
- Right Rear: 5K BTU
- Left Rear: 9.5K BTU
- Center (Oval): 10K BTU

Oven

- Capacity: 6.0 cu. ft.
- Bake
- Variable Broil: Low/High
- Bread Proof

Warranty

One (1) Year Parts and Labor

Product Dimensions & Weight (WxHxD)

Oven Interior Dimensions:

24¹³/₁₆" x 21⁵/₈" x 19⁵/₈"

Outside Net Dimensions:

29¹⁵/₁₆" x 46⁵/₁₆"-47¹/₁₆" (Adjustable) x 28¹¹/₁₆"

Weight: 178 lbs

Shipping Dimensions & Weight (WxHxD)

Dimensions:

33¹/₁₆" x 50⁹/₁₆" x 30⁵/₁₆"

Weight: 201 lbs

Color

Stainless Steel

Model

NX60A6311SS

UPC Code

887276509556

Fingerprint Resistant

Black Stainless Steel

NX60A6311SG

887276509549



Actual color may vary. Design, specifications, and color availability are subject to change without notice. Non-metric weights and measurements are approximate.

©2021 Samsung Electronics America, Inc. 85 Challenger Road, Ridgefield Park, NJ 07660. Tel: 800-SAMSUNG. samsung.com. Samsung is a registered trademark of Samsung Electronics Co. Ltd.