

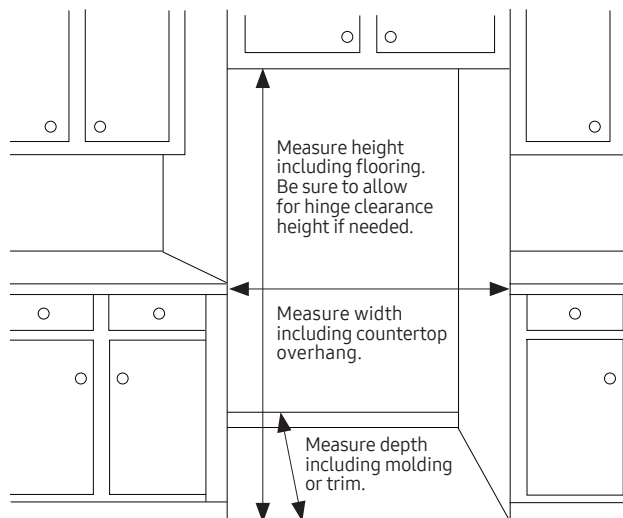
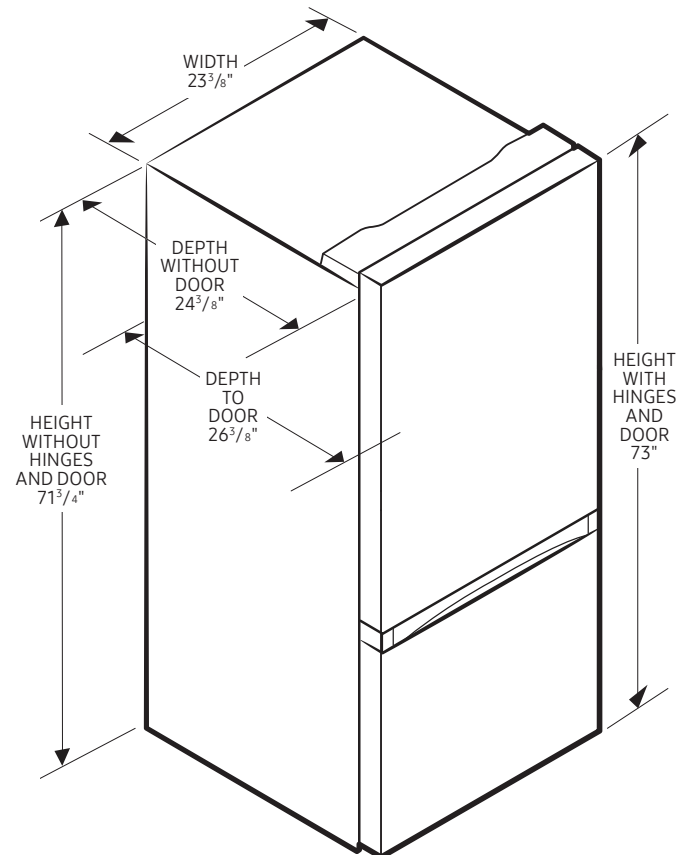
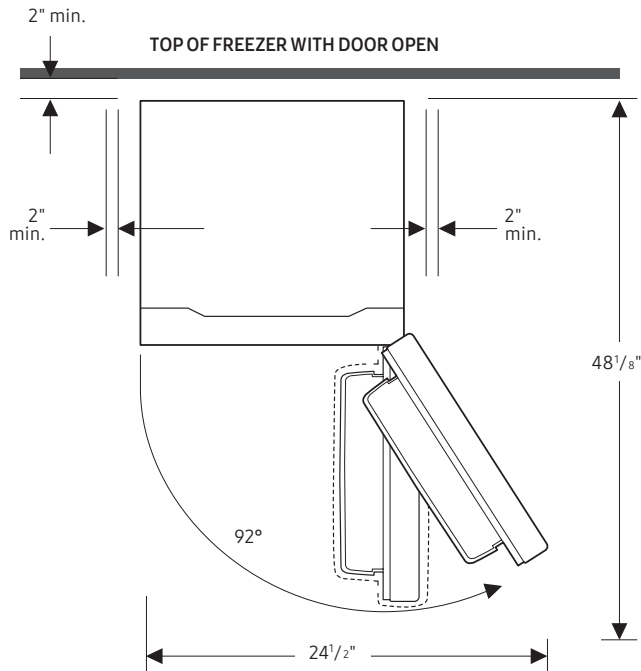
12 cu. ft. BESPOKE Bottom Freezer

SAMSUNG

MODEL RB12A3006

Be sure your new freezer will fit

Don't wait until delivery to be sure your new freezer will fit – throughout your kitchen, garage and all doorways. This guide includes all pertinent measurements and clearances so you can buy with confidence.



Installation clearances

- ✓ Allow 2" minimum clearance at rear for proper air circulation and water/electrical connections.
- ✓ Allow a 3/8" minimum clearance at sides and top for ease of installation.

For optimal usage and ability to open freezer door completely, do not install next to a wall.

Please note: The above dimension and cutout information is for planning purposes only. For complete installation details, consult manual packed with product or download manual online at samsung.com.

Walk the delivery route

- ✓ Identify the narrowest opening that the appliance will travel, from outside the home to the location where it will be installed.
- ✓ Appliance depth or width must be smaller than the width of the narrowest opening.