

# ACTIVESMART™ REFRIGERATORS

Ice & Water and Non-Ice & Water models

NZ AU GB AE HK SG IE US CA

## Installing your new refrigerator into your home

### IMPORTANT!

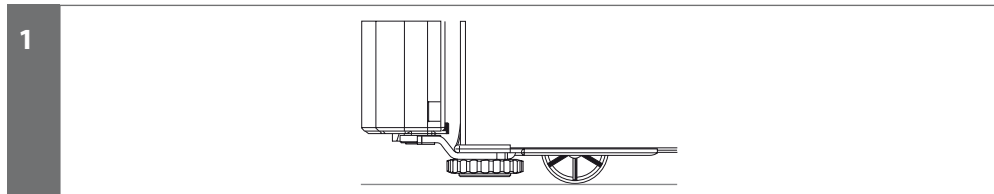
Correct installation of this refrigerator in your home is critical to its performance.

Your Fisher & Paykel Active Smart™ refrigerator is fitted with front and rear rollers, designed for moving the product in the forwards and backwards direction.

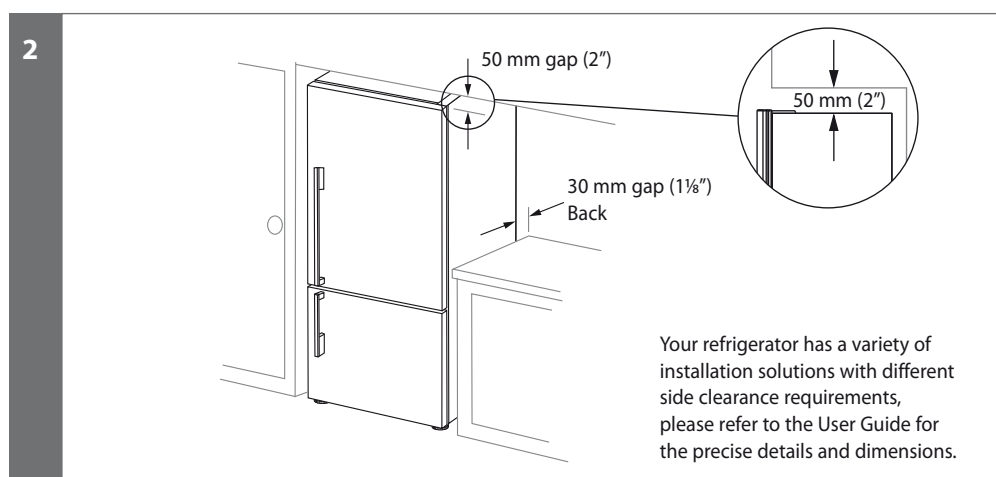
**Avoid** moving the product in a sideways direction as this may damage the rollers or the floor covering/surface.

**Ensure** all packaging has been removed from the front, back and sides of the product.

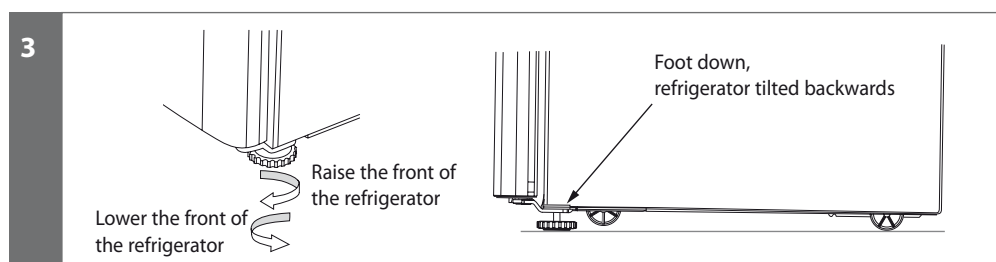
- 1 Your refrigerator will arrive with the front feet wound up** making moving the product into its final location a simple task.



- 2 Roll the refrigerator into its final position** making sure there is the correct air gap between the product and surrounding cabinetry.



- 3 Adjust the front feet down** until the refrigerator is leaning backward approx 10 mm. This will ensure a good door closing action.

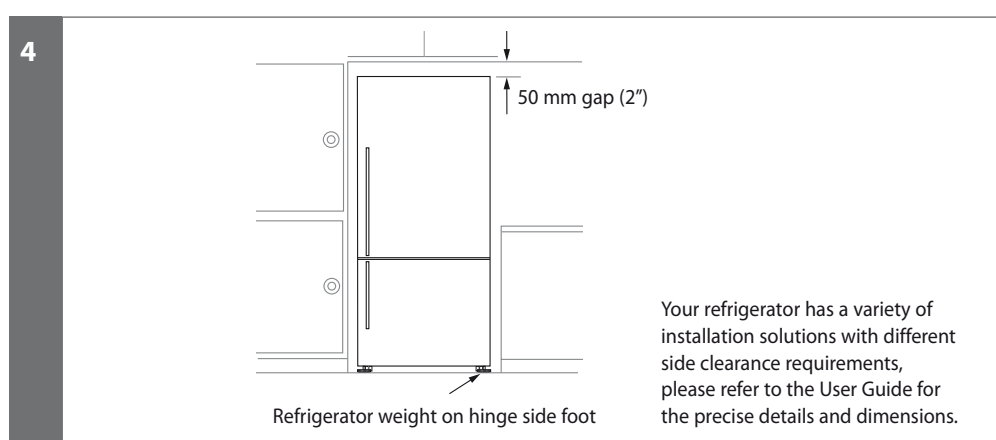


- 4 Aligning your refrigerator with cabinetry.**

- Align the sides of the refrigerator with the cabinetry by adjusting the hinge side front foot.
- Adjust the handle side foot until it touches the floor and takes a small amount of weight.
- Once the refrigerator is in place and aligned with cupboards/alcove push gently on the front top and check if the product is rocking or stable.

**If the product is rocking there may be an uneven floor or slightly out of square construction of cabinetry. (See "What to do if your new refrigerator is unstable when installed.")**

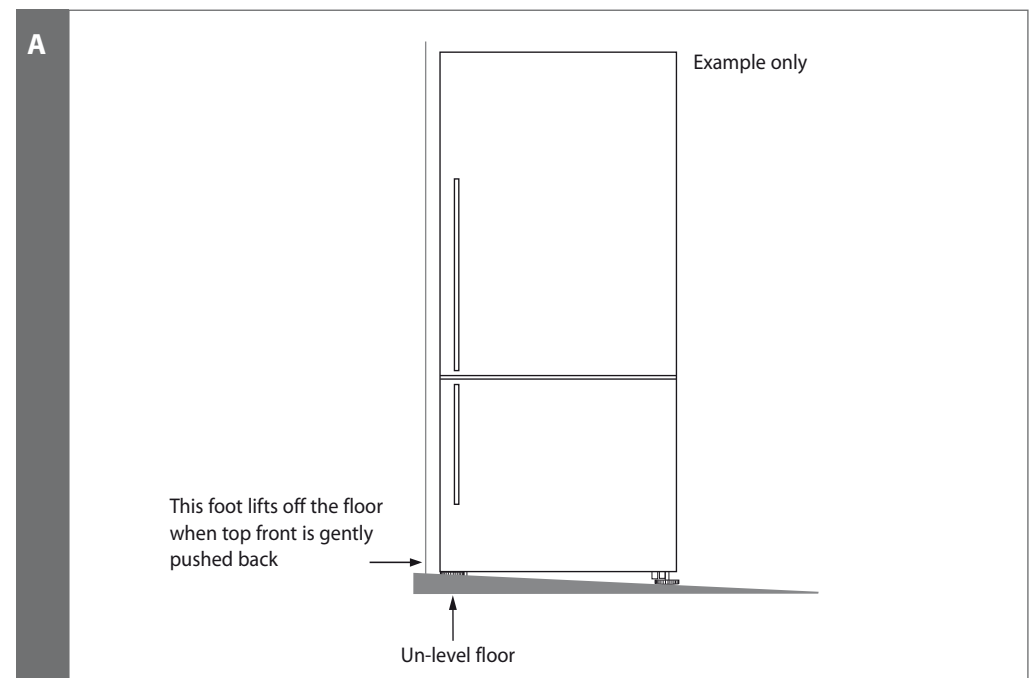
Align the sides of the refrigerator with the cabinetry by adjusting the hinge side front foot (for RF610A, RF540A, RF201A models use right hand foot first then the left hand side foot to align refrigerator with cabinetry).



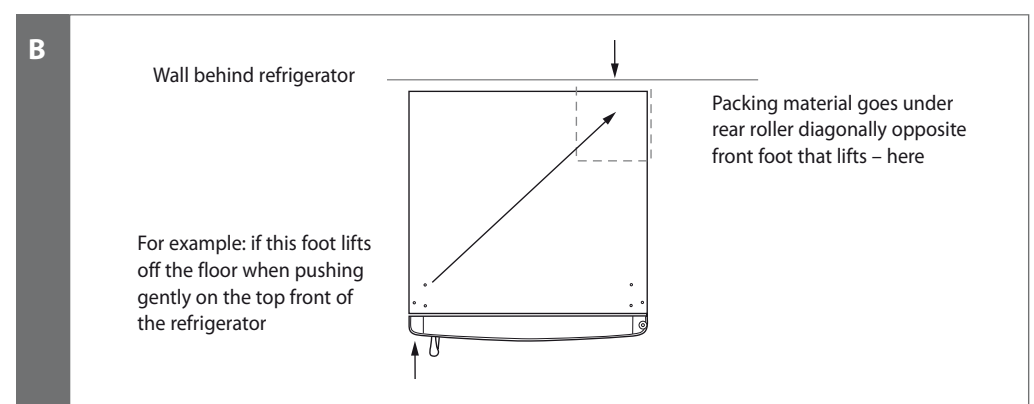
## What to do if your new refrigerator is unstable when installed

- A Gently push the refrigerator back** until the rear rollers contact floor.
  - Measure the gap under the front foot, which has come off the floor.
  - Obtain some solid packing material (hardwood, plastic etc) which fits firmly into the gap under the foot.

**Note:** Do not use metallic materials that may corrode and stain or damage floor coverings.



- B Wind both front feet up** and roll the product out of position.
  - Place the packing material in the location diagonally opposite the front roller that lifts off the floor.
  - Make sure the packing material stays in place when the product is pushed back into position.
  - Ideally, the packing material is large enough to rest against the back wall so as to prevent it moving when the cabinet is pushed into position.

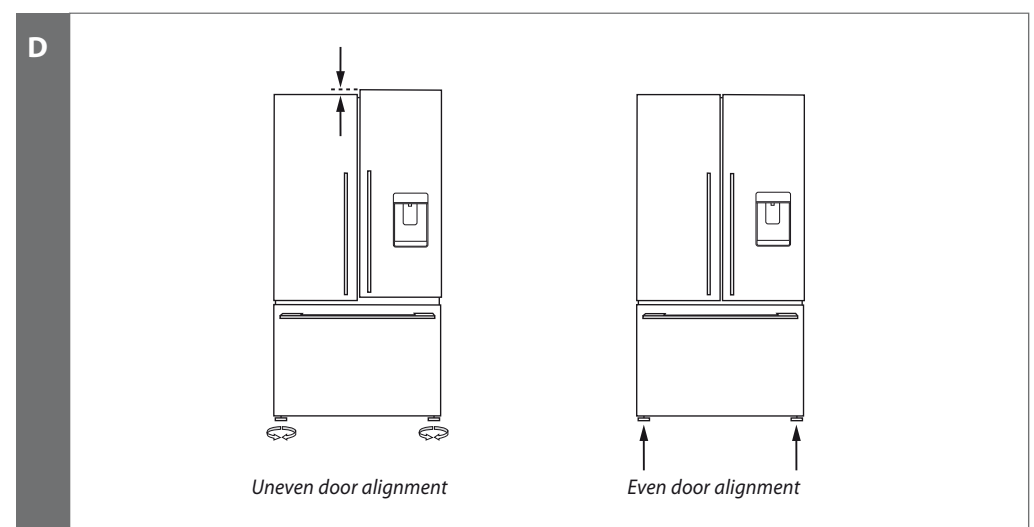


- C Roll the refrigerator back into position** and adjust front feet as per step 4. (Check alignment and door closing action are satisfactory).

- Make small adjustments to front feet where necessary.
- Check that the product is stable (all 4 feet are on the floor). If not return to step A and re-do steps B and C.

- D Levelling of refrigerator door (RF610A, RF540A, RF522A, RF201A only)**

- For uneven surfaces, front feet can be used to align the 2 doors.
- If left hand door is too low, then unscrew the left hand foot to lift up cabinet until top edges of the two doors are aligned.
- If right hand door is lower, then process the same way with right hand foot.



If you need assistance with the installation of your refrigerator please call your Fisher & Paykel Customer Care Centre. A Customer Care operator will provide expert guidance and if necessary can organise a Service Technician visit ensuring the correct installation is achieved. (A service fee will be charged).

Incorrect installation may result in the product twisting which will give the appearance of doors and handles being out of alignment. Please ensure that your refrigerator has been correctly installed as per the above instructions, as product issues brought about by poor installation are not covered under product warranty. Refer product warranty guidelines covered in the User Guide.

Australia	Ph: 1 300 650 590
New Zealand	Ph: 0800 37 2273
Canada and USA	Ph: 1.888.936.7872
Singapore	Ph: 6741 0777
UK	Ph: 0845 066 2200
Ireland	Ph: 1800 625 174