



*ASSEMBLY INSTRUCTIONS
COASTER FINE FURNITURE*



Fine Furniture for every stage of life

106628
Counter Height Dining Table

ITEM: 106628



ASSEMBLY INSTRUCTIONS

ASSEMBLY TIPS:

1. Remove hardware from box and sort by size.
2. Please check to see that all hardware and parts are present prior to start of assembly.
3. Please follow attached instructions in the same sequence as numbered to assure fast & easy assembly.



WARNING!









1. Don't attempt to repair or modify parts that are broken or defective. Please contact the store immediately.
2. This product is for home use only and not intended for commercial establishments.





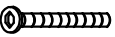


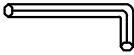

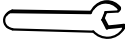

ASSEMBLY TIME

15 MINUTES

PARTS IDENTIFICATION

A	SIDE PANEL WITH EXTRA CLEAT		1PC	E	LEAF		1PC
B	SIDE PANEL		2PCS	F	LEG		4PCS
C	DOOR PANEL		1PC	G	TOP PANEL		1PC
D	TOP		1PC	H	BOTTOM PANEL		1PC

HARDWARE IDENTIFICATION

1	HEX NUT (Ø5/16" x 1/2" - RBW)		4PCS	6	FLAT HEAD SCREW (Ø3.5 x 1/2" - RBW)		4PCS
2	BOLT (Ø1/4" x 1-3/16" - RBW)		14PCS	7	DOOR HINGE (120mm - RBW)		1PC
3	LOCK WASHER (Ø5/16" - RBW)		18PCS	8	ALLEN WRENCH (M4 x 59mm - RBW)		1PC
4	SMALL FLAT WASHER (Ø1/4" x 16mm - RBW)		14PCS	9	WRENCH (M4 x 50mm - RBW)		1PC
5	BIG FLAT WASHER (Ø5/16" x 22mm - RBW)		4PCS				

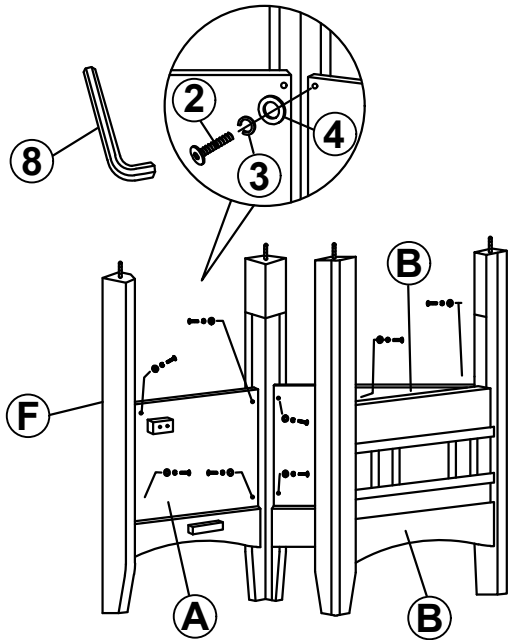
NOTE:

Phillips head screw driver is required in the assembly process; however, manufacturer does not provide this item.

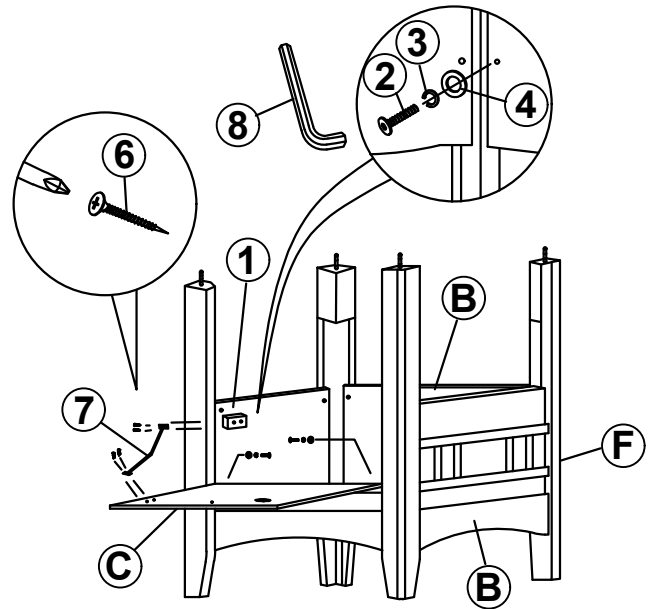
ITEM: **106628**
ASSEMBLY INSTRUCTIONS



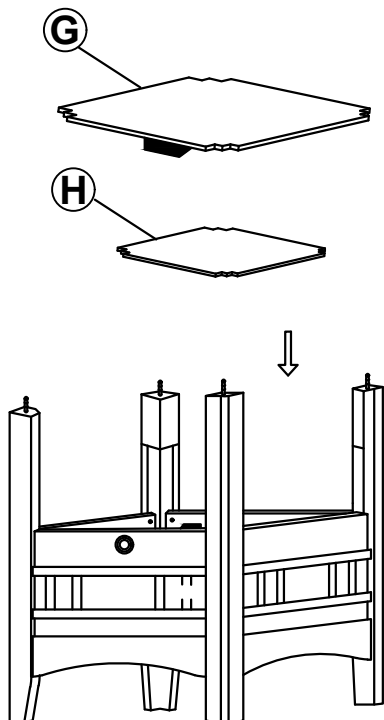
STEP 1



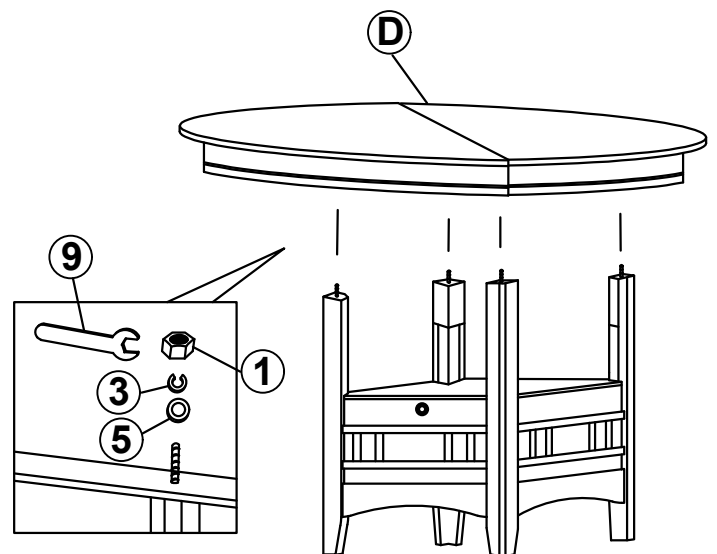
STEP 2



STEP 3



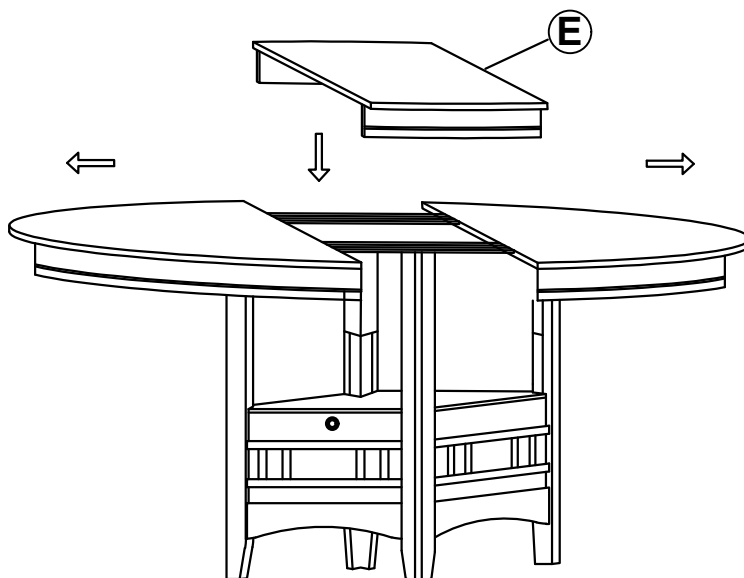
STEP 4



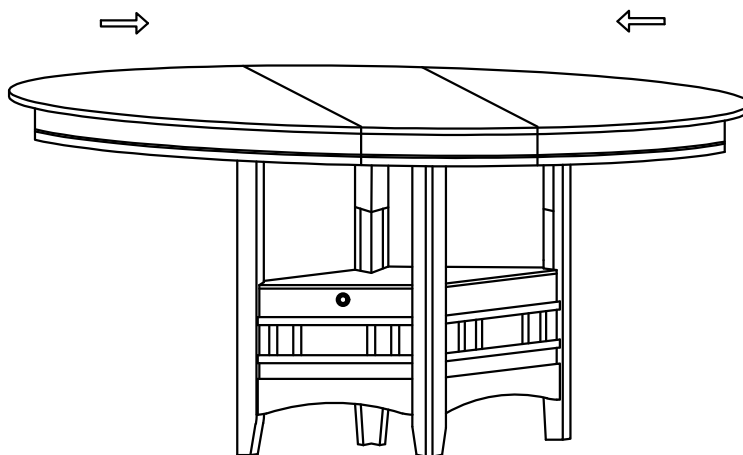
ITEM: **106628**
ASSEMBLY INSTRUCTIONS



STEP 5



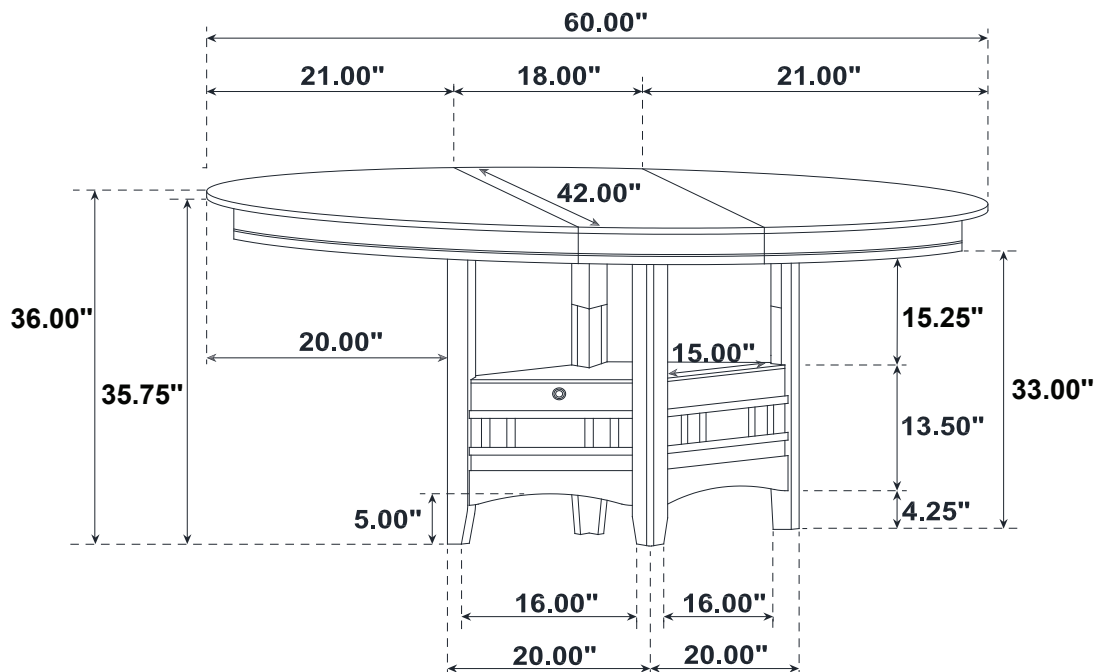
STEP 6
COMPLETE



ITEM: **106628**



Inner Size of Compartment : 15.00"W x 15.00"D x 9.00"H



Note: Dimension tolerance $\pm 5\%$



ASSEMBLY INSTRUCTIONS
COASTER FINE FURNITURE



Fine Furniture for every stage of life

106629
Counter Chair

ITEM: **106629**



ASSEMBLY INSTRUCTIONS

ASSEMBLY TIPS:

1. Remove hardware from box and sort by size.
2. Please check to see that all hardware and parts are present prior to start of assembly.
3. Please follow attached instructions in the same sequence as numbered to assure fast & easy assembly.



WARNING!








1. Don't attempt to repair or modify parts that are broken or defective. Please contact the store immediately.
2. This product is for home use only and not intended for commercial establishments.








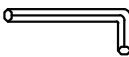

ASSEMBLY TIME

15 MINUTES

PARTS IDENTIFICATION

A	BACK FRAME		1PC	E	LEFT FRONT LEG		1PC
B	SEAT CUSHION WITH FRAME		1PC	F	RIGHT FRONT LEG		1PC
C	LEFT SIDE STRETCHER		1PC	G	FRONT STRETCHER		1PC
D	RIGHT SIDE STRETCHER		1PC				

HARDWARE IDENTIFICATION

1	LONG BOLT (Ø1/4" x 3" - RBW)		4PCS	5	FLAT WASHER (Ø5/16" - RBW)		9PCS
2	MEDIUM BOLT (Ø1/4" x 2-3/8" - RBW)		4PCS	6	FLAT HEAD SCREW (Ø4 x 40mm - RBW)		6PCS
3	SHORT BOLT (Ø1/4" x 1-3/8" - RBW)		1PC	7	ALLEN WRENCH (M4 x 59mm - RBW)		1PC
4	LOCK WASHER (Ø5/16" - RBW)		9PCS				

NOTE:

Quantities shown are for one chair.

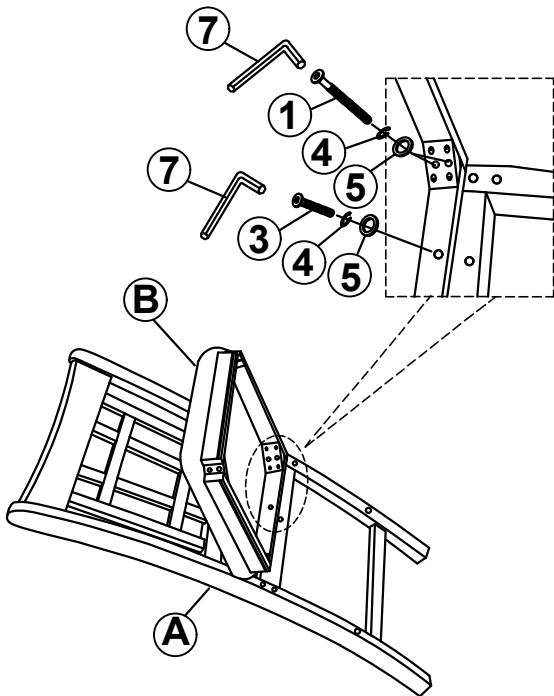
Phillips head screw driver is required in the assembly process; however, manufacturer does not provide this item.

ITEM: **106629**

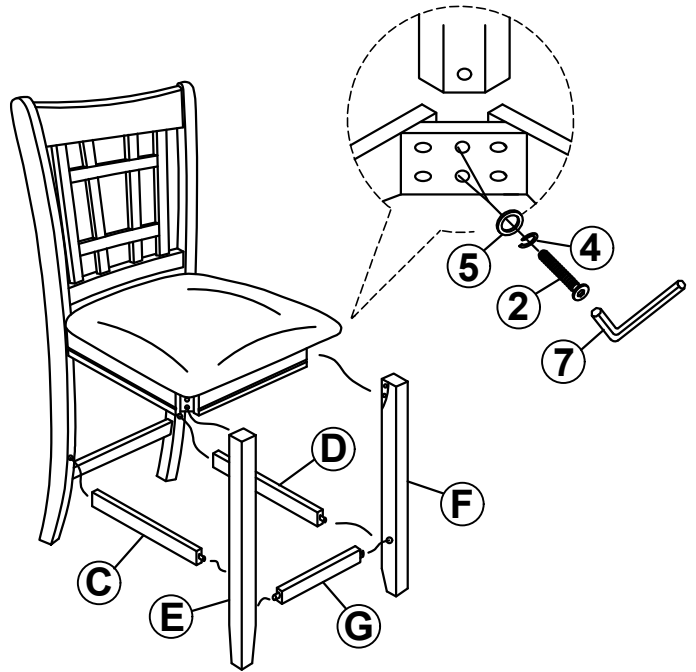


ASSEMBLY INSTRUCTIONS

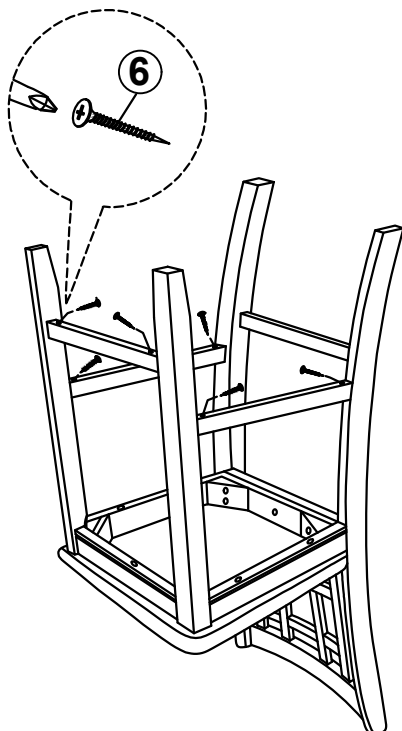
STEP 1



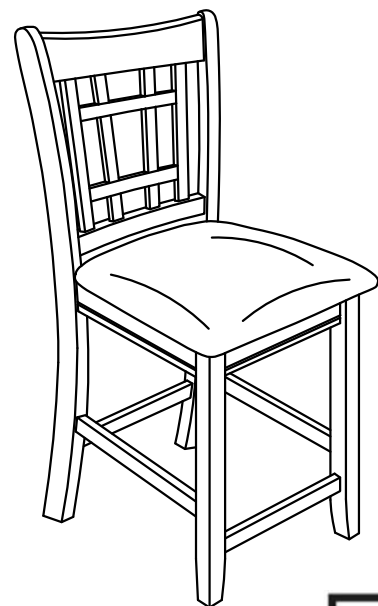
STEP 2



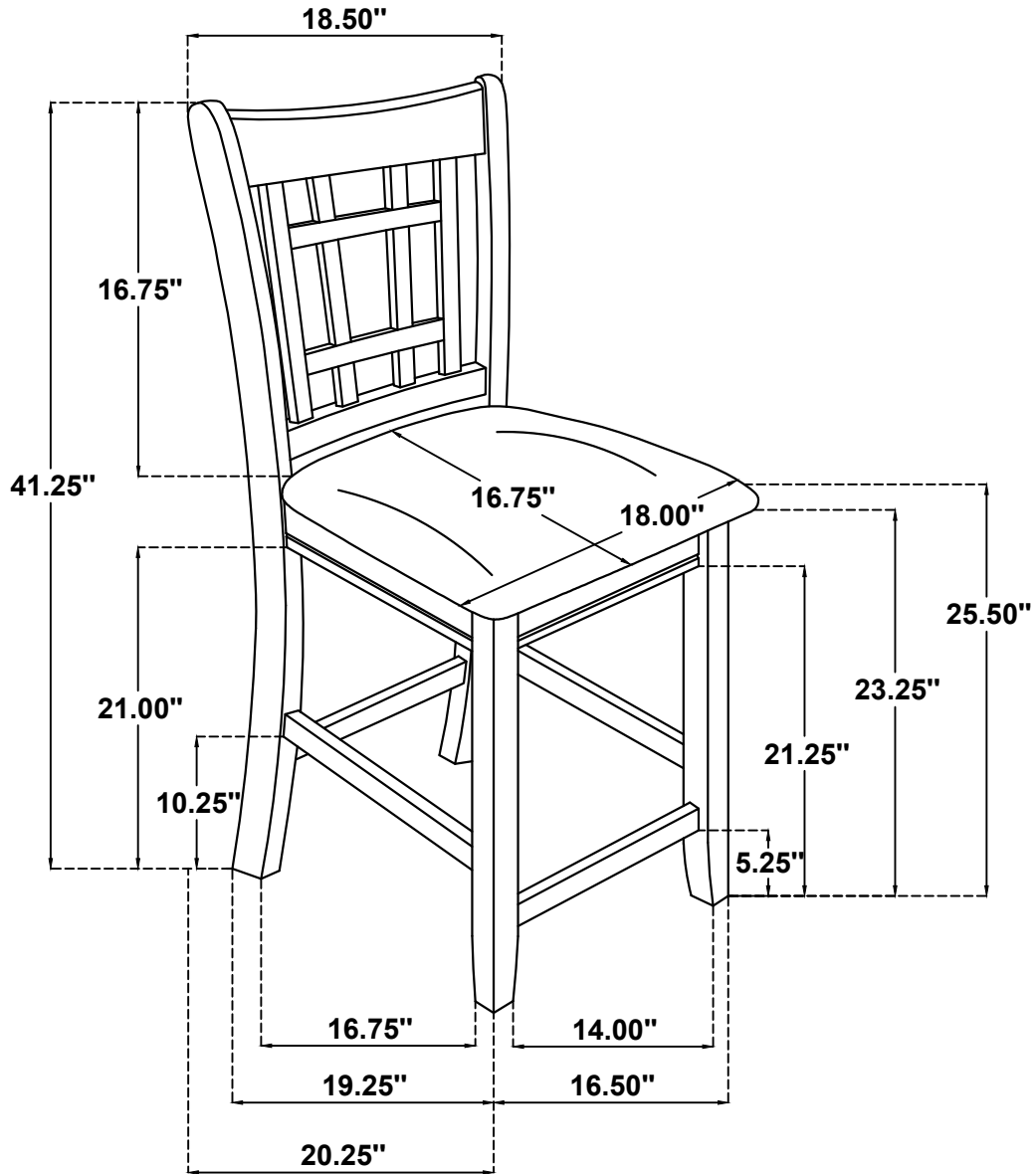
STEP 3



STEP 4 **COMPLETE**



ITEM: 106629



Note: Dimension tolerance $\pm 5\%$