

ASSEMBLY INSTRUCTIONS

3 Drawer Chest

MOD-7230 / V0.07.05.25

modway



Questions? Contact us!

609.256.9000

cs@modway.com

Welcome. Let's get started.

Before you begin, here are some things to keep in mind:

Assembly will take most people **about 60 minutes**. Consider having a friend help you!

Only use hand tools to assemble this item. Do not use power tools. Do not tighten bolts or screws completely until all hardware is lined up and inserted into the holes.

Read through all of the instructions before starting. Make sure you have all parts and components before discarding any packing materials.

Do not over-tighten screws and bolts to avoid stripping the hardware or cracking the item.

Assemble your item on a flat, carpeted area, with plenty of space to work. This will prevent damage and scratches to your floors or the item while you're assembling the product.

Keep all components and packaging out of reach of children or animals to avoid risk of choking or suffocation.

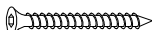

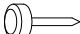
Care instructions are listed in the last step of this manual.

WAIT!

Missing parts or hardware? Need assistance?
Contact us before returning your item.
We're here to help!



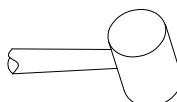
HARDWARE INCLUDED IN THE BOX:

A		Screw M6 x 9 mm	x18
B		Screw M6 x 40 mm	x20
C		Wood Dowel Ø6 x 20mm	x12
D		Wood Dowel Ø8 x 25mm	x24
E		Wood Dowel Ø8 x 50mm	x3
F		Cam Bolt 20 x 5 mm	x32
G		Cam Lock 15/12	x14
H		Cam Lock 15/10	x18
J1		Push Open Drawer Slide CR (300mm)	x3
J2		Push Open Drawer Slide CL (300mm)	x3
K		Plastic Leg Stud	x4
L		Allen Key	x1
		Tipping Restraint Kit	x1

WHAT YOU NEED:



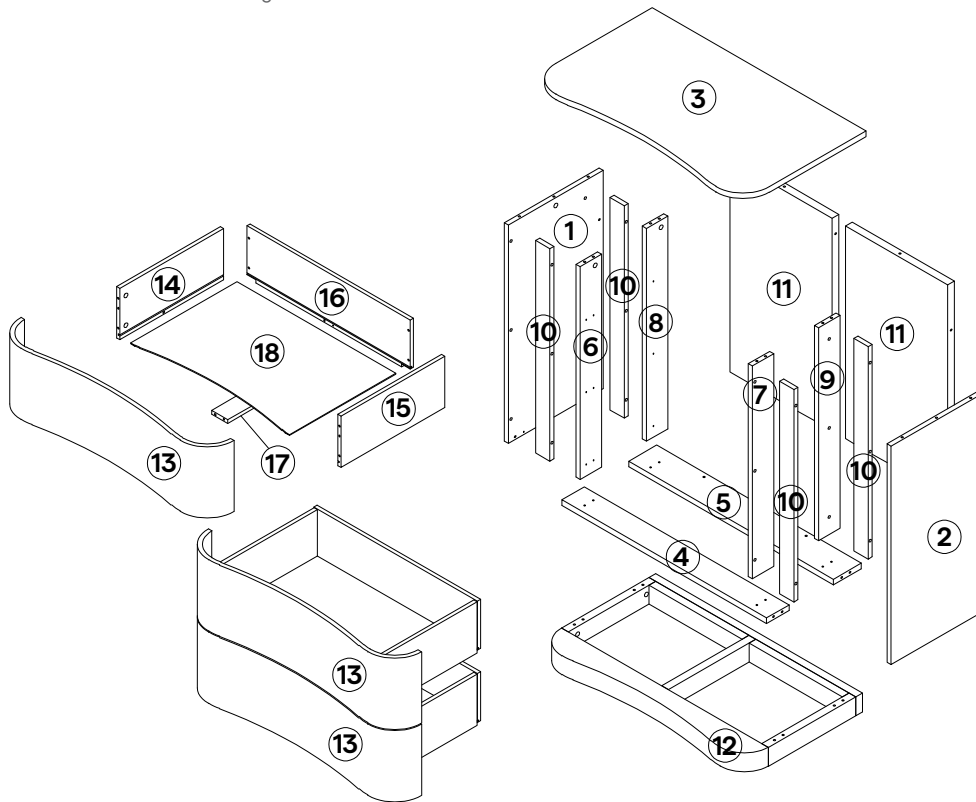
Phillips Head Screwdriver



Mallet

FURNITURE COMPONENTS INCLUDED IN THE BOX:

All parts are numbered with a sticker according to this list.



1	Left Side Panel	x1	7	Right Side Support Panel	x1	13	Front Drawer	x3
2	Right Side Panel	x1	8	Left Side Rail Panel	x1	14	Left Drawer Side	x3
3	Top Panel	x1	9	Right Side Rail Panel	x1	15	Right Drawer Side	x3
4	Front Rail Panel Bottom	x1	10	Front Panel	x4	16	Drawer Back	x3
5	Back Rail Panel Bottom	x1	11	Back Panel	x2	17	Drawer Support	x3
6	Left Side Support Panel	x1	12	Bottom Frame	x1	18	Drawer Bottom	x3

HARDWARE

D Wood Dowel Ø8 x 25 mm x10

F Cam Bolt 20 x 5 mm x8

COMPONENTS

1 Left Side Panel x1

2 Right Side Panel x1

4 Front Rail Panel Bottom x1

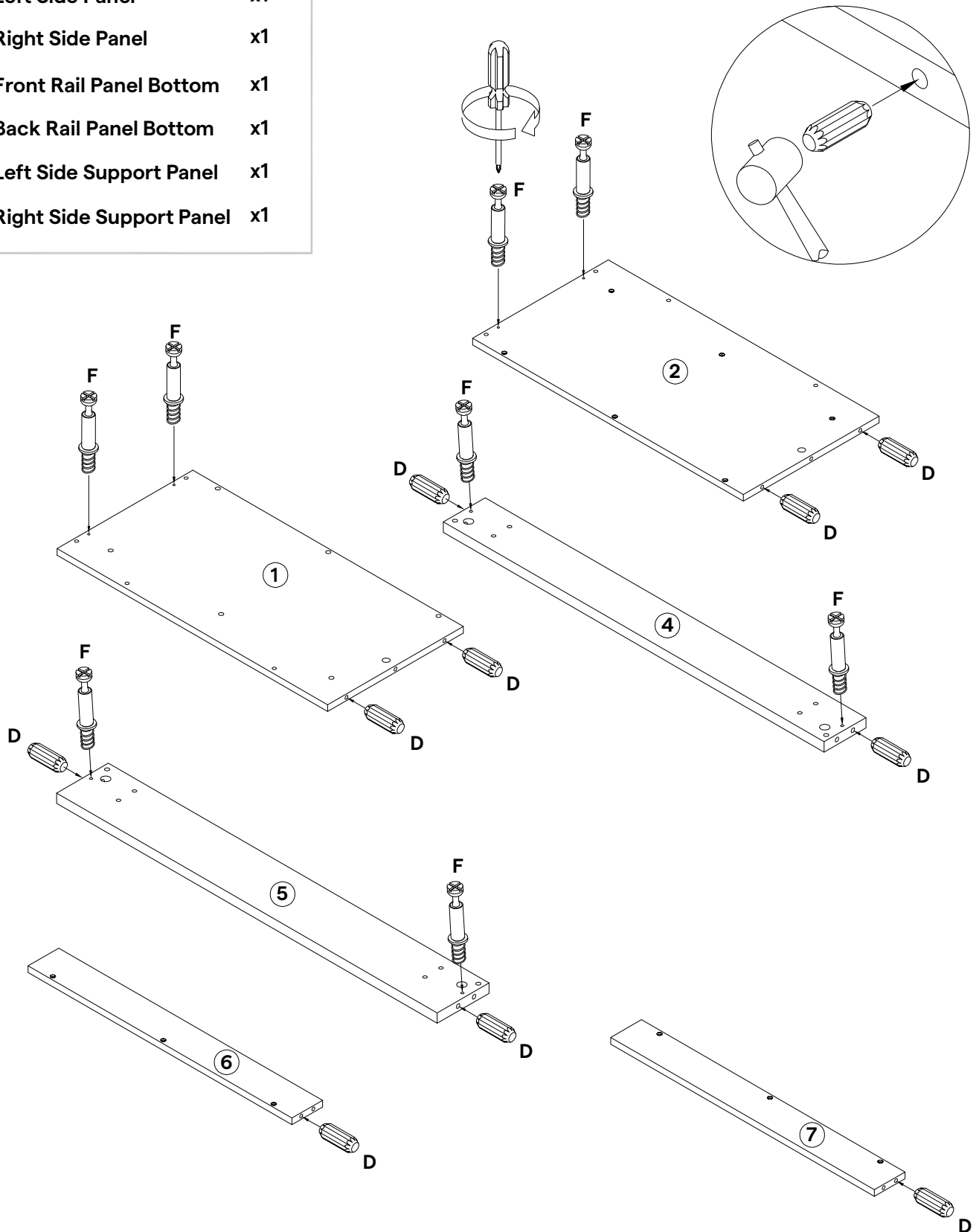
5 Back Rail Panel Bottom x1

6 Left Side Support Panel x1

7 Right Side Support Panel x1

1.1 Insert **Wood Dowel (D)** into the innermost pre-drilled holes on top edge of **Left Side Panel (1)**, **Right Side Panel (2)**, left and right edge of **Front Rail Panel Bottom (4)**, **Back Rail Panel Bottom (5)** and top edge of **Left Side Support Panel (6)** and **Right Side Support Panel (7)**.

1.2 Insert **Cam Bolt (F)** into the innermost pre-drilled holes on the right side of **Left Side Panel (1)**, left side of **Right Side Panel (2)**, bottom side of **Front Rail Panel Bottom (4)** and **Back Rail Panel Bottom (5)**.



HARDWARE

D Wood Dowel Ø8 x 25 mm x10

E Wood Dowel Ø8 x 50 mm x3

COMPONENTS

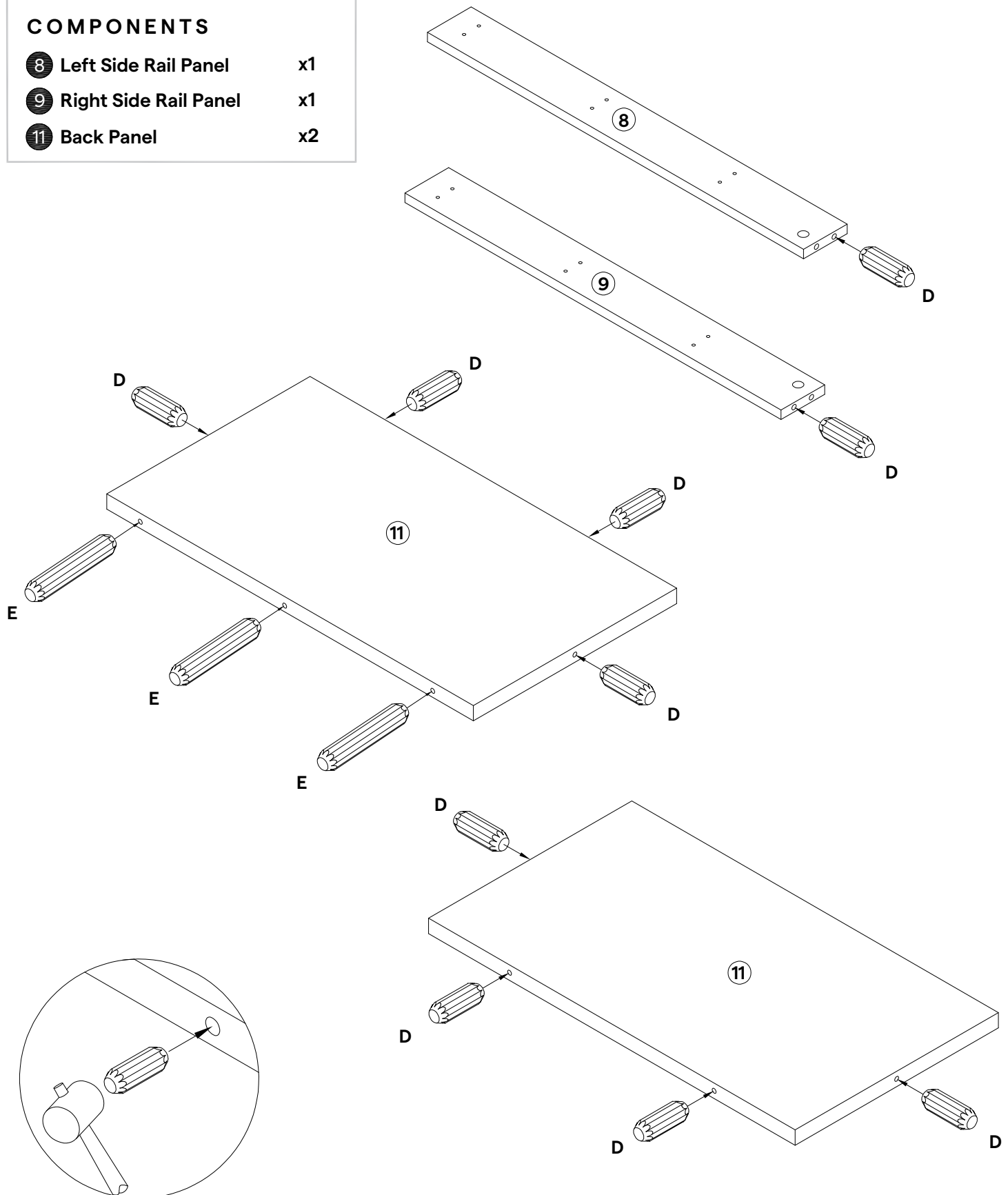
8 Left Side Rail Panel x1

9 Right Side Rail Panel x1

11 Back Panel x2

2.1 Insert **Wood Dowel (D)** into innermost pre-drilled holes on the left edge, right edge and top edge of **Back Panel (11)**.

2.2 Insert **Wood Dowel (E)** into innermost pre-drilled holes on the left edge of the **Back Panel (11)**.



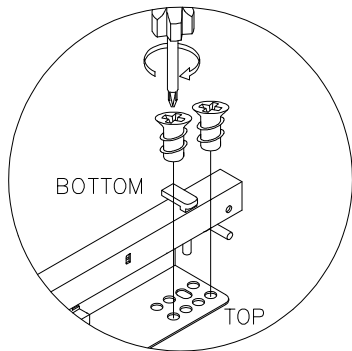
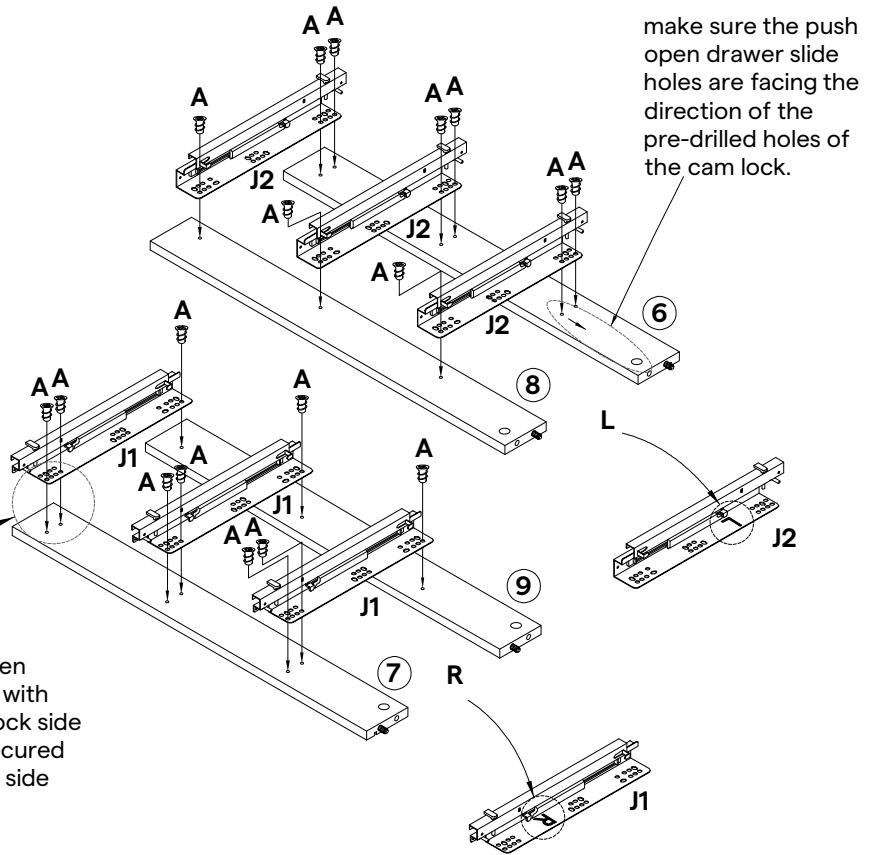
HARDWARE

- A** Screw M6 x 9 mm x18
- J1** Push Open Drawer Slide CR (300mm) x3
- J2** Push Open Drawer Slide CL (300mm) x3

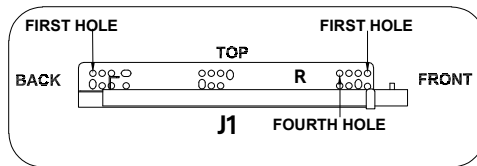
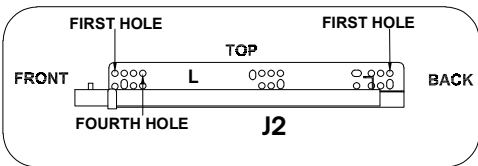
COMPONENTS

- 6** Left Side Support Panel x1
- 7** Right Side Support Panel x1
- 8** Left Side Rail Panel x1
- 9** Right Side Rail Panel x1

3.1 Attach Push Open Drawer Slide CL (J2) to Left Side Support Panel (6), Left Side Rail Panel (8) and Push Open Drawer Slide CR (J1) to Right Side Support Panel (7), Right Side Rail Panel (9) by using Screw (A).



The push open drawer slide with the button lock side should be secured on the panel side with 2 holes.

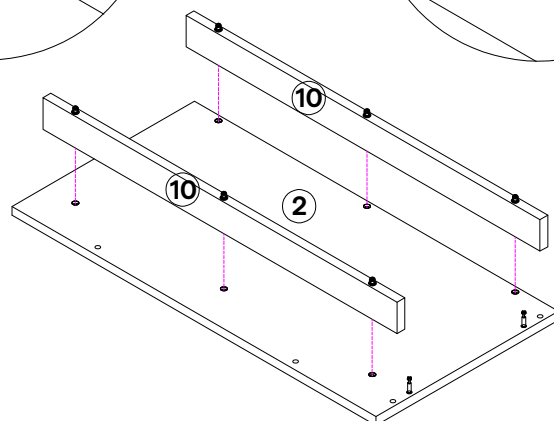
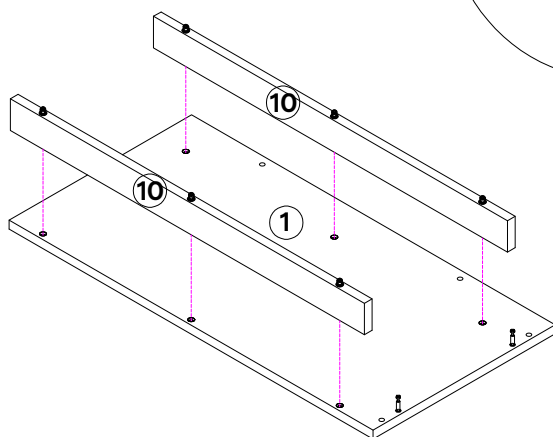
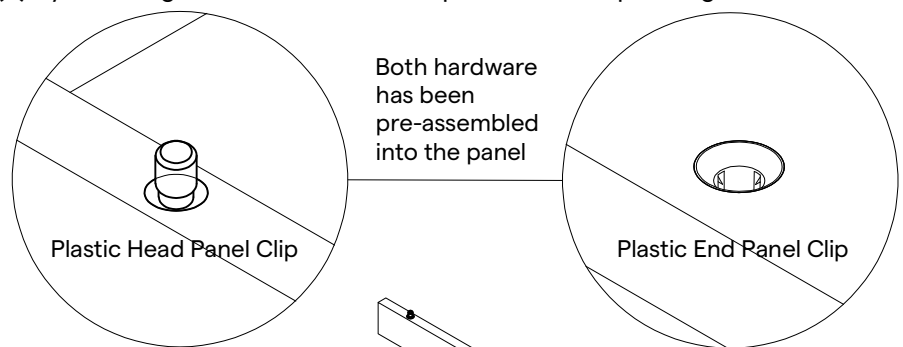


STEP 04

4.1 Connect Front Panel (10) to Left Side Panel (1) and Right Side Panel (2) by inserting Plastic Head Panel Clip to the corresponding holes.

COMPONENTS

- 1** Left Side Panel x1
- 2** Right Side Panel x1
- 10** Front Panel x4

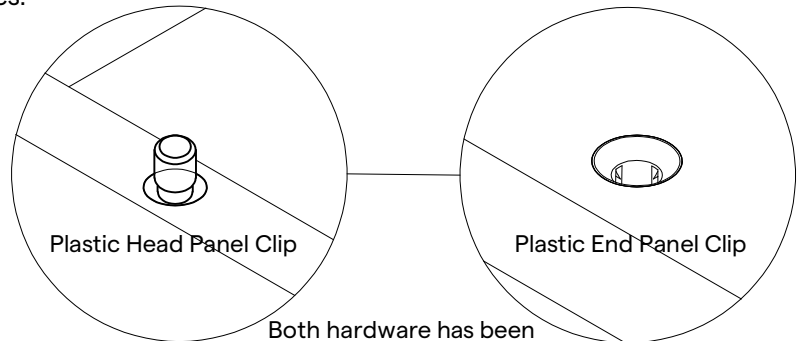


COMPONENTS

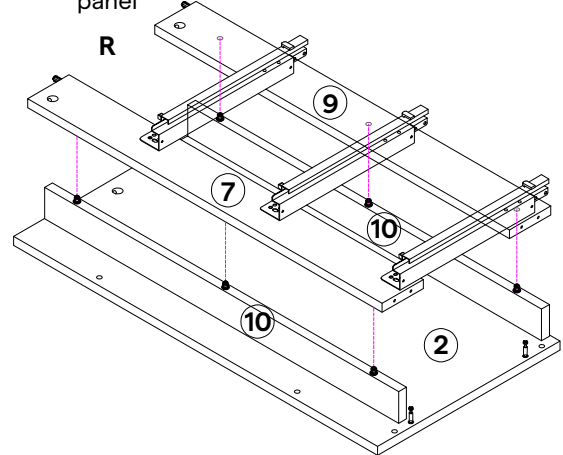
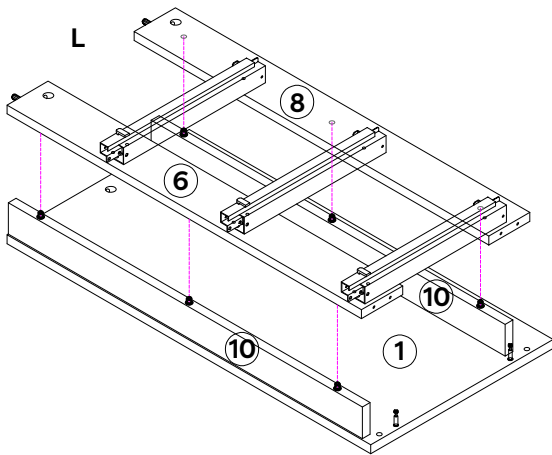
- ① Left Side Panel x1
- ② Right Side Panel x1
- ⑥ Left Side Support Panel x1
- ⑦ Right Side Support Panel x1
- ⑧ Left Side Rail Panel x1
- ⑨ Right Side Rail Panel x1
- ⑩ Front Panel x4

5.1 Connect **Left Side Support Panel (6)** and **Left Side Rail Panel (8)** to **Front Panel (10)** by connecting Plastic End Panel Clip to the corresponding holes.

5.2 Connect **Right Side Support Panel (7)** and **Right Side Rail Panel (9)** to **Front Panel (10)** by connecting Plastic End Panel Clip to the corresponding holes.



Both hardware has been pre-assembled into the panel

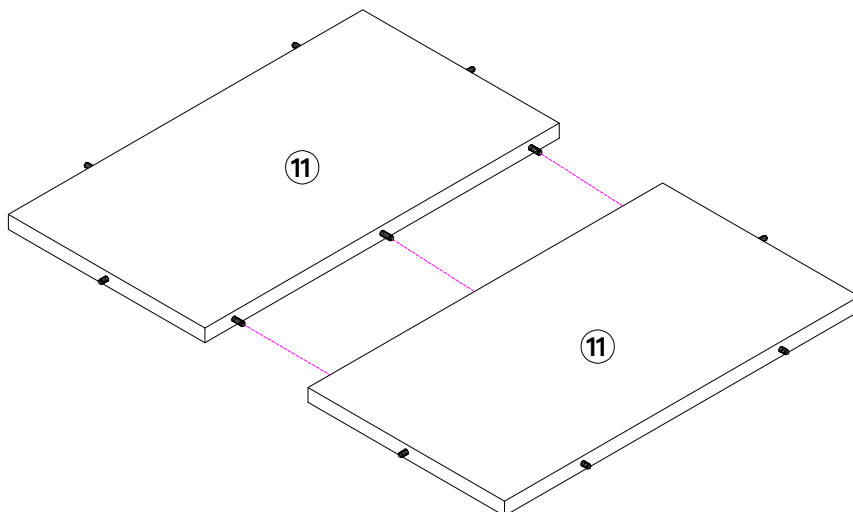


STEP 06

COMPONENTS

- ⑪ Back Panel x2

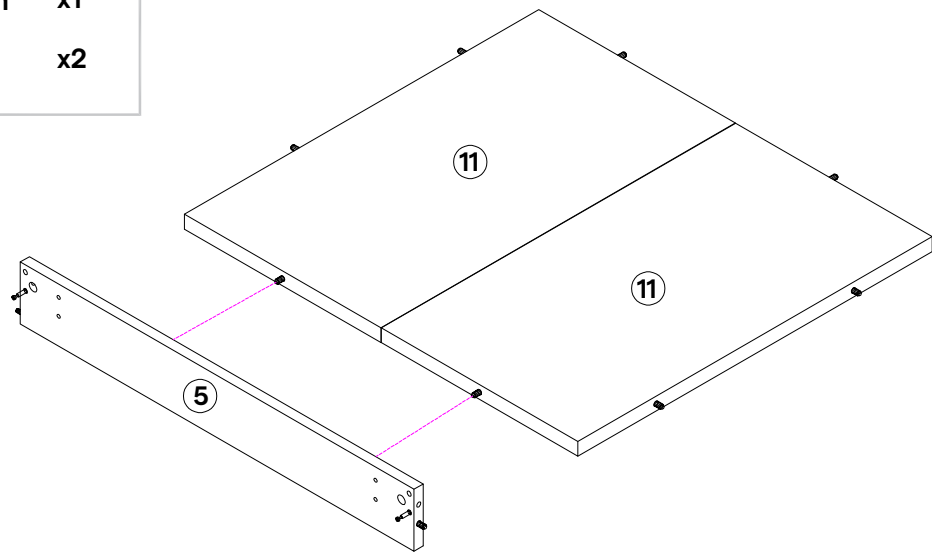
6.1 Connect **Back Panel (11)** to **Back Panel (11)** by Connecting **Wood Dowel (E)** to the corresponding holes.



COMPONENTS

- 5** Back Rail Panel Bottom x1
- 11** Back Panel x2

7.1 Connect **Back Rail Panel Bottom (5)** to the **Back Panel (11)** by connecting **Wood Dowel (D)** to the corresponding holes.



STEP 08

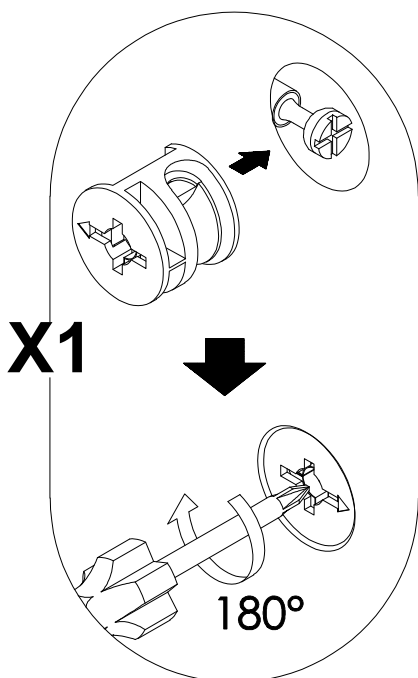
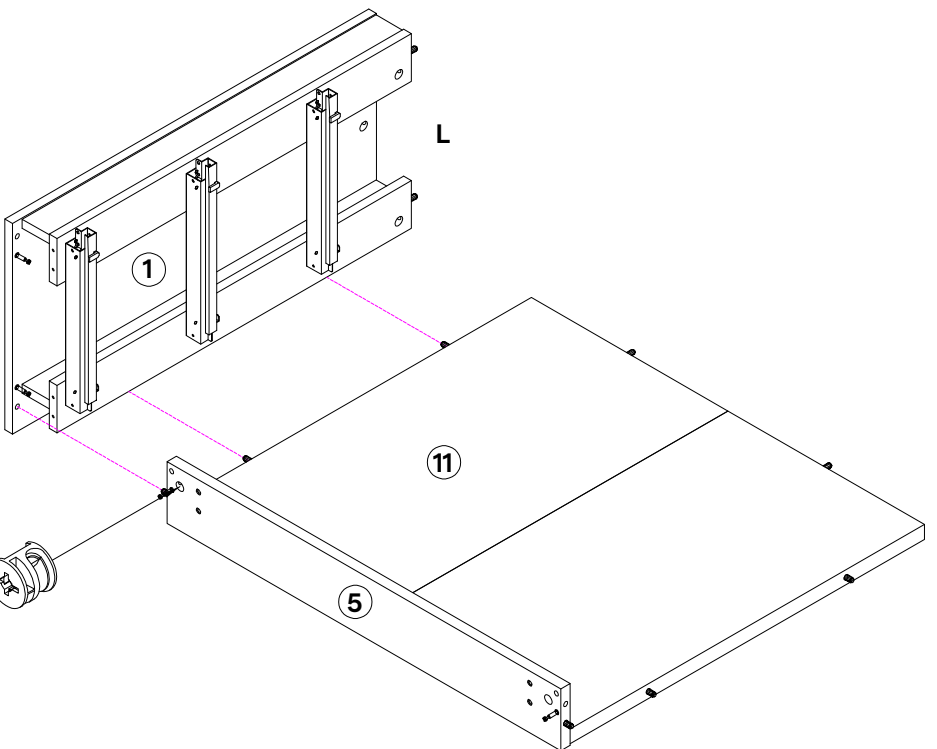
8.1 Connect **Back Panel (11)** and **Back Rail Panel Bottom (5)** to **Left Side Panel (1)** by inserting **Cam Lock (G)** to the corresponding holes.

HARDWARE

- G** Cam Lock 15/12 x1

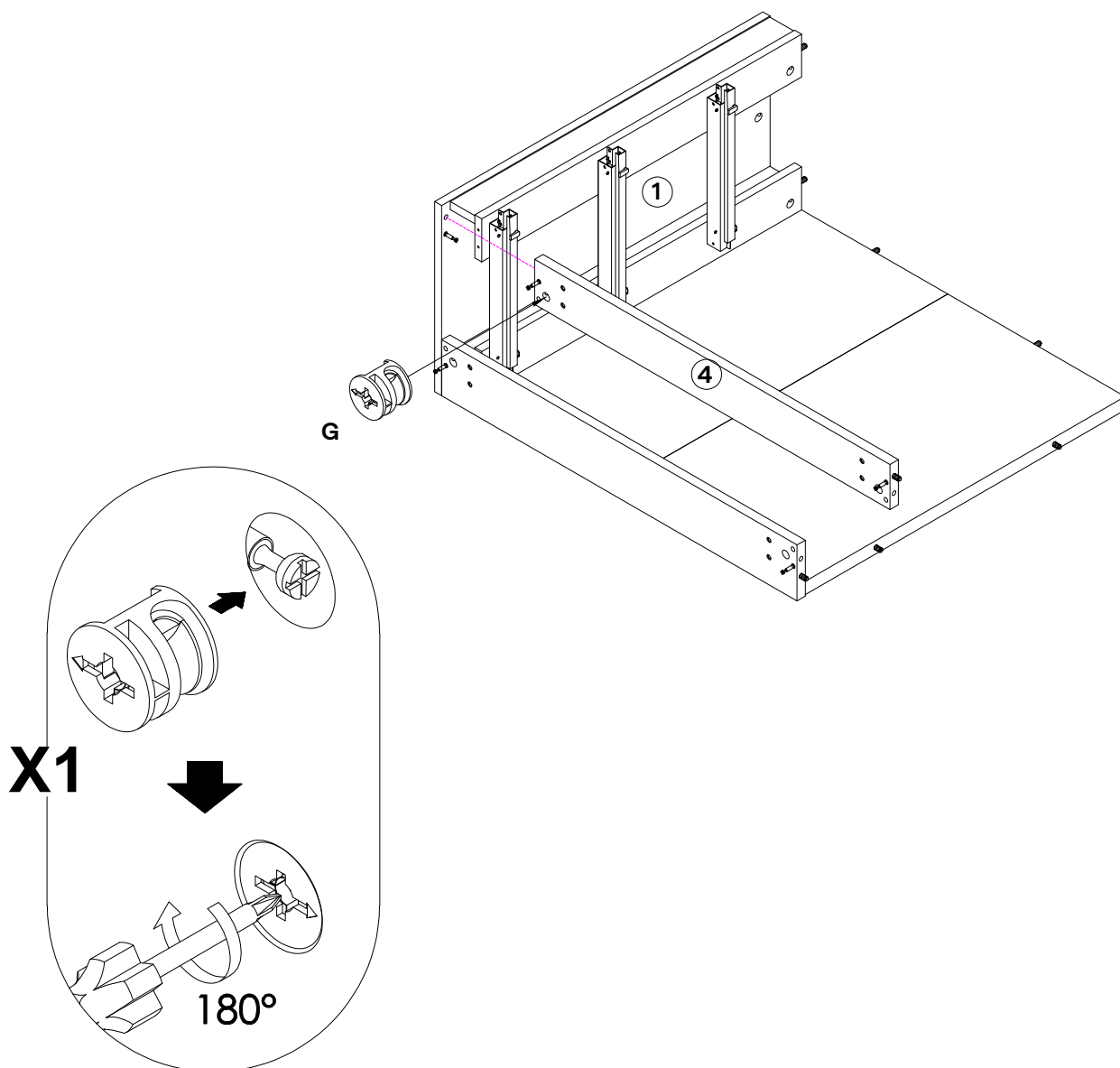
COMPONENTS

- 1** Left Side Panel x1
- 5** Back Rail Panel Bottom x1
- 11** Back Panel x1



HARDWARE**G** Cam Lock 15/12 x1**COMPONENTS****1** Left Side Panel x1**4** Front Rail Panel Bottom x1

9.1 Connect **Front Rail Panel Bottom (4)** to **Left Side Panel (1)** by inserting **Cam Lock (G)** to the corresponding holes.



HARDWARE

G Cam Lock 15/12 x2

COMPONENTS

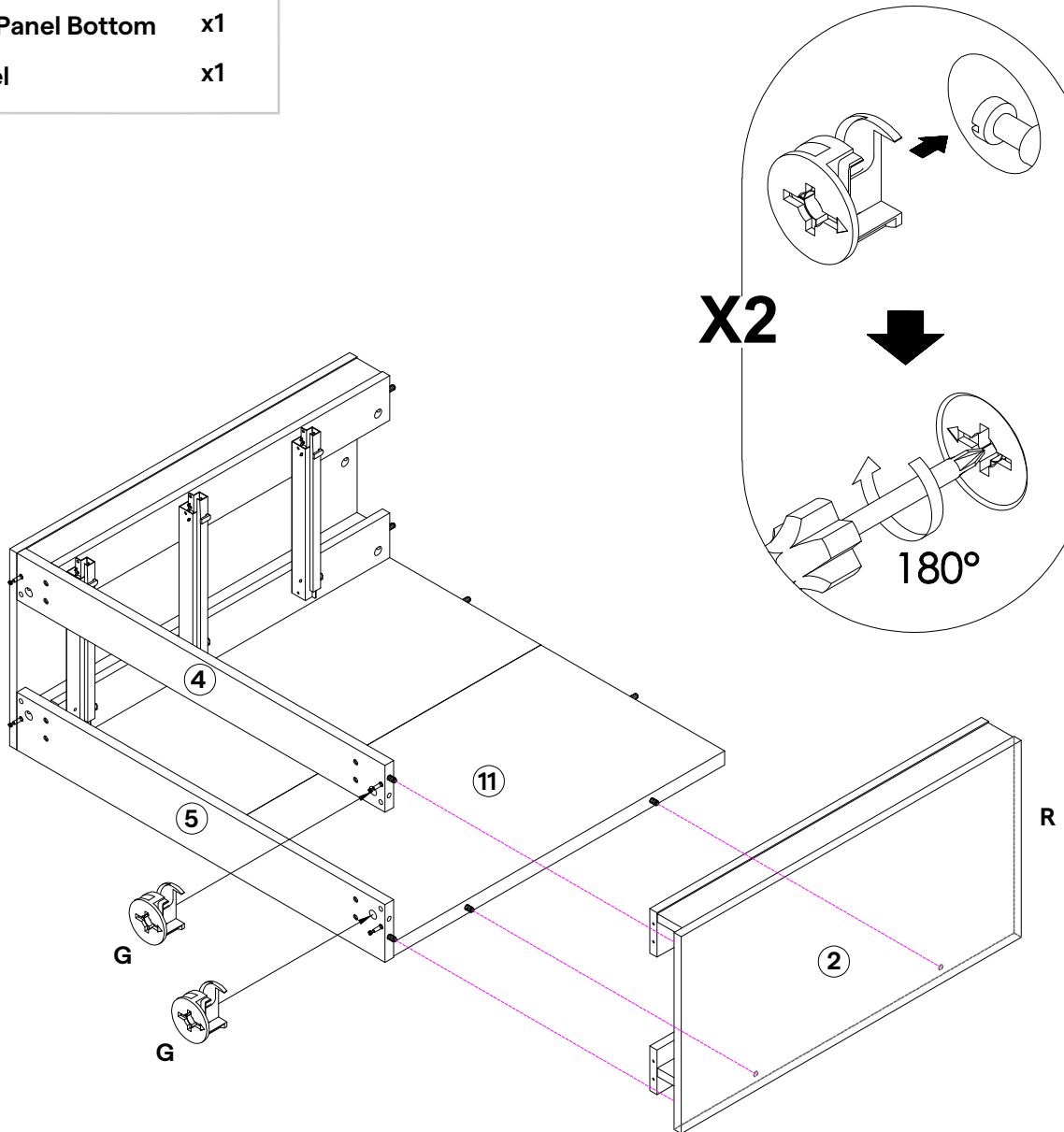
2 Right Side Panel x1

4 Front Rail Panel Bottom x1

5 Back Rail Panel Bottom x1

11 Back Panel x1

10.1 Connect **Right Side Panel (2)** to **Front Rail Panel Bottom (4)**, **Back Rail Panel Bottom (5)** and **Back Panel (11)** by inserting **Cam Lock (G)** to the corresponding holes.



HARDWARE

B Screw M6 x 40mm x8

COMPONENTS

4 Front Rail Panel Bottom x1

5 Back Rail Panel Bottom x1

6 Left Side Support Panel x1

7 Right Side Support Panel x1

8 Left Side Rail Panel x1

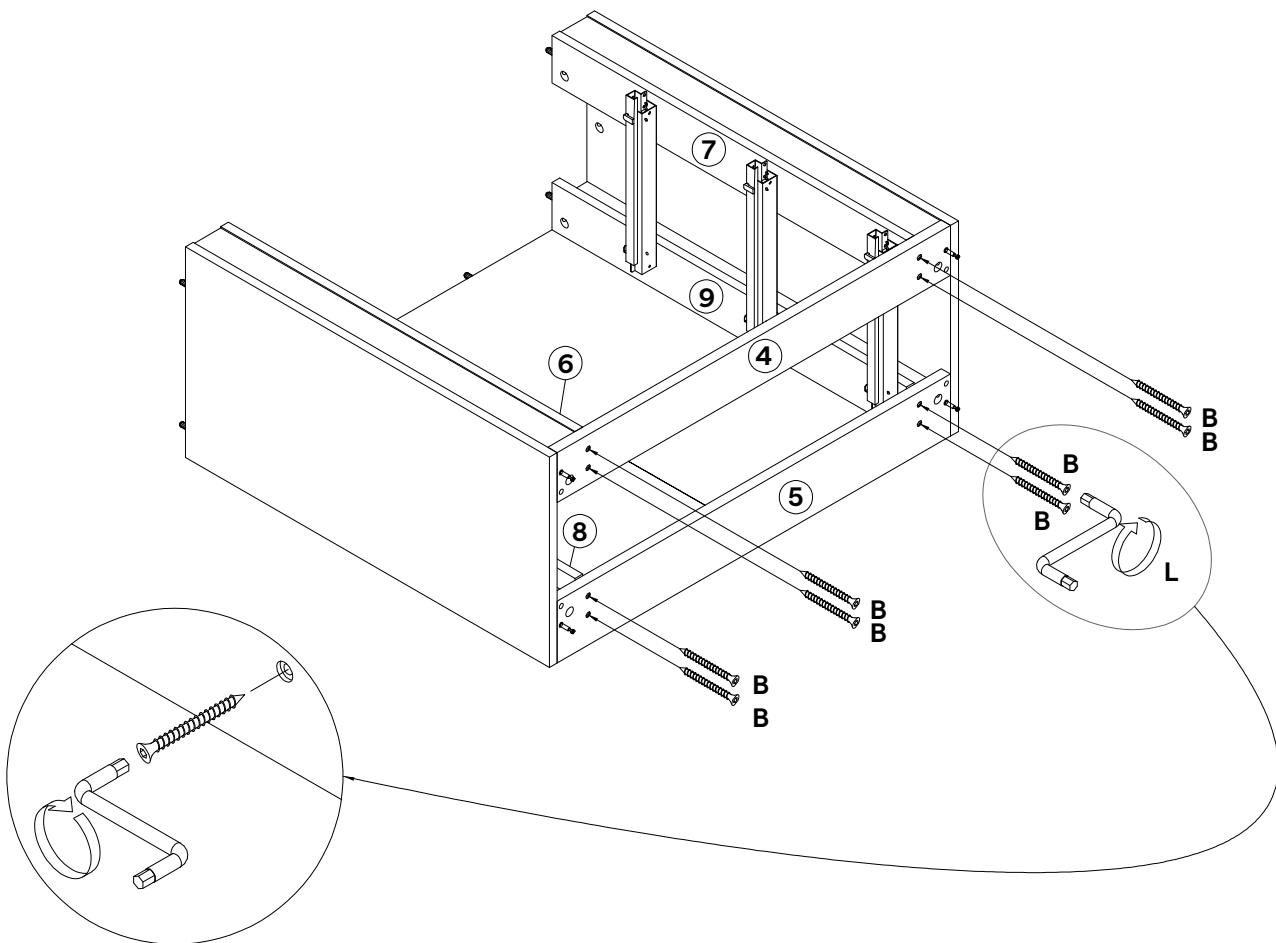
9 Right Side Rail Panel x1

TOOLS

L Allen Key

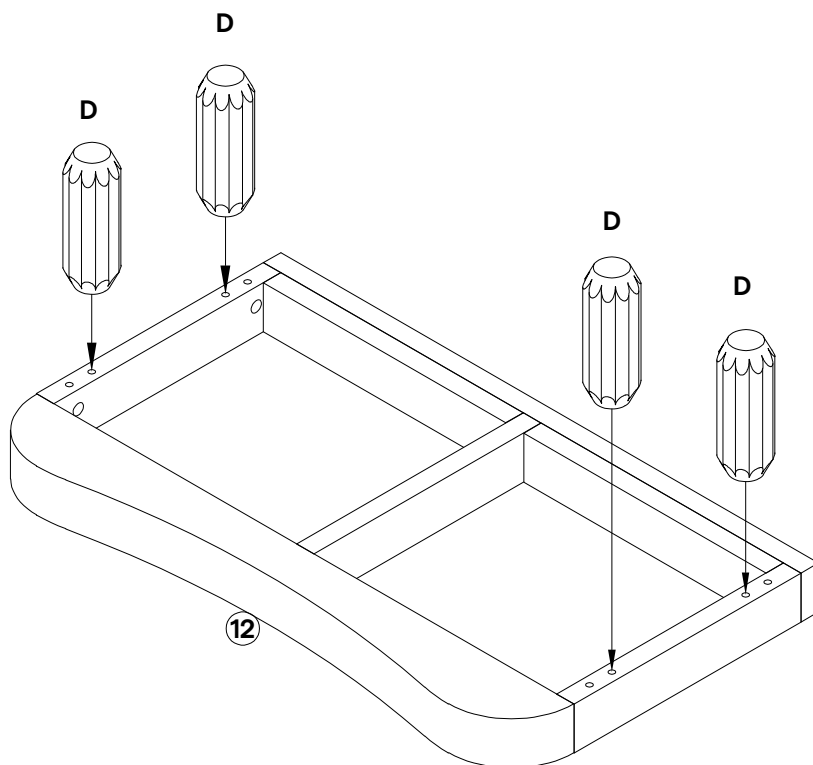
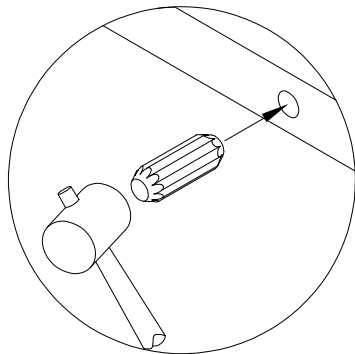
11.1 Secure **Front Rail Panel Bottom (4)** to **Left Side Support Panel (6)** and **Right Side Support Panel (7)** with **Screw (B)** using the provided **Allen Key (L)**.

11.2 Secure **Back Rail Panel Bottom (5)** to **Left Side Rail Panel (8)** and **Right Side Rail Panel (9)** with **Screw (B)** using the provided **Allen Key (L)**.



HARDWARE**D** Wood Dowel Ø8 x 25 mm x4**COMPONENTS****12** Bottom Frame x1

12.1 Insert **Wood Dowel (D)** into innermost pre-drilled holes on the top side of **Bottom Frames (12)**.



HARDWARE

G Cam Lock 15/12 x4

K Plastic Leg Stud x4

COMPONENTS

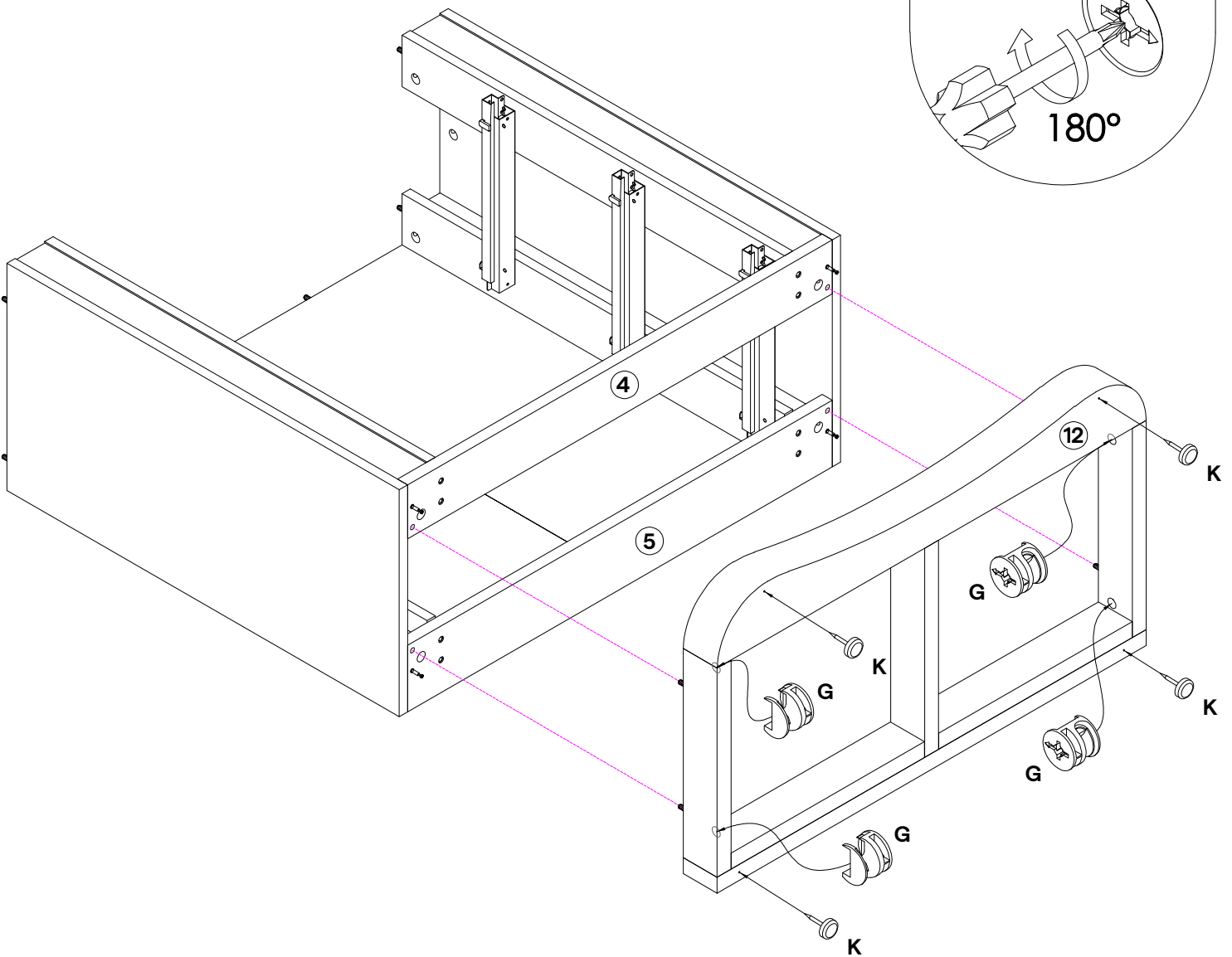
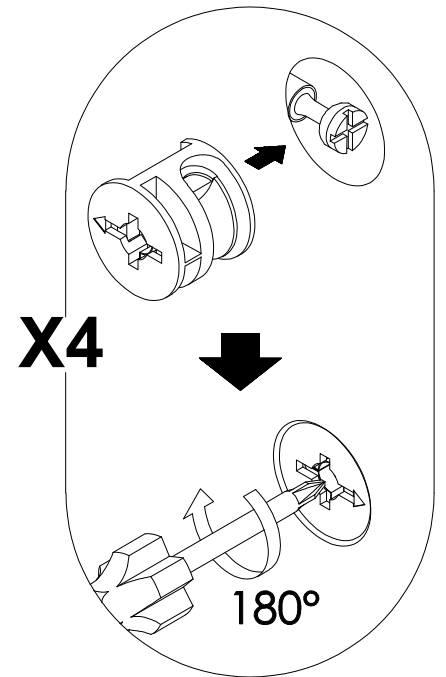
4 Front Rail Panel Bottom x1

5 Back Rail Panel Bottom x1

12 Bottom Frame x1

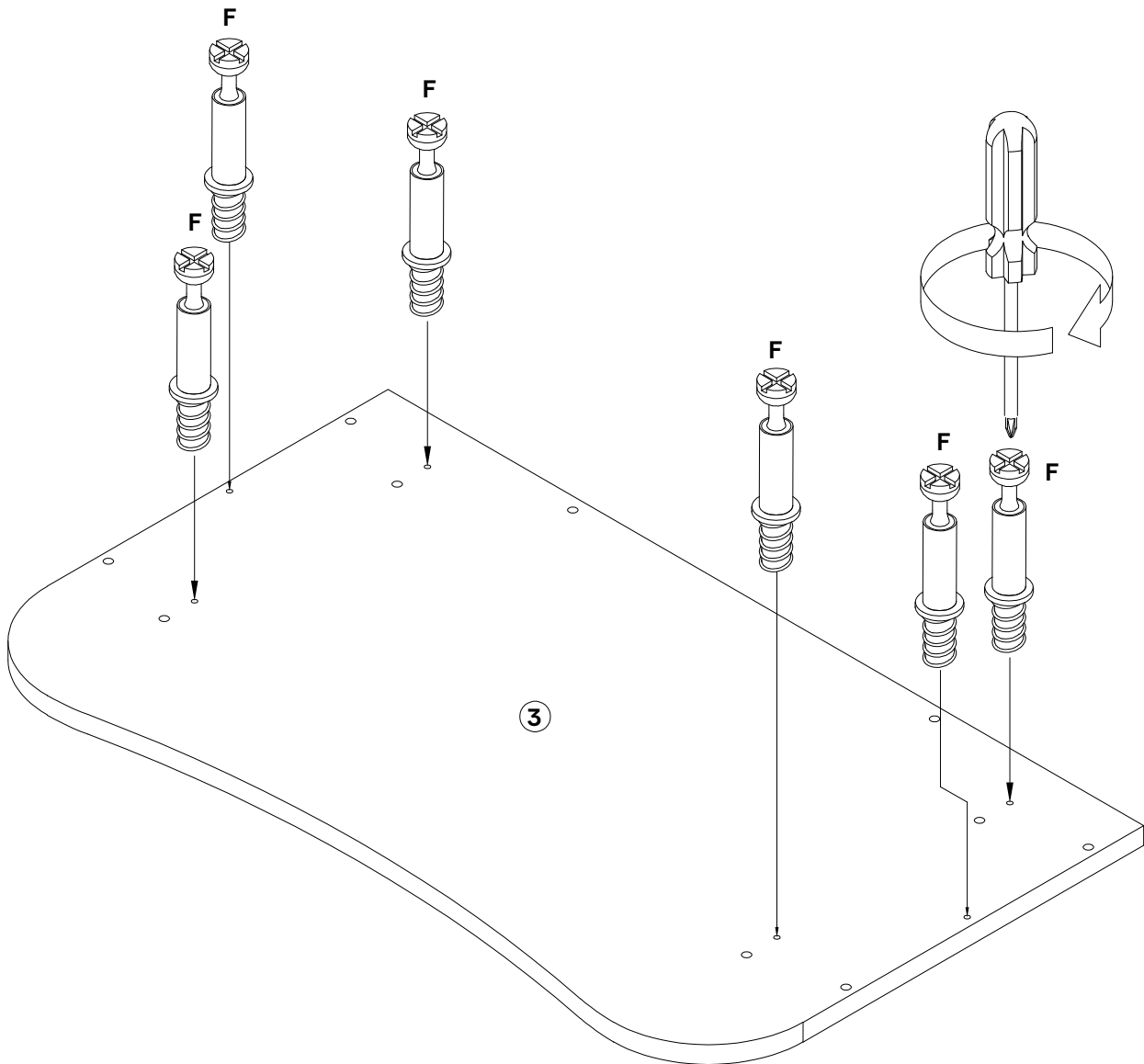
13.1 Connect **Bottom Frame (12)** to **Front Rail Panel Bottom (4)** and **Back Rail Panel Bottom (5)** by inserting **Cam Lock (G)** to the corresponding holes.

13.2 Insert **Plastic Leg Stud (K)** to the bottom side of **Bottom Frame (12)**.



HARDWARE**F** Cam Bolt 20 x 5 mm x6**COMPONENTS****3** Top Panel x1

14.1 Insert **Cam Bolt (F)** into innermost pre-drilled holes on the bottom side of **Top Panel (3)**.



HARDWARE

G Cam Lock 15/12 x6

COMPONENTS

1 Left Side Panel x1

2 Right Side Panel x1

3 Top Panel x1

6 Left Side Support Panel x1

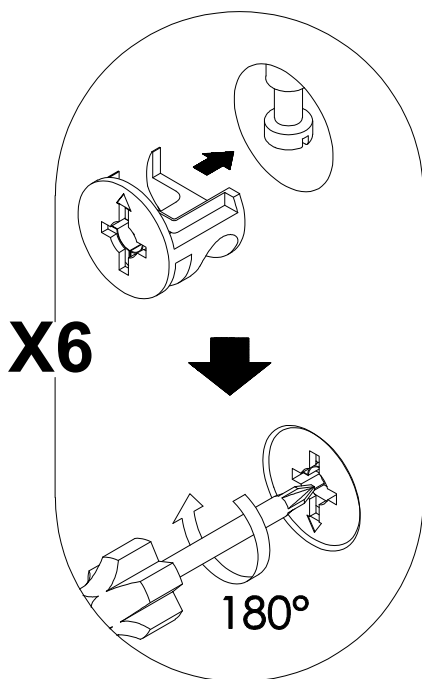
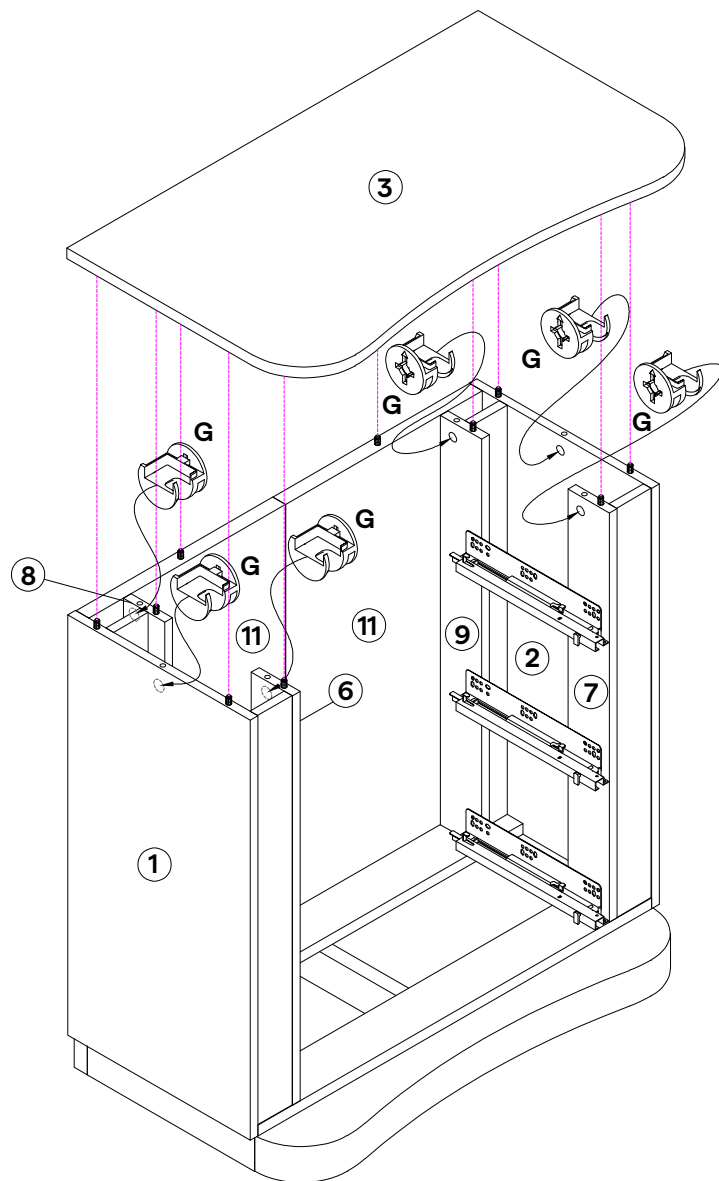
7 Right Side Support Panel x1

8 Left Side Rail Panel x1

9 Right Side Rail Panel x1

11 Back Panel x2

15.1 Connect **Top Panel (3)** to **Left and Right Side Panel (1 and 2)**, **Left Side Support Panel (6)**, **Right Side Support Panel (7)**, **Left Side Rail Panel (8)**, **Right Side Rail Panel (9)** and **Back Panel (11)** by inserting **Cam Lock (G)** to the corresponding holes.



HARDWARE

C Wood Dowel Ø6 x 20mm x12

F Cam Bolt 20 x 5mm x18

COMPONENTS

13 Front Drawer x3

14 Left Drawer Side x3

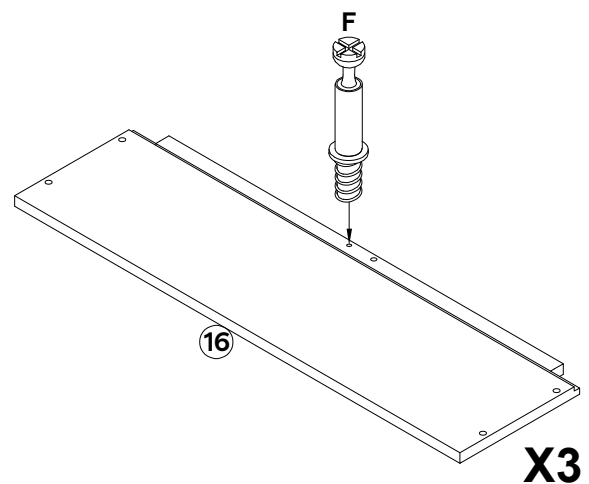
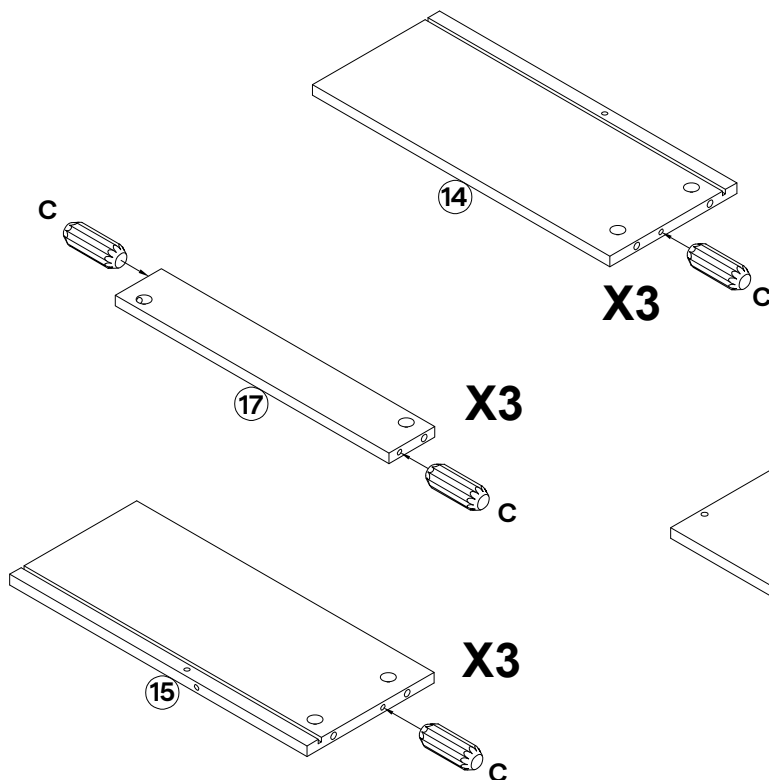
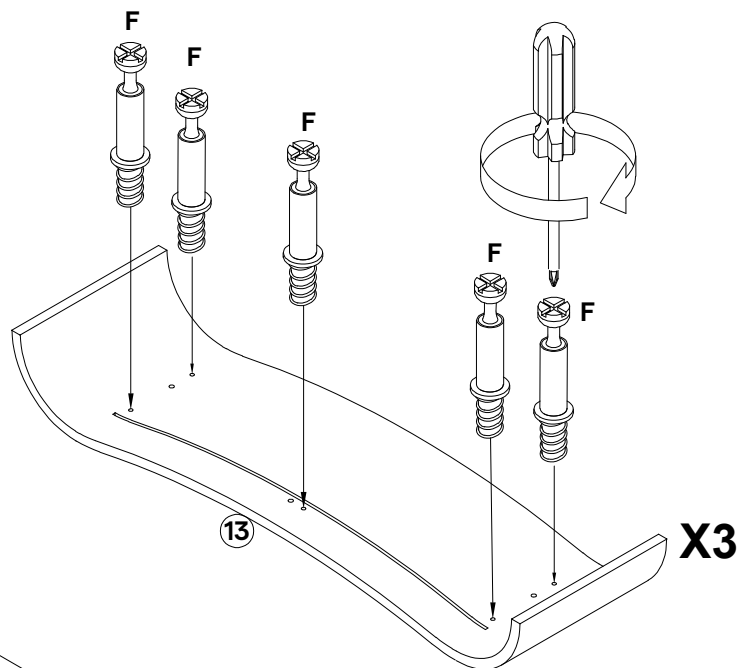
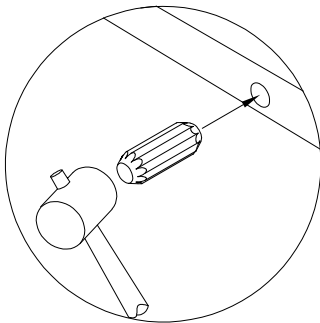
15 Right Drawer Side x3

16 Drawer Back x3

17 Drawer Support x3

16.1 Insert **Wood Dowel (C)** into the innermost pre-drilled holes on the left edge of each **Left Drawer Side (14)** and **Right Drawer Side (15)**, front and back edge of **Drawer Support (17)**.

16.2 Insert five **Cam Bolt (F)** into the innermost pre-drilled holes of each **Front Drawer (13)** and insert one **Cam Bolt (F)** each into the innermost pre-drilled holes of each front side **Drawer Back (16)**.



HARDWARE

H Cam Lock 15/10 x15

COMPONENTS

13 Front Drawer x3

14 Left Drawer Side x3

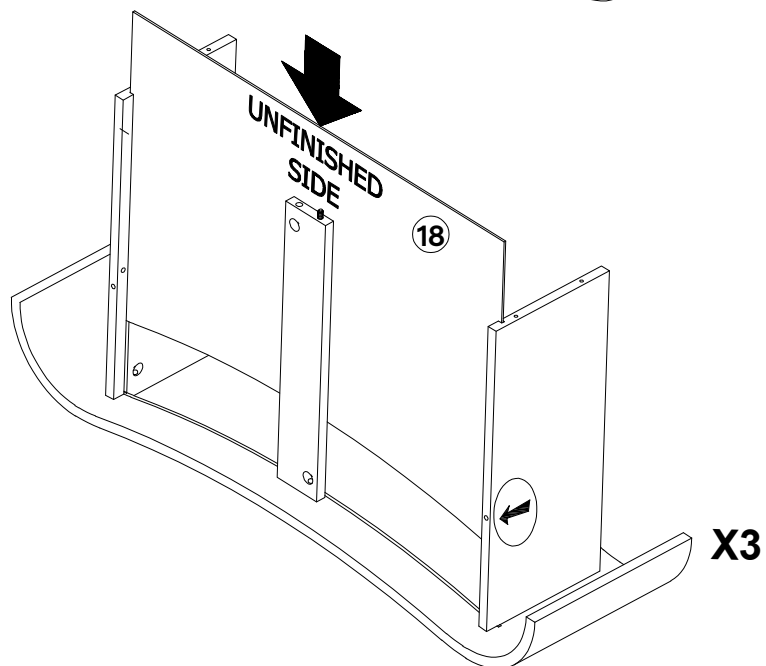
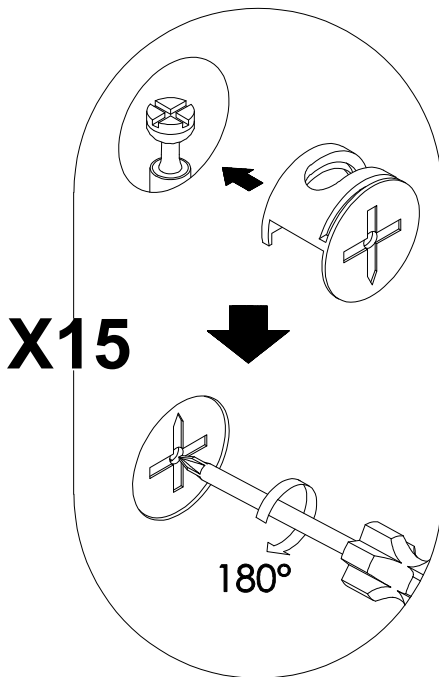
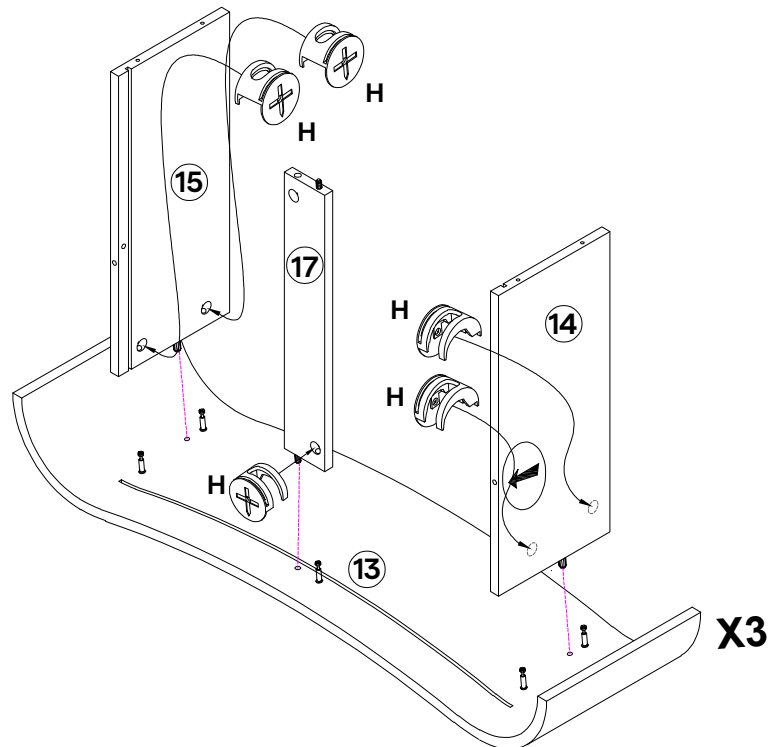
15 Right Drawer Side x3

17 Drawer Support x3

18 Drawer Bottom x3

17.1 Connect each **Left and Right Drawer Side (14 and 15)**, **Drawer Support (17)** to each **Front Drawer (13)** by connecting **Wood Dowel (C)** to the corresponding holes and inserting **Cam Lock (H)** to the corresponding holes.

17.2 Slot each **Drawer Bottom (18)** into the drawer body.



HARDWARE

B Screw M6 x 40 mm x12

H Cam Lock 15/10 x3

COMPONENTS

14 Left Drawer Side x3

15 Right Drawer Side x3

16 Drawer Back x3

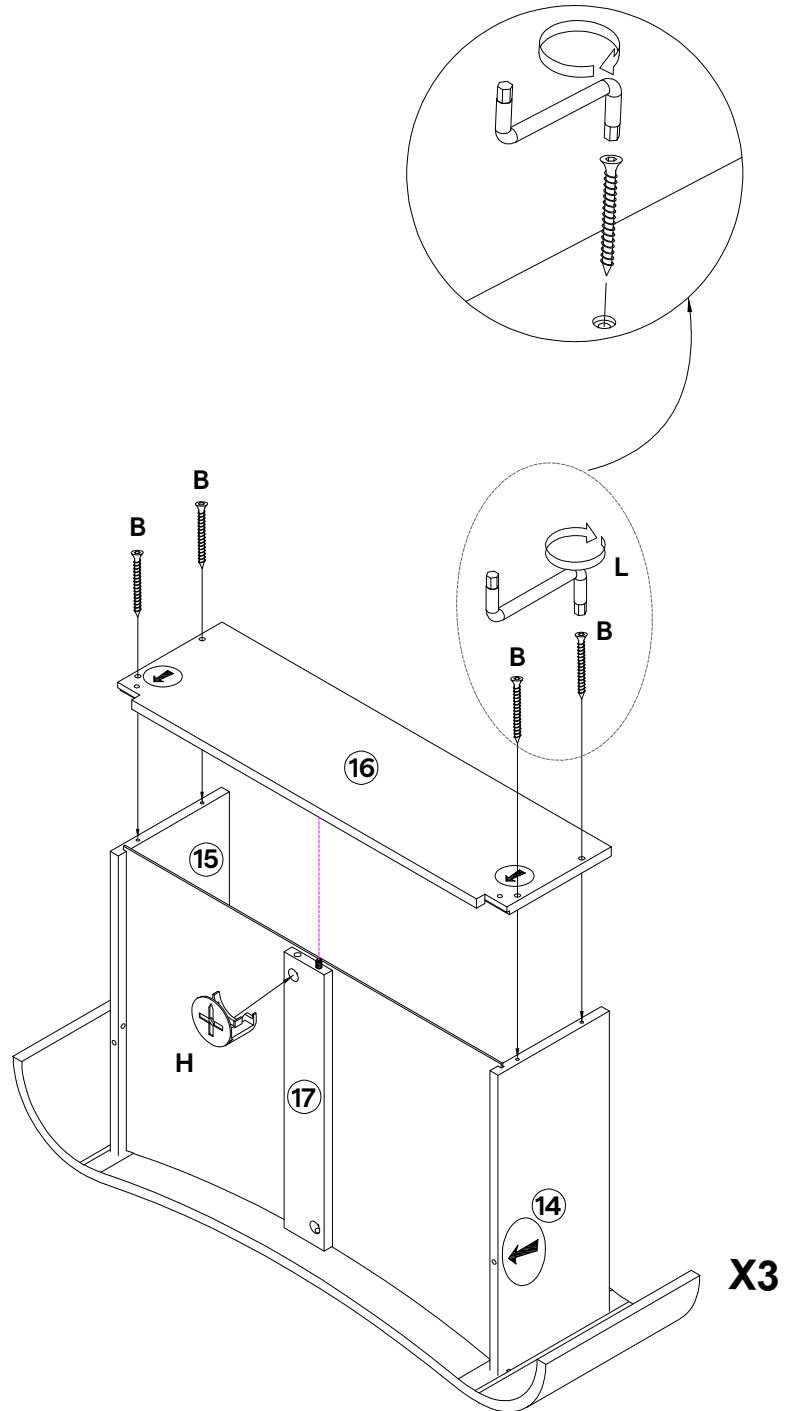
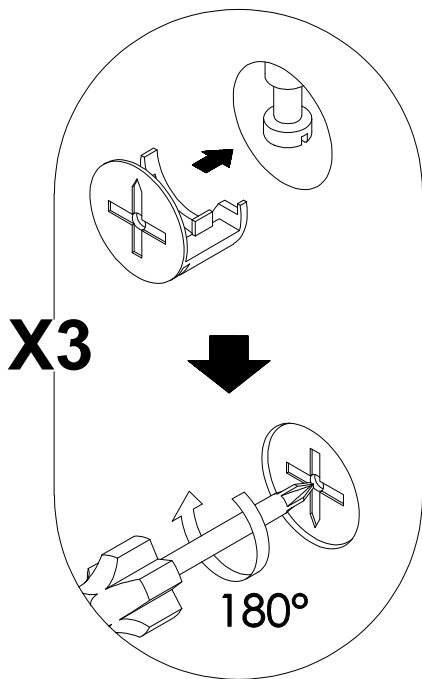
17 Drawer Support x3

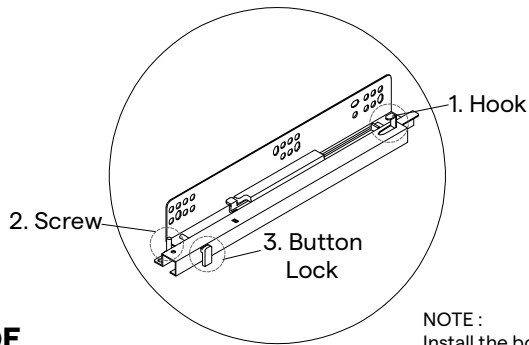
TOOLS

L Allen Key

18.1 Secure each **Drawer Back (16)** to **Right Drawer Side (15)**, **Left Drawer Side (14)** and **Drawer Support (17)** using the provided **Allen Key (L)**.

18.2 Insert **Cam Lock (H)** into the innermost pre-drilled holes on the bottom side of each **Drawer Support (17)**.

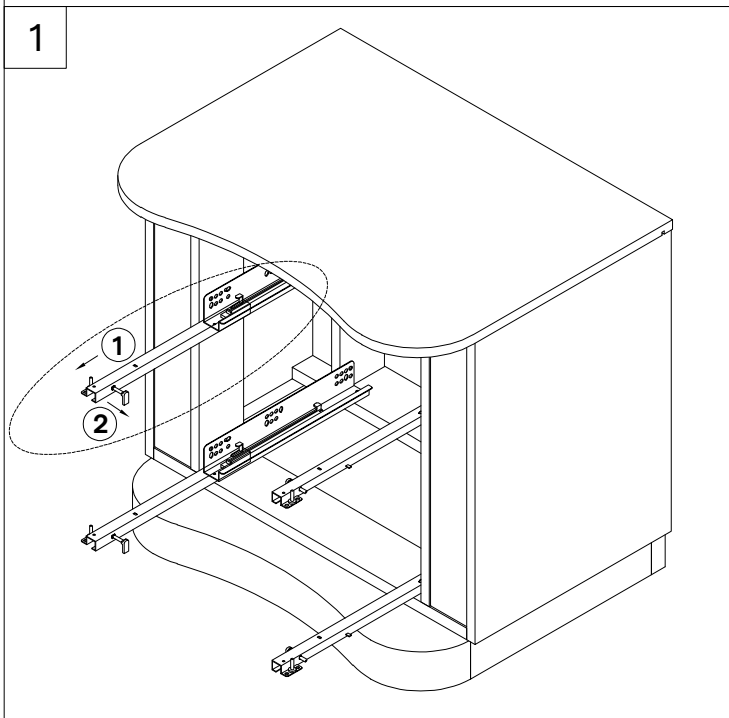




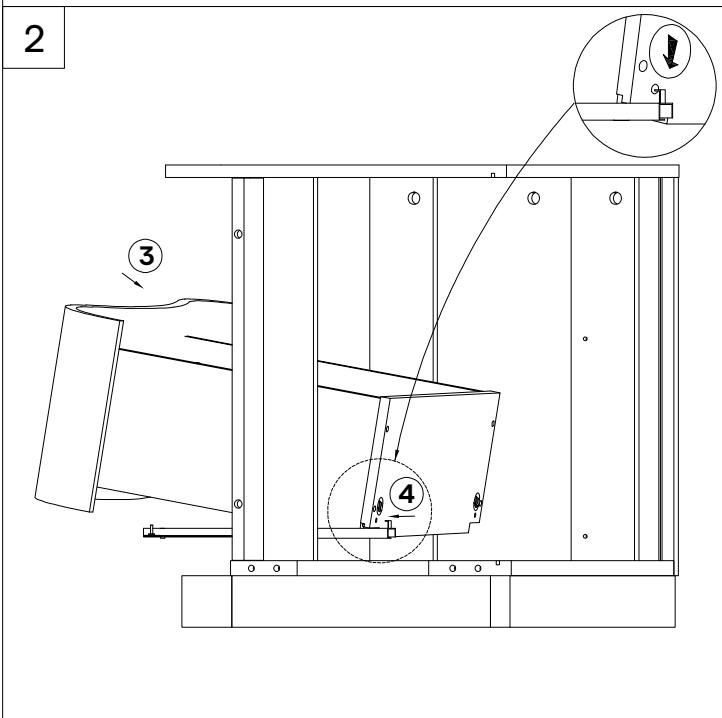
NOTE :
Install the bottom drawer first to make the drawer installation easier.

DRAWER INSTALLATION GUIDE

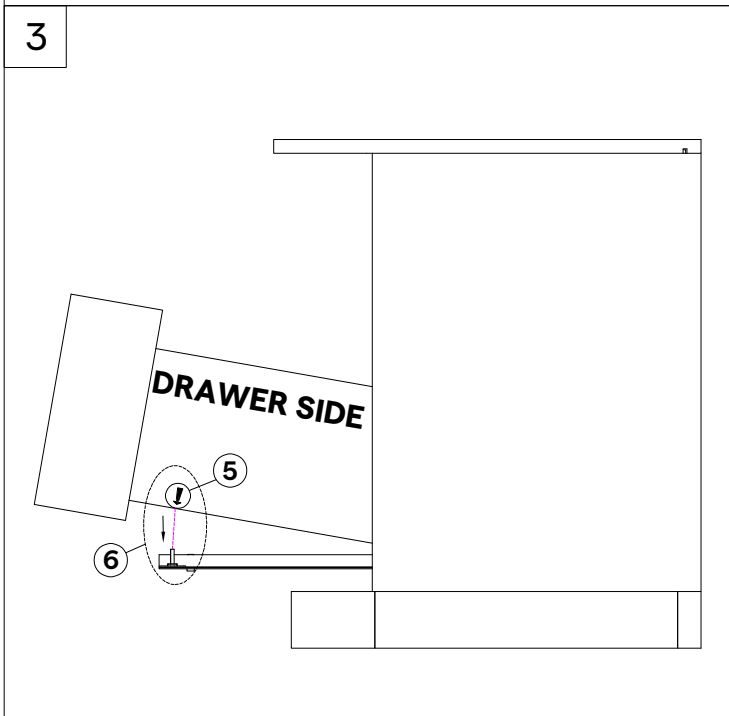
1. Push and slide out the drawer slide.
2. Unlock the blue colored drawer slide lock.



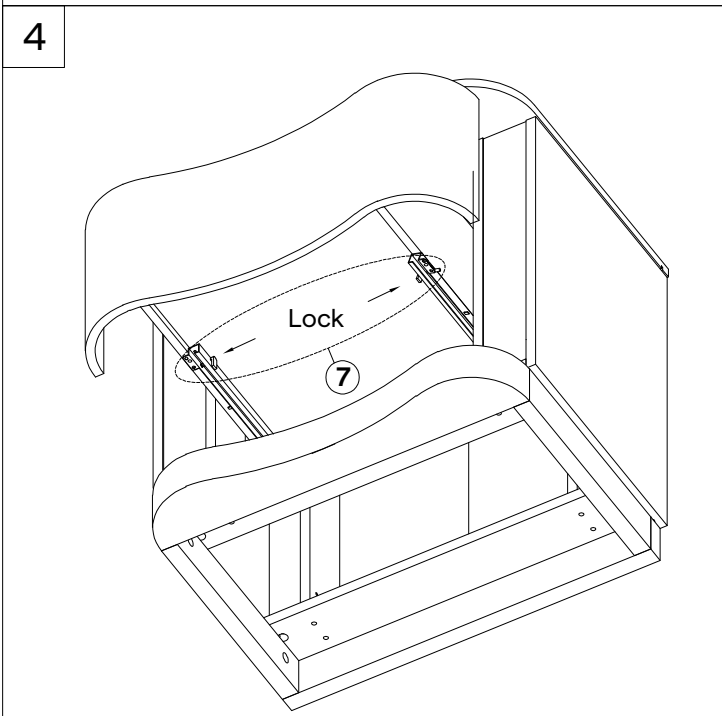
3. Insert the drawer box on the drawer slide.
4. Make sure the back hook of the drawer slide is fitting into the hole at the back of the drawer box right below the arrow sticker.

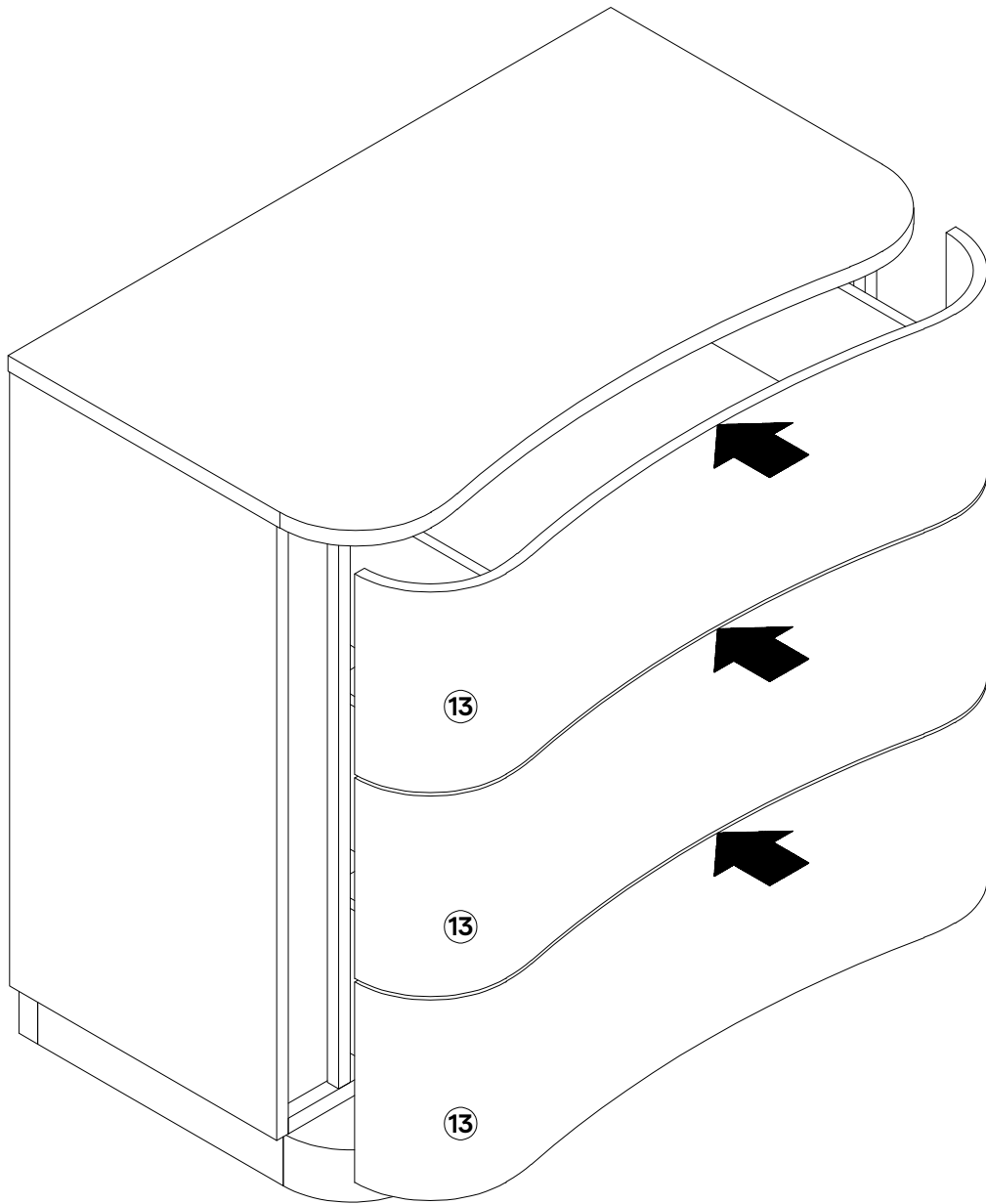


5. The hole for securing the drawer can be found on the bottom side of the side drawer panel below the arrow sticker.
6. Insert the drawer hole into the drawer slide pin by aligning the hole and the pin right below the arrow sticker.



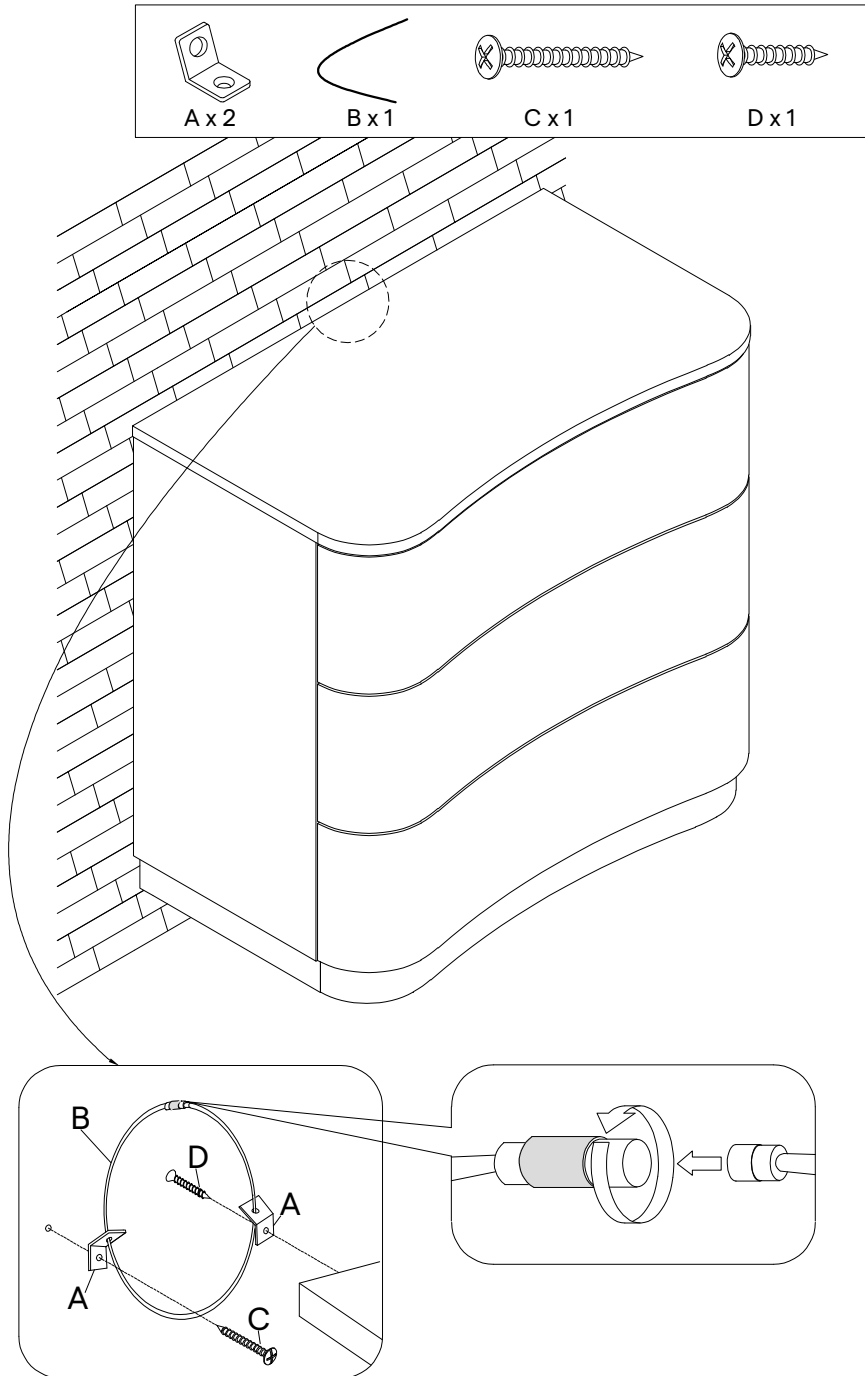
7. Secure the drawer slide to the drawer by pushing the blue colored lock mechanic on the drawer slide.





TIPPING RESTRAINTS KIT INSTALLATION GUIDANCE

This tipping restraint is not an earthquake restraint. If you wish to add the extra security of earthquake restraints, they must be purchased and installed separately.



Installation Instructions :

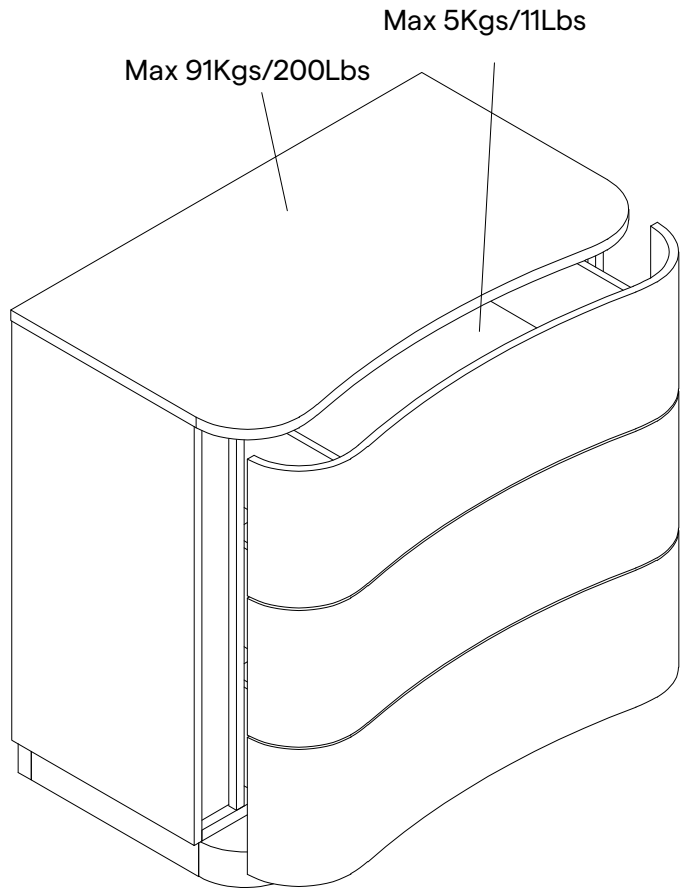
1. Determine where the furniture is to be placed and find the center line of a wooden stud using a stud finder.
2. Drill a 1/8" pilot hole on the wooden stud approximately 3" below the height of unit top.
3. Attach one bracket (A) securely with screw (C) into the pilot hole on the wall.
4. Position the furniture in place and attach the other bracket (A) with screw (D) to the back edge of unit top in line with the bracket (A) on the wall.
5. Put the male end of the steel cable (B) through each bracket. Securely connect both ends together by turning the female connector clockwise.

Great job!

Your drawer chest assembly is complete.

CARING FOR YOUR ITEM

- Indoor use only.
- Not contract grade.
- Clean using a non-abrasive cloth and a mild cleaner.
- Never use harsh chemicals, as they could damage the finish or integrity of the item.



CONNECT WITH US!

Tag us [@modway_furniture](#) and [#modway](#) for a chance to be featured.

modway



Questions? Contact us!

609.256.9000
cs@modway.com