

JRS06BJ

GE® 24" Built-In Single Oven

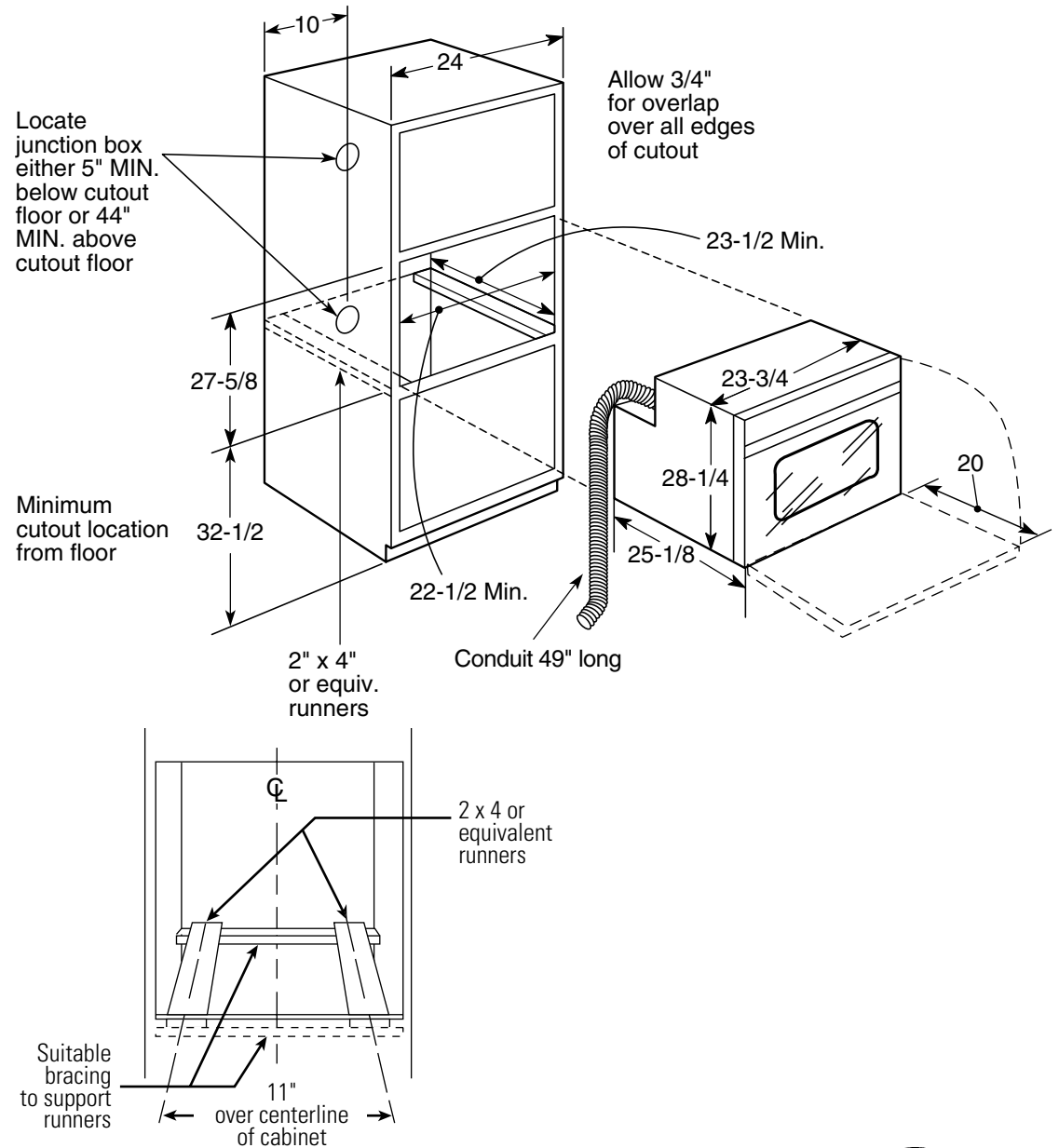
Dimensions and Installation Information (in inches)

| KW Rating | |
|--------------|-----|
| 240V | 3.4 |
| 208V | 2.6 |
| Breaker Size | |
| 20 Amps† | |

†Check local codes for required breaker size.

Note: Cabinets installed adjacent to wall ovens must have an adhesion spec of at least 194° temperature rating. This model is NOT approved for stackable or side-by-side installation.

Installation information: Before installing, consult installation instructions packed with product for current dimensional data.



imagination at work

For answers to your Monogram® or GE® appliance questions, visit our website at geappliances.com or call GE Answer Center® service, 800.626.2000.



Listed by Underwriters Laboratories

Specification Revised 3/13

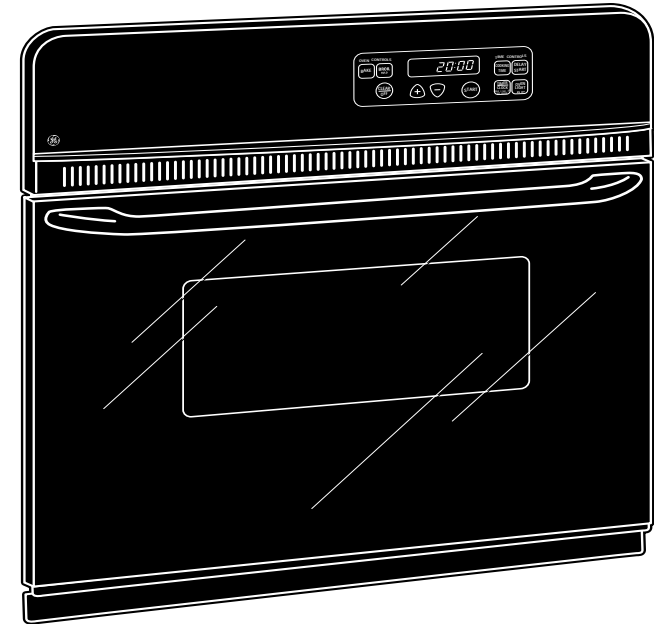
320300

JRS06BJ

GE® 24" Built-In Single Oven

Features and Benefits

- Electronic oven controls – One-touch electronic pads are easy-to-use and allow for simple oven operation
- Clear View window – Provides a convenient viewing area to check the progress of food
- Interior oven light – Supplies light to make viewing the progress of cooking easy and convenient
- Two oven racks – Feature a durable construction to help accommodate any size or type of cookware
- Multiple oven rack positions – Deliver flexibility and allow consumers to make the most of available oven capacity
- Frameless glass oven door – Offers an easy-to-clean and stylish design that blends seamlessly into existing cabinetry
- Audible preheat signal – Features an audible signal that activates when the oven has reached the desired cooking temperature
- Certified Sabbath mode – Prepared foods stay warm in accordance with kosher law
- Model JRS06BJBB - Black on black



imagination at work