

# 36-Inch Built-In French Door Refrigerator



DRF365300AP/DA — Panel ready

## Features & Benefits

- Metal Cooling™ stainless steel back interior
- LED 3D Lighting
- FreshZone™ drawer
- Icemaker with crescent ice
- Hidden Touch Control Panel with SmartThings Wi-Fi control
- Internal water dispenser
- R600a refrigerant
- Panel ready

## Weights & Dimensions

<b>NET WEIGHT (LBS)</b>	518
<b>SHIPPING WEIGHT (LBS)</b>	601
<b>PRODUCT DIMENSIONS (W X H X D IN INCHES)</b>	35 3/4 x 83 3/8 x 25
<b>FLUSH CUTOUT REQUIRED (W X H X D IN INCHES)</b>	36 x 84 x 25

## Technical Details

<b>ELECTRICAL REQUIREMENTS</b>	115V, 60 Hz, 15A
--------------------------------	------------------

## Warranty

<b>FULL COVERAGE</b>	2 years
<b>SEALED SYSTEM, PARTS &amp; LABOR</b>	6 years
<b>SEALED SYSTEM, PARTS ONLY (COMPRESSOR INCLUDED)</b>	10 years

## Controls

<b>CONTROL TYPE</b>	Easy reach hidden Glass-Touch
<b>WI-FI + SMARTTHINGS</b>	Yes
<b>SABBATH MODE</b>	Yes

## Features

<b>TOTAL CAPACITY (CU. FT.)</b>	21.3
<b>PUSH-TO-OPEN</b>	No
<b>WATER DISPENSER</b>	Internal water dispenser
<b>ICEMAKER</b>	Standard ice
<b>IQ REMOTE VIEW™ CAMERA</b>	No
<b>DEODORIZING FILTER</b>	Yes
<b>LED LIGHTING</b>	3D Lighting
<b>INTERIOR MATERIAL</b>	Metal Cooling™ (Stainless steel back wall)
<b>DIGITAL INVERTER COMPRESSOR</b>	Yes
<b>REFRIGERANT</b>	R600a
<b>CRISPER DRAWERS</b>	2
<b>FREEZER DRAWERS</b>	2
<b>DOOR BINS</b>	6
<b>SHELVES</b>	2 x full width, 2 x adjustable
<b>DOOR ALARM</b>	Yes

## Refrigerator

<b>REFRIGERATOR CAPACITY (CU. FT.)</b>	14.5
<b>REFRIGERATOR TEMPERATURE</b>	34°F to 44°F
<b>FRESHZONE™ DRAWER TEMPERATURE</b>	29°F, 33°F, 37°F
<b>POWER COOL</b>	Yes
<b>FRESHZONE™ DRAWER</b>	Yes

## Freezer

<b>FREEZER CAPACITY (CU. FT.)</b>	6.8
<b>FREEZER TEMPERATURE</b>	-8°F to 5°F
<b>POWER FREEZE</b>	Yes

## Accessories (Optional)

Please see page 16 of Reference Guide for a full list of accessories

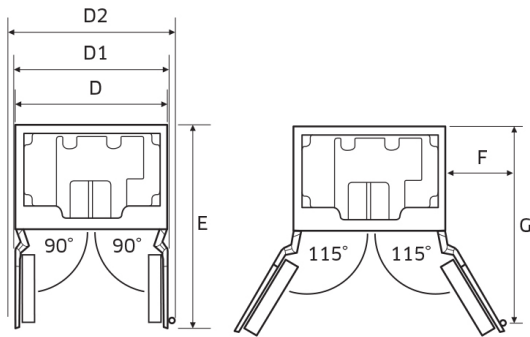
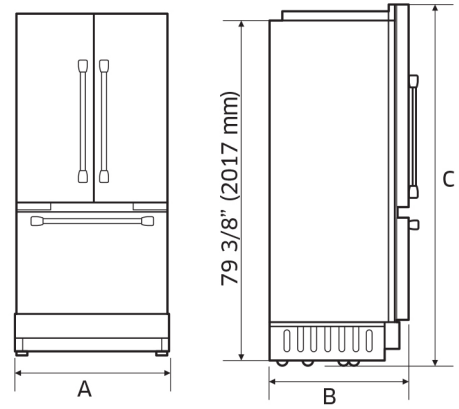
<b>RAF36AMAASR/DA</b>	36" 3-Door Built-In French Door Refrigerator panel kit, Silver Stainless
<b>RAF36AMAAMS/DA</b>	36" 3-Door Built-In French Door Refrigerator panel kit, Graphite Stainless
<b>RAC00WFAAAA/DA</b>	Water filter for refrigeration
<b>RAC00DFAAAA/DA</b>	Air filter for refrigeration DRF/DRR/DRW, set of 6

# 36-Inch Built-In French Door Refrigerator



## Product Dimensions

<b>A - WIDTH (IN/MM)</b>	35 3/4 / 908
<b>B - WITH PANEL (IN/MM)</b>	25 / 635
<b>C - HEIGHT (IN/MM)</b>	83 3/8 / 218
<b>D - (IN/MM)</b>	35 5/8 / 905
<b>D1 - WITH PANEL (IN/MM)</b>	38 1/16 / 967
<b>D2 - WITH MODERNIST HANDLE (IN/MM)</b>	43 19/32 / 1107
<b>E - (IN/MM)</b>	44 7/8 / 1140
<b>F - (IN/MM)</b>	20 9/16 / 496
<b>G - (IN/MM)</b>	44 / 1118



## Installation Cutout Dimensions

<b>A - WIDTH (IN/MM)</b>	36 / 914
<b>B - DEPTH (IN/MM)</b>	25 / 635
<b>C - HEIGHT (IN/MM)</b>	84 / 2134
<b>D - (IN/MM)</b>	26 / 660
<b>E - (IN/MM)</b>	80 / 2032

